



US00D902210S

(12) **United States Design Patent** (10) **Patent No.:** **US D902,210 S**  
**Jensen et al.** (45) **Date of Patent:** **\*\* Nov. 17, 2020**

(54) **ELECTRONIC BASE STATION**  
(71) Applicant: **JACOB JENSEN DESIGN A/S**,  
Hoejslev (DK)  
(72) Inventors: **Timothy Jacob Jensen**, Hoejslev (DK);  
**Danny Li**, Shanghai (CN); **Marina**  
**Lothigius**, Shanghai (CN)  
(73) Assignee: **JACOB JENSEN DESIGN A/S** (DK)

D352,277 S 11/1994 Olsen  
D363,701 S 10/1995 Paquette et al.  
6,089,878 A 7/2000 Meng  
D438,186 S 2/2001 Rodgers et al.  
D463,388 S 9/2002 Thomsen  
D465,660 S \* 11/2002 Doeing ..... D19/90  
D482,653 S \* 11/2003 Cho ..... D13/110  
D503,397 S 3/2005 Stevens et al.  
D514,526 S 2/2006 Chen et al.  
D519,918 S \* 5/2006 Wilson ..... D13/103  
7,220,128 B1 5/2007 Hicks

(Continued)

(\*\*) Term: **15 Years**

(21) Appl. No.: **29/650,955**

(22) Filed: **Jun. 11, 2018**

(51) **LOC (12) Cl.** ..... **14-99**

(52) **U.S. Cl.**

USPC ..... **D14/433**; D14/240; D14/358

(58) **Field of Classification Search**

USPC ..... D14/240, 242, 356, 357, 358, 378, 383,  
D14/384, 385, 386, 433, 434, 435.1,  
D14/480.1, 480.4, 480.5, 439, 453, 496,  
D14/168, 170, 171, 172; D13/103, 107,  
D13/108, 110, 146; D18/12, 12.1, 12.3;  
D10/1, 2, 21, 22

CPC .... H01R 25/003; H01R 25/006; H01R 27/02;  
H01R 31/005; H01R 13/60; H01R  
13/6658; H01R 13/72; G06F 1/1607;  
G06F 1/1632; G06F 1/1684; G06F  
13/382; G06F 13/4022

See application file for complete search history.

(56) **References Cited**

**U.S. PATENT DOCUMENTS**

D211,362 S 6/1968 Janda et al.  
D212,362 S 10/1968 Noyes  
D244,210 S 5/1977 Bliven  
D284,762 S 7/1986 Mo  
D290,118 S 6/1987 Kaufman  
D301,231 S 5/1989 Yoshiharu  
D334,562 S 4/1993 Maloney

**OTHER PUBLICATIONS**

Bittel Moda Intelligent Modules Charging Alarm Clock, Speaker-  
phone with 6 Buttons, online, no post date, URL: <https://www.americanhotel.com/bittel-moda-intelligent-modules-charging-alarm-clock-speakerphone-with-6-buttons/p/1105421> , retrieved Dec. 17,  
2019.\*

(Continued)

*Primary Examiner* — Angela J Lee  
*Assistant Examiner* — Rebekah A Caruso  
(74) *Attorney, Agent, or Firm* — Adsero IP

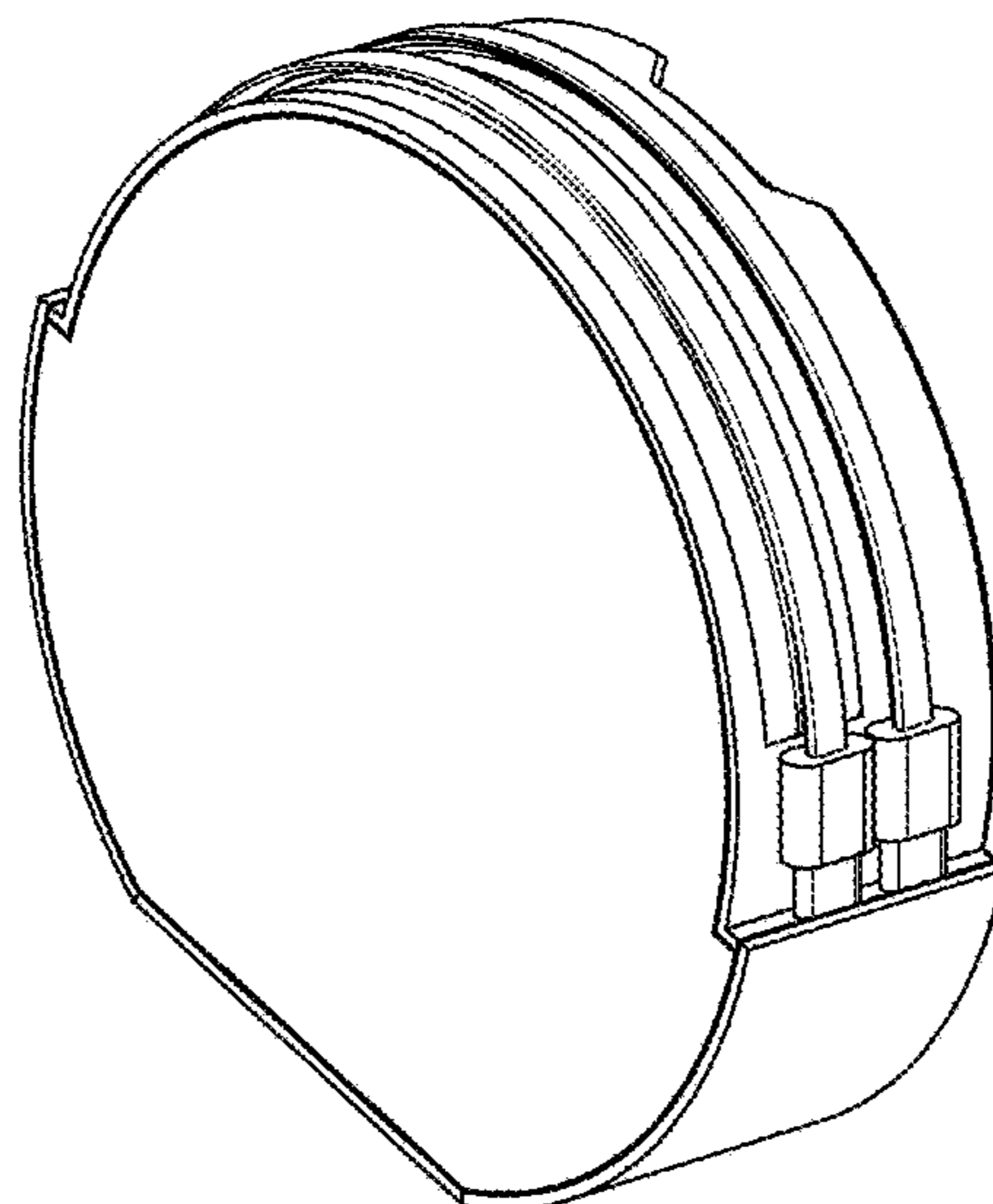
(57) **CLAIM**

The ornamental design for an electronic base station, as  
shown and described.

**DESCRIPTION**

FIG. 1 is a front elevation view of a first embodiment of an  
electronic base station showing our new design;  
FIG. 2 is a back elevation view thereof;  
FIG. 3 is a left side elevation view thereof;  
FIG. 4 is a right side elevation view thereof;  
FIG. 5 is a top plan view thereof;  
FIG. 6 is a bottom plan view thereof;  
FIG. 7 is a top and front perspective view thereof;  
FIG. 8 is a top and back perspective view thereof; and,  
FIG. 9 is a bottom and front perspective view thereof.

**1 Claim, 9 Drawing Sheets**



(56)

References Cited

OTHER PUBLICATIONS

U.S. PATENT DOCUMENTS

D596,929 S 7/2009 Lawrence et al.  
 7,717,738 B2 5/2010 Mabry  
 D630,173 S 1/2011 Donowho et al.  
 D632,660 S 2/2011 Donowho et al.  
 D640,231 S \* 6/2011 Joseph ..... D14/171  
 7,982,335 B2 7/2011 Aldag et al.  
 D656,488 S 3/2012 Nakayama et al.  
 D658,616 S 5/2012 VanDerFlier et al.  
 8,187,028 B2 5/2012 Feigl  
 D662,074 S 6/2012 Corsini et al.  
 D675,616 S \* 2/2013 Ahmed ..... D14/385  
 D692,837 S 11/2013 Knapp et al.  
 D695,028 S 12/2013 Hagerty  
 D695,219 S 12/2013 Dasbach  
 8,616,921 B2 12/2013 Byrne et al.  
 D742,823 S \* 11/2015 Nitz ..... D13/103  
 D755,127 S 5/2016 Wong  
 D756,325 S \* 5/2016 Poandl ..... D14/171  
 D775,077 S 12/2016 Xu  
 9,583,902 B2 2/2017 Irons et al.  
 D791,698 S \* 7/2017 Kim ..... D13/108  
 D791,700 S \* 7/2017 Loewen ..... D13/108  
 D808,904 S \* 1/2018 Koenig ..... D13/110  
 D810,086 S \* 2/2018 Xie ..... D14/433  
 D810,087 S \* 2/2018 Xie ..... D14/433  
 D810,698 S \* 2/2018 Hahn ..... D13/156  
 D811,338 S 2/2018 Zhu  
 D823,804 S 7/2018 Zhu  
 D832,786 S 11/2018 Zhu  
 D833,974 S 11/2018 Tyrrell et al.  
 D836,081 S 12/2018 Liu et al.  
 D836,567 S 12/2018 Lee et al.  
 D837,747 S 1/2019 Lee et al.  
 10,181,675 B1 1/2019 Anderson  
 D845,244 S 4/2019 Andersson et al.  
 D845,902 S \* 4/2019 Xu ..... D13/137.4  
 D865,768 S \* 11/2019 Du ..... D14/434  
 D871,341 S 12/2019 Jensen et al.  
 D892,056 S 8/2020 Jensen et al.  
 2005/0115152 A1 6/2005 Levesque et al.  
 2016/0043584 A1 \* 2/2016 Sun ..... H01M 2/1044  
 320/107

“Bittel previews Jacob Jensen Moda at Hitec Houston,” Jacob Jensen Moda smart device pictured therein, online, post date Jun. 19, 2018, URL: <http://www.ariatelcom.com/blog/2018/6/19/bittel-previews-jacob-jensen-moda-at-hitec-houston>, retrieved Dec. 17, 2019.\*  
 Design U.S. Appl. No. 29/640,739, filed Mar. 16, 2018; 7 pages.  
 Design U.S. Appl. No. 29/640,748, filed Mar. 16, 2018; 7 pages.  
 Design U.S. Appl. No. 29/640,725, filed Mar. 16, 2018; 8 pages.  
 Design U.S. Appl. No. 29/650,958, filed Jun. 11, 2018; 10 pages.  
 Design U.S. Appl. No. 29/650,958, ExParte Quayle Action, dated Aug. 8, 2019, 18 pages.  
 Design U.S. Appl. No. 29/640,725, Notice of Allowance dated Sep. 5, 2019 11 pages.  
 Beacom 4 Cordless DECT Telephone. beoworld.org. (online) 3 pgs. Manufactured since 2003. [Retrieved on Aug. 5, 2019] [https://www.beoworld.org/prod\\_details.asp?pid=783](https://www.beoworld.org/prod_details.asp?pid=783).  
 Design U.S. Appl. No. 29/640,739, NonFinalOA dated Jun. 25, 2019, 21 pages.  
 Design U.S. Appl. No. 29/640,748, NonFinalOA dated Jun. 26, 2019; 20 pages.  
 Design U.S. Appl. No. 29/640,725, NonFinalOA dated Mar. 18, 2019 22 pages.  
 Ifworlddesignguide.com: XPower / Modular power track. Published Mar. 13, 2019. Retrieved from the internet at <<https://ifworlddesignguide.com/entry/232279-xpower>>, Mar. 13, 2019. 1 page. (Year: 2019).  
 Design U.S. Appl. No. 29/650,958, Notice of Allowance, dated Jan. 6, 2020, 10 pages.  
 Design U.S. Appl. No. 29/640,748, FinalOA dated Jan. 23, 2020; 12 pages.  
 Design U.S. Appl. No. 29/640,739, FinalOA dated Jan. 24, 2020, 12 pages.  
 Design U.S. Appl. No. 29/640,748, Ex-Parte Quayle Action, dated Jun. 23, 2020, 8 pages.  
 Design U.S. Appl. No. 29/640,739, Notice of Allowance, dated Jun. 23, 2020, 12 pages.  
 Design U.S. Appl. No. 29/640,748, Notice of Allowance, dated Jul. 13, 2020, 12 pages.

\* cited by examiner

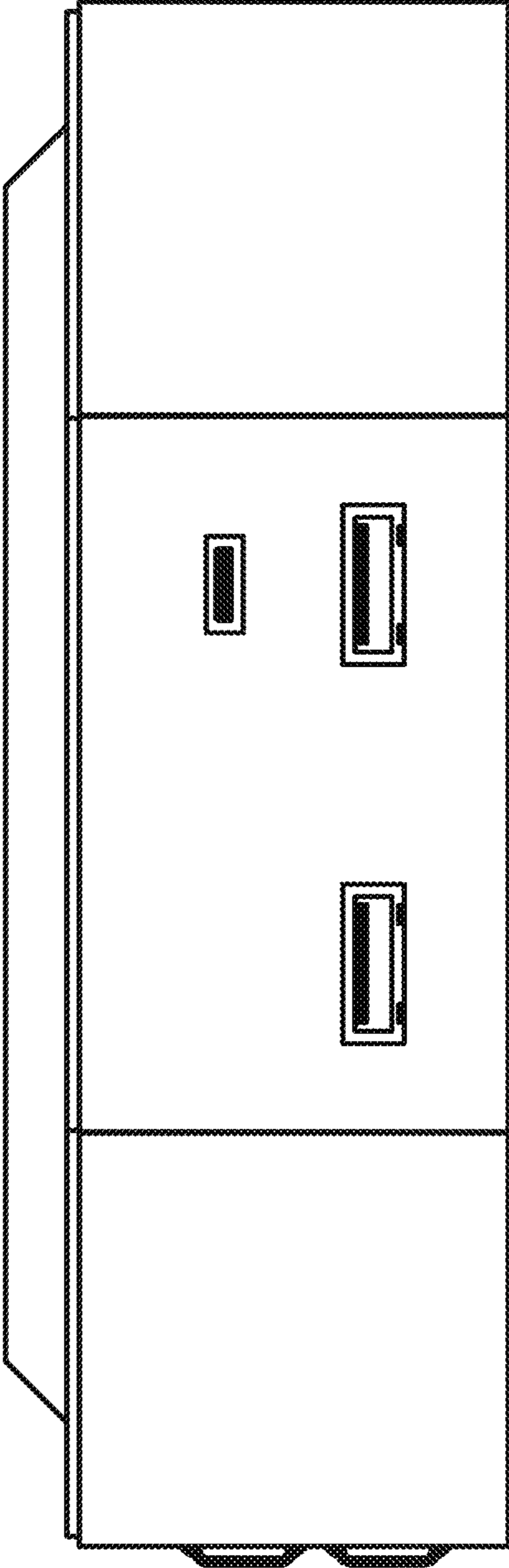


Fig. 1

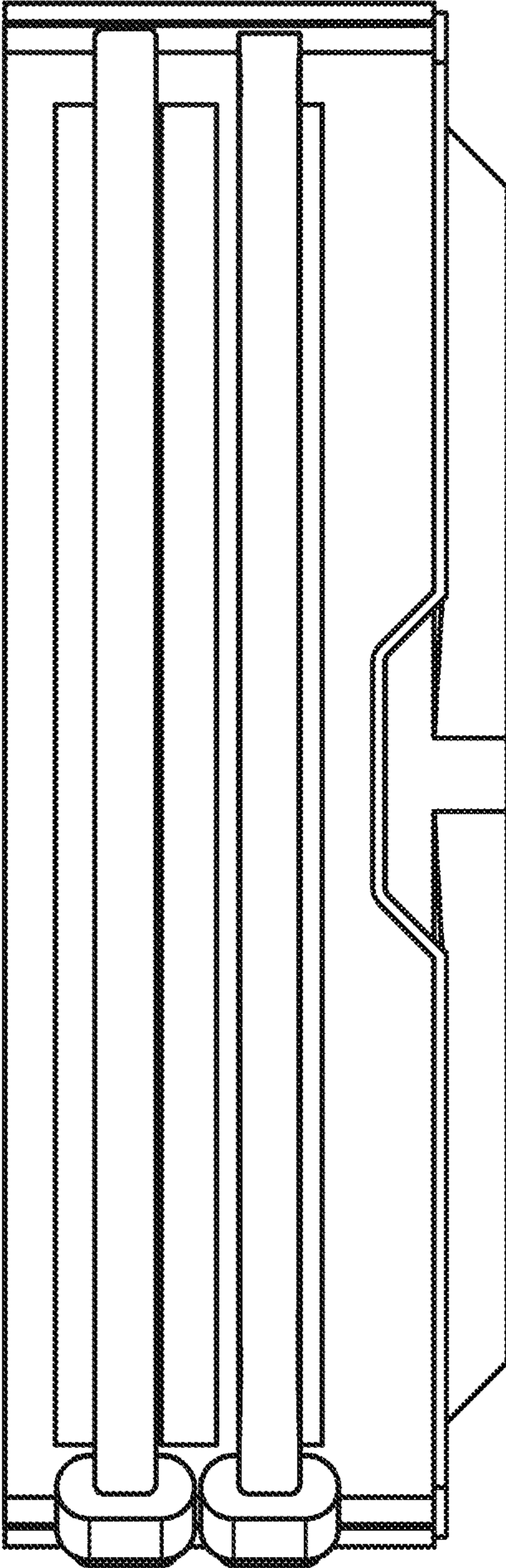


Fig. 2

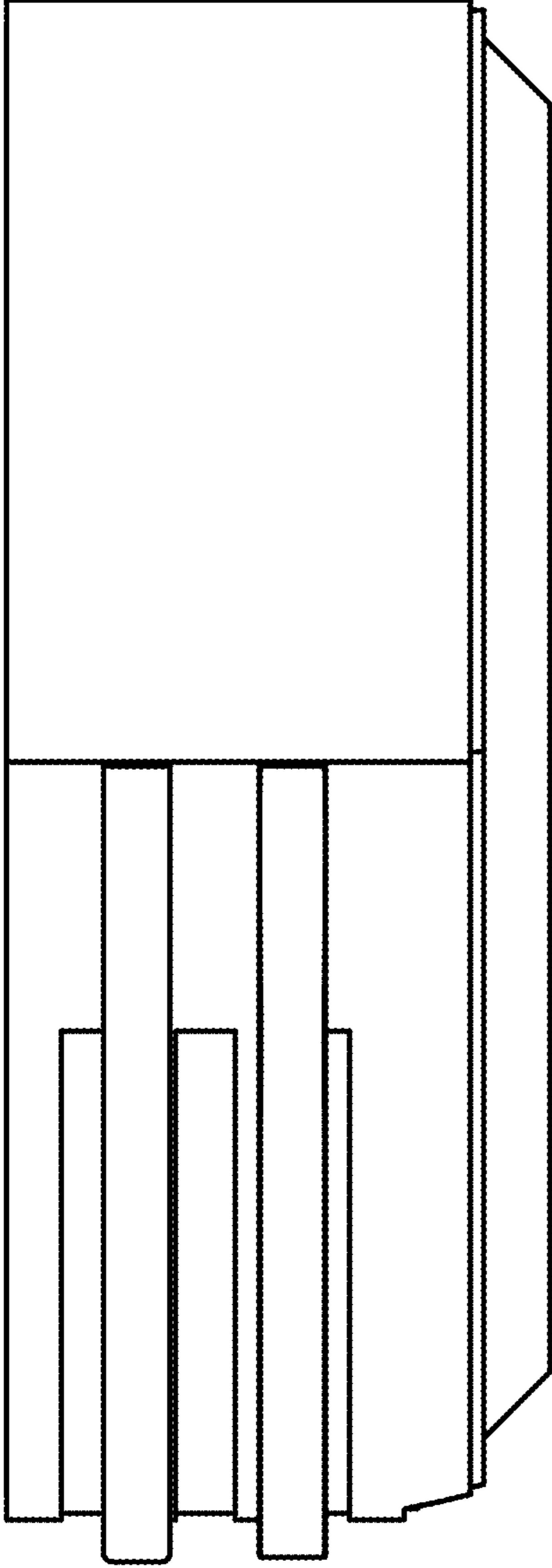


Fig. 3

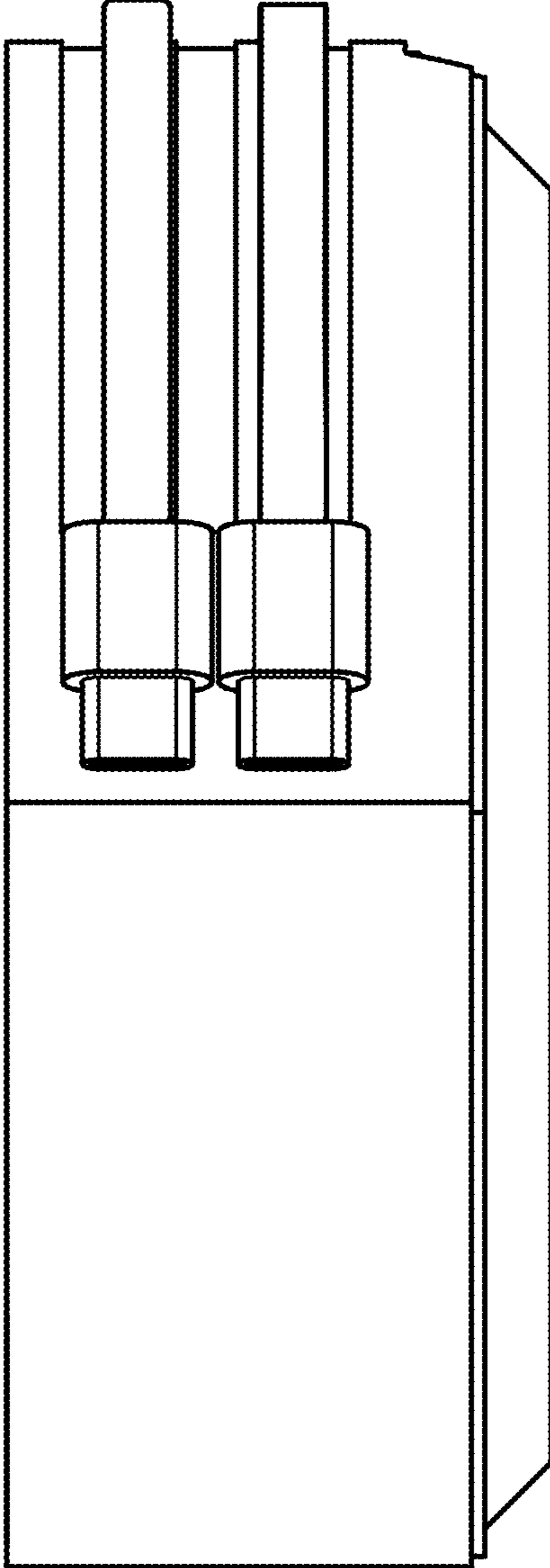


Fig. 4

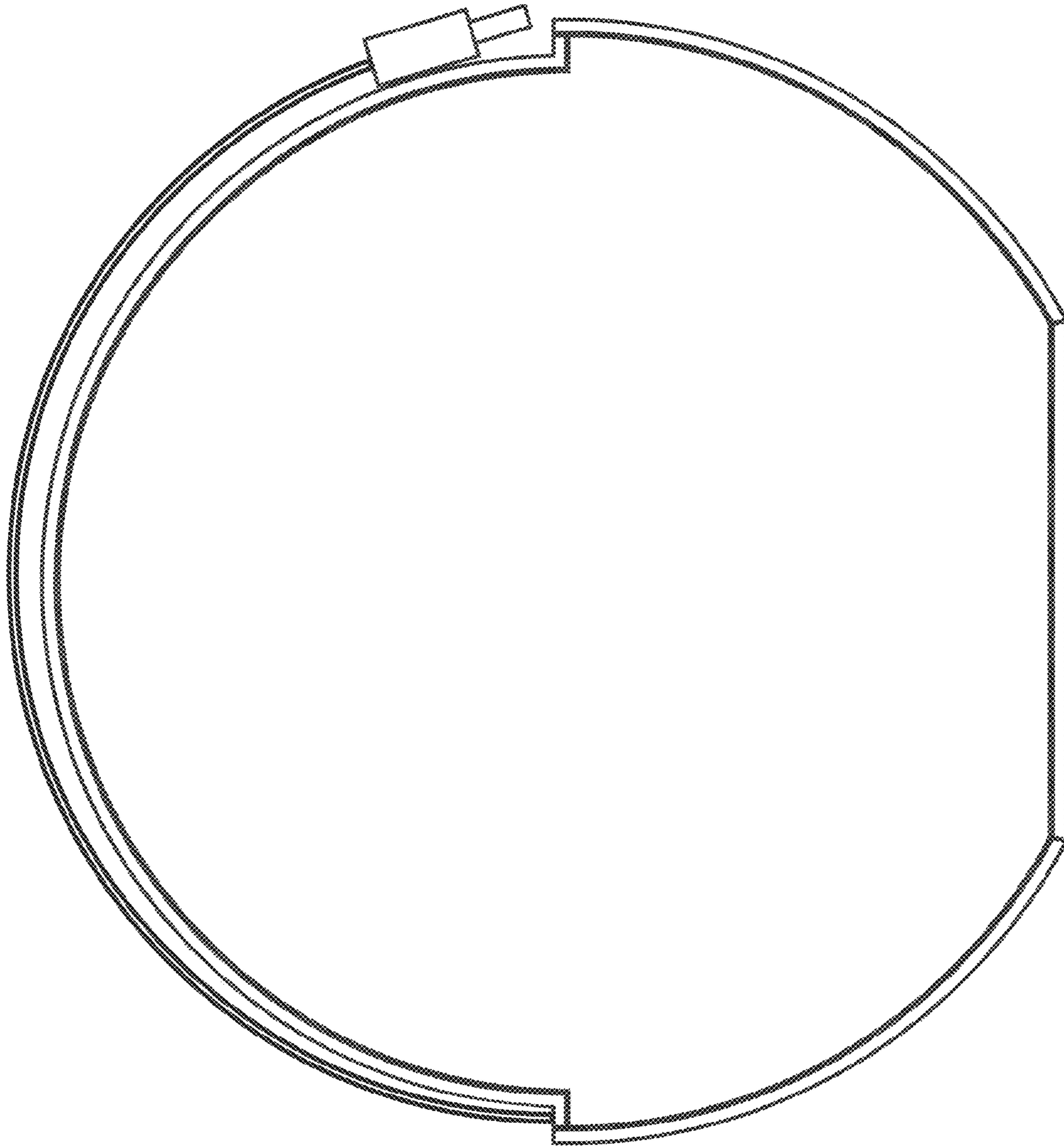


Fig. 5

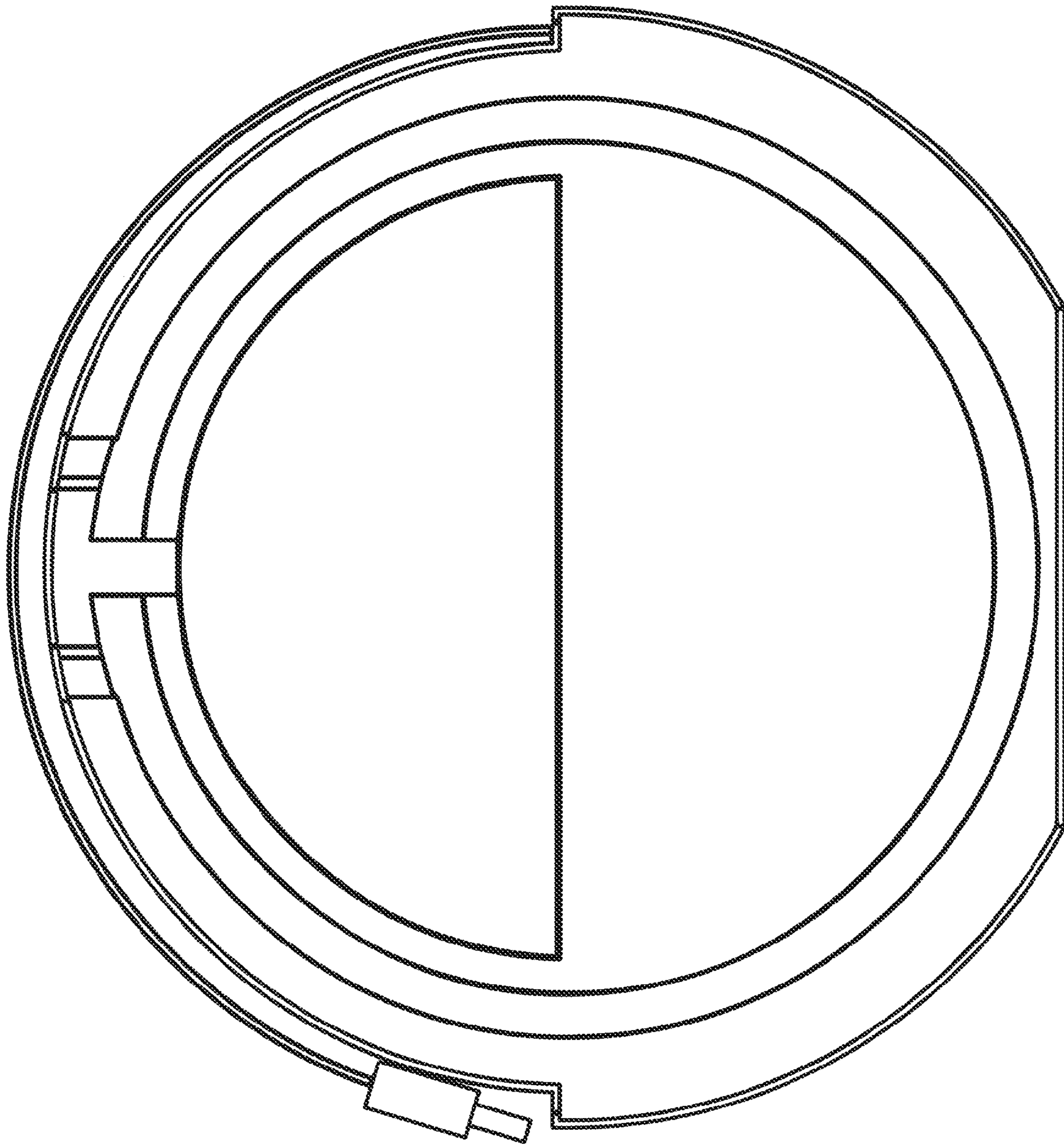


Fig. 6



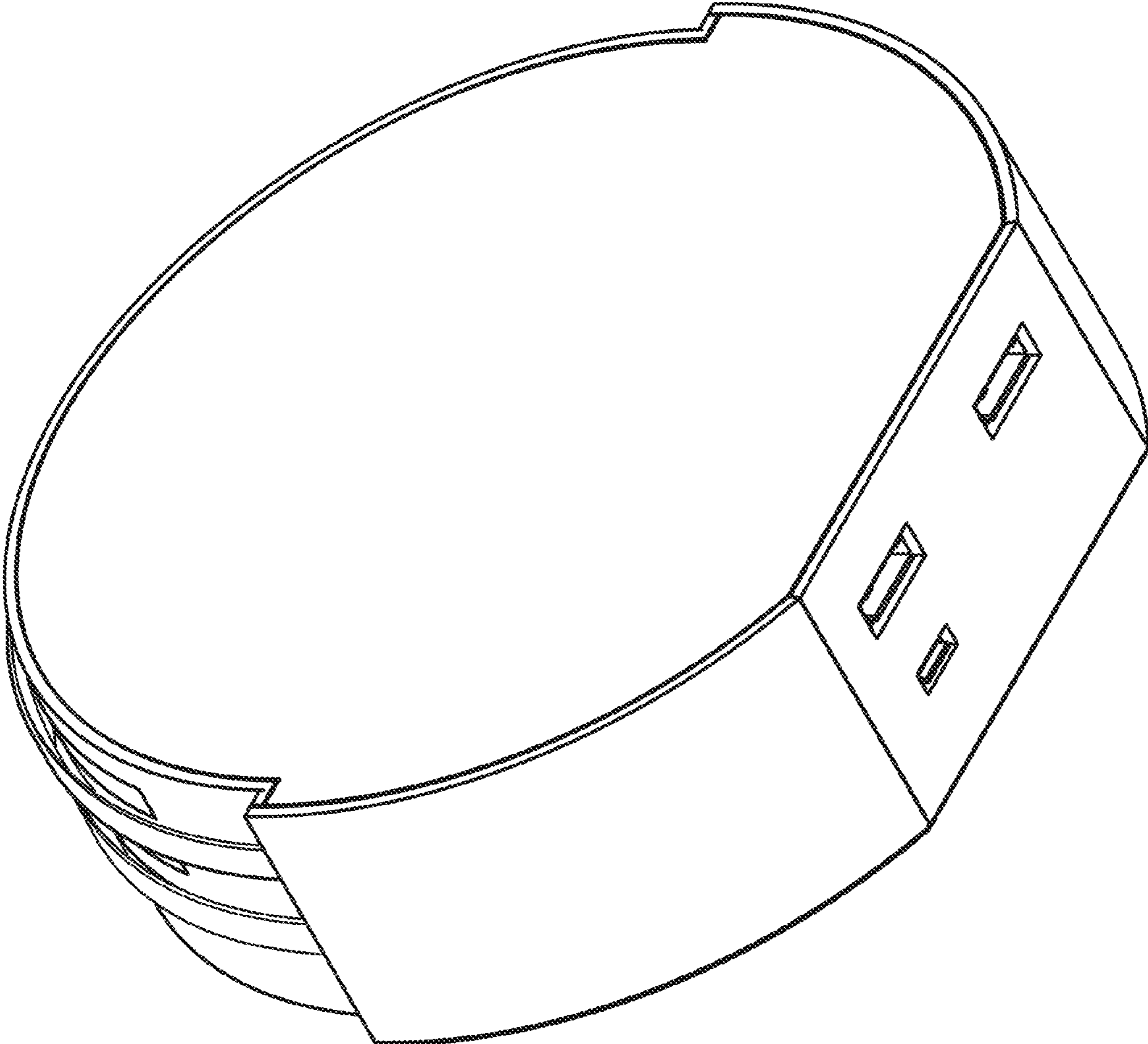


Fig. 7

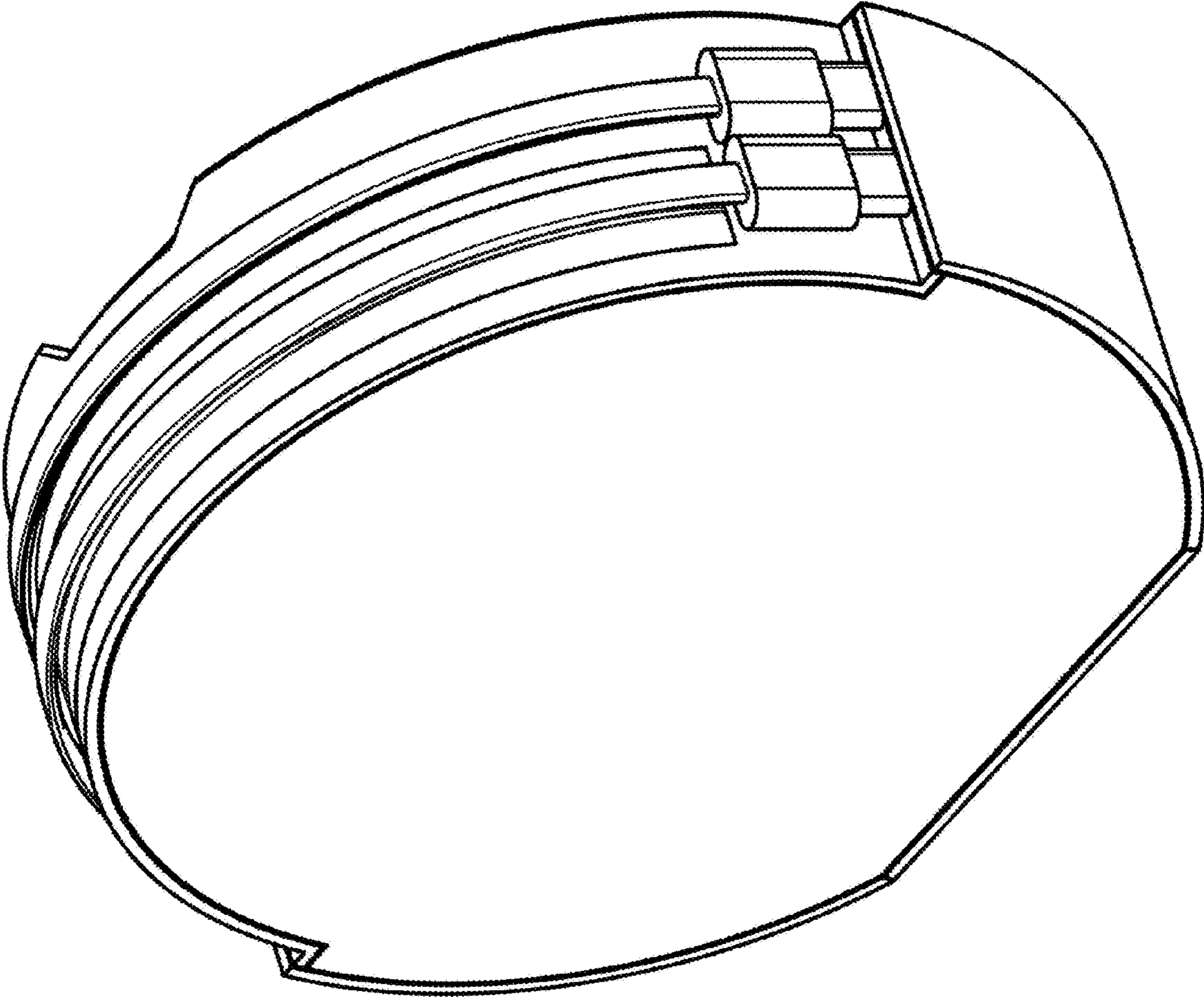


Fig. 8

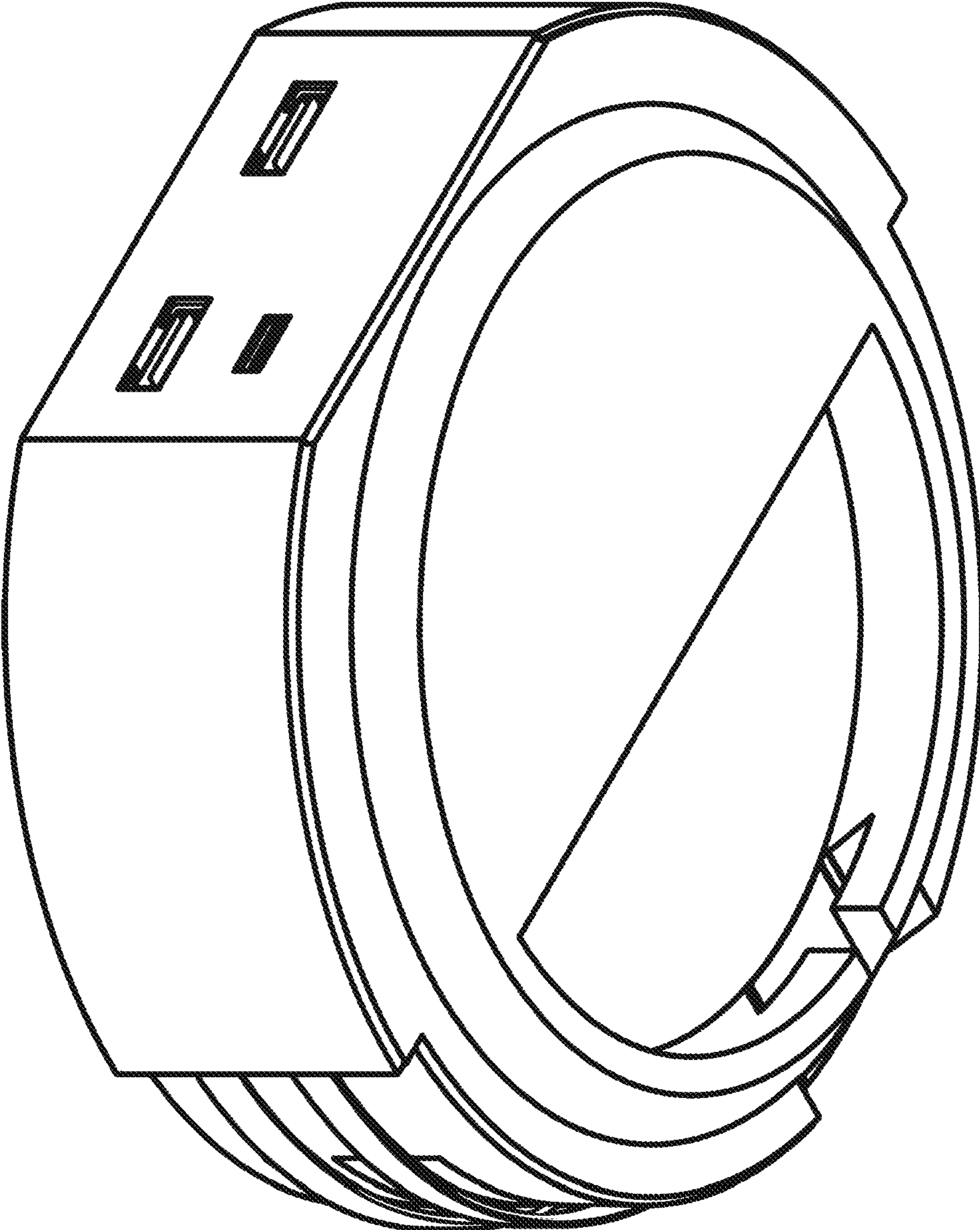


Fig. 9