

US00D902209S

(12) **United States Design Patent** (10) **Patent No.:** **US D902,209 S**  
**Saeki et al.** (45) **Date of Patent:** **\*\* Nov. 17, 2020**

(54) **SCANNER**

(71) Applicant: **PFU Limited**, Kahoku (JP)

(72) Inventors: **Yuka Saeki**, Kahoku (JP); **Satoshi Kubota**, Kahoku (JP); **Shuji Hashimoto**, Kanazawa (JP)

(73) Assignee: **PFU Limited**, Ishikawa (JP)

(\*\*) Term: **15 Years**

(21) Appl. No.: **29/701,914**

(22) Filed: **Aug. 15, 2019**

(30) **Foreign Application Priority Data**

Mar. 14, 2019 (JP) ..... 2019-005324

(51) **LOC (12) Cl.** ..... **14-02**

(52) **U.S. Cl.**  
USPC ..... **D14/422**

(58) **Field of Classification Search**  
USPC ..... D14/421-425; D18/55, 49, 46, 40, D18/36-39, 41, 44-56; 235/462, 455, 235/470, 462.43, 482, 483; 358/474, 486, 358/488, 496, 498, 452, 449, 451, 453.1, 358/1.13, 1.16; 318/685, 696; 355/81, 355/75; 399/405, 367, 379, 380; 382/217; 715/209, 222, 226, 274; 400/613, 613.1-613.4, 690.1-690.4, 400/691-694; 271/264, 127, 131, 117, 271/118, 162

CPC ..... H04N 1/00; H04N 1/12; H04N 1/00013; H04N 1/00015; H04N 1/00018; H04N 1/00026; H04N 1/00557; H04N 1/00564; H04N 1/00567; H04N 1/0057; H04N 1/00572; H04N 1/00586; H04N 1/00588; H04N 1/00591; H04N 1/00594; H04N 1/00596; H04N 1/00604; H04N 1/00519; H04N 1/00559; H04N 1/1013; H04N 1/10; H04N 1/00551; H04N 1/00278; H04N 2201/0081; H04N 2201/0456;

H04N 2201/0446; H04N 2201/00; H04N 2201/0094; H04N 1/00525; H04N 1/0049; H04N 1/00493; H04N 1/00496; H04N 1/00527; H04N 1/0053; H04N 1/00533; H04N 1/00535; H04N 1/00538; H04N 1/00541; H04N 1/00543; H04N 1/00037; H04N 1/00092; H04N 1/00702; H04N 1/02815; H04N 1/4076; H04N 1/40056; H04N 1/02845; G03G 15/0142; G03G 15/605; G03G 15/602; B65H 5/26; B65H

(Continued)

(56) **References Cited**

U.S. PATENT DOCUMENTS

D321,713 S \* 11/1991 Matsuo ..... D18/54  
D321,714 S \* 11/1991 Frenkler ..... D18/54

(Continued)

*Primary Examiner* — Susan Moon Lee

(74) *Attorney, Agent, or Firm* — RatnerPrestia

(57) **CLAIM**

The ornamental design for a scanner, as shown and described.

**DESCRIPTION**

FIG. 1 is a perspective view of a scanner showing our new design;

FIG. 2 is a front view thereof;

FIG. 3 is a rear view thereof;

FIG. 4 is a right side view thereof;

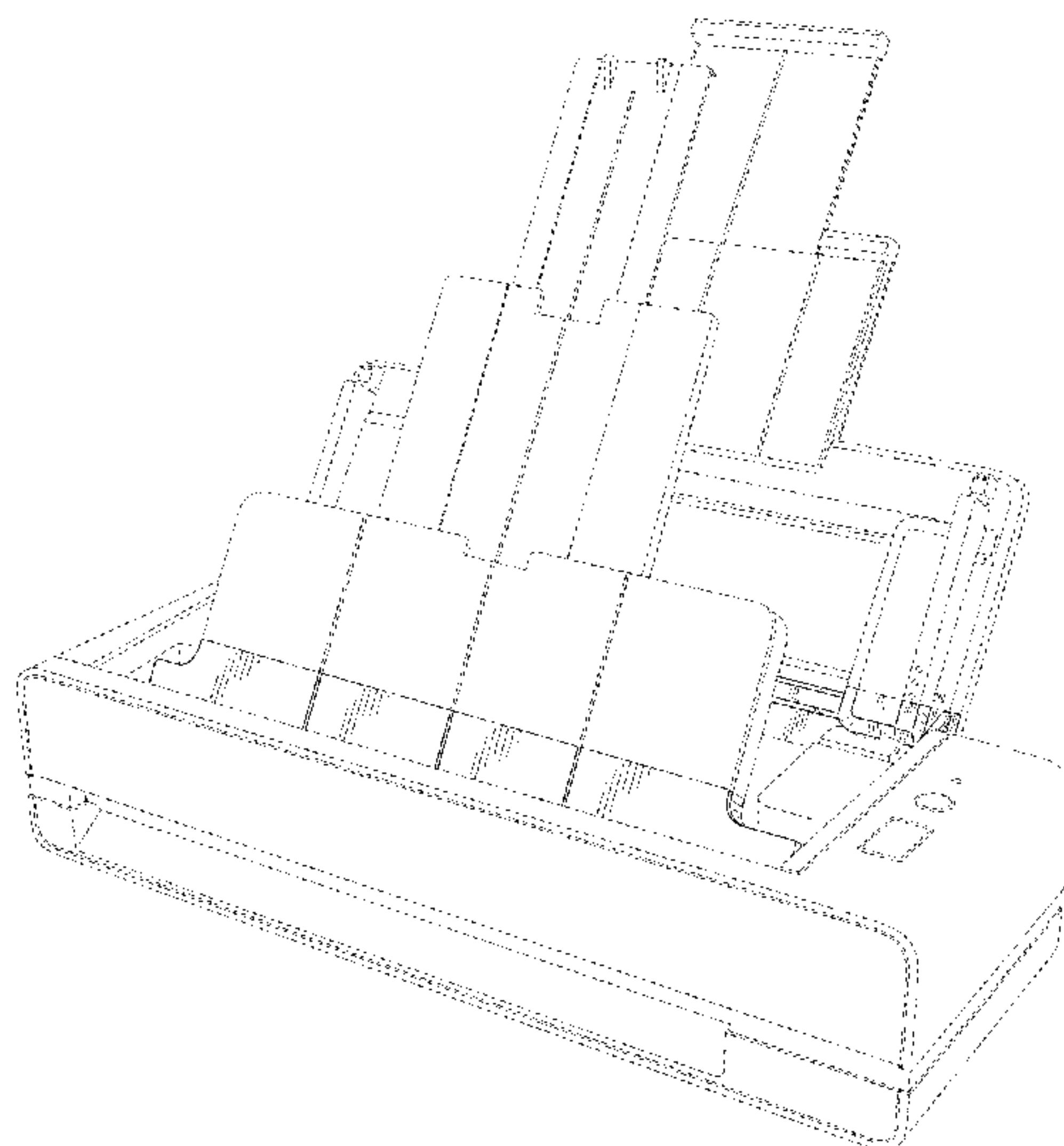
FIG. 5 is a left side view thereof;

FIG. 6 is a top plan view thereof; and,

FIG. 7 is a bottom plan view thereof.

The dashed broken lines in the drawings are for the purpose of illustrating unclaimed portions of the scanner and form no part of the claimed design, and the dash-dot-dash broken lines illustrate the boundary of the claimed design.

**1 Claim, 7 Drawing Sheets**



(58) **Field of Classification Search**

CPC ..... 5/30; B65H 7/00; B65H 2402/515; B65H 2402/31; B65H 2511/20; B65H 2511/414; B65H 2511/00194; B65H 2511/00198; B65H 2511/00202; B65H 2511/00206; B65H 2301/00; B65H 2220/04; B65H 3/5261; B65H 2513/42

See application file for complete search history.

(56)

**References Cited**

U.S. PATENT DOCUMENTS

D326,278 S \* 5/1992 Grosse ..... D18/54  
 D331,597 S \* 12/1992 Kobayashi ..... D18/55  
 D331,774 S \* 12/1992 Saeki ..... D18/55  
 D352,731 S \* 11/1994 Sugimoto ..... D18/50  
 5,423,529 A \* 6/1995 Saito ..... B41J 3/36  
 211/DIG. 1  
 D361,554 S \* 8/1995 Mochizuki ..... D14/422  
 5,531,431 A \* 7/1996 Saito ..... B41J 3/36  
 271/10.09  
 D374,888 S \* 10/1996 Udagawa ..... D18/50  
 D400,572 S \* 11/1998 Sekine ..... D18/54  
 D422,570 S \* 4/2000 Kobayashi ..... D14/509  
 6,250,827 B1 \* 6/2001 Nojima ..... B41J 29/02  
 400/691  
 6,991,331 B2 \* 1/2006 Kagami ..... B41J 29/13  
 347/104  
 D525,295 S \* 7/2006 Suzuki ..... D18/55  
 D530,739 S \* 10/2006 Tsai ..... D18/55

7,265,869 B2 \* 9/2007 Silverbrook ..... B41J 2/155  
 358/1.3  
 D563,413 S \* 3/2008 Kuroda ..... D14/422  
 D624,544 S \* 9/2010 Kuroda ..... D14/422  
 D624,545 S \* 9/2010 Kuroda ..... D14/422  
 D624,547 S \* 9/2010 Kuroda ..... D14/422  
 D631,479 S \* 1/2011 Komuro ..... D14/422  
 D637,191 S \* 5/2011 Kuroda ..... D14/422  
 D689,866 S \* 9/2013 Anzai ..... D14/422  
 D689,868 S \* 9/2013 Ishikawa ..... D14/422  
 D692,891 S \* 11/2013 Kuroda ..... D14/422  
 D713,845 S \* 9/2014 Taniho ..... D14/422  
 D758,369 S \* 6/2016 Kuroda ..... D14/422  
 9,415,954 B2 \* 8/2016 Ukai ..... B65H 1/02  
 D776,118 S \* 1/2017 Ishida ..... D14/422  
 D783,023 S \* 4/2017 Kuroda ..... D14/422  
 D788,110 S \* 5/2017 Kuroda ..... D14/422  
 D831,654 S \* 10/2018 Chiu ..... D14/422  
 D844,004 S \* 3/2019 Ishida ..... D14/422  
 D845,951 S \* 4/2019 Shigeno ..... D14/422  
 D845,952 S \* 4/2019 Egami ..... D14/422  
 2004/0067089 A1 \* 4/2004 Tanaami ..... B41J 29/02  
 400/693  
 2010/0060948 A1 \* 3/2010 Yoshida ..... H04N 1/00554  
 358/474  
 2014/0103598 A1 \* 4/2014 Kuriki ..... B65H 5/26  
 271/3.19  
 2017/0267476 A1 \* 9/2017 Miyagi ..... B65H 3/063  
 2017/0279991 A1 \* 9/2017 Shiota ..... B65H 3/0653  
 2018/0007221 A1 \* 1/2018 Mokuo ..... H04N 1/00591  
 2018/0179006 A1 \* 6/2018 Kogi ..... B65H 7/125

\* cited by examiner

FIG. 1

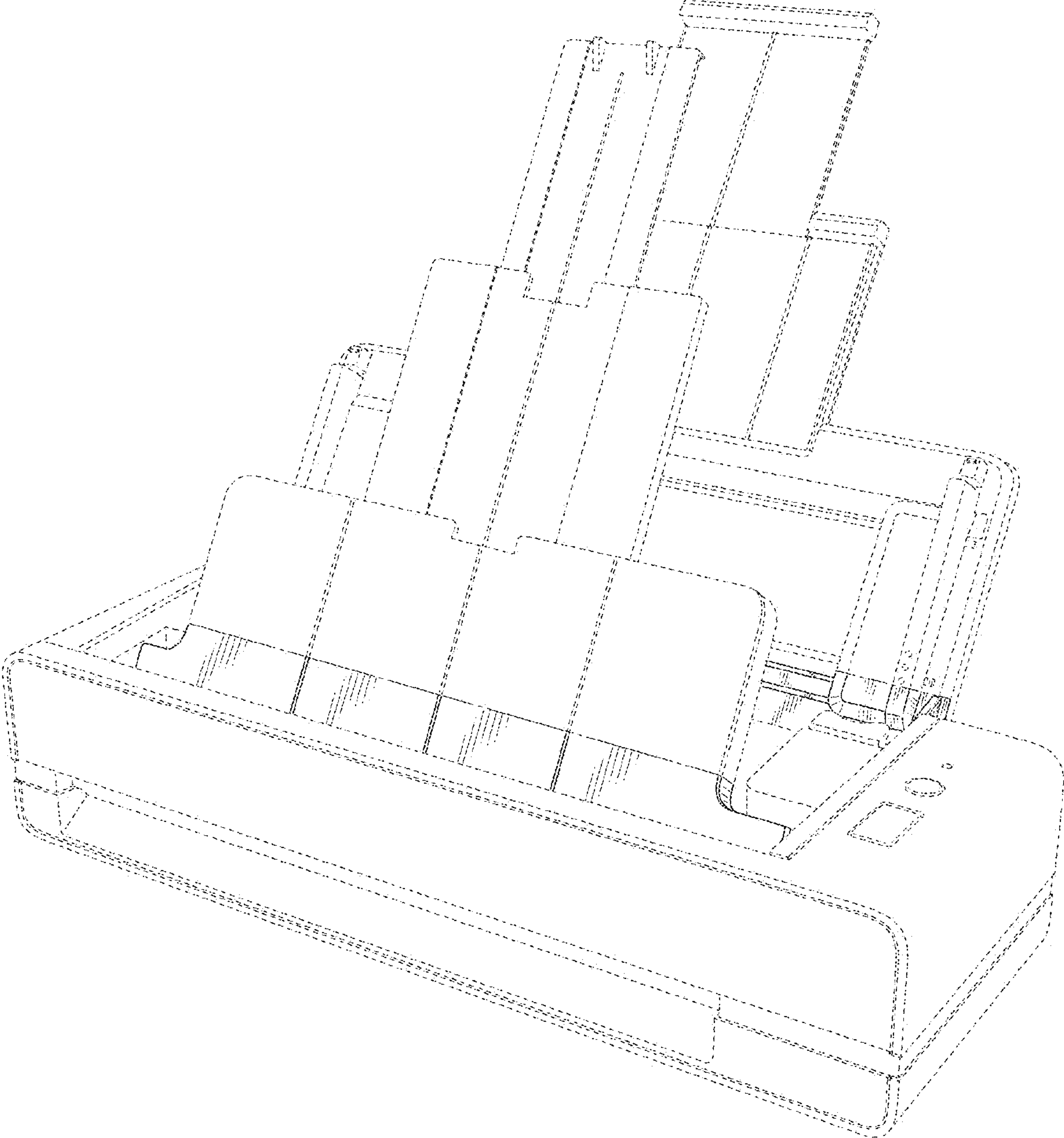




FIG. 2

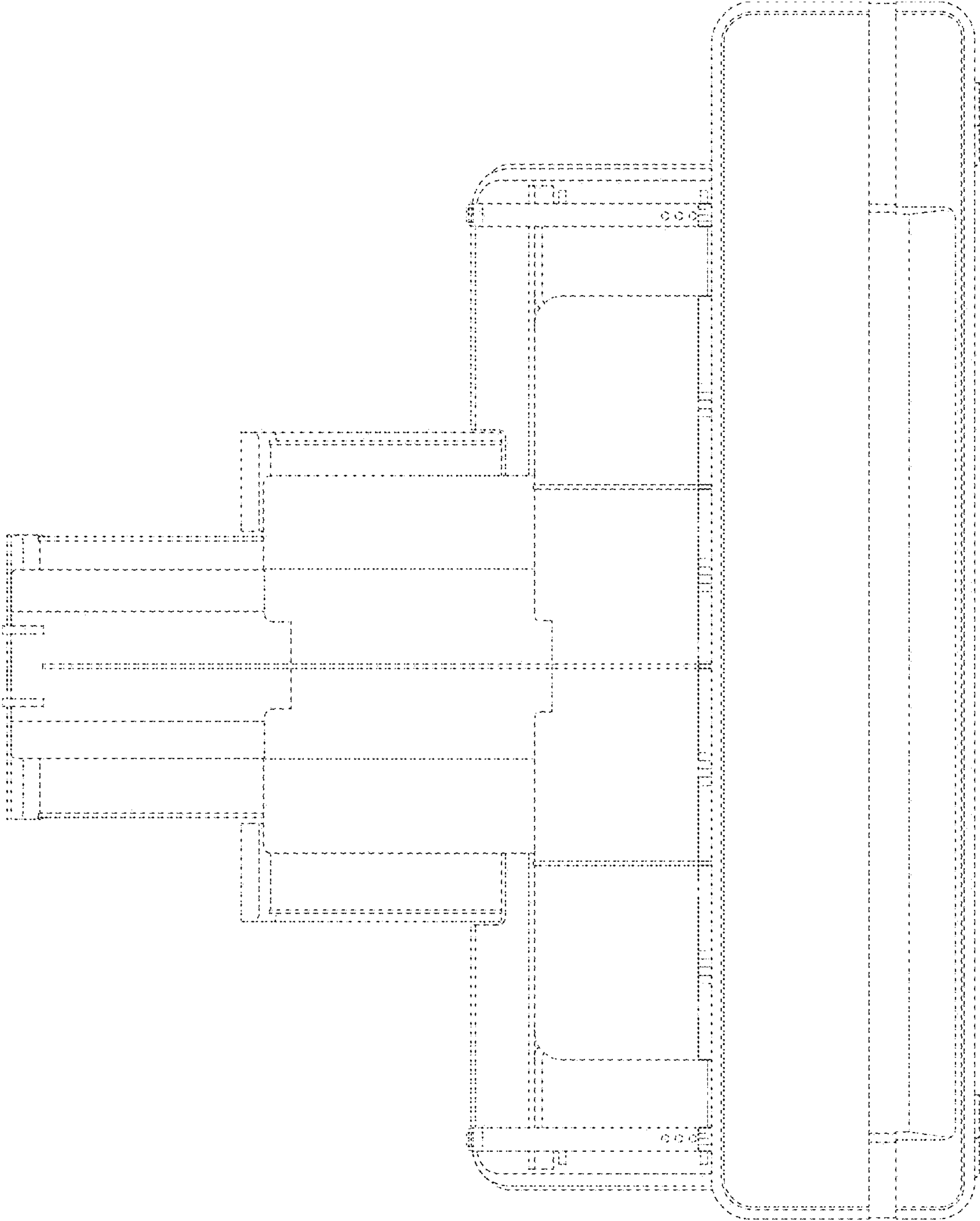


FIG. 3

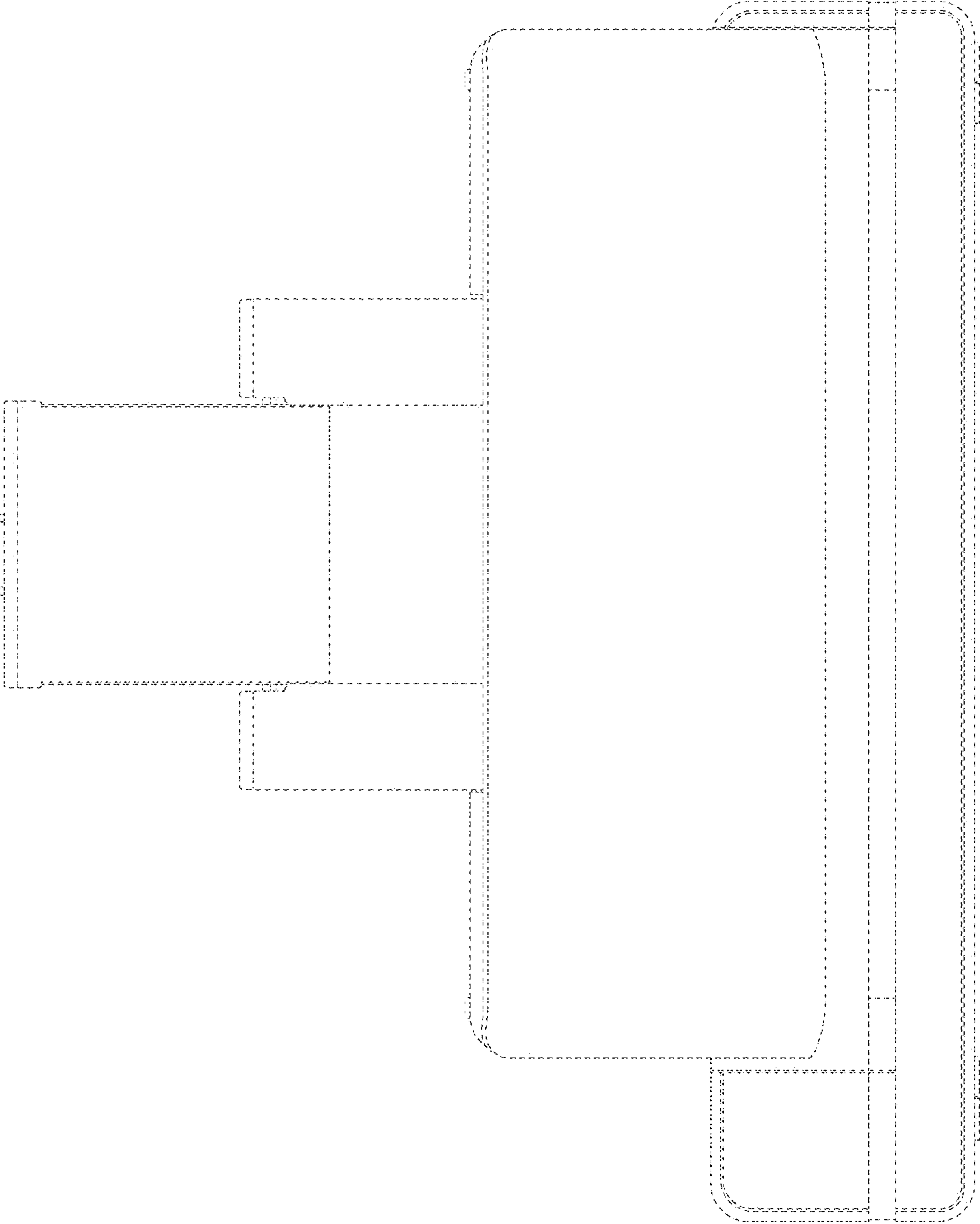


FIG. 4

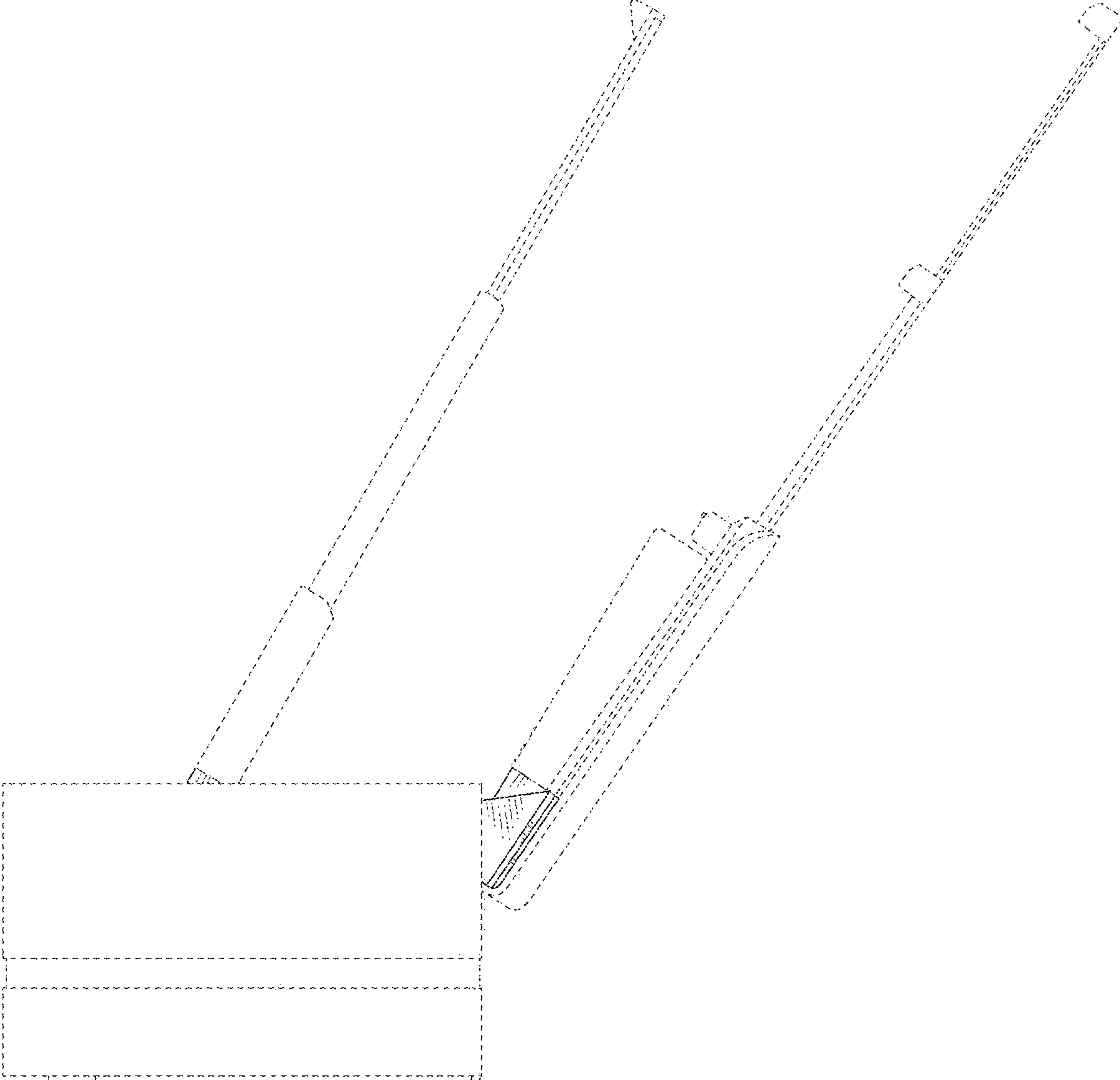


FIG. 5

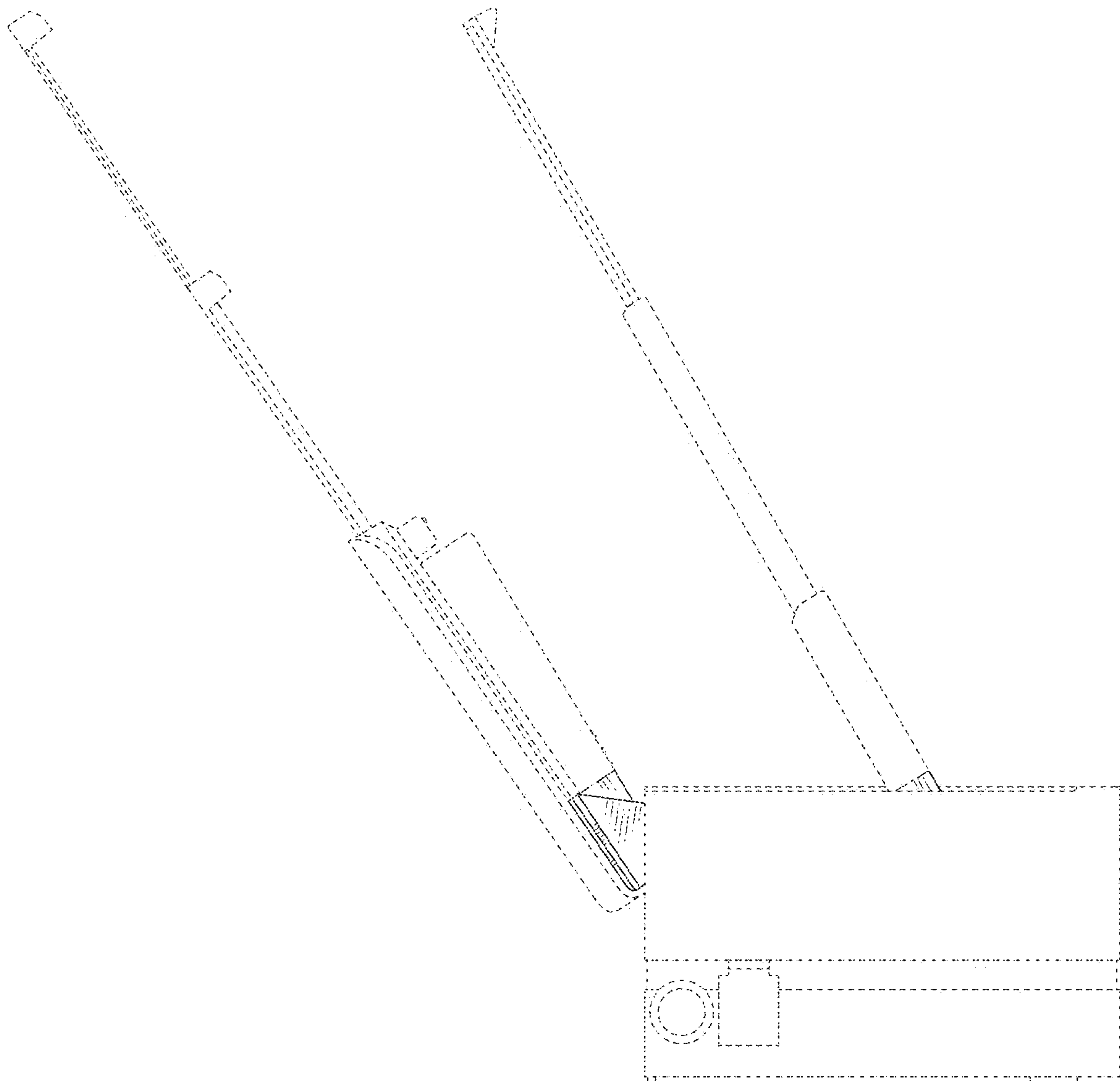


FIG. 6

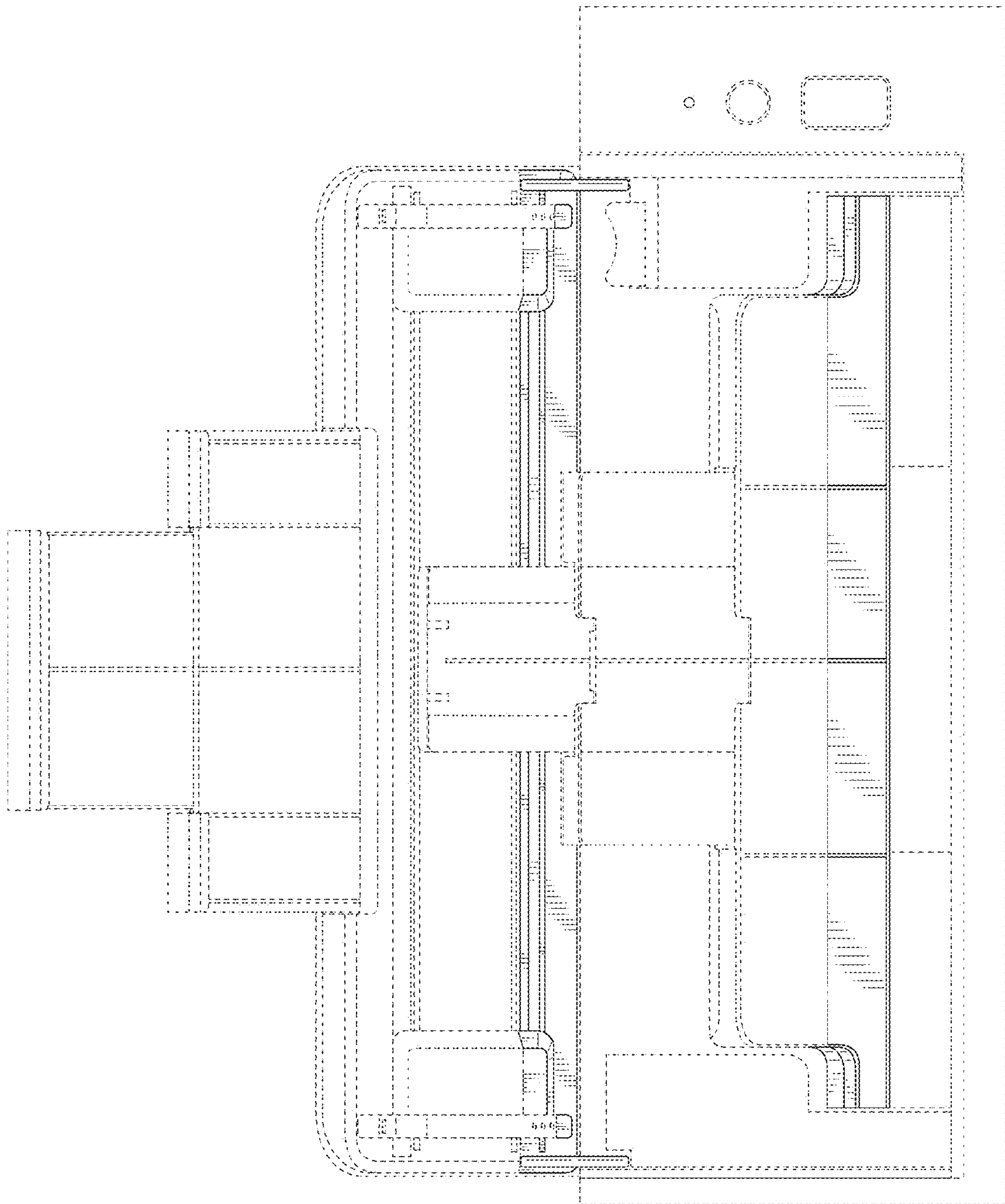




FIG. 7

