



US00D902208S

(12) **United States Design Patent**
Karlsson et al.

(10) **Patent No.:** **US D902,208 S**

(45) **Date of Patent:** **** Nov. 17, 2020**

(54) **STAND**

(71) Applicant: **PAYPAL, INC.**, San Jose, CA (US)

(72) Inventors: **Oscar Karlsson**, Skarmpack (SE); **Nino Höglund**, Stockholm (SE); **Gustav Müller Nord**, Nacka (SE)

(73) Assignee: **PayPal, Inc.**, San Jose, CA (US)

(**) Term: **15 Years**

(21) Appl. No.: **29/629,854**

(22) Filed: **Dec. 15, 2017**

Related U.S. Application Data

(62) Division of application No. 35/501,652, filed on Apr. 22, 2016 (U.S. filing date under 35 U.S.C. 384), and having an international filing date of Apr. 22, 2016, now Pat. No. Des. 821,398.

(51) **LOC (12) Cl.** **14-02**

(52) **U.S. Cl.**
USPC **D14/387**

(58) **Field of Classification Search**
USPC D14/308, 358, 383, 385, 387, 421
CPC G06K 7/084; G06K 7/087; G06K 7/0004;
G06K 7/01; G06K 7/0021; G06K 7/0056;
G06K 7/082; G06K 7/0069; G06K 7/006;
G06K 7/0073; G06Q 20/204; G06Q
20/4012; B66B 2201/4676
See application file for complete search history.

(56) **References Cited**

U.S. PATENT DOCUMENTS

D359,952 S * 7/1995 Cox D18/4.5
D698,789 S * 2/2014 Daniel D14/385

D730,899 S * 6/2015 Daniel D14/385
D736,208 S 8/2015 Gustafsson
D751,076 S * 3/2016 Buessler D14/385
D752,051 S * 3/2016 Chen D14/434
D789,335 S * 6/2017 Nuk D14/240

OTHER PUBLICATIONS

Spire SPM2 Bluetooth Pin pad product datasheet (published prior to Apr. 22, 2016).

DATECS BluePad-50 Bluetooth enabled mobile payment solution (published prior to Apr. 22, 2016).

* cited by examiner

Primary Examiner — Eliza Z Bennett-Hattan

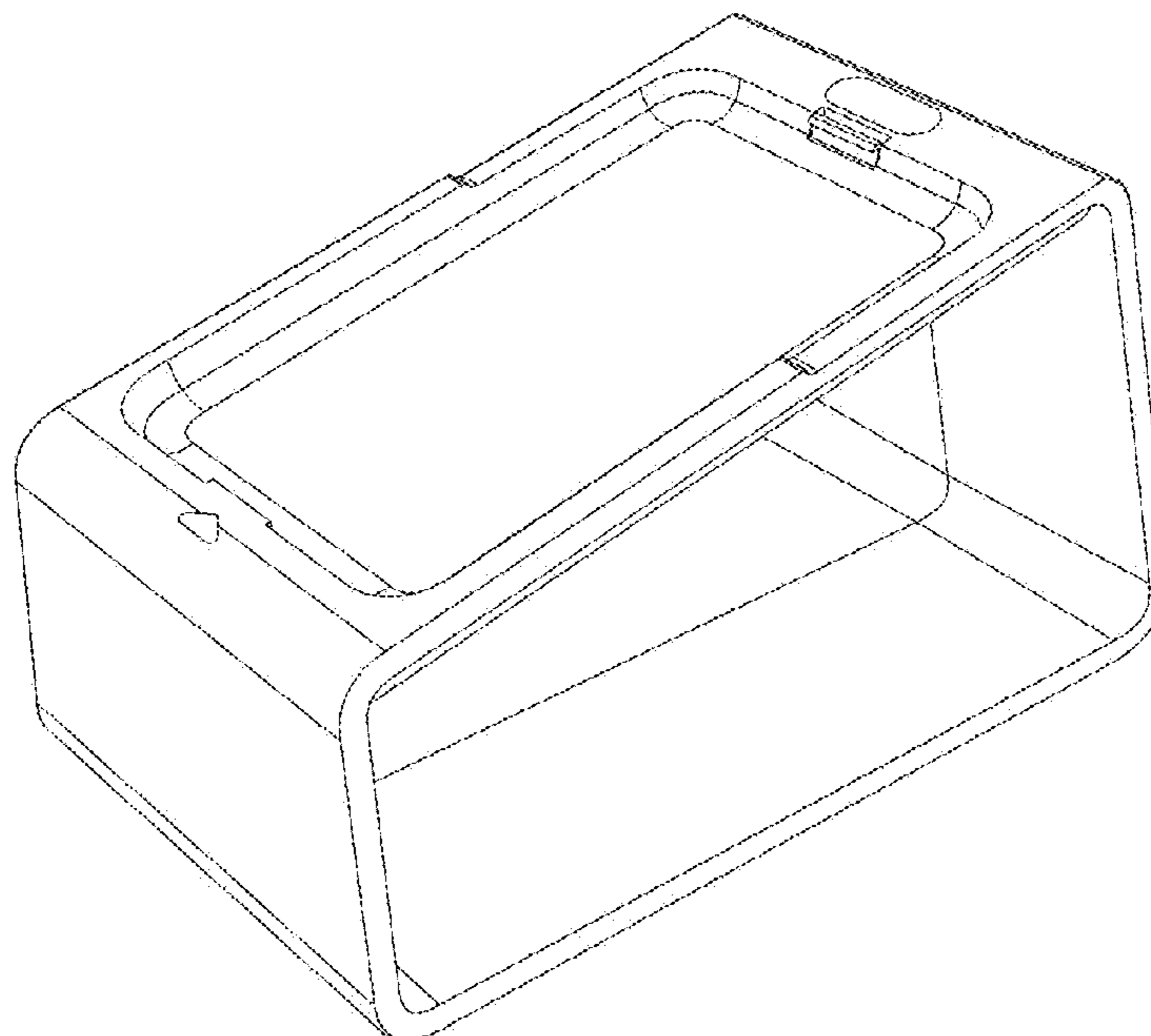
(57) **CLAIM**

The ornamental design for a stand, as shown and described.

DESCRIPTION

FIG. 1 is a perspective view of a stand of the present invention;
FIG. 2 is a front view of the invention illustrated in FIG. 1;
FIG. 3 is a back view of the invention illustrated in FIG. 1;
FIG. 4 is a right elevation view of the invention illustrated in FIG. 1;
FIG. 5 is a left elevation view of the invention illustrated in FIG. 1;
FIG. 6 is a top view of the invention illustrated in FIG. 1;
and,
FIG. 7 is a bottom view of the invention illustrated in FIG. 1.

1 Claim, 7 Drawing Sheets



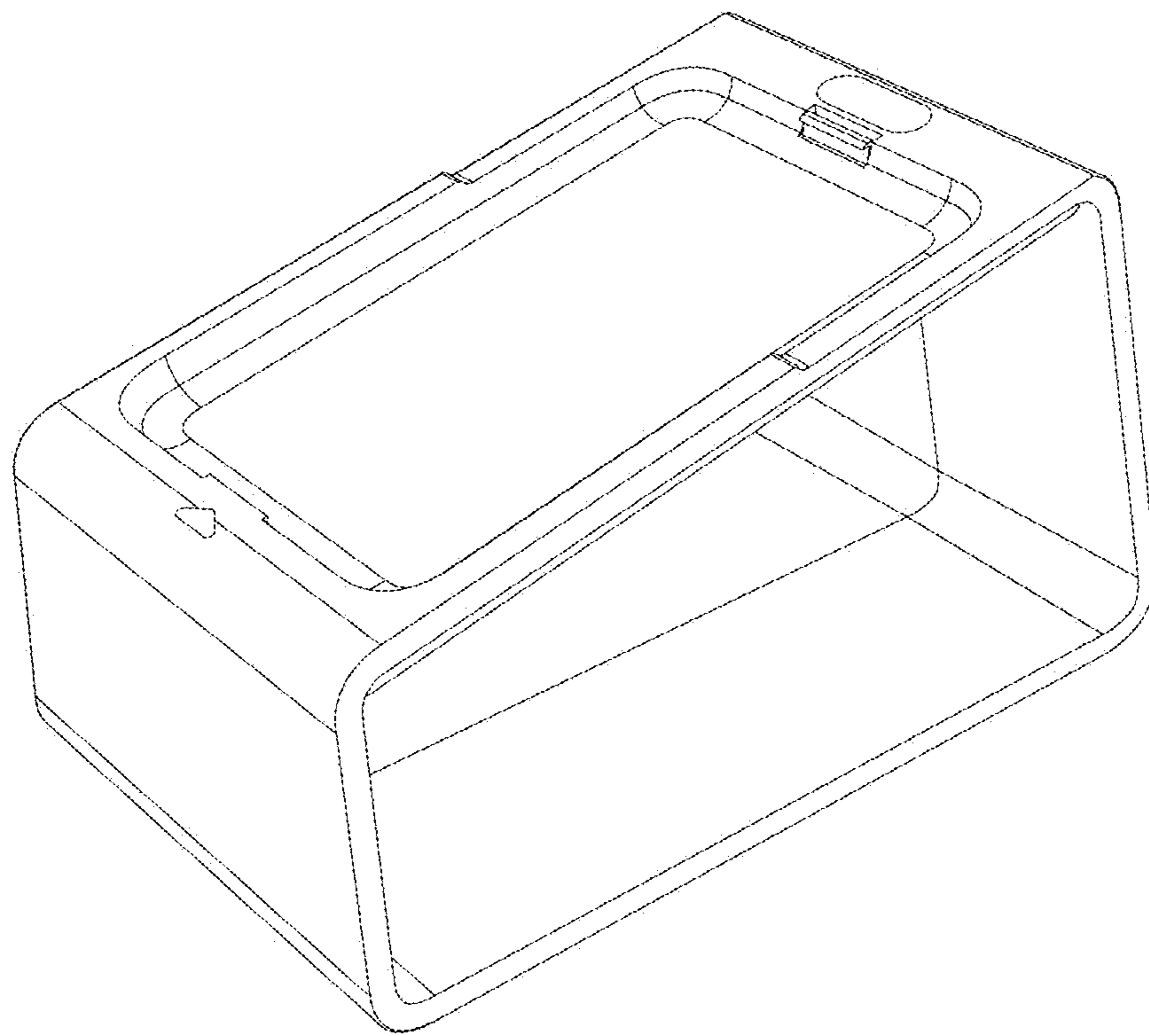


FIG. 1

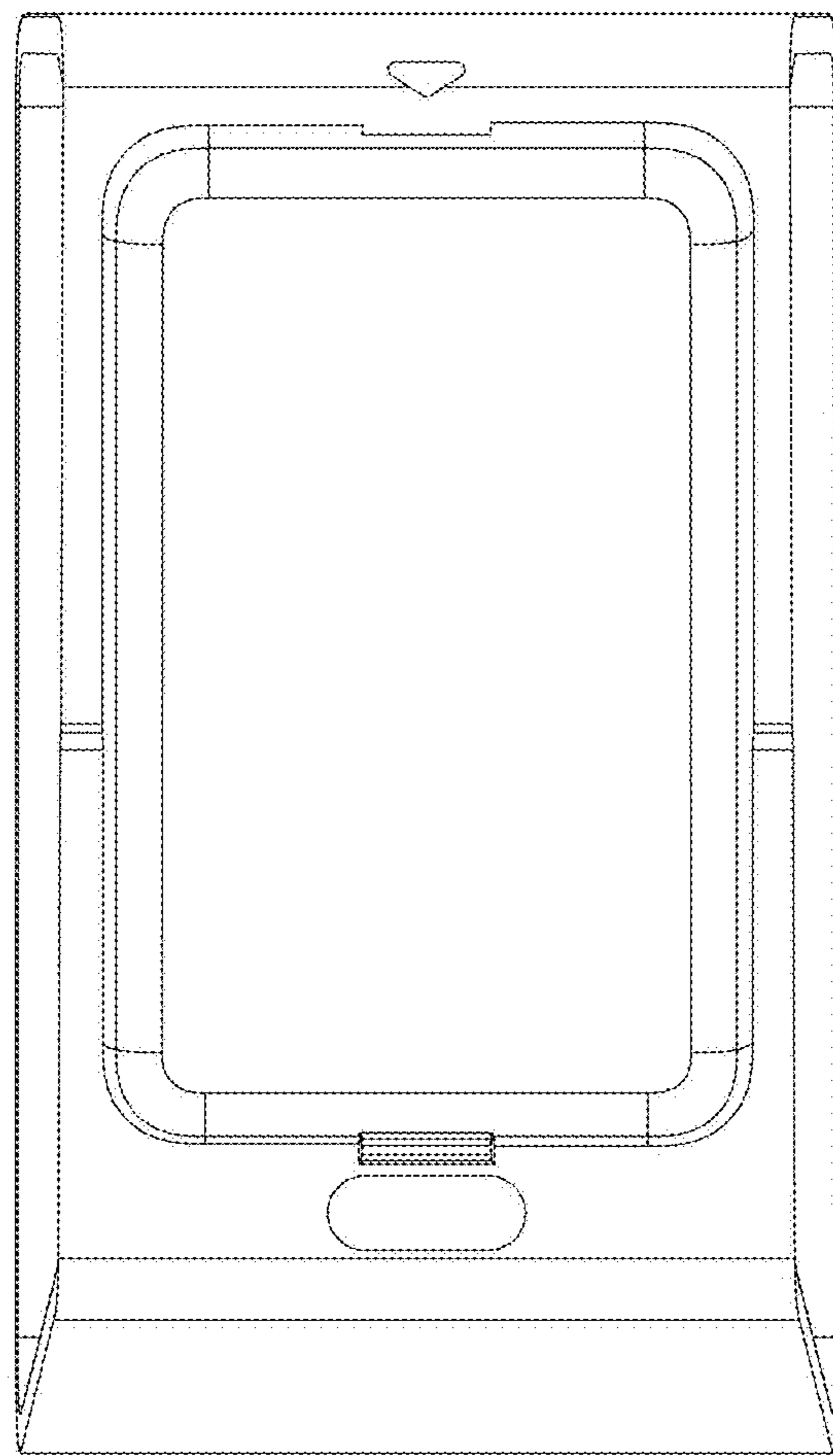


FIG. 2

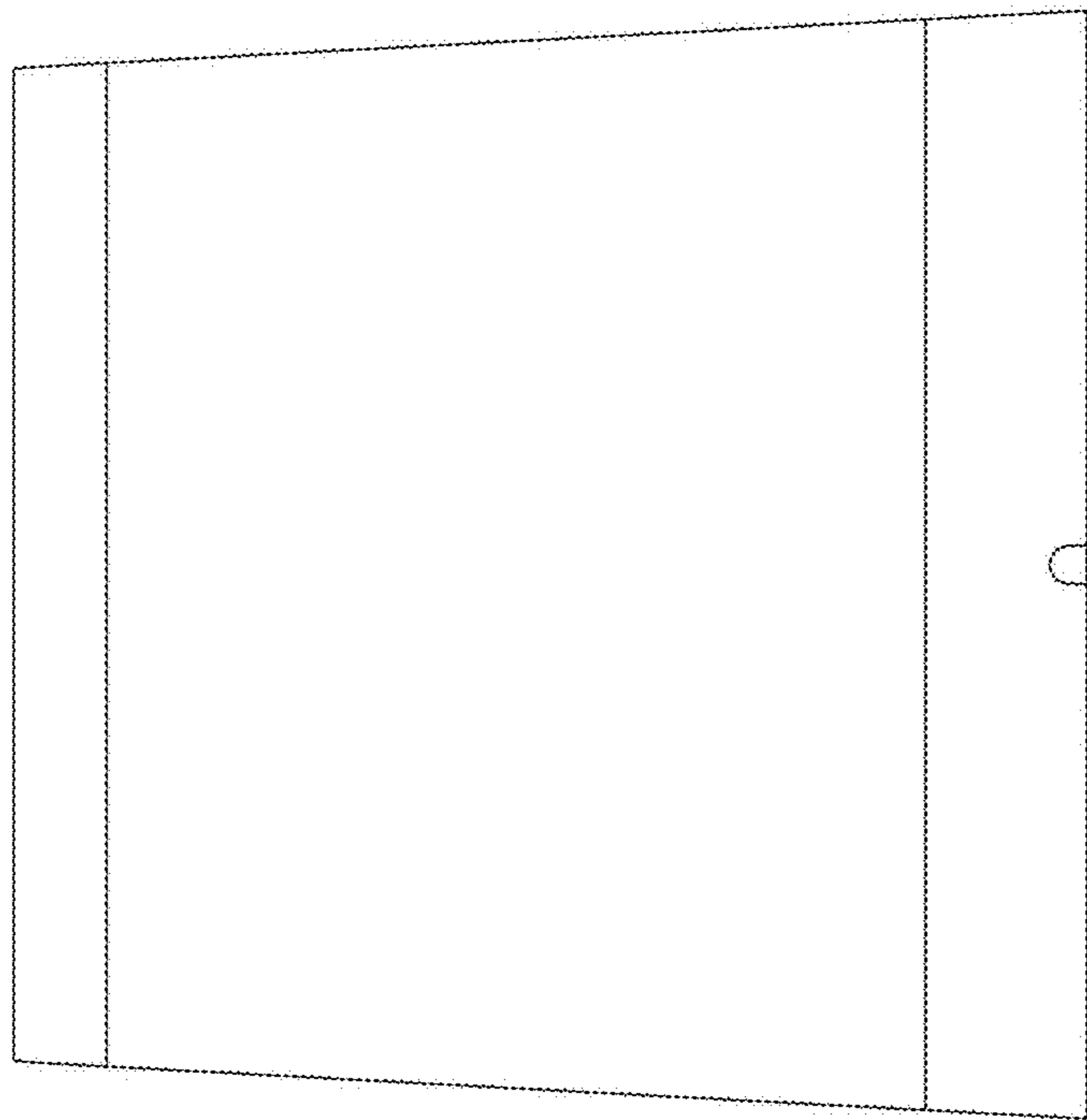


FIG. 3

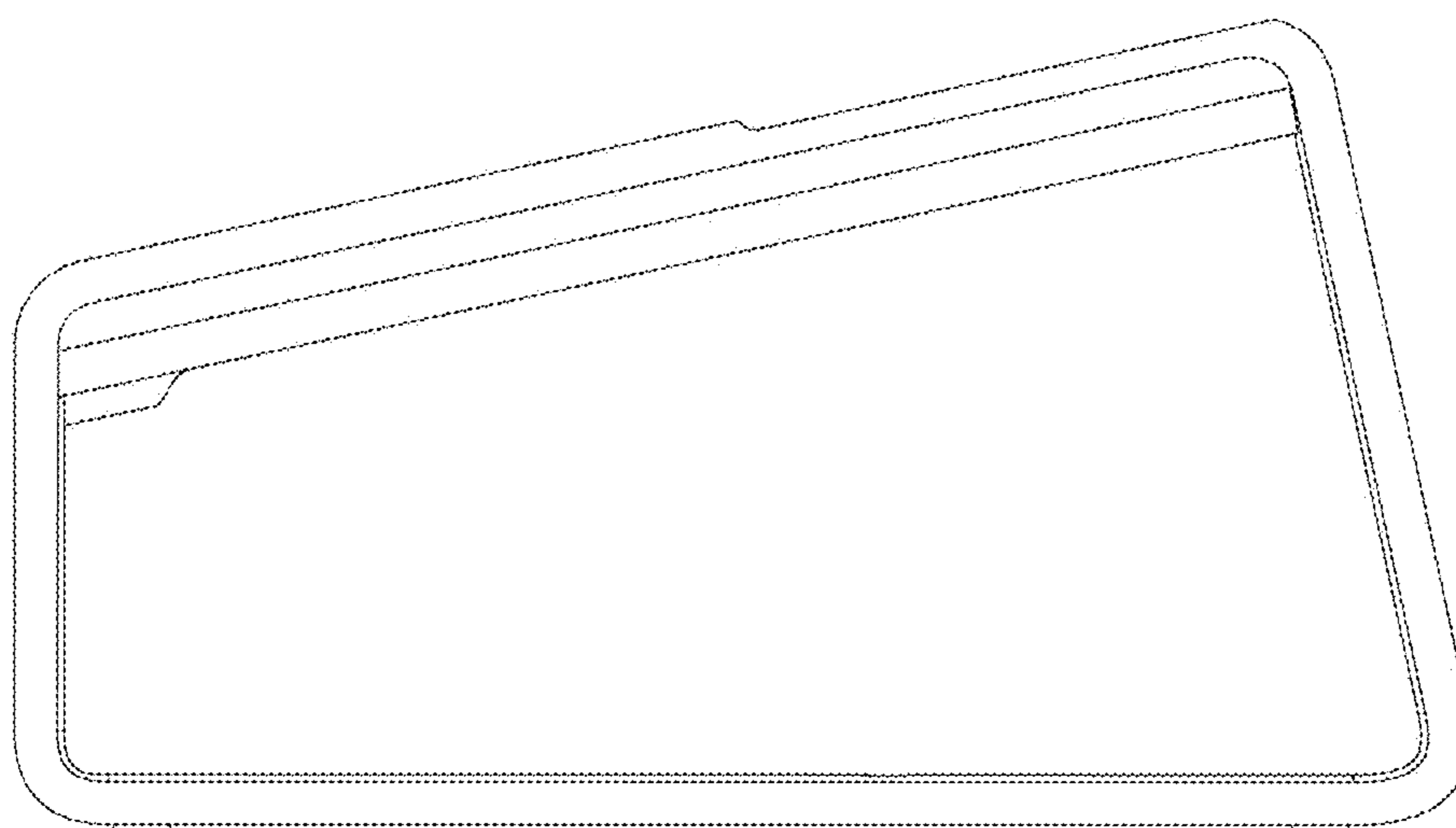


FIG. 4

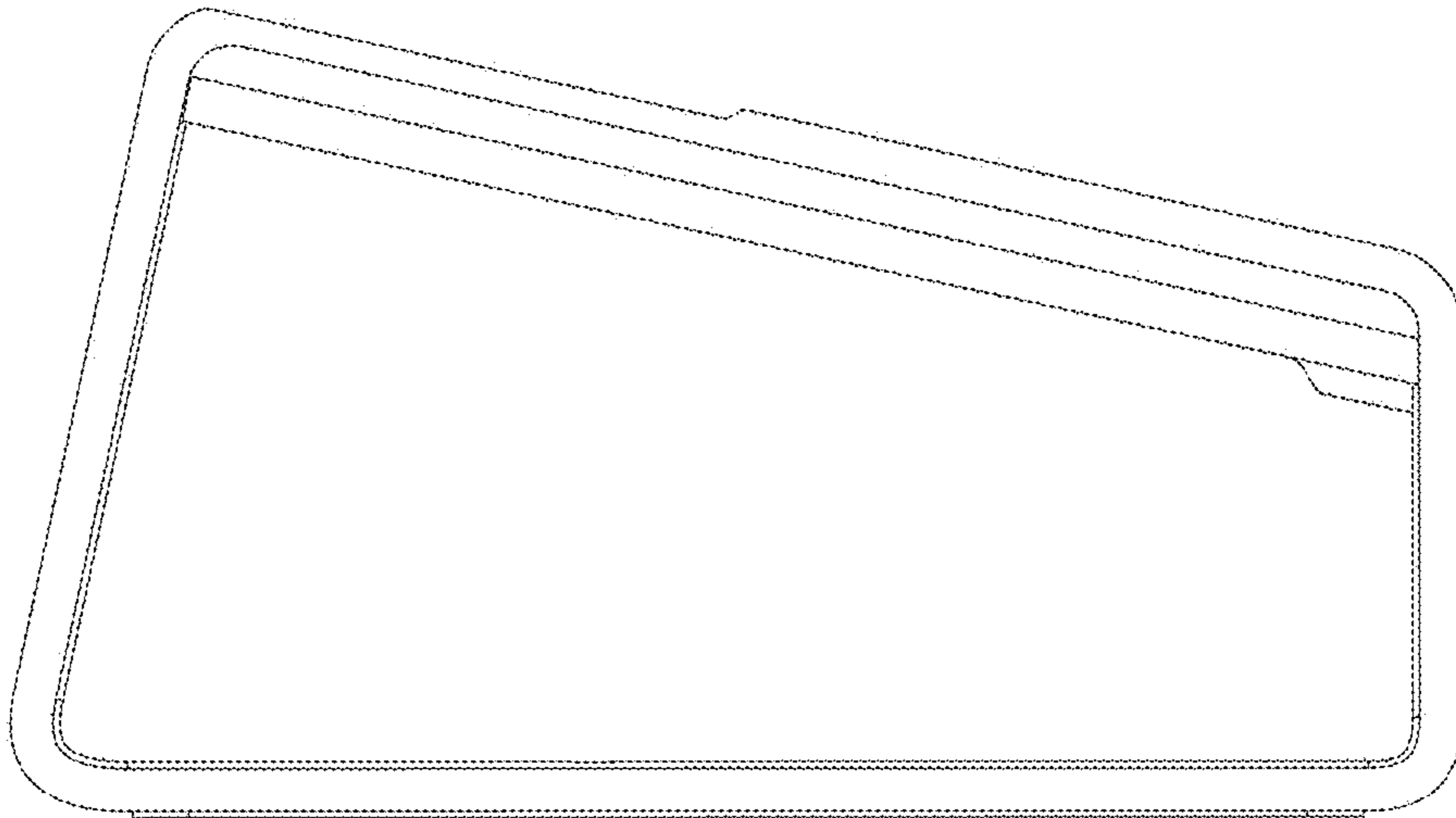


FIG. 5

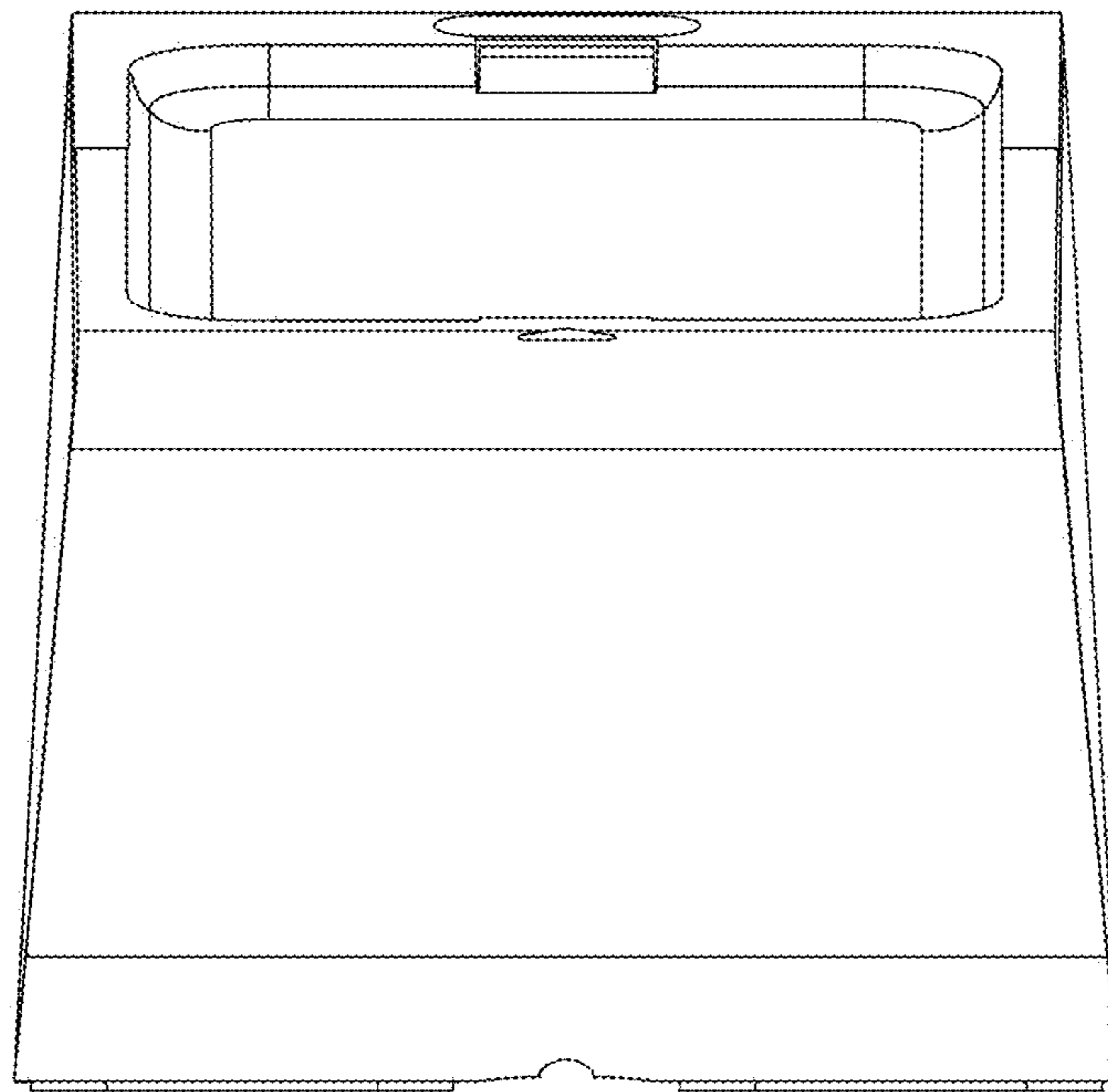


FIG. 6

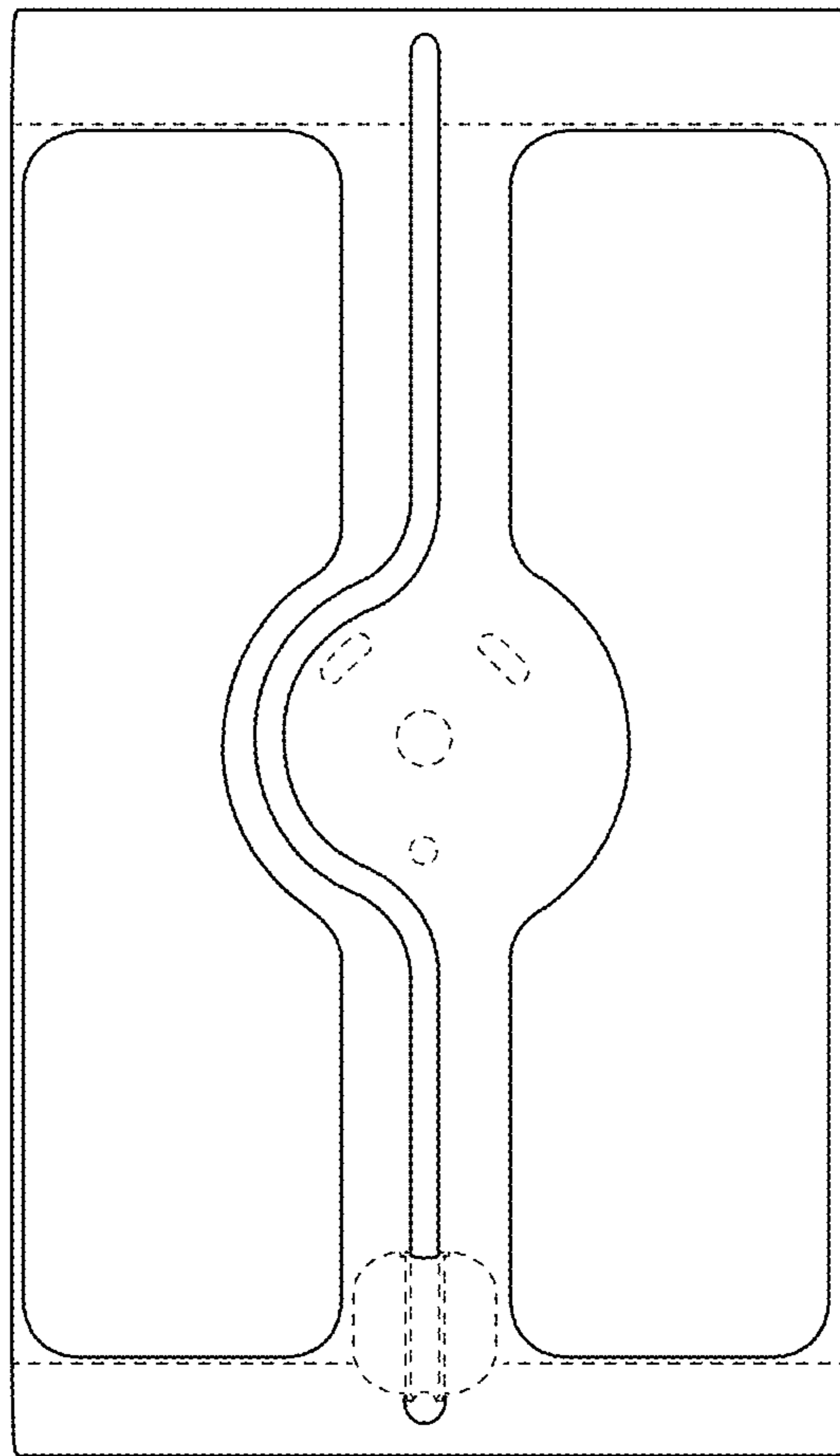


FIG. 7