



US00D902204S

(12) **United States Design Patent** (10) **Patent No.:** **US D902,204 S**
Li et al. (45) **Date of Patent:** **** Nov. 17, 2020**

(54) **BUILDING CONTROL MODULE**
(71) Applicant: **Honeywell International Inc.**, Morris Plains, NJ (US)

D628,199 S 11/2010 Yukikado et al.
D659,652 S * 5/2012 Wong D13/162.1
D678,084 S 3/2013 Beland et al.
(Continued)

(72) Inventors: **Peilin Li**, Shanghai (CN); **Haitao Li**, Beijing (CN); **Sandesh Devaraja**, Bengaluru (IN); **Ke Zhang**, Beijing (CN); **Yidan Zhao**, Shanghai (CN); **Unmesh Shankar Kulkarni**, Bangalore (IN)

OTHER PUBLICATIONS

NPL 1—JACE 8000 Controller; before Jan. 1, 2017; 6 pgs.; https://www.google.com/search?q=Honeywell+International+building+controller+before%3A2017-01-01&tbm=isch&ved=2ahUKEwj70K6EsZDoAhWJBN8KHbFPB1sQ2-cCegQIABAA&oeq=Honeywell+International+building+controller+before%3A2017-01-01&gs_l=img.3...378229.396120..397891...6.*

(73) Assignee: **Honeywell International Inc.**, Morris Plains, NJ (US)

(Continued)

(**) Term: **15 Years**

Primary Examiner — Selina Sikder

(74) *Attorney, Agent, or Firm* — Seager Tufte & Wickhem LLP

(21) Appl. No.: **29/712,562**

(22) Filed: **Nov. 8, 2019**

(51) **LOC (12) Cl.** **14-02**

(52) **U.S. Cl.**
USPC **D14/358**; D13/162.1

(58) **Field of Classification Search**
USPC D13/162, 162.1, 184; D10/49, 50; D14/240, 358
CPC G06F 1/181; G05B 11/01; G05B 15/02; G08C 17/00; G08C 17/02; H01Q 1/007; H04W 88/005; H04W 88/02; H04W 88/08; H04W 88/085; H04W 88/10; H04W 88/12; H04W 88/14; H04W 88/16; H02J 7/0042; H02J 7/0044; H02J 7/0068
See application file for complete search history.

(57) **CLAIM**

The ornamental design for a building control module, as shown and described.

DESCRIPTION

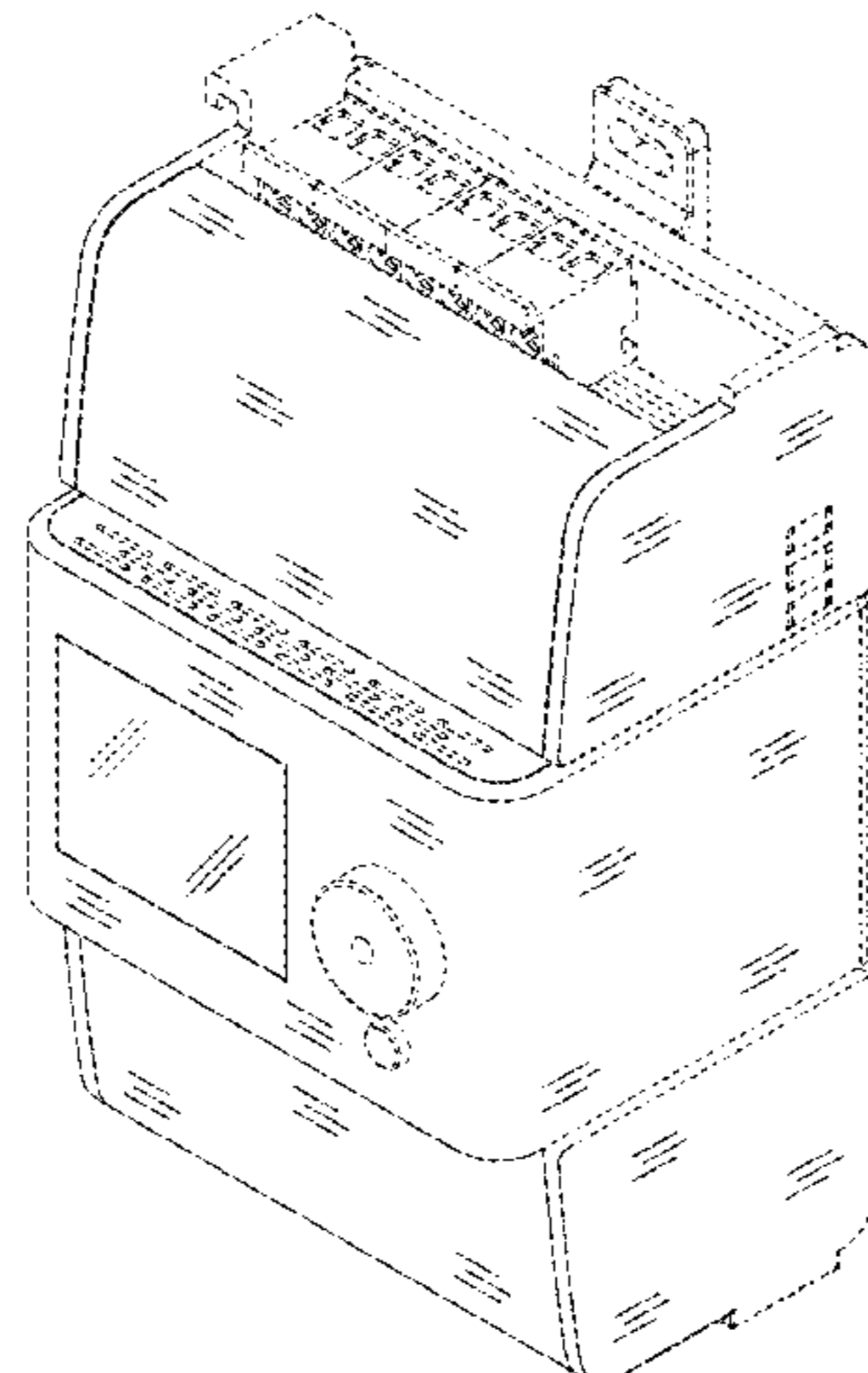
FIG. 1 is a perspective view of a building control module with a rectangular display screen on the front face; FIG. 2 is a front elevation view of the building control module of FIG. 1; FIG. 3 is a top plan view of the building control module of FIG. 1; FIG. 4 is a bottom plan view of the building control module of FIG. 1; FIG. 5 is a left side view of the building control module of FIG. 1; FIG. 6 is a right side view of the building control module of FIG. 1; and, FIG. 7 is a perspective view of the building control module of FIG. 1 with top and bottom covers removed. In the drawings, the claimed design is defined by the shaded surfaces; broken lines immediately adjacent shaded surfaces represent boundaries of the claim and form no part thereof;

(Continued)

(56) **References Cited**

U.S. PATENT DOCUMENTS

D400,180 S * 10/1998 Shimizu D13/162.1
D578,029 S 10/2008 Plewa
D596,963 S 7/2009 Novotny et al.
D596,964 S 7/2009 Wang et al.
D607,843 S 1/2010 Borax
D620,454 S * 7/2010 Lissola D13/164



all other broken lines depict unclaimed environmental subject matter and form no part of the claim.

D828,816 S 9/2018 Spors et al.
D865,731 S * 11/2019 Sun D14/240
D873,269 S * 1/2020 Hu D14/358

1 Claim, 7 Drawing Sheets

OTHER PUBLICATIONS

(56)

References Cited

U.S. PATENT DOCUMENTS

D705,223 S 5/2014 Akana et al.
D720,633 S 1/2015 Novotny et al.
D735,667 S 8/2015 Mielnik et al.
D758,365 S * 6/2016 Shimano D14/358
D762,842 S 8/2016 Kokeny et al.
D765,031 S 8/2016 Mielnik et al.
D768,585 S * 10/2016 Moore D13/184
D774,005 S 12/2016 Ye et al.
D792,353 S * 7/2017 Yoshida D13/162
D793,967 S * 8/2017 Leeland D10/50
D815,606 S * 4/2018 Nada D13/162.1

“Building Controller-Google Search,” Google, 34 pages, accessed Dec. 28, 2018.

“Building Controller Honeywell—Google Search,” Google, 34 pages, accessed Dec. 28, 2018.

“Advantech Introduces New Direct Digital Controller with Integrated BACNet Router-BAS-3500BC,” Advantech, 1 page, Dec. 2012.

“Advantech Launches Full-Featured Building Automation Controller Series,” Design World Staff, 9 pages, Jan. 28, 2009.

U.S. Appl. No. 29/662,117, “Building Controller,” filed Sep. 1, 2018.

U.S. Appl. No. 29/662,118, “User Interface Module and Mounting Base for a Building Control System,” filed Sep. 1, 2018.

* cited by examiner

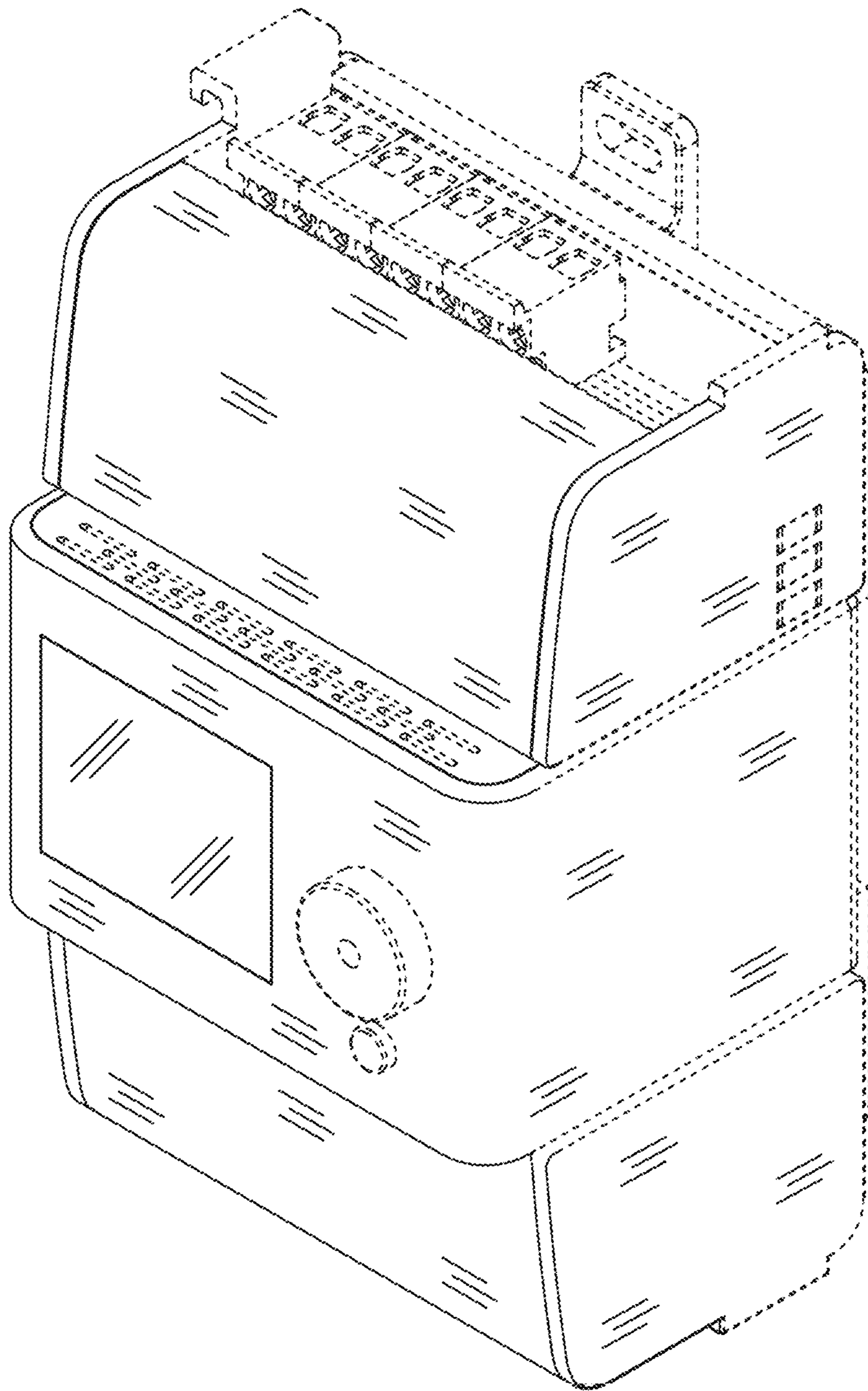


FIG. 1

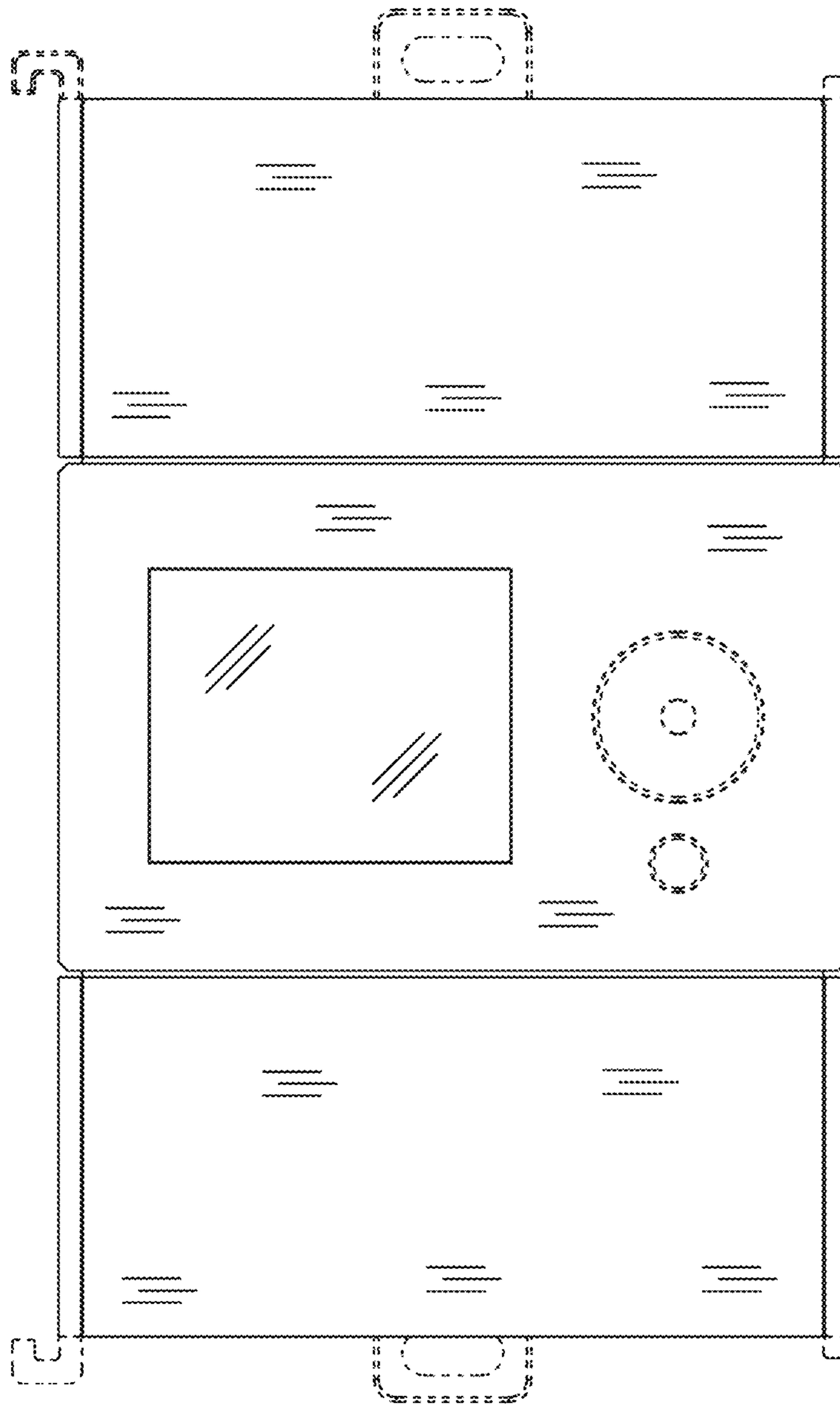


FIG. 2

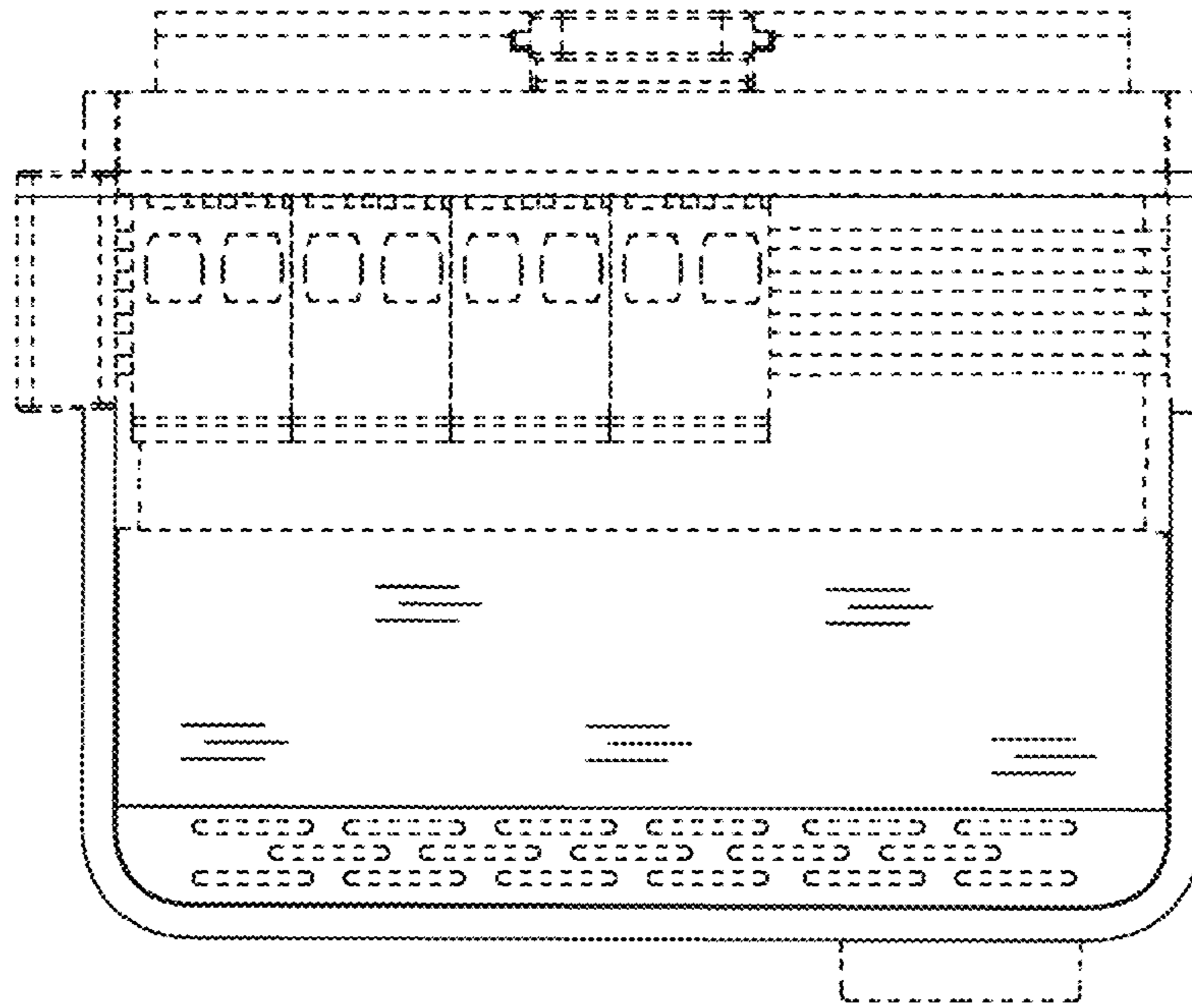


FIG. 3

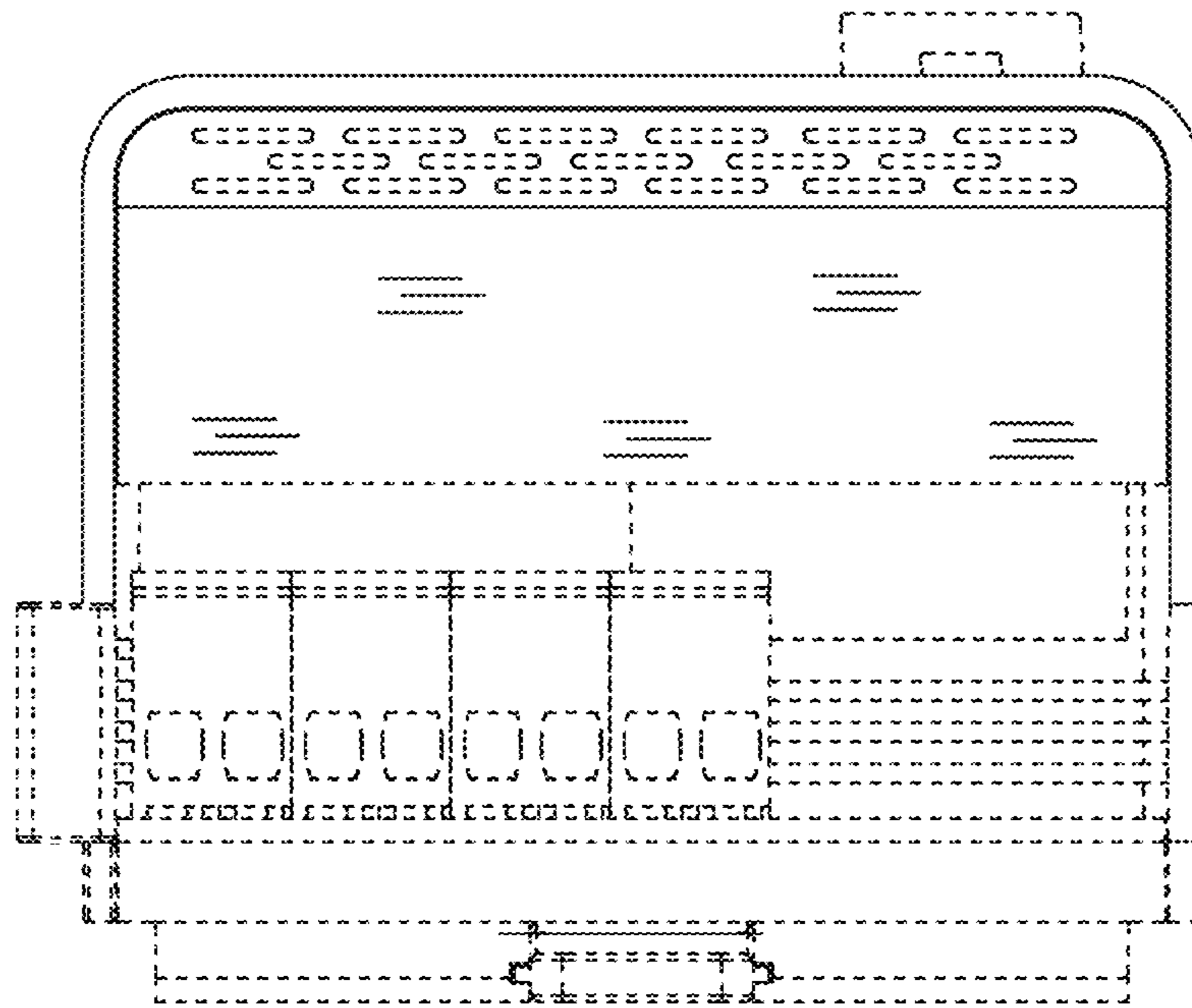


FIG. 4

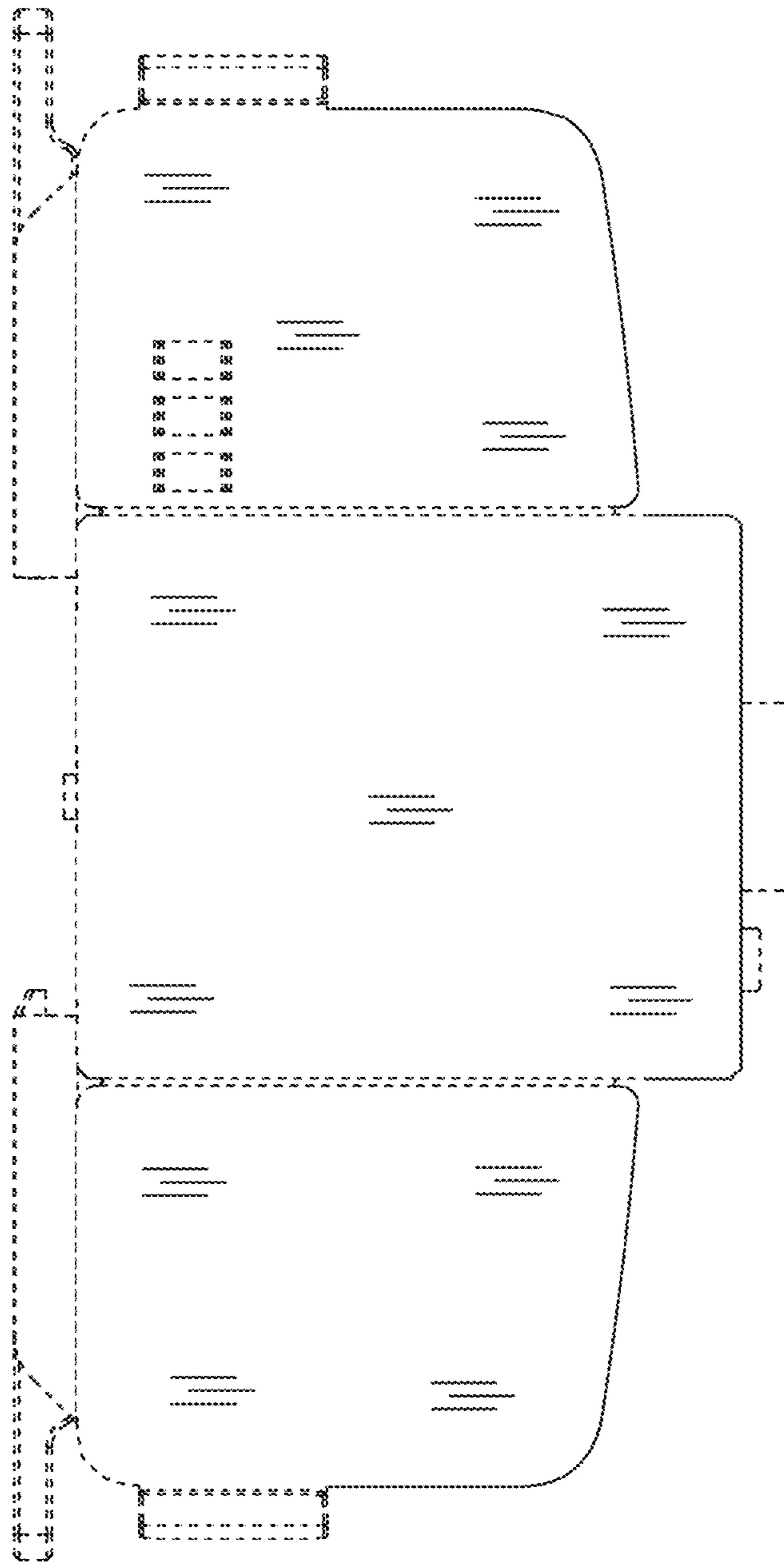


FIG. 5

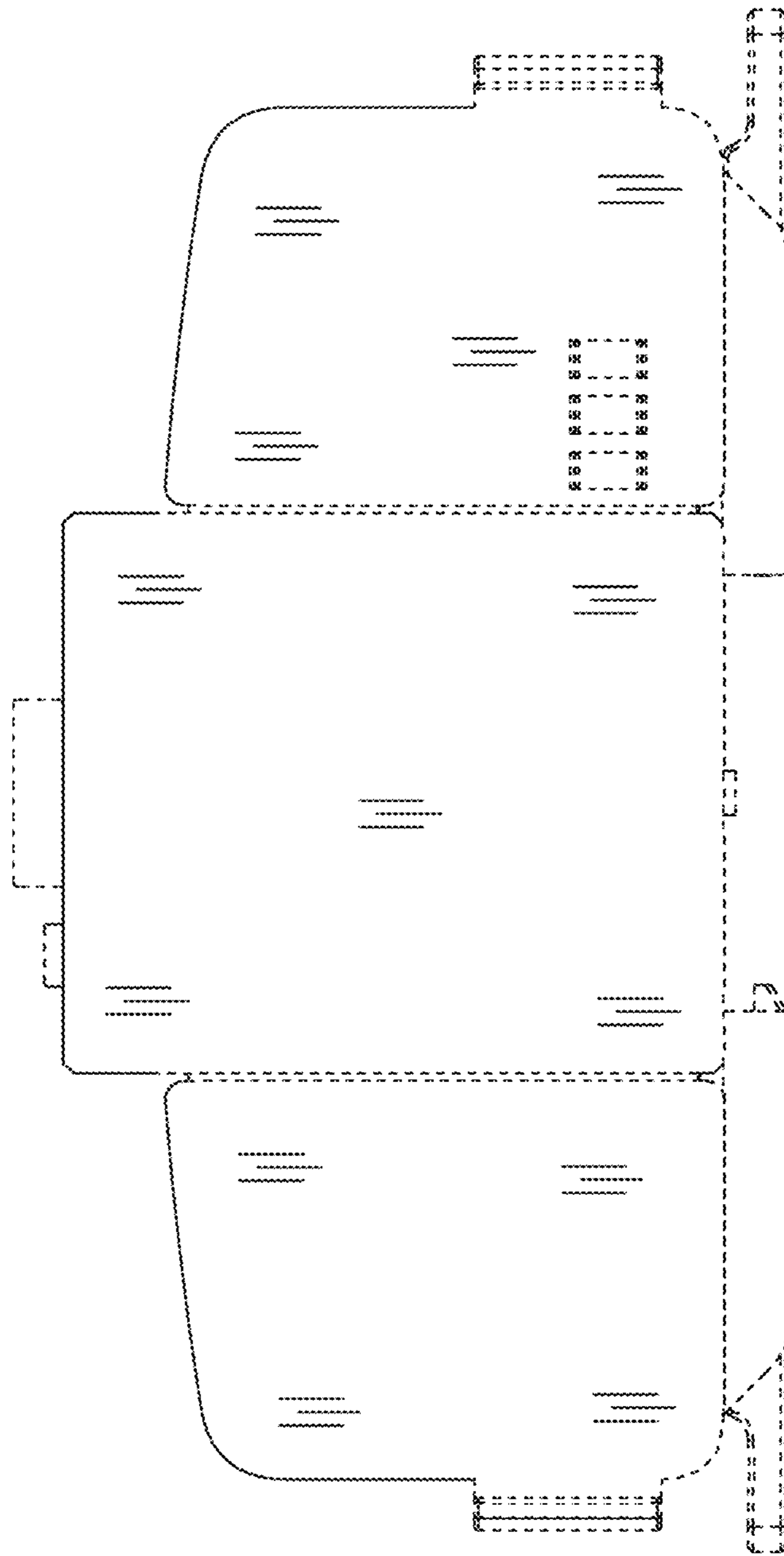


FIG. 6

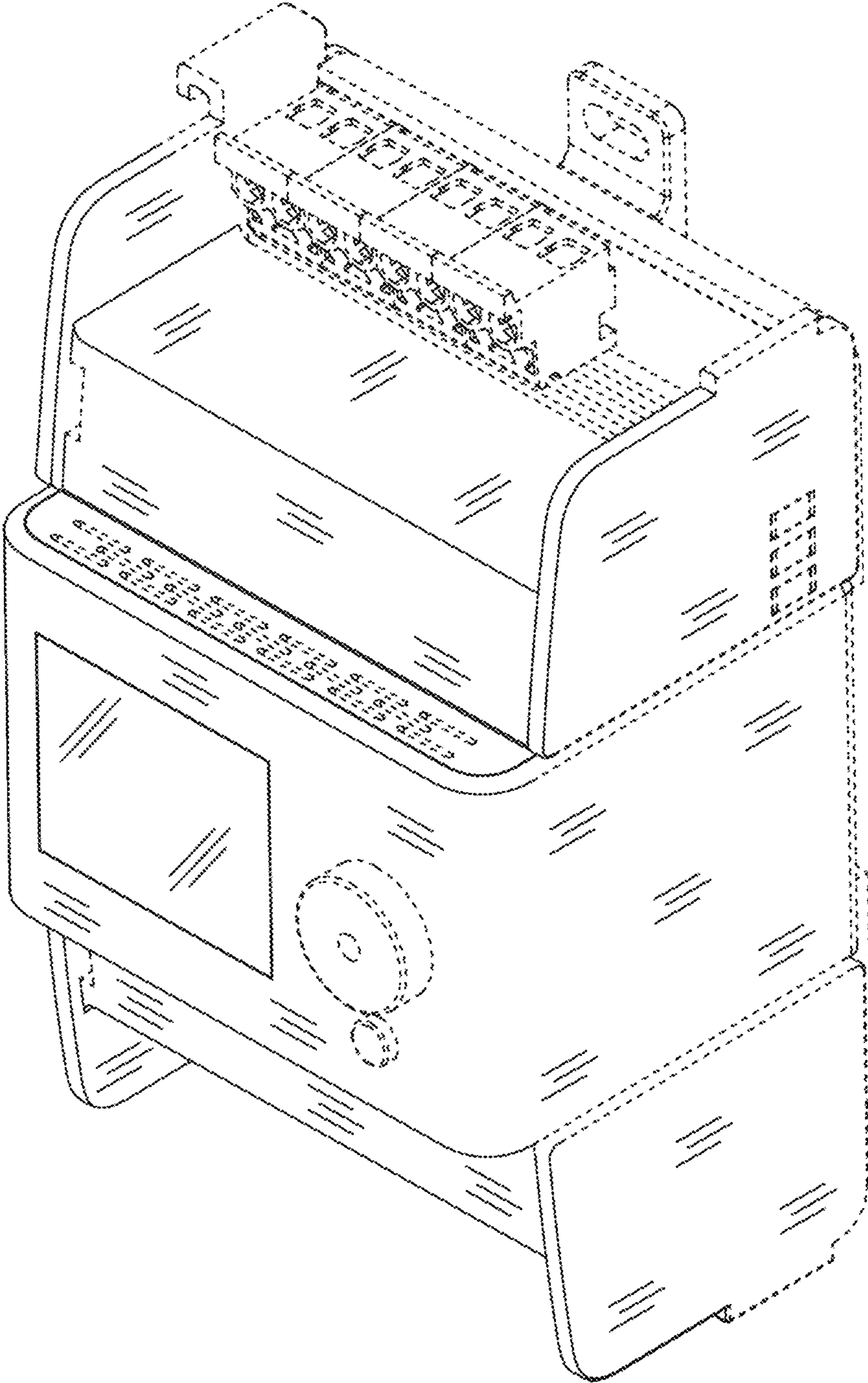


FIG. 7