



US00D902202S

(12) **United States Design Patent**
Fung et al.

(10) **Patent No.:** **US D902,202 S**
(45) **Date of Patent:** **** Nov. 17, 2020**

- (54) **KITCHEN TABLET**
- (71) Applicant: **TecPal Ltd.**, Wanchai (HK)
- (72) Inventors: **Mark Fung**, New Territories (HK);
Lars Junker, Kowloon (HK)
- (73) Assignee: **TecPal Ltd.**, Wanchai (HK)
- (**) Term: **15 Years**
- (21) Appl. No.: **29/680,740**
- (22) Filed: **Feb. 19, 2019**

D778,100 S *	2/2017	Kim	D7/346
D789,137 S *	6/2017	Lee	D7/346
D838,715 S *	1/2019	Chen	D14/341
D887,403 S *	6/2020	Matsushita	D14/307

FOREIGN PATENT DOCUMENTS

CN 201530242392 * 2/2016

OTHER PUBLICATIONS

CookingPal Julia Countertop MultiCooker, Jan. 7, 2020 [online], [retrieved Jul. 19, 2020], Retrieved from Internet, URL: <https://www.gadgetgram.com/2020/01/07/cookingpal-julia-countertop-multicooker/> (Year: 2020).*

* cited by examiner

Primary Examiner — Barbara Fox
Assistant Examiner — Aram Kwon

(74) *Attorney, Agent, or Firm* — Berenato & White, LLC

(30) **Foreign Application Priority Data**

Nov. 8, 2018 (EM) 005820669

(51) **LOC (12) Cl.** **14-02**

(52) **U.S. Cl.**
USPC **D14/341**; D14/336

(58) **Field of Classification Search**
USPC D14/126–128, 138 AC, 138 R, 203.3,
D14/341–346; D10/65
CPC G06F 1/16; G06F 1/1601; G06F 1/1637;
H04N 5/64; H05K 5/0204; H05K 5/0017;
H05K 5/0217

See application file for complete search history.

(56) **References Cited**

U.S. PATENT DOCUMENTS

6,494,527 B1 *	12/2002	Bischoff	B60H 1/00985 296/208
D600,727 S *	9/2009	Apotheloz	D16/131
D695,285 S *	12/2013	Smith	D14/307
D697,910 S *	1/2014	Bianco	D14/336
D710,715 S *	8/2014	Bianco	D10/41
8,870,509 B2 *	10/2014	Hirasawa	G09F 9/00 411/427
D720,393 S *	12/2014	Held	D18/4.4
D761,899 S *	7/2016	Beatty	D18/4.6

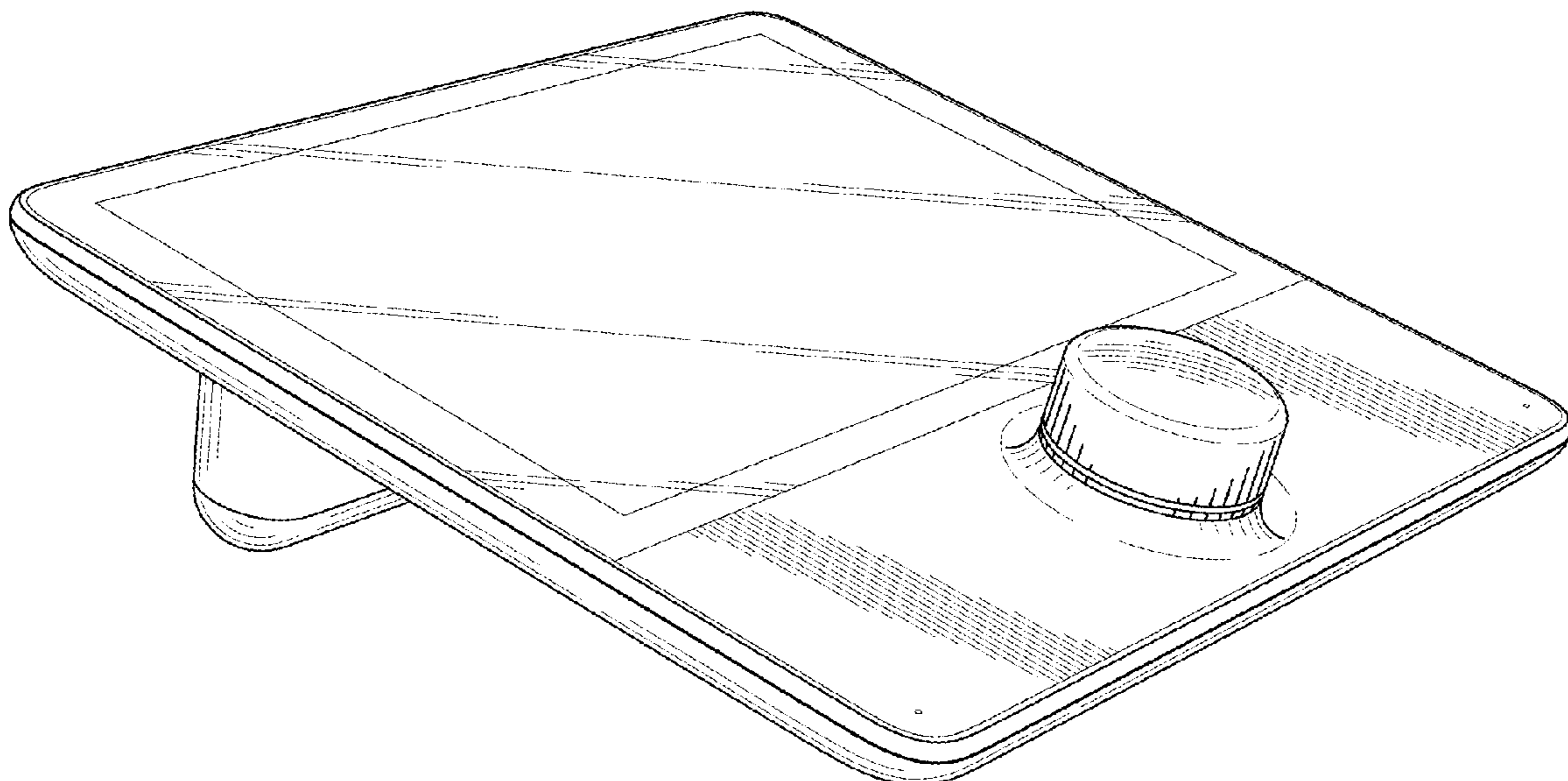
(57) **CLAIM**

The ornamental design for a kitchen tablet, as shown and described.

DESCRIPTION

FIG. 1 is a top perspective view of the kitchen tablet, showing our new design;
FIG. 2 is a bottom perspective view thereof;
FIG. 3 is a top view thereof;
FIG. 4 is a bottom view thereof;
FIG. 5 is a left side view thereof;
FIG. 6 is a right side view thereof;
FIG. 7 is a rear view thereof; and,
FIG. 8 is a front view thereof.

1 Claim, 6 Drawing Sheets



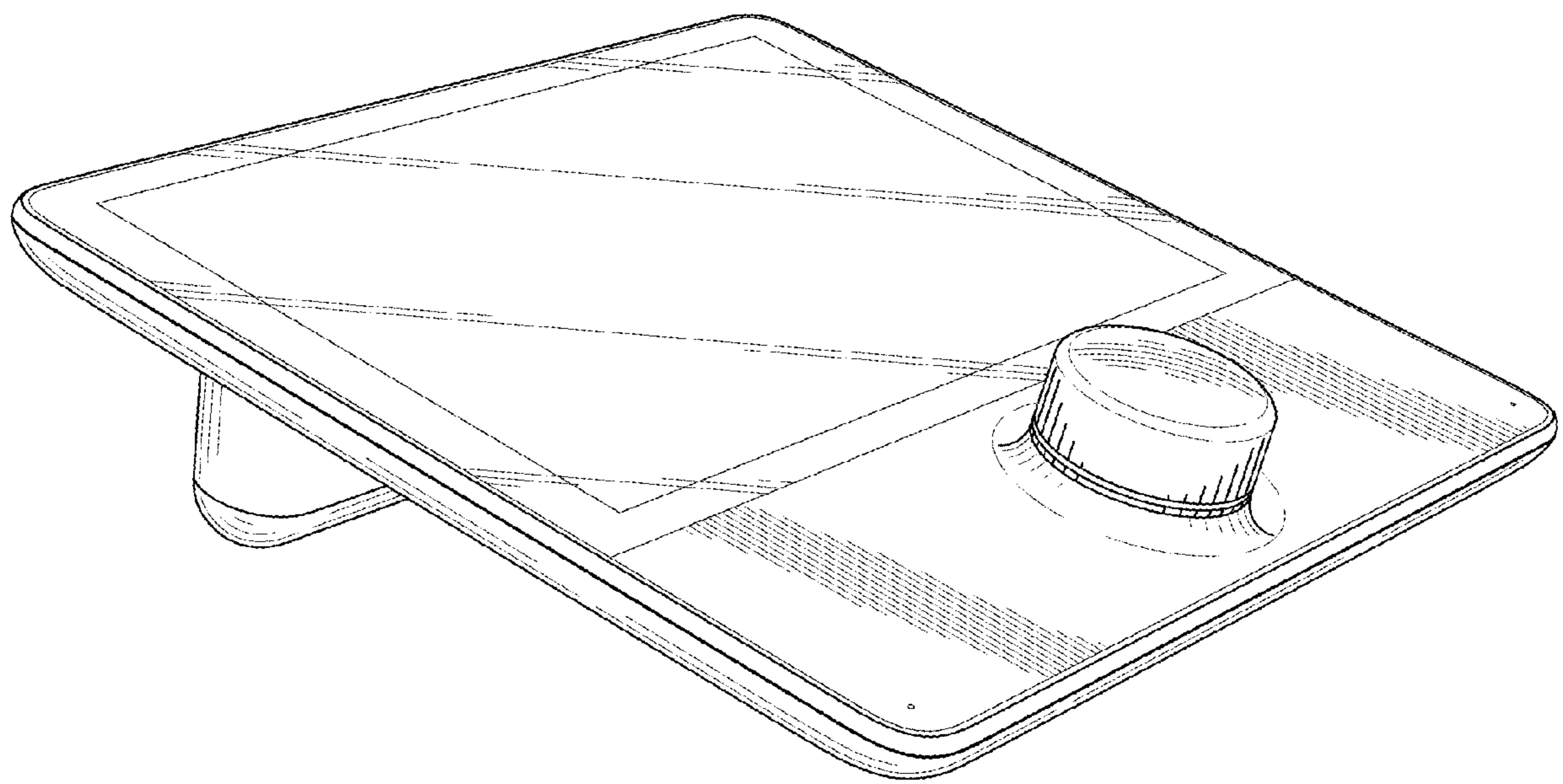


FIG. 1

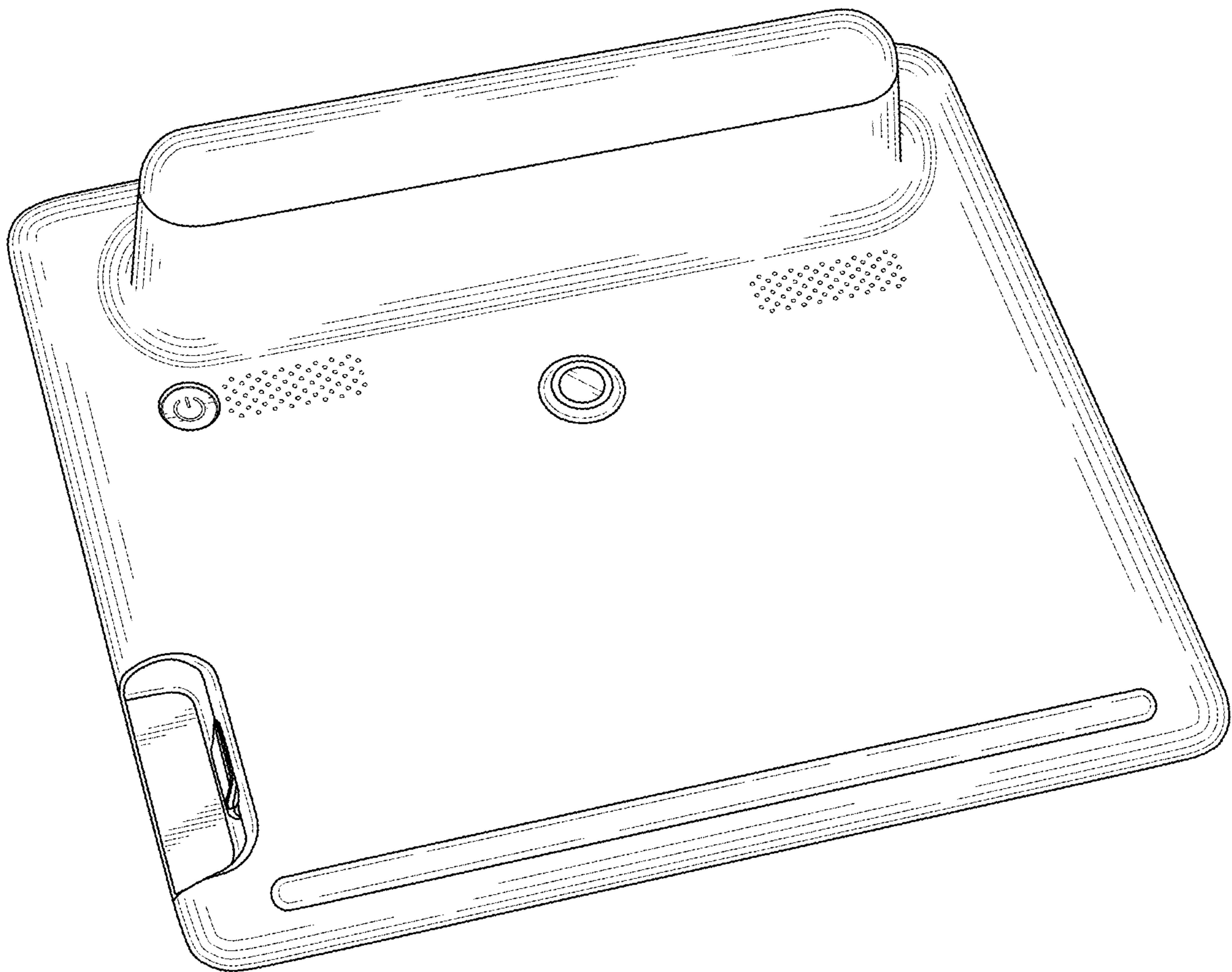


FIG. 2

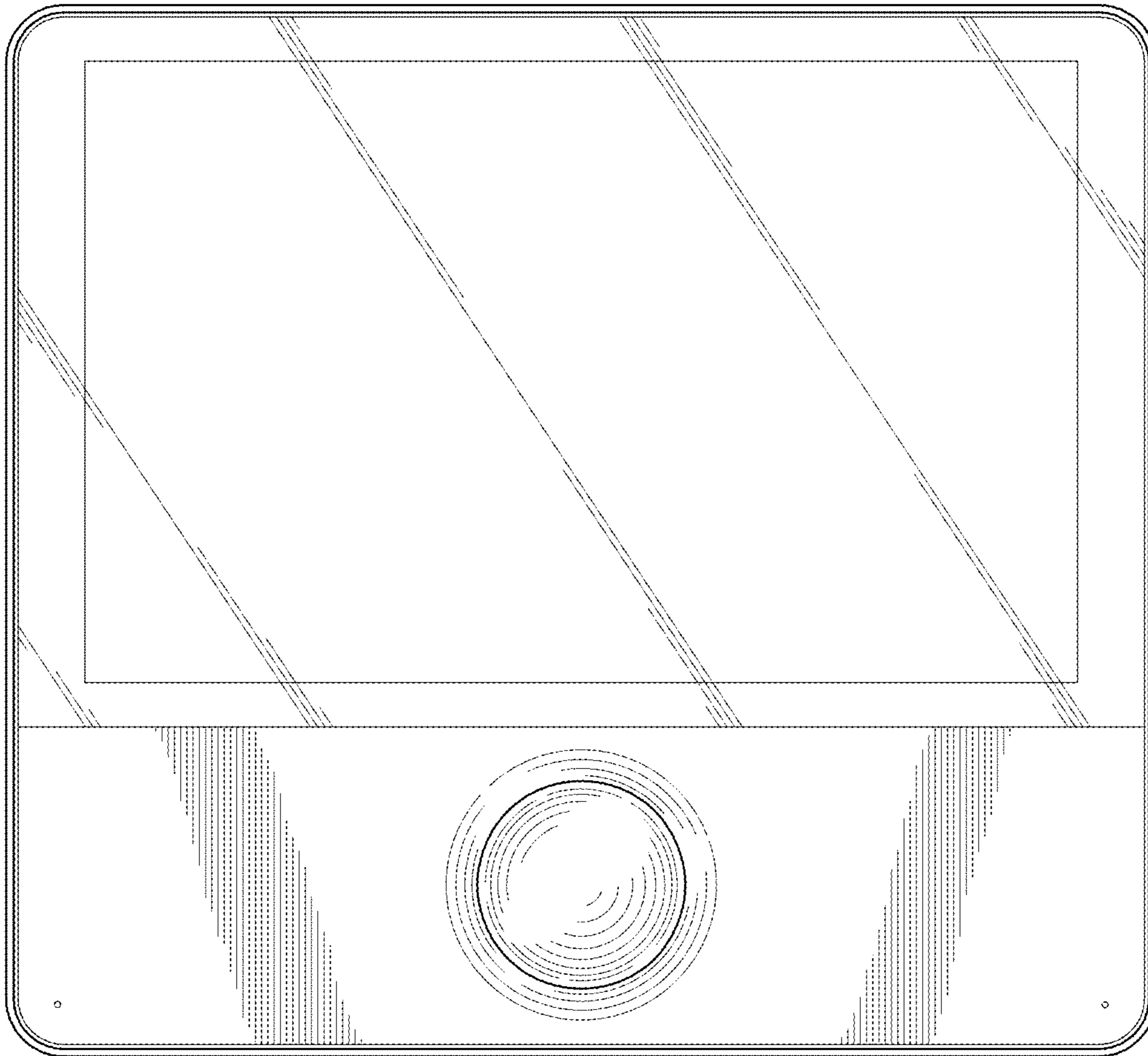


FIG. 3

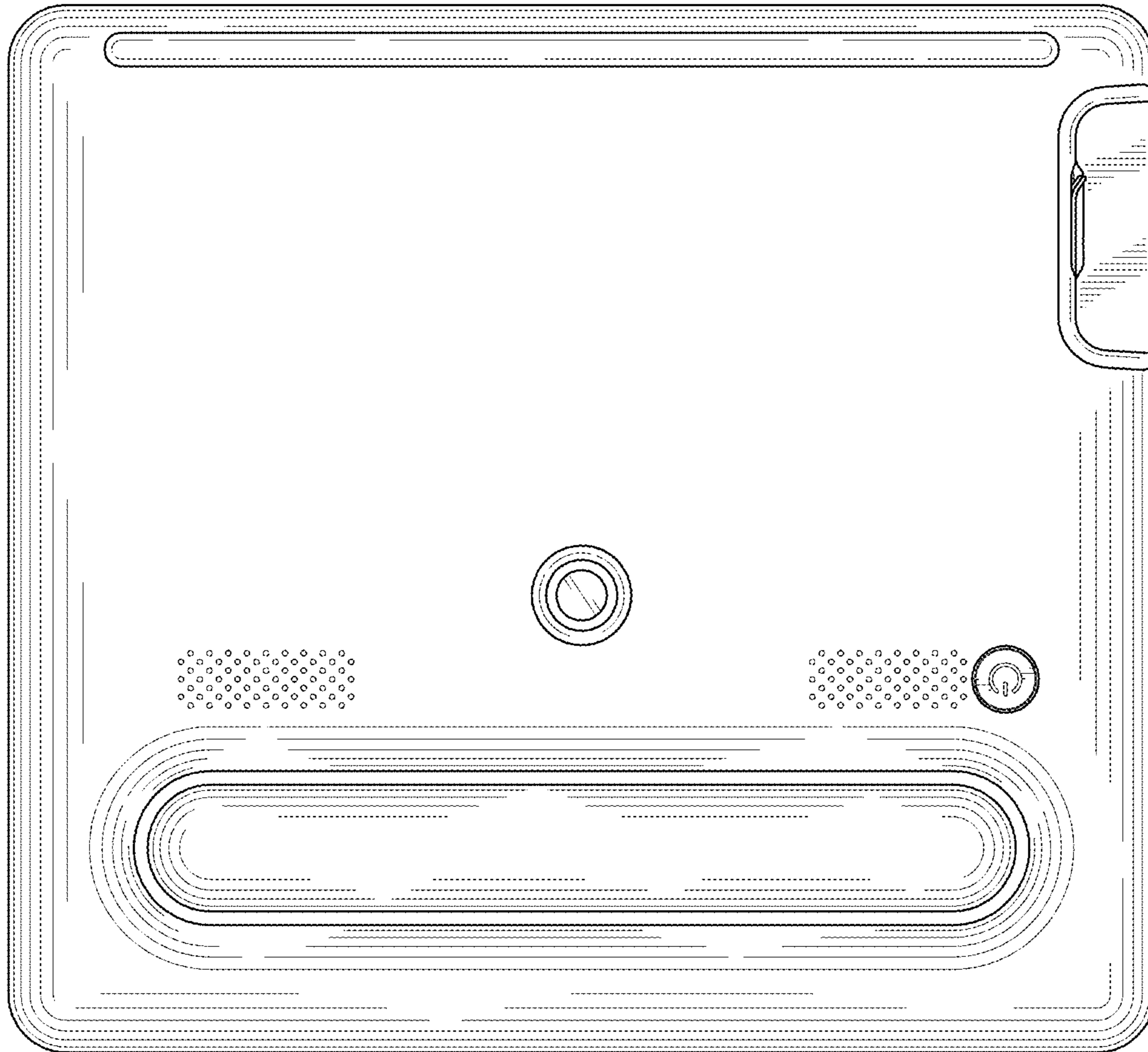


FIG. 4

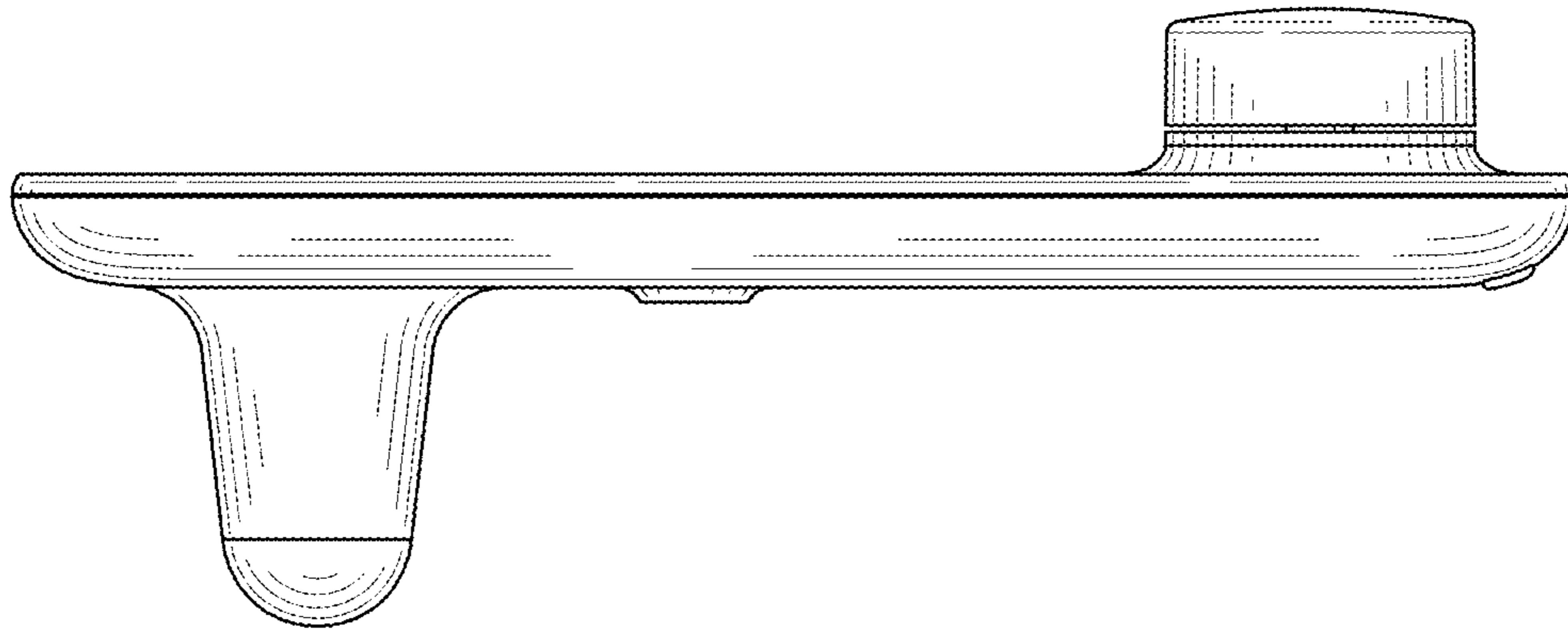


FIG. 5

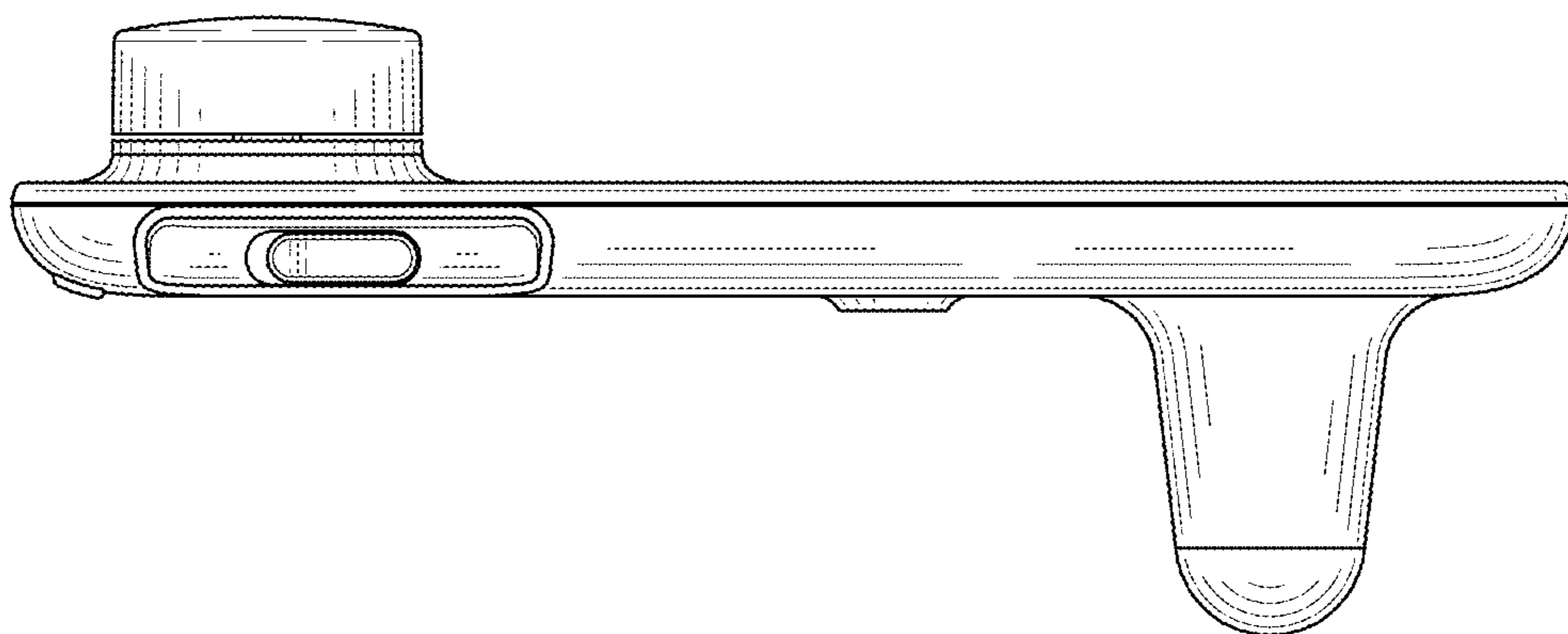


FIG. 6

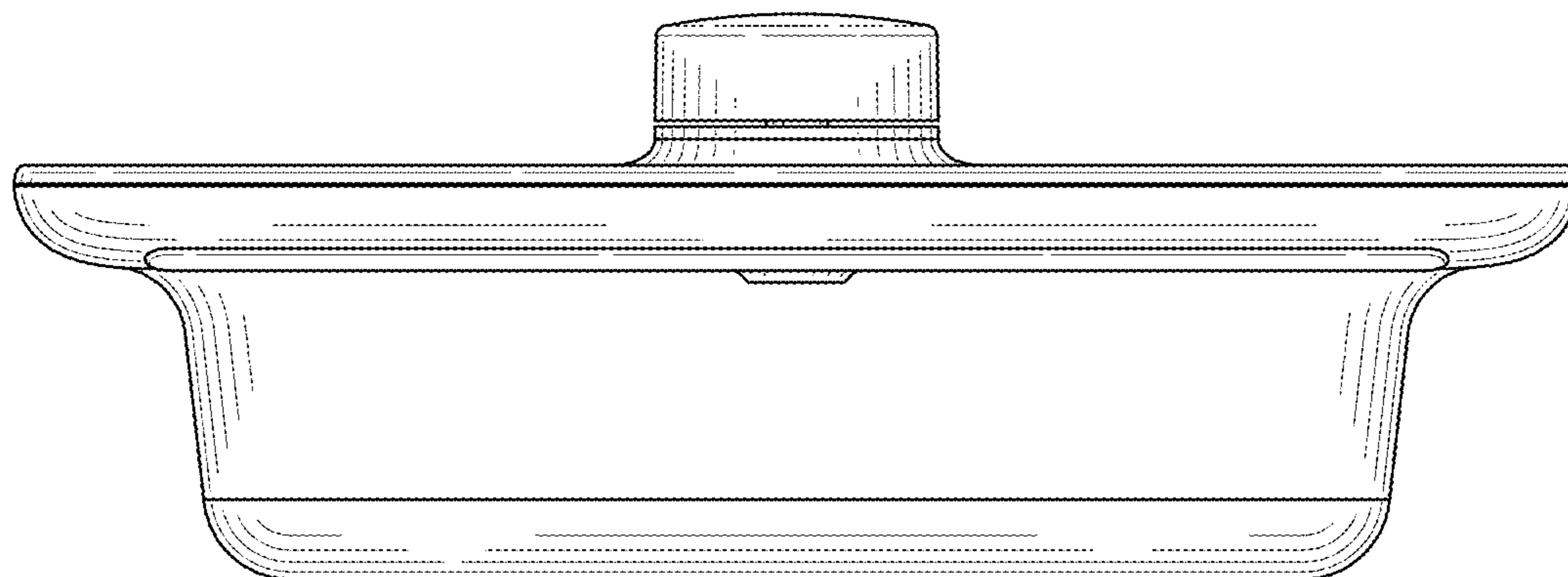


FIG. 7

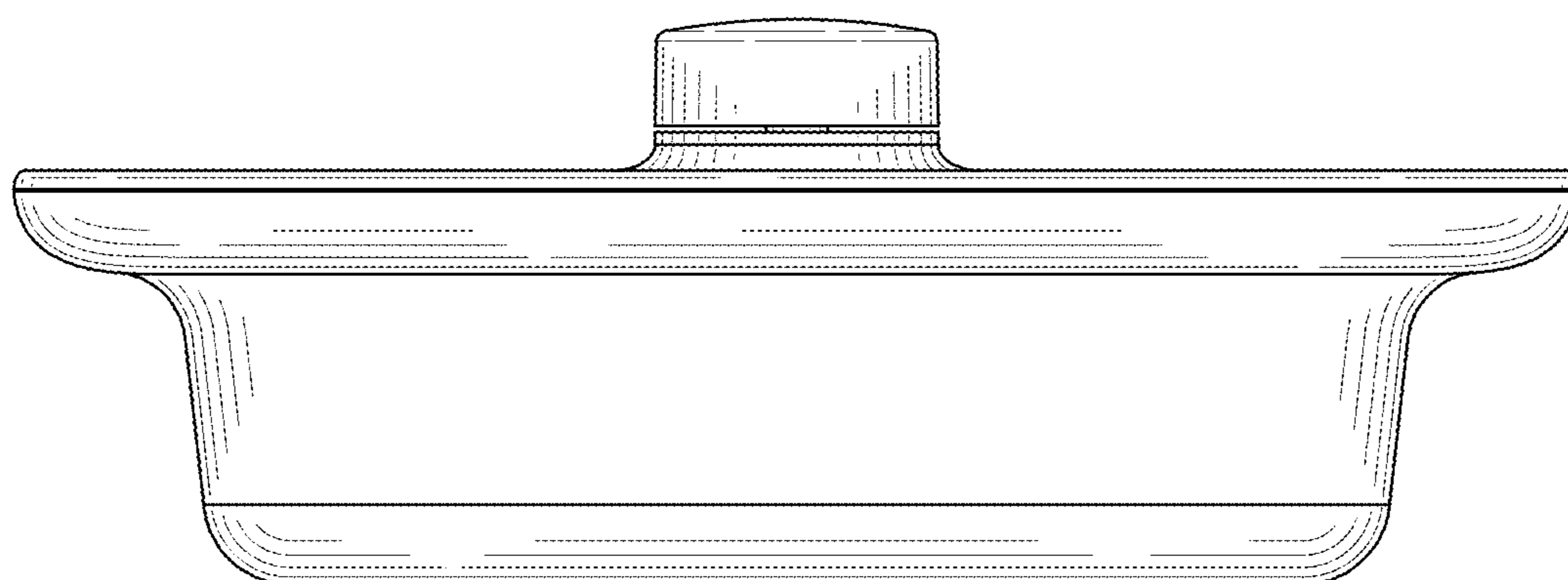


FIG. 8