



US00D902197S

(12) **United States Design Patent** (10) **Patent No.:** **US D902,197 S**
Cloak (45) **Date of Patent:** **** Nov. 17, 2020**

- (54) **SHOPPING KIOSK**
- (71) Applicant: **AVI LLC**, Warminster, PA (US)
- (72) Inventor: **Joanne Carrie Cloak**, Warminster, PA (US)
- (73) Assignee: **AVI LLC**, Warminster, PA (US)
- (**) Term: **15 Years**
- (21) Appl. No.: **29/680,997**
- (22) Filed: **Feb. 21, 2019**
- (51) **LOC (12) Cl.** **14-02**
- (52) **U.S. Cl.**
USPC **D14/307**; D18/4.4
- (58) **Field of Classification Search**
USPC D14/300, 301, 302, 307, 357, 383, 385,
D14/434, 435.1, 436, 496, 130, 900, 901,
D14/902, 168, 173, 447; D13/107, 108;
D18/2, 3.1, 4.4, 4.5, 4.6, 12, 12.1, 12.3;
D99/28, 31, 34, 36, 43; D10/42, 46;
D20/1, 2, 3, 7, 8, 10; D6/315, 319, 328,
D6/343, 642, 648.1
CPC G07F 7/0873; G07F 7/088; G07F 7/0893;
G06Q 20/18; G06Q 20/20; G06Q
2240/00; B60L 53/00; B60L 53/30; B60L
53/305; B60L 53/50; G06F 2213/40;
G06F 2213/4004; H04N 21/41; H04N
21/415; H04N 21/418; Y02T 90/12
See application file for complete search history.

(56) **References Cited**

U.S. PATENT DOCUMENTS

- D38,128 S * 7/1906 McLouth D20/1
- D53,273 S * 5/1919 Messinger D20/1
- D83,112 S * 1/1931 Kurtz D20/1
- D103,559 S * 3/1937 Ashe D20/1
- D107,502 S * 12/1937 Delf D20/1

- D151,033 S * 9/1948 Emerson D20/1
- D151,952 S * 12/1948 Babcock D20/1
- D153,802 S * 5/1949 Hokinson D20/1
- D157,582 S * 3/1950 Frick D20/1
- D174,007 S * 2/1955 Tailer D20/4
- D203,471 S * 1/1966 Raichow D20/1
- D224,145 S * 7/1972 Ussery D20/1
- 4,310,749 A * 1/1982 Gomez G07D 3/00
235/29 R
- D272,291 S * 1/1984 Hauser 902/30
- D315,110 S * 3/1991 Slater D20/1
- D330,983 S * 11/1992 De Moss D20/1
- D335,149 S * 4/1993 Dabrowski D20/1
- D346,826 S * 5/1994 Marks D20/3
- D365,370 S * 12/1995 Yurchak D20/1
- 5,509,572 A * 4/1996 Curtis G07F 7/00
198/411

(Continued)

Primary Examiner — Marie D. Fast Horse
(74) *Attorney, Agent, or Firm* — Troutman Pepper
Hamilton Sanders LLP

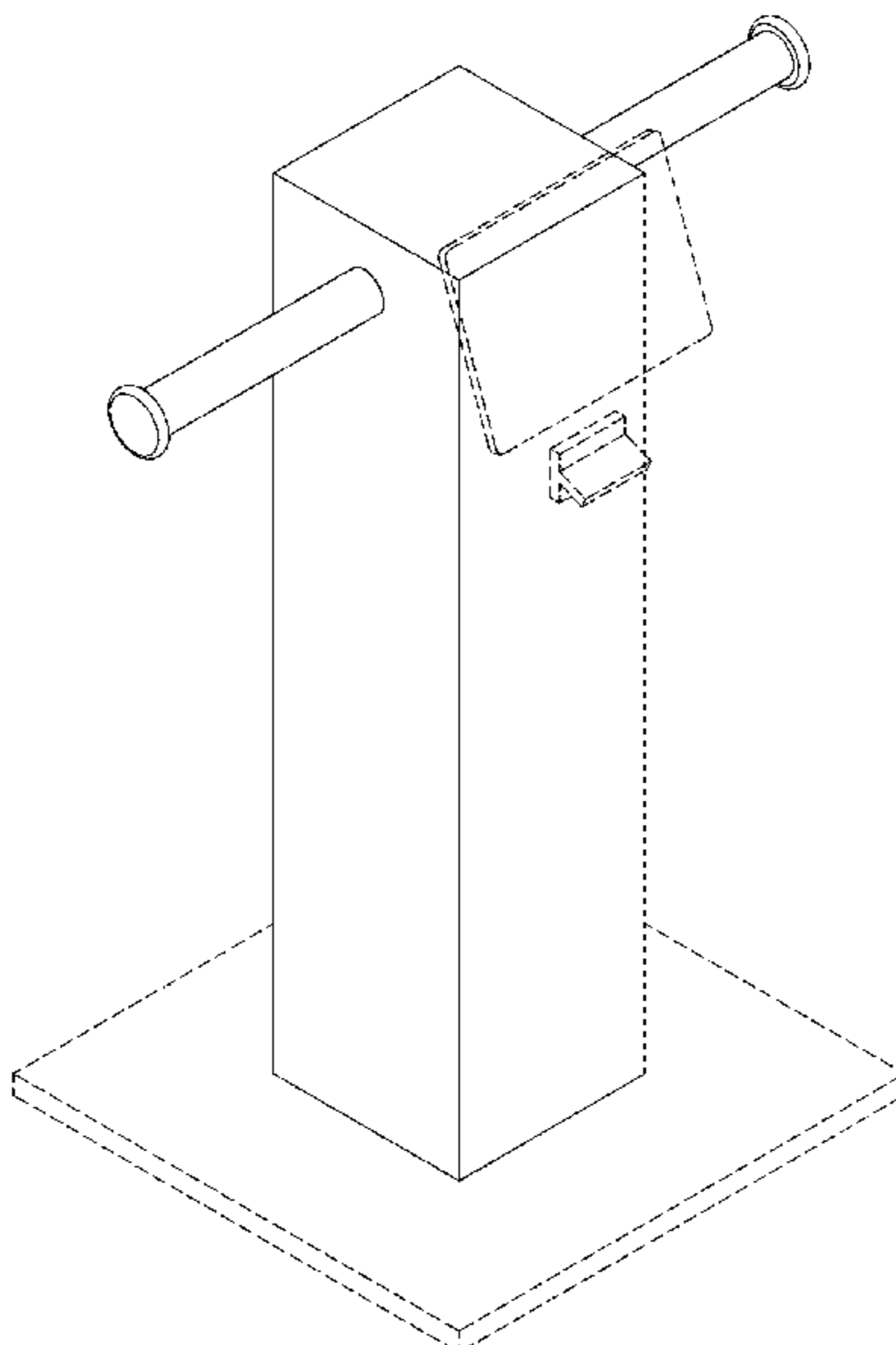
(57) **CLAIM**

I claim an ornamental design for a shopping kiosk, as shown and described.

DESCRIPTION

FIG. 1 is a front perspective view of a shopping kiosk in accordance with the design.
FIG. 2 is a front view thereof;
FIG. 3 is a rear view thereof;
FIG. 4 is a left side view thereof;
FIG. 5 is a right side view thereof;
FIG. 6 is a top view thereof;
FIG. 7 is a bottom view thereof; and,
FIG. 8 is a front perspective view thereof, shown in use wherein two pieces of environmental clothing are hung on bars of the shopping kiosk.
The broken lines in the drawings depict unclaimed environment only and form no part of the claim.

1 Claim, 7 Drawing Sheets



(56)

References Cited

U.S. PATENT DOCUMENTS

5,695,038 A * 12/1997 Keith, III G07D 11/26
 194/206
 D398,133 S * 9/1998 Johnson D99/28
 D407,755 S * 4/1999 Isshiki D14/375
 D413,868 S * 9/1999 Hesselbach D14/387
 D442,560 S * 5/2001 Price D13/163
 D483,761 S * 12/2003 Berr D14/383
 D487,777 S * 3/2004 Roatis D20/8
 D530,880 S * 10/2006 Magee D99/28
 D544,921 S * 6/2007 Roatis D20/8
 D592,825 S * 5/2009 Kang D99/28
 D639,815 S * 6/2011 Lye D14/447
 D659,748 S * 5/2012 Helgesson D18/4.6
 D661,293 S * 6/2012 Kuroda D14/307
 D676,038 S * 2/2013 Masuda D14/307
 D677,714 S * 3/2013 Helgesson D18/4.4
 D679,745 S * 4/2013 Helgesson D18/4.4
 D681,717 S * 5/2013 Helgesson D18/4.6
 D684,793 S * 6/2013 Kikkert D6/674
 D701,365 S * 3/2014 Kimoto D99/43
 D702,415 S * 4/2014 Kimoto D99/43
 D702,675 S * 4/2014 Jones D14/307
 D707,012 S * 6/2014 Swaine D99/28
 D734,315 S * 7/2015 Masuda D14/307
 D748,364 S * 1/2016 King D99/28
 D748,888 S * 2/2016 King D99/28

D769,569 S * 10/2016 Kennedy D99/28
 D779,771 S * 2/2017 King D99/28
 D779,772 S * 2/2017 King D99/28
 D779,773 S * 2/2017 King D99/28
 D779,774 S * 2/2017 King D99/28
 D781,024 S * 3/2017 King D99/28
 D792,049 S * 7/2017 Oh D99/28
 D794,274 S * 8/2017 Mangeot D99/28
 D795,523 S * 8/2017 King D99/28
 D796,436 S * 9/2017 Rivera D13/108
 D826,514 S * 8/2018 Park D99/28
 D832,553 S * 10/2018 Angelopoulos D99/28
 D836,098 S * 12/2018 Vaananen D14/307
 D847,820 S * 5/2019 Pisapia D14/447
 D848,414 S * 5/2019 Gardens D14/307
 D853,378 S * 7/2019 Vaananen D14/307
 D878,819 S * 3/2020 Webster D6/657
 D884,623 S * 5/2020 Zheng D13/108
 2002/0079367 A1 * 6/2002 Montani A47F 9/047
 235/383
 2008/0252414 A1 * 10/2008 Crigger G07C 9/253
 340/5.52
 2011/0192681 A1 * 8/2011 Johnson G06Q 20/18
 186/52
 2014/0165885 A1 * 6/2014 Denny E05G 1/024
 109/50
 2015/0100440 A1 * 4/2015 Rubin G06Q 20/18
 705/16

* cited by examiner

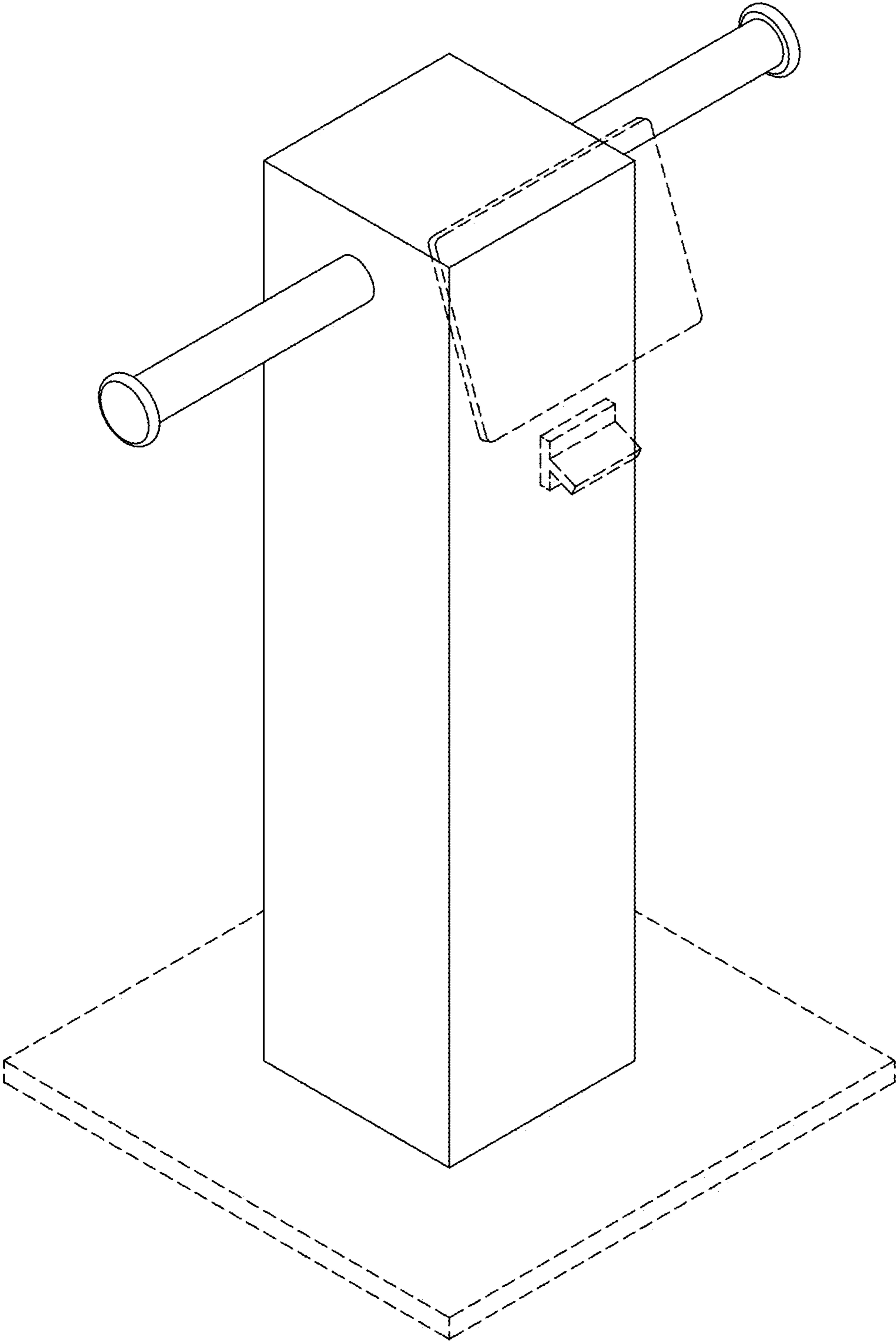


FIG. 1

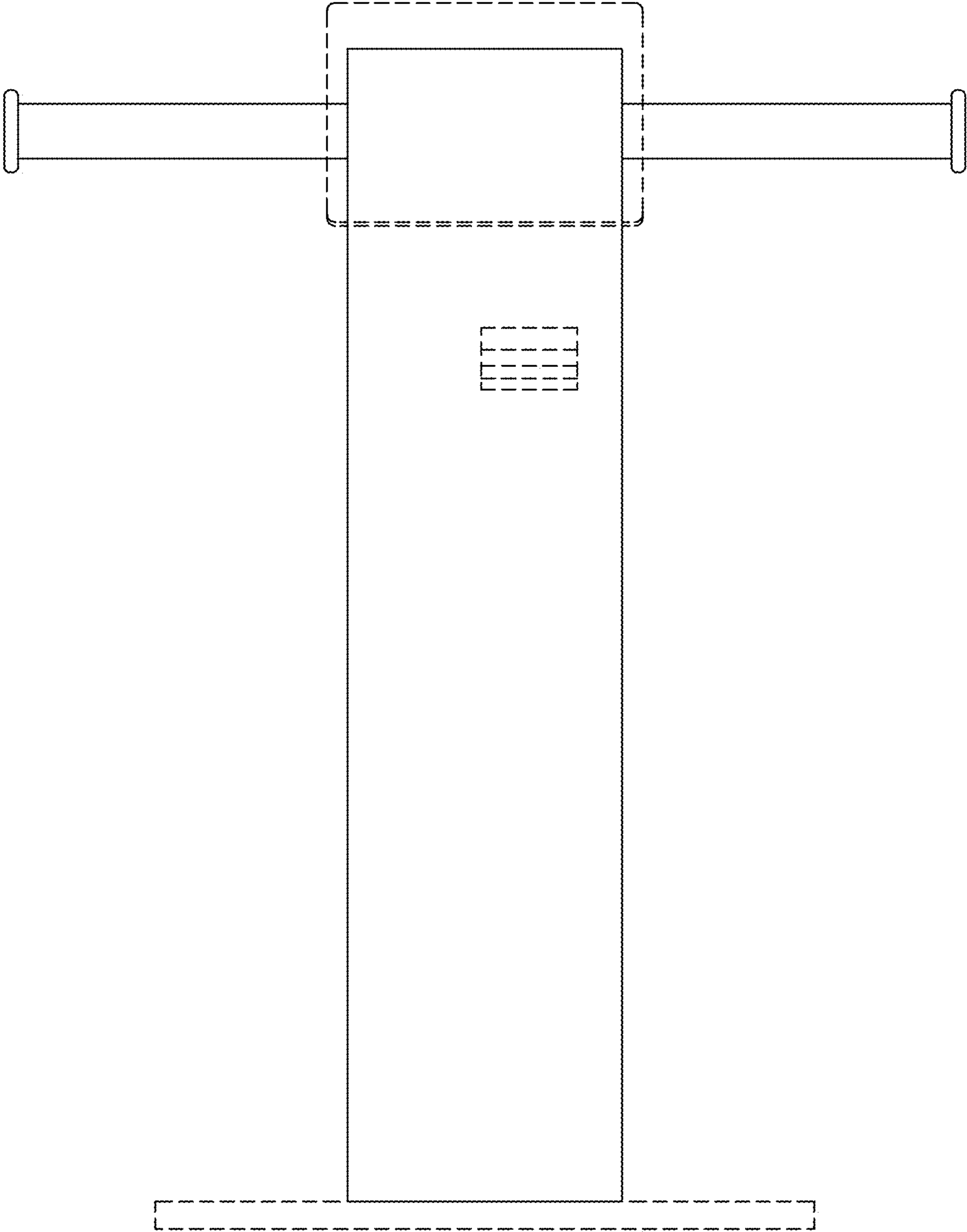


FIG. 2

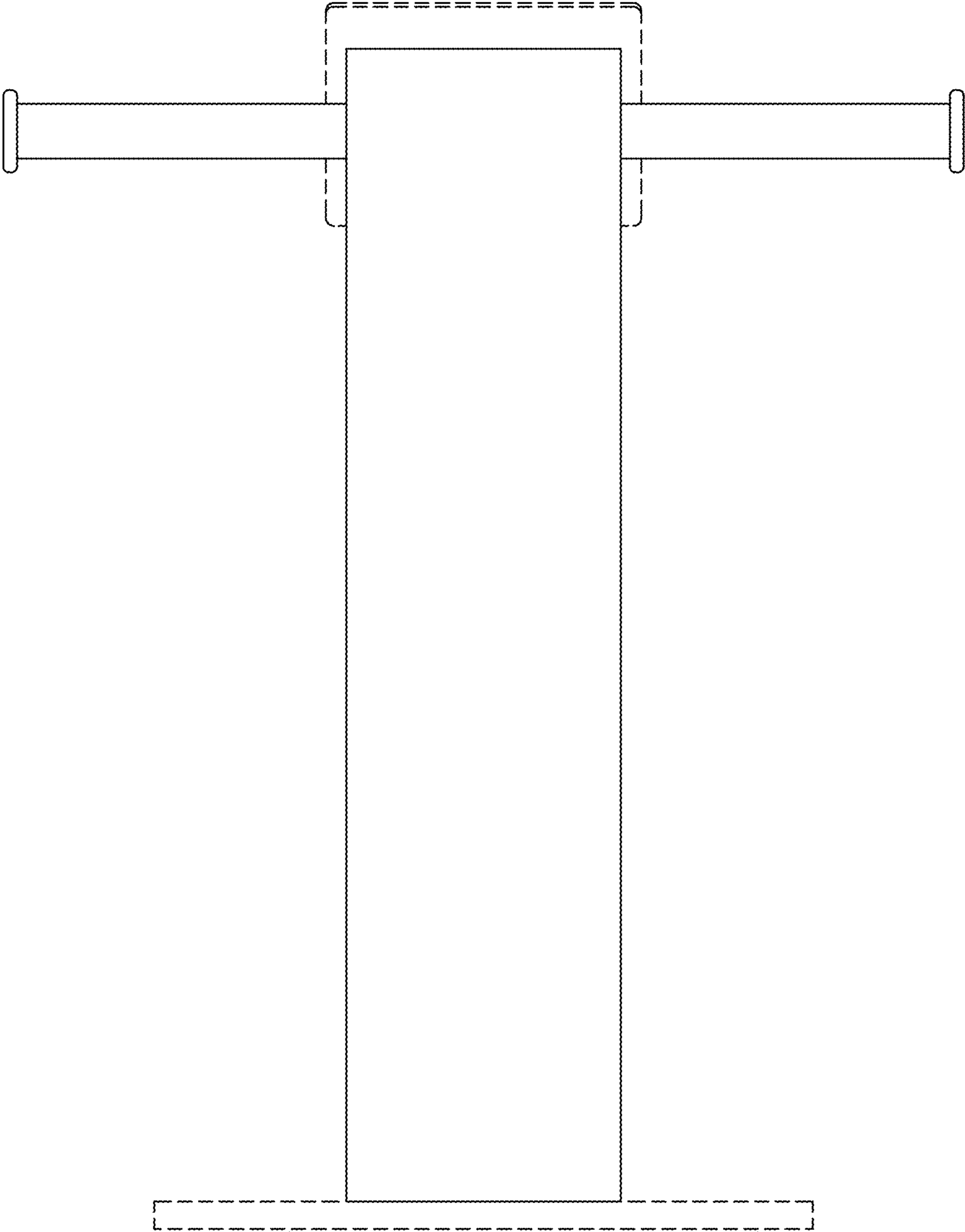


FIG. 3

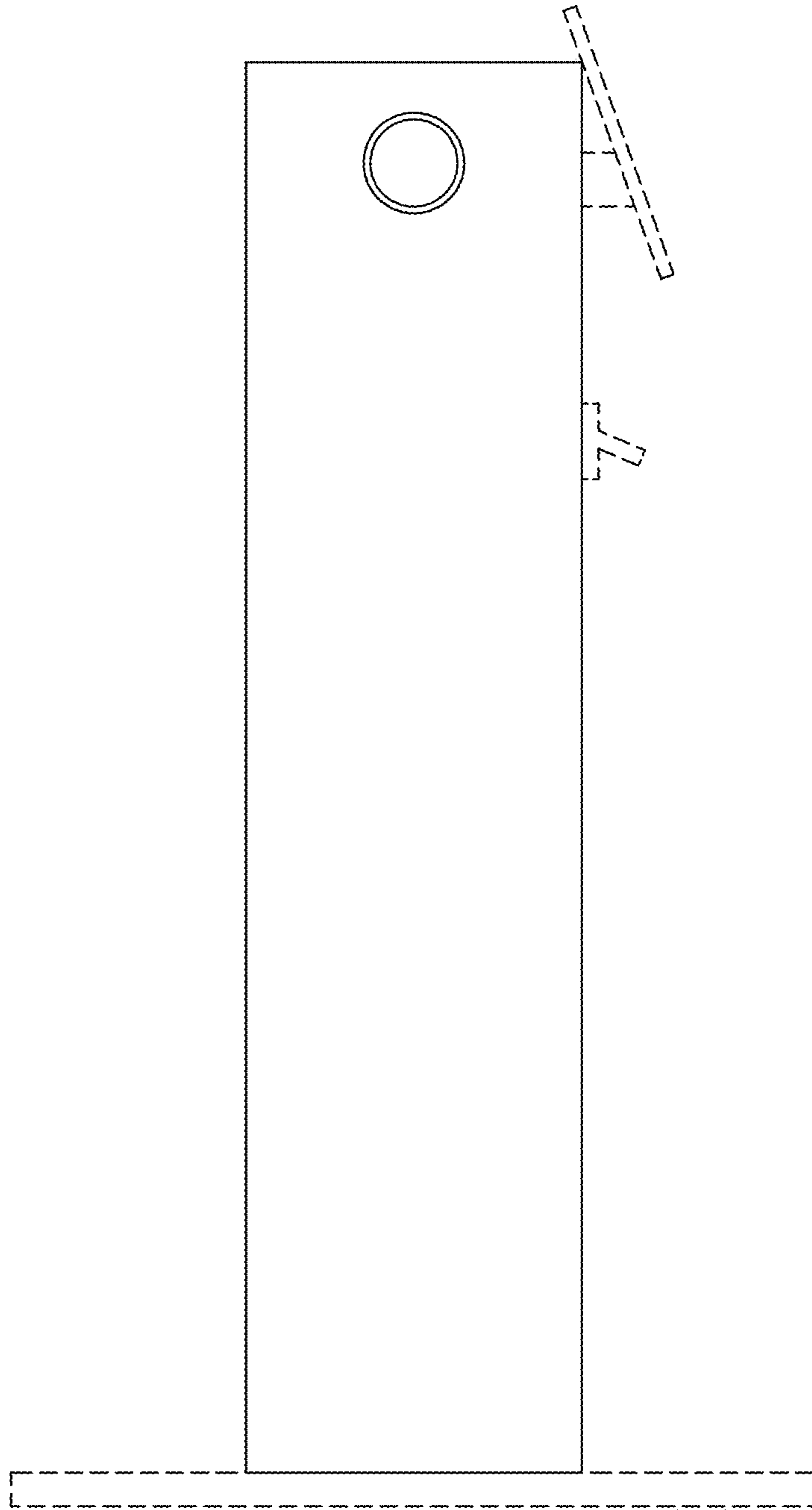


FIG. 4

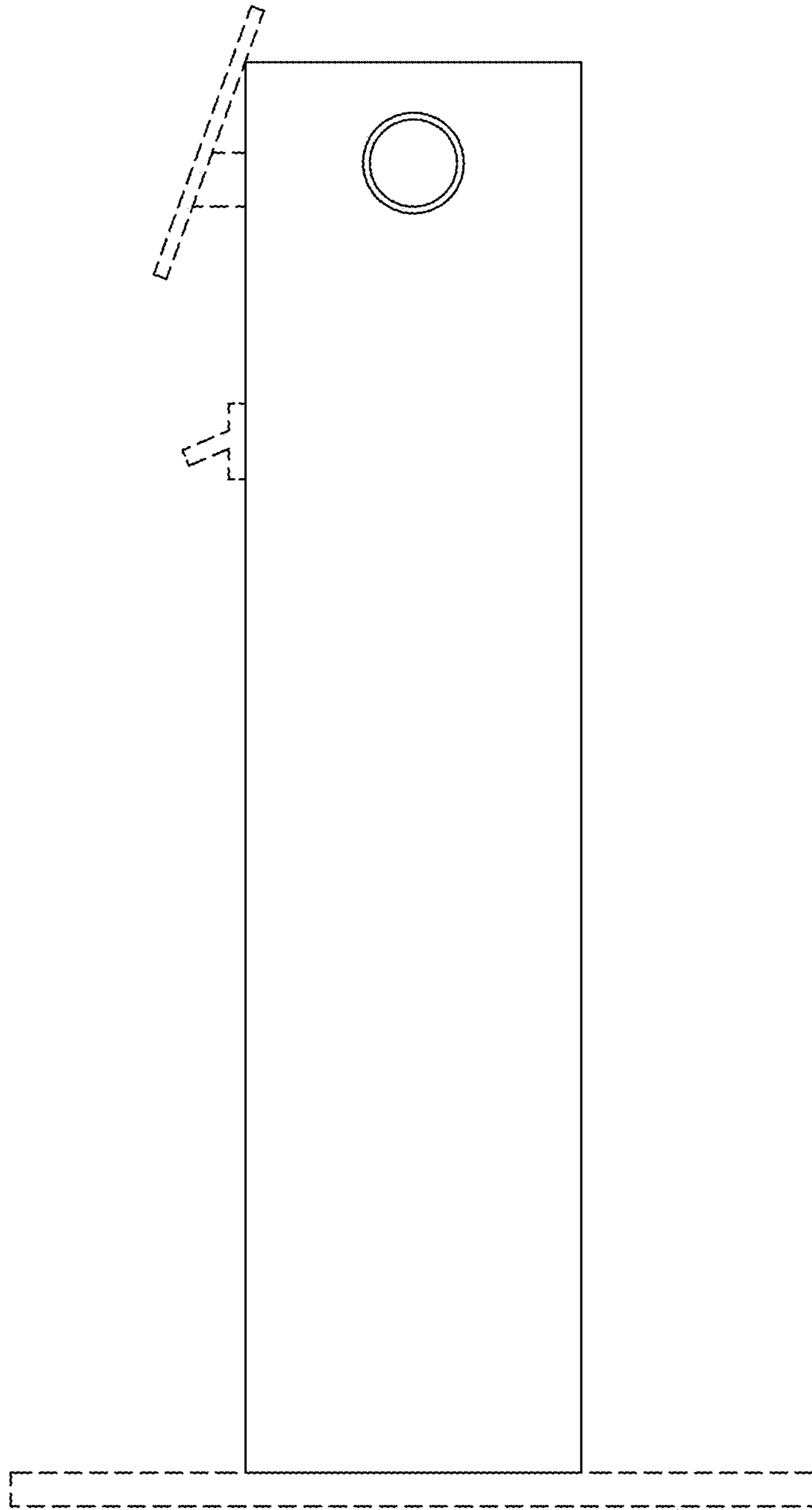


FIG. 5

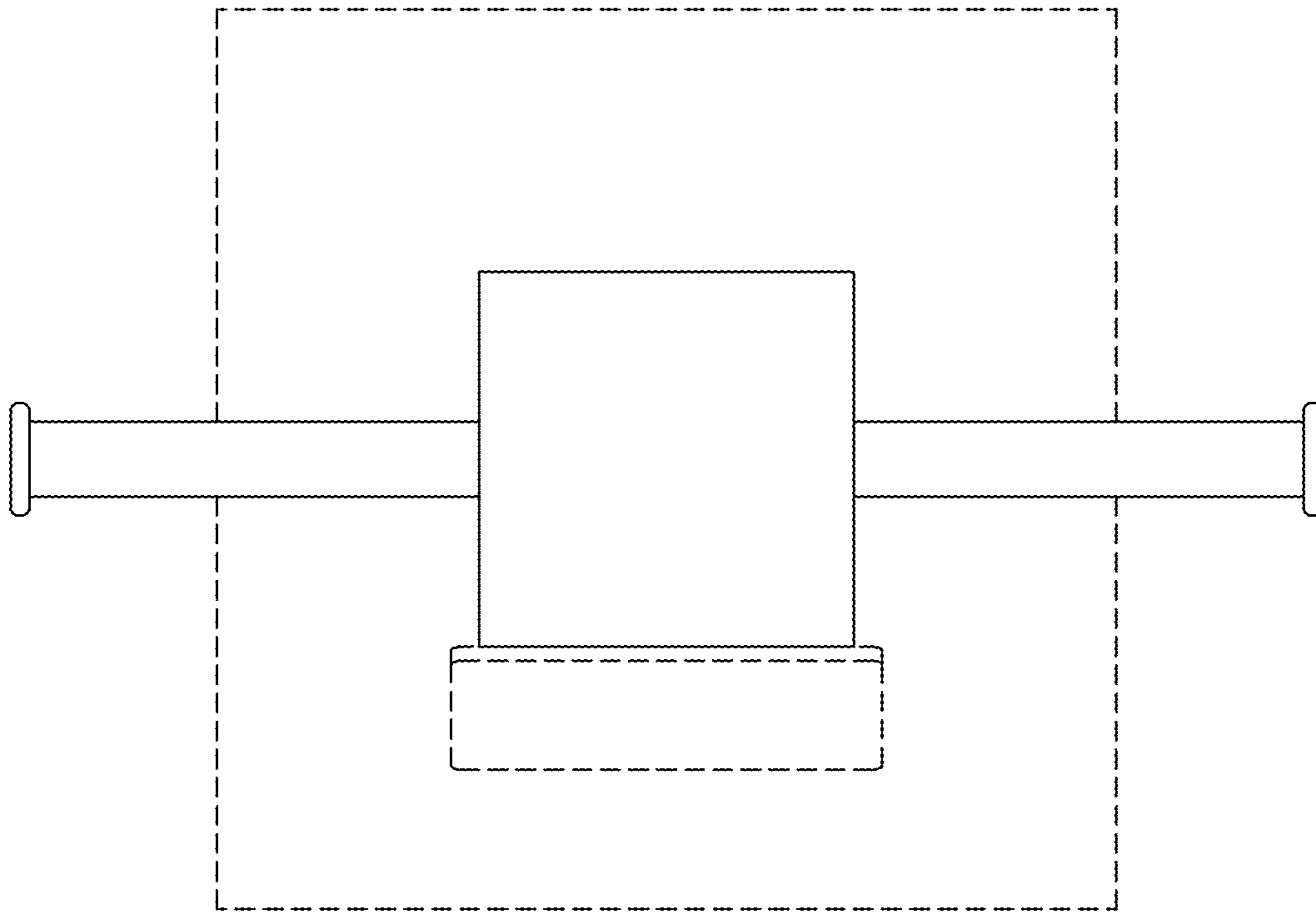


FIG. 6

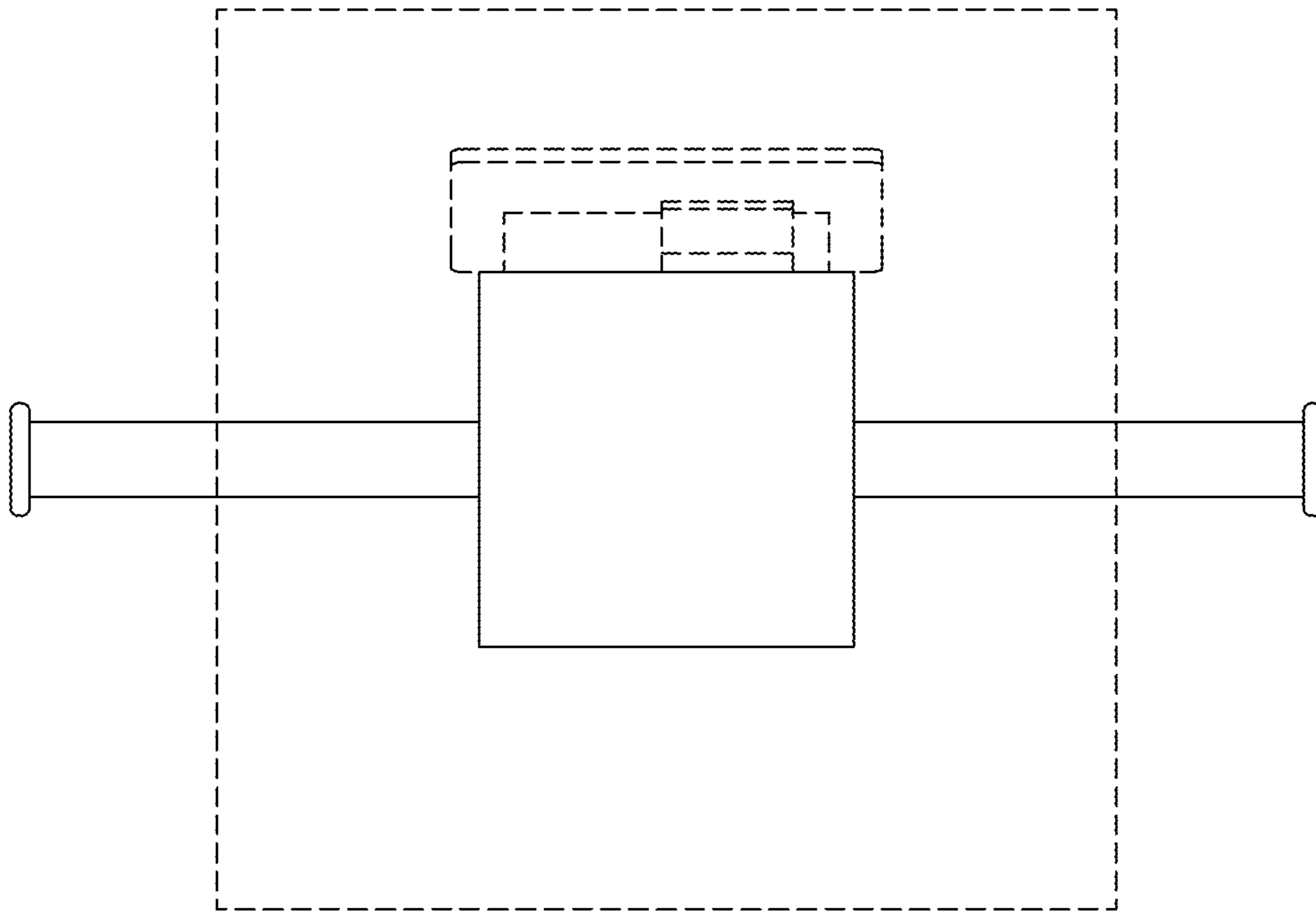


FIG. 7

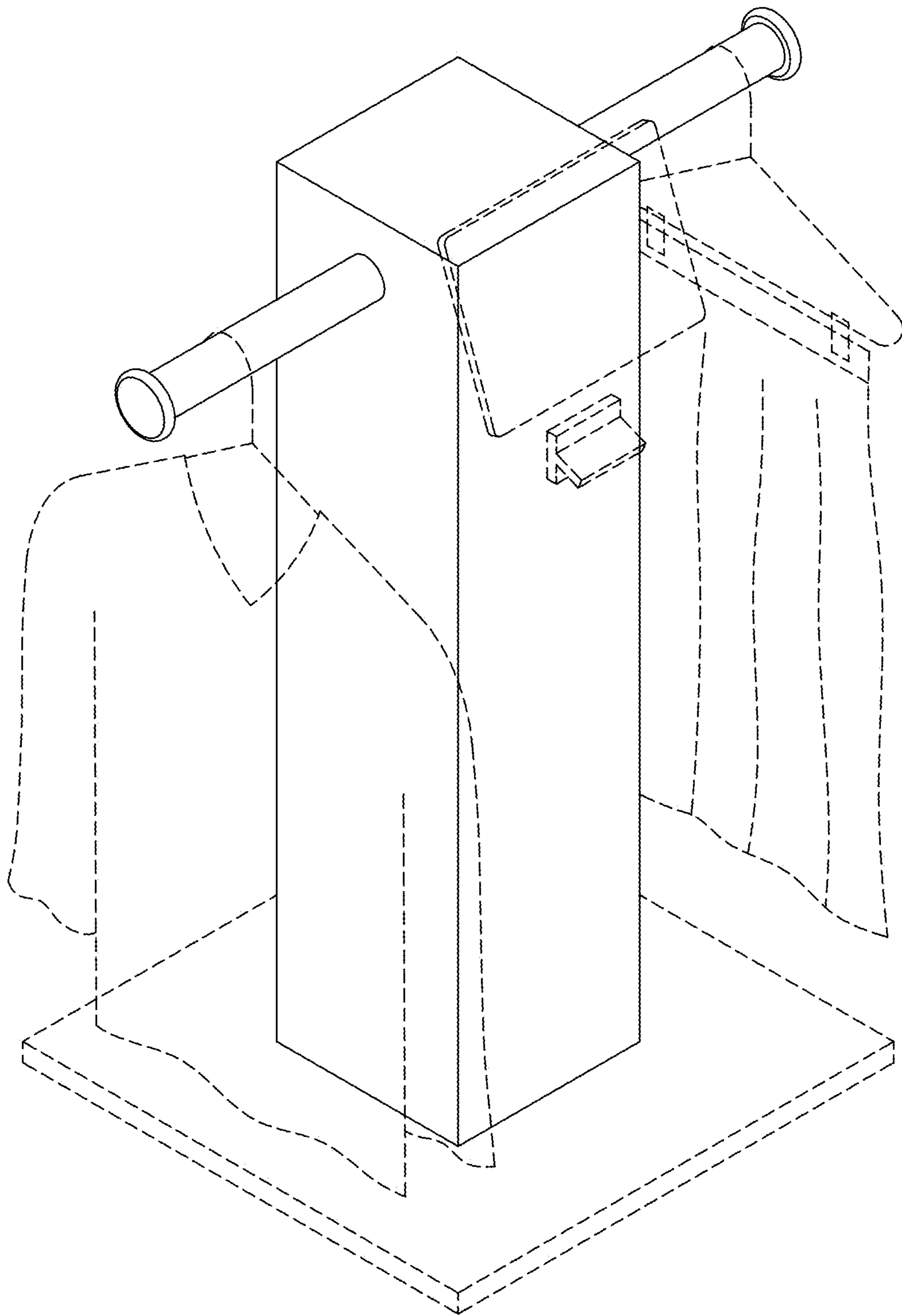


FIG. 8