

US00D902196S

(12) **United States Design Patent** (10) **Patent No.:** **US D902,196 S**
Fiore, IV (45) **Date of Patent:** **** Nov. 17, 2020**

(54) **AUTO STEREO MOUNTING DEVICE**
(71) Applicant: **Metra Electronics Corporation**, Holly Hill, FL (US)
(72) Inventor: **Anthony Fiore, IV**, Holly Hill, FL (US)
(73) Assignee: **Metra Electronics Corporation**, Holly Hill, FL (US)
(**) Term: **15 Years**

D639,290 S * 6/2011 Fiore, IV D14/258
D639,293 S * 6/2011 Fiore, IV D14/258
D716,790 S * 11/2014 Fiore, IV D14/258
D740,270 S * 10/2015 Fiore, IV D14/258
D757,707 S * 5/2016 Quilling, II D14/258
D788,095 S * 5/2017 Quilling D14/258
D788,763 S * 6/2017 Fiore, IV D14/258
D837,782 S * 1/2019 Fiore, IV D14/258

* cited by examiner
Primary Examiner — Sandra L Morris
(74) *Attorney, Agent, or Firm* — J. Wiley Horton

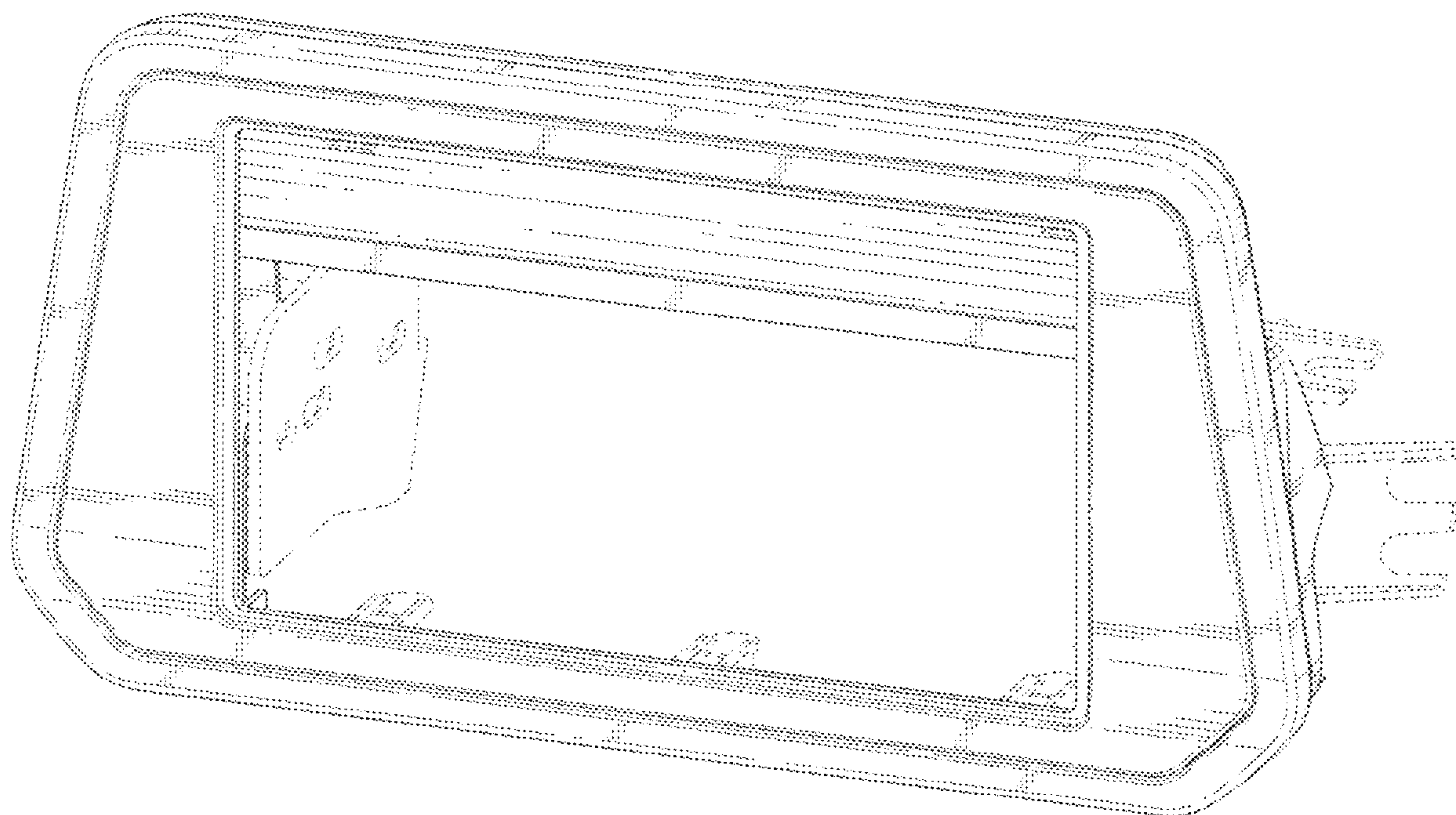
(21) Appl. No.: **29/698,630**
(22) Filed: **Jul. 18, 2019**
(51) **LOC (12) Cl.** **14-03**
(52) **U.S. Cl.**
USPC **D14/258**
(58) **Field of Classification Search**
USPC D12/192, 195, 415, 420; D14/496,
D14/498–506, 154, 157, 168–171,
D14/188–198, 257–258; 248/27.1, 27.3,
248/558
CPC B60R 11/02; B60K 37/04; B60K 37/06;
B60K 35/00
See application file for complete search history.

(57) **CLAIM**
The ornamental design for an “auto stereo mounting device”, as shown and described.

(56) **References Cited**
U.S. PATENT DOCUMENTS
D584,725 S * 1/2009 Fiore, IV D14/258
D611,939 S * 3/2010 Quilling, II D14/258

DESCRIPTION
FIG. 1 is a perspective view of an auto stereo mounting device, showing my design;
FIG. 2 is a rear perspective view of FIG. 1;
FIG. 3 is a front elevation view of FIG. 1;
FIG. 4 is a rear elevation view of FIG. 1;
FIG. 5 is a left side elevation view of FIG. 1;
FIG. 6 is a right side elevation view of FIG. 1;
FIG. 7 is a top plan view of FIG. 1; and,
FIG. 8 is a bottom plan view of FIG. 1.
The broken lines shown in all views illustrate mounting features which form no part of the claimed design.

1 Claim, 7 Drawing Sheets



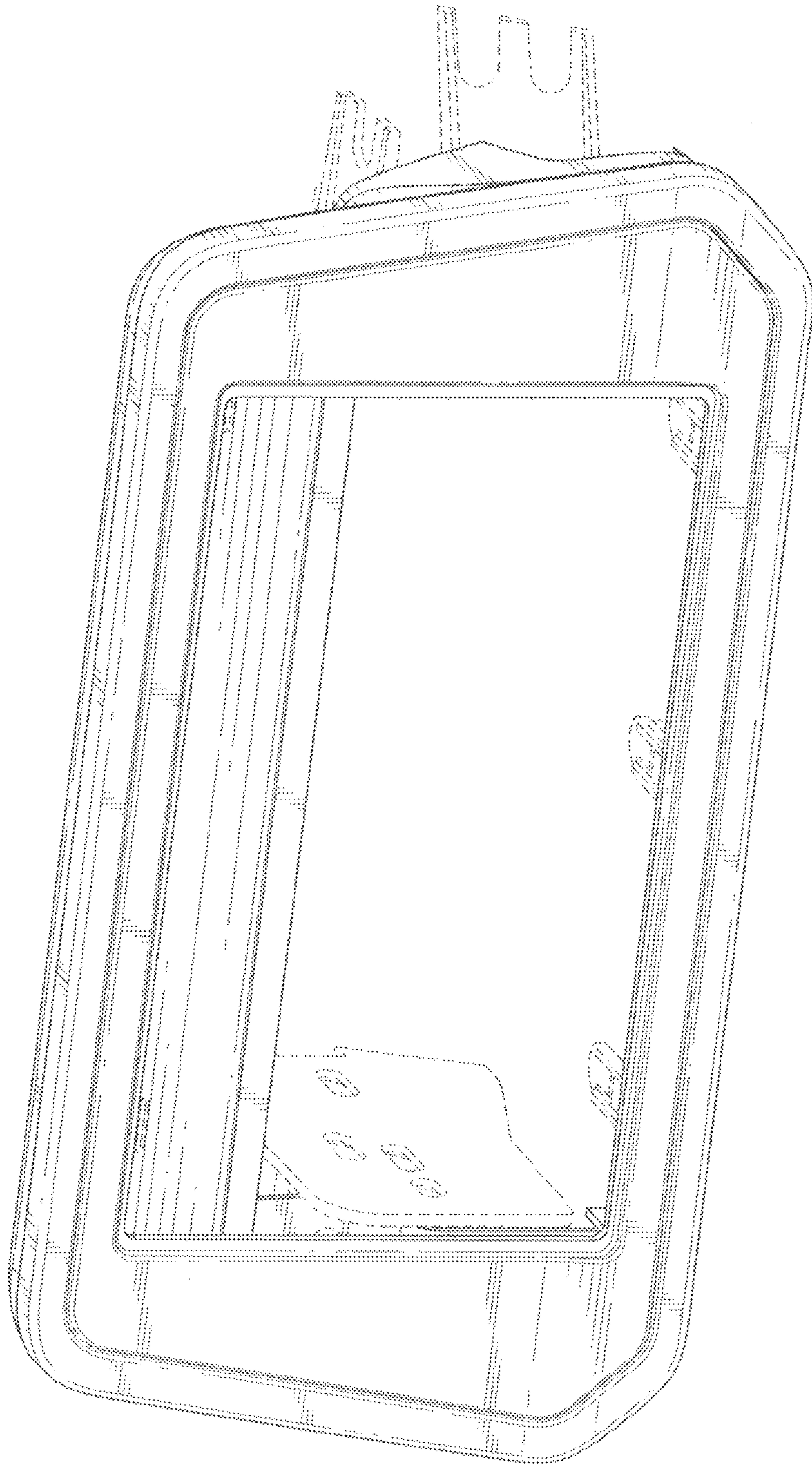


FIG. 1

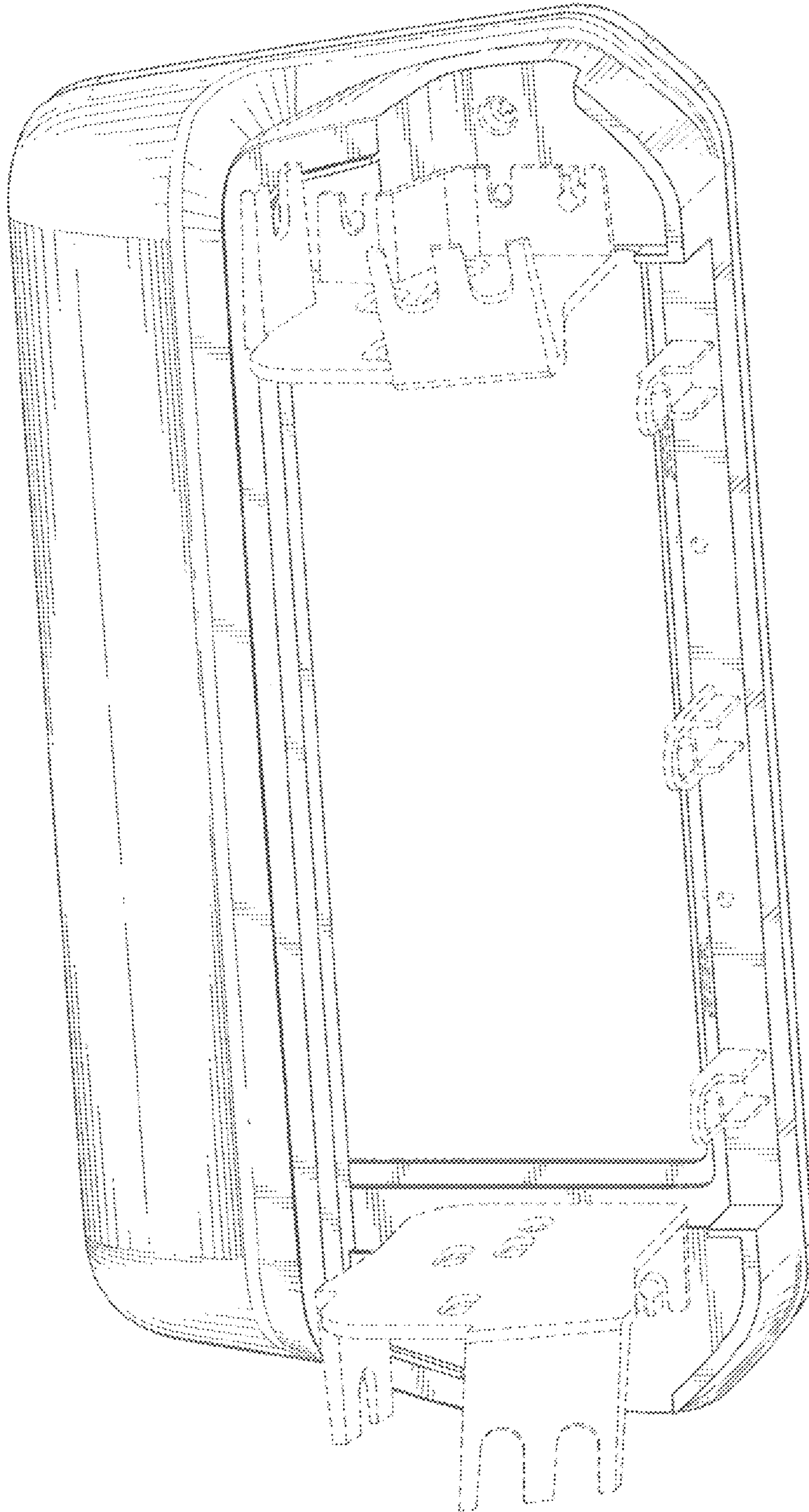


FIG. 2

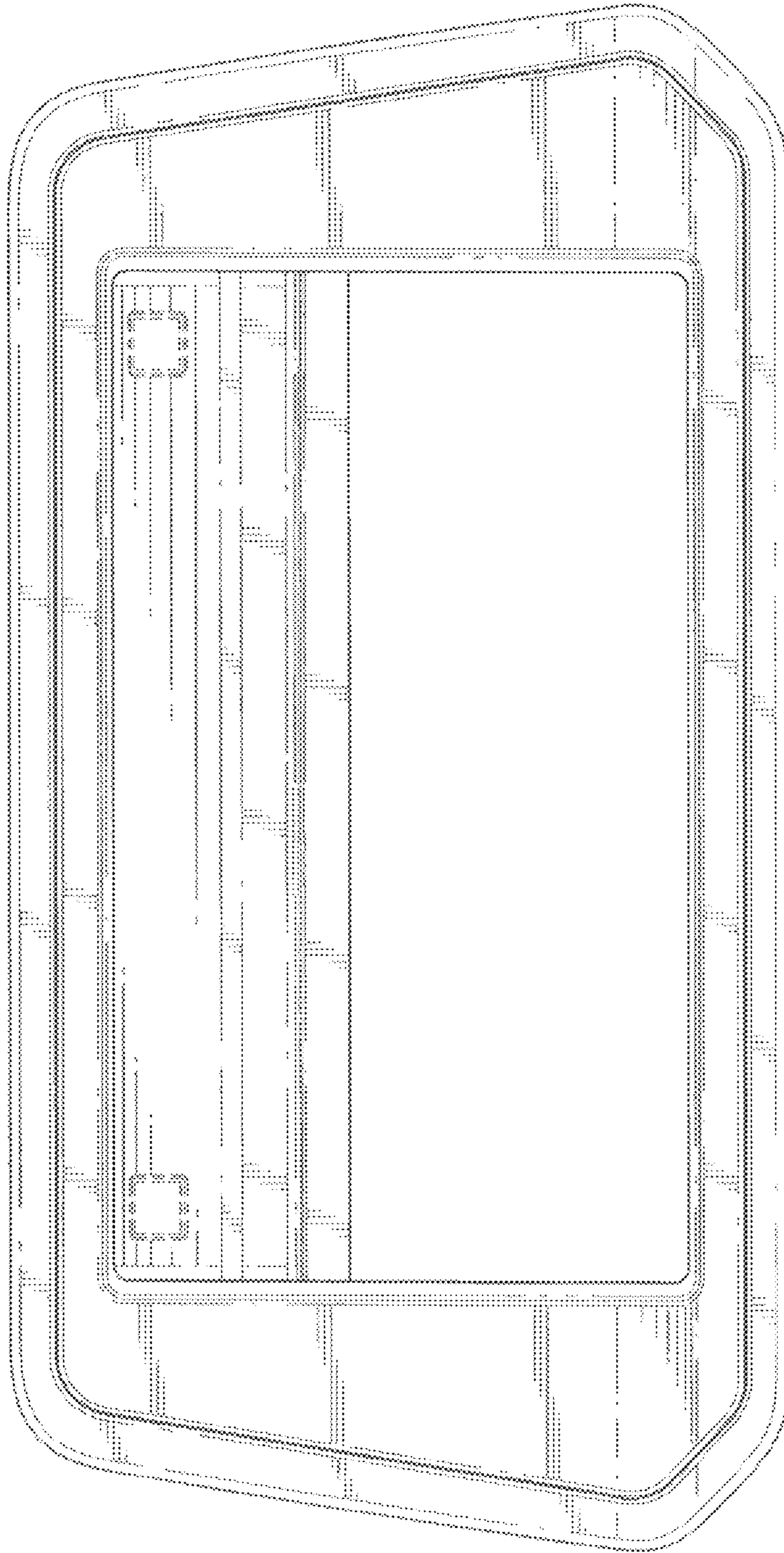


FIG. 3

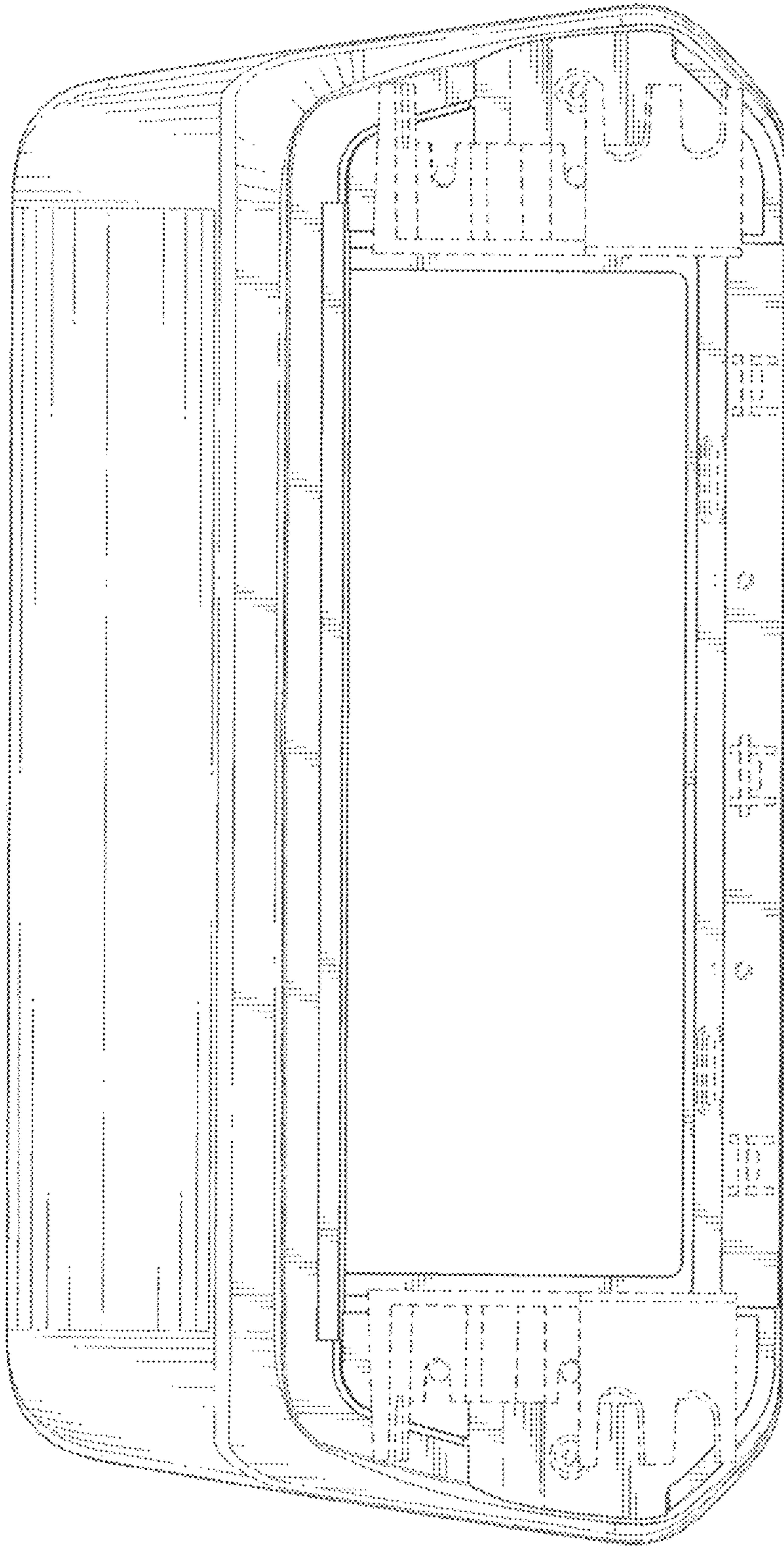


FIG. 4

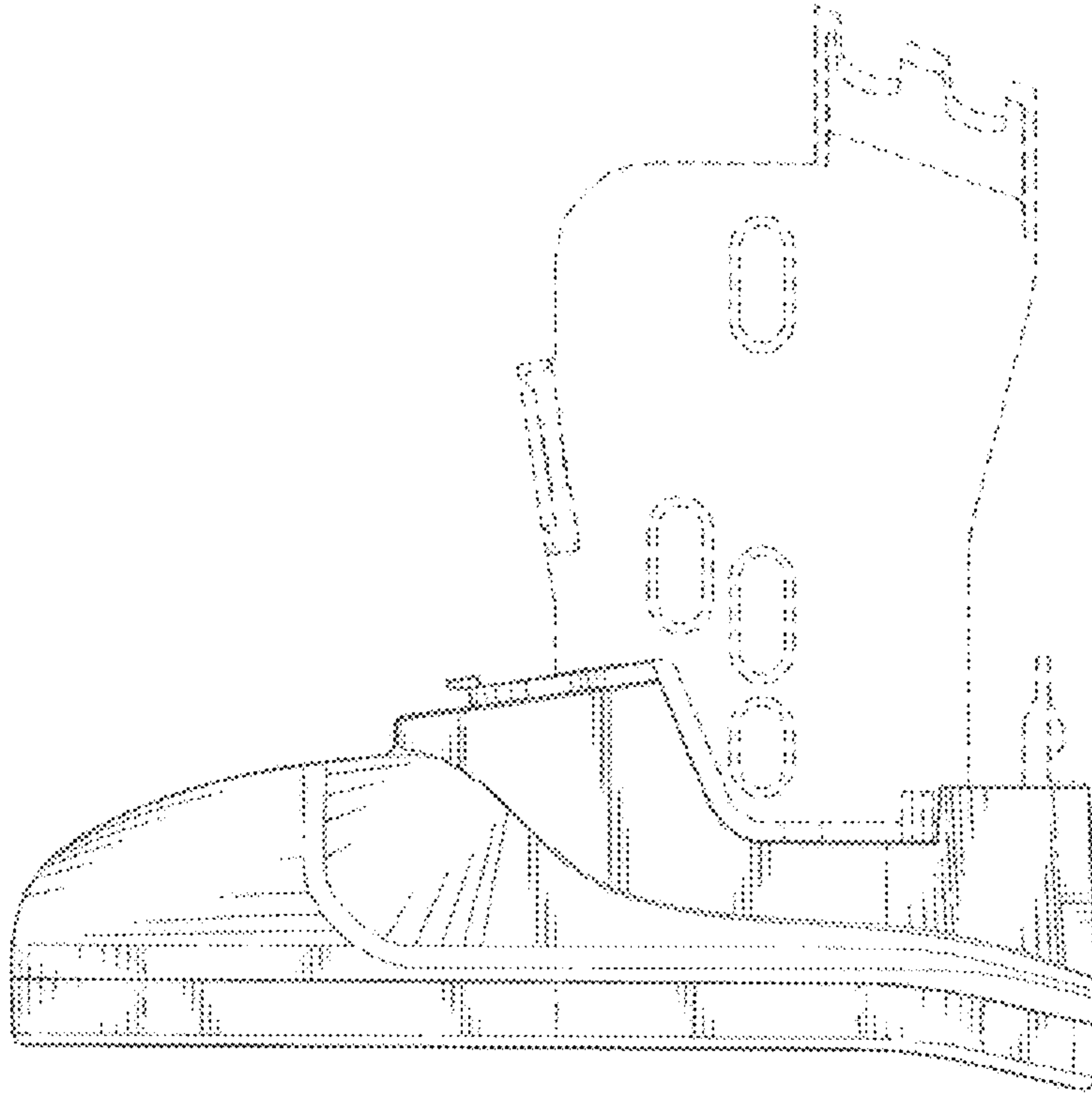


FIG. 6

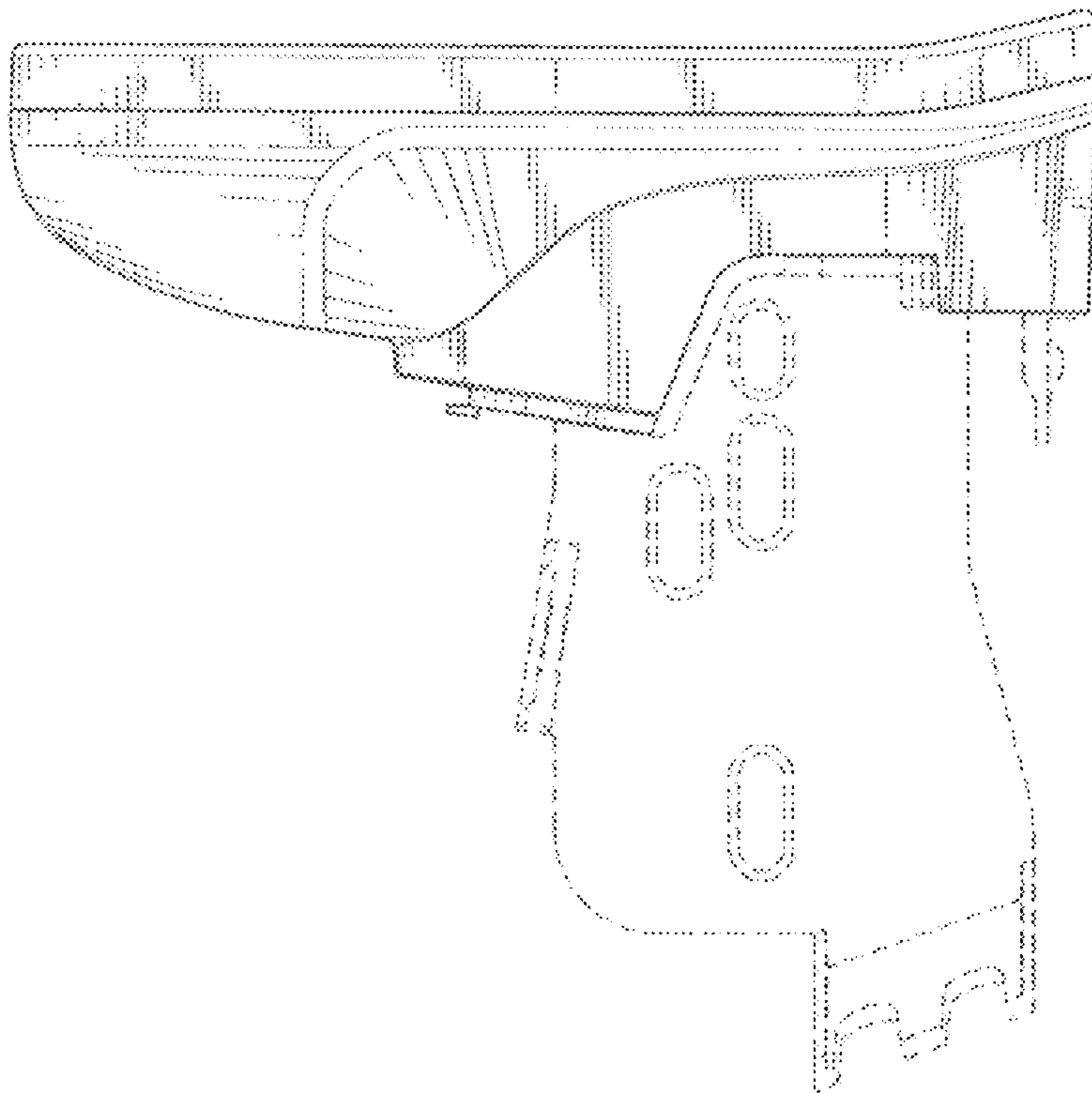


FIG. 5

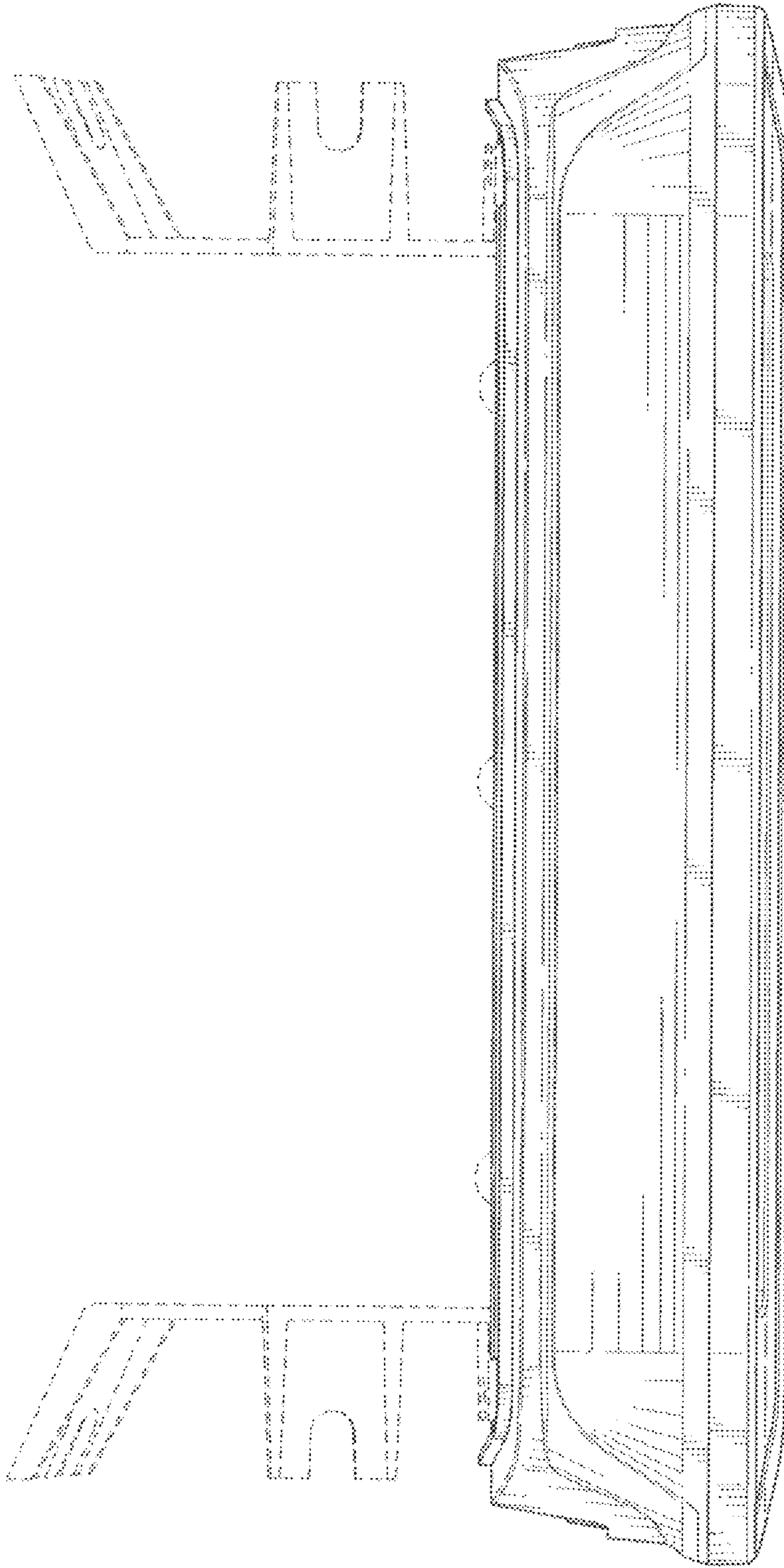


FIG. 7

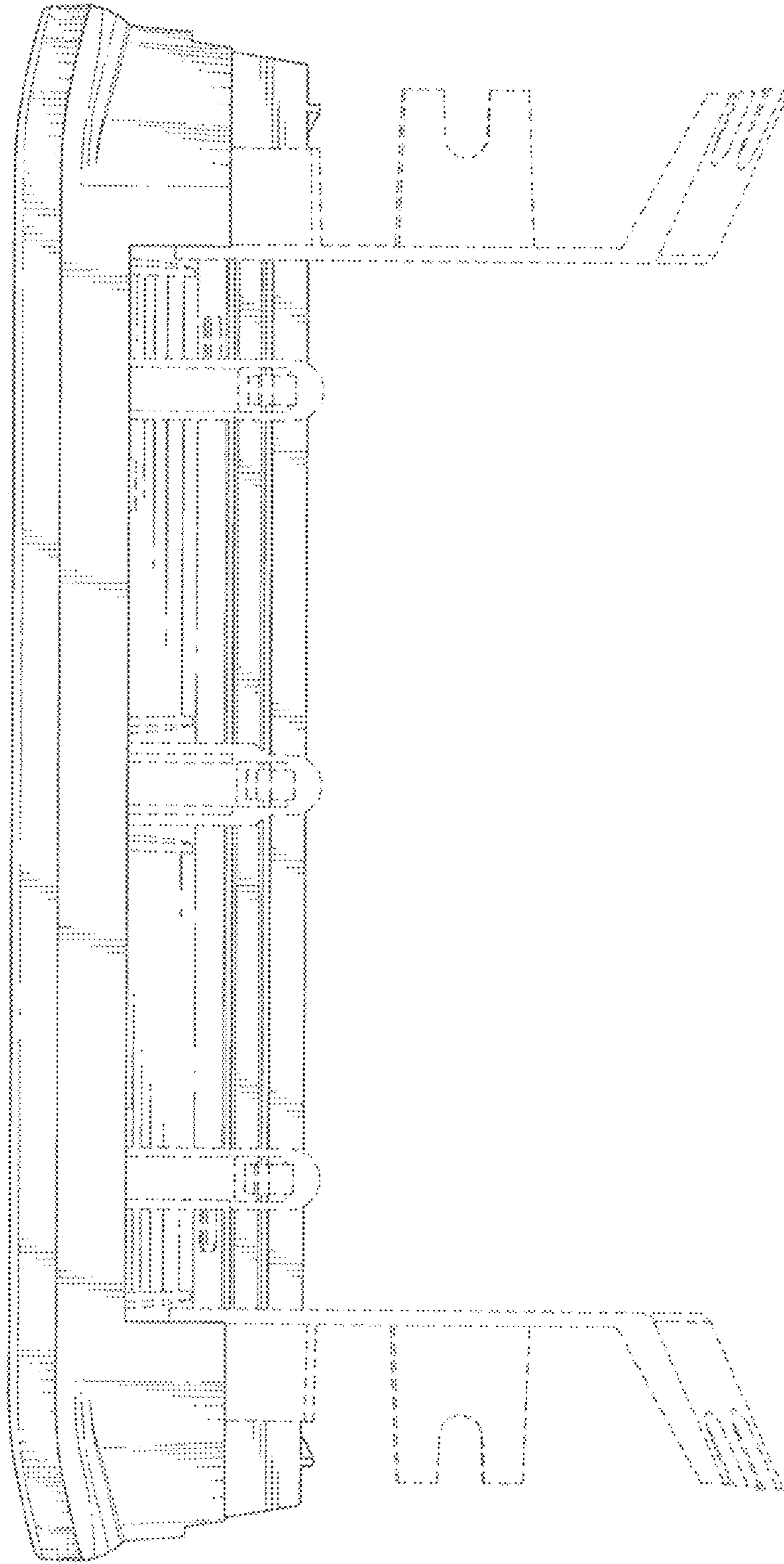


FIG. 8