



US00D902195S

(12) **United States Design Patent**
Ko

(10) **Patent No.:** **US D902,195 S**

(45) **Date of Patent:** **** Nov. 17, 2020**

- (54) **SMARTPHONE STABILIZER**
- (71) Applicant: **A-Fund Enterprise Co., Ltd.,**
Taichung (TW)
- (72) Inventor: **Lung-Ching Ko,** Taichung (TW)
- (73) Assignee: **A-Fund Enterprise Co., Ltd.,**
Taichung (TW)
- (**) Term: **15 Years**
- (21) Appl. No.: **29/697,749**
- (22) Filed: **Jul. 11, 2019**
- (30) **Foreign Application Priority Data**

D725,694 S * 3/2015 Florey H04N 5/2251
D16/242
9,170,473 B1 * 10/2015 Li F16M 11/10
D747,399 S * 1/2016 Stump D16/243
D748,182 S * 1/2016 Polito D16/242
D752,597 S * 3/2016 Girault D14/447
D766,230 S * 9/2016 Shepard D14/253
D782,461 S * 3/2017 Pinto D14/253
D782,463 S * 3/2017 Segal D14/253
D782,464 S * 3/2017 Chung D14/253
D787,499 S * 5/2017 Lee D14/253
D799,465 S * 10/2017 Sukphist D14/253
D843,433 S * 3/2019 Balmer D16/242
D863,289 S * 10/2019 Shan D14/253
2014/0313358 A1 * 10/2014 Yu H04N 5/23203
348/211.7
2015/0346590 A1 * 12/2015 Lewis G03B 17/566
362/109
2018/0066792 A1 * 3/2018 Chen F16M 13/00

* cited by examiner

Jan. 18, 2019 (TW) 108300371

- (51) **LOC (12) Cl.** **14-03**
- (52) **U.S. Cl.**
USPC **D14/253; D16/244**
- (58) **Field of Classification Search**
USPC D14/217, 251-253, 447, 452, 432-434,
D14/440; D12/415; D3/218; D8/349,
D8/363, 394-396; D16/242-244
CPC H04M 1/02; H04M 1/04; B60R 11/02;
F16M 11/00; F16M 11/04; F16M 11/06;
F16M 13/02; F16M 13/00; H05K 7/00;
H05K 5/02; A47G 1/17
See application file for complete search history.

Primary Examiner — Janice Hallmark

(74) *Attorney, Agent, or Firm* — Alan D. Kamrath; Mayer & Williams PC

(56) **References Cited**

U.S. PATENT DOCUMENTS

D678,387 S * 3/2013 Stump D16/244
8,602,662 B1 * 12/2013 Mans F16M 11/40
396/428
D715,791 S * 10/2014 Yu D14/253

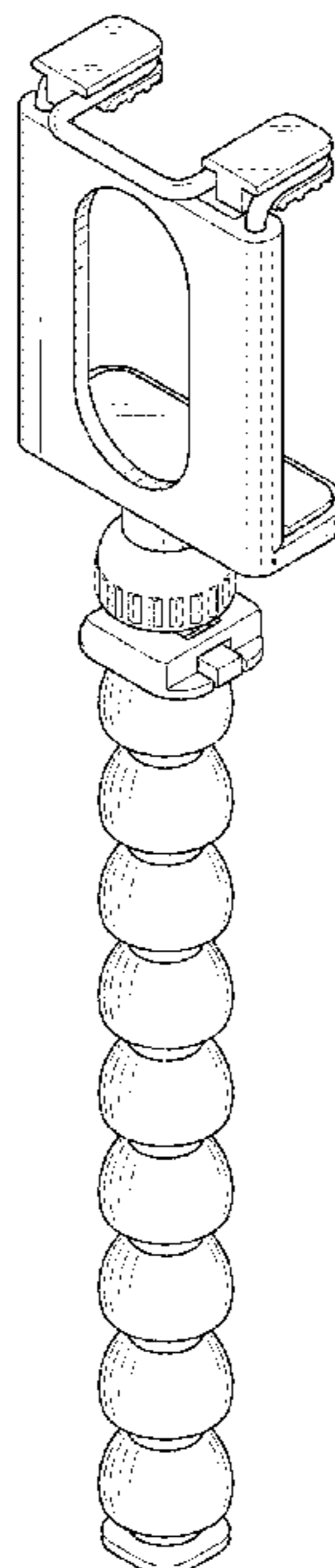
(57) **CLAIM**

The ornamental design for a smartphone stabilizer, as shown.

DESCRIPTION

FIG. 1 is a perspective view of a smartphone stabilizer showing my new design;
FIG. 2 is a front view thereof;
FIG. 3 is a rear view thereof;
FIG. 4 is a left view thereof;
FIG. 5 is a right view thereof;
FIG. 6 is a top view thereof; and,
FIG. 7 is a bottom view thereof.

1 Claim, 4 Drawing Sheets



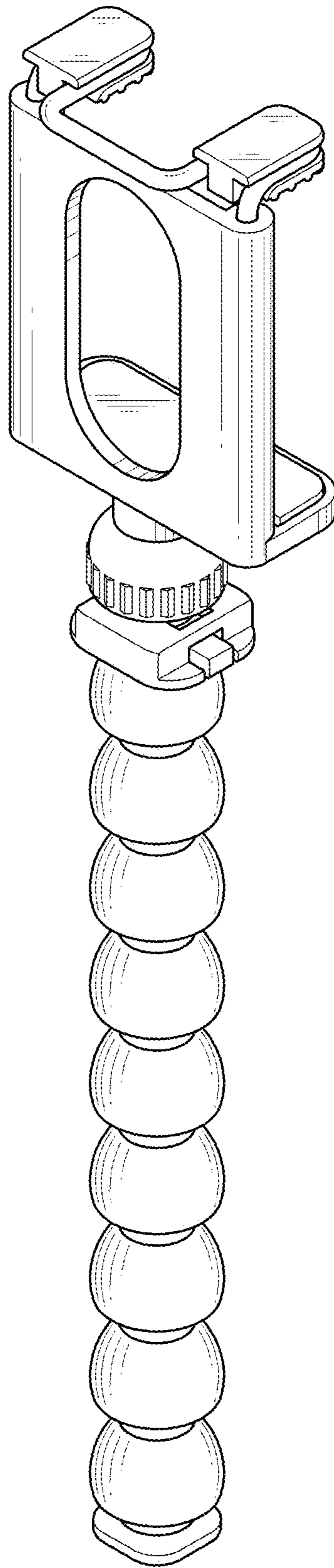


FIG. 1

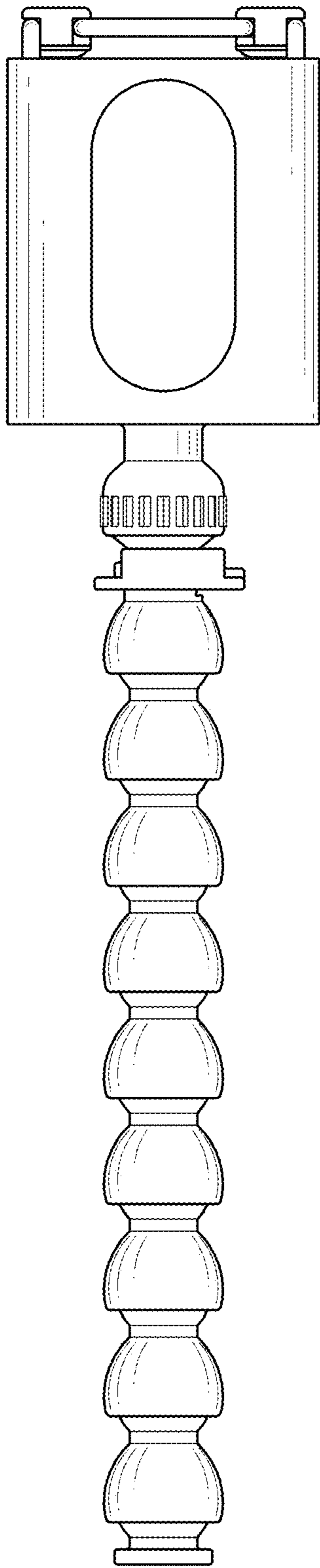


FIG. 2

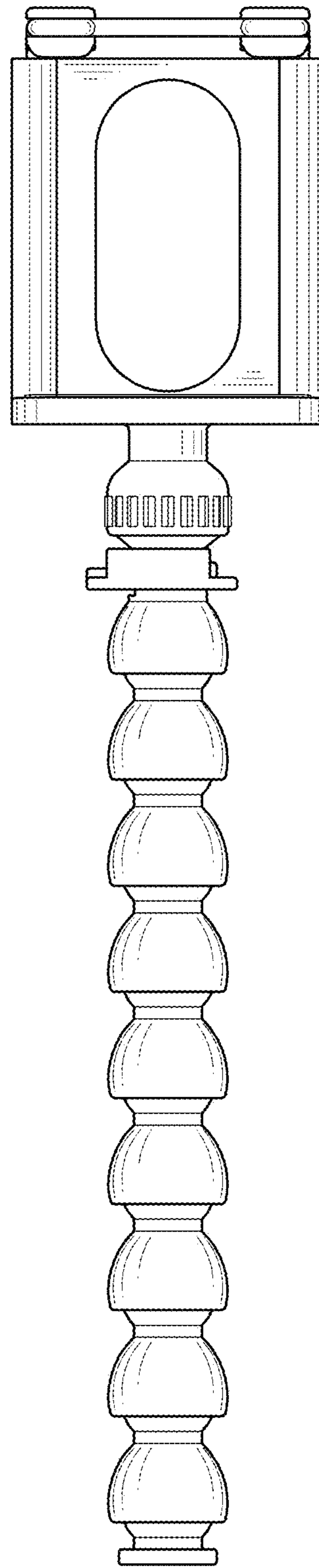


FIG. 3

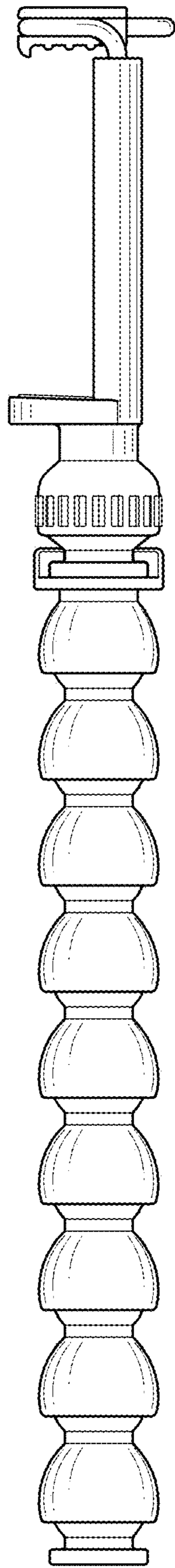


FIG. 4

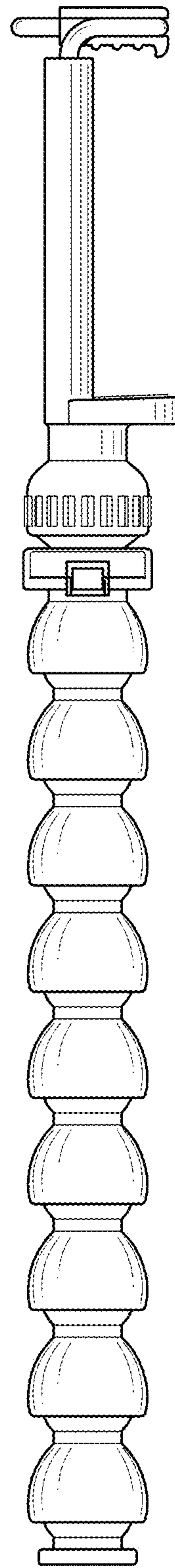


FIG. 5

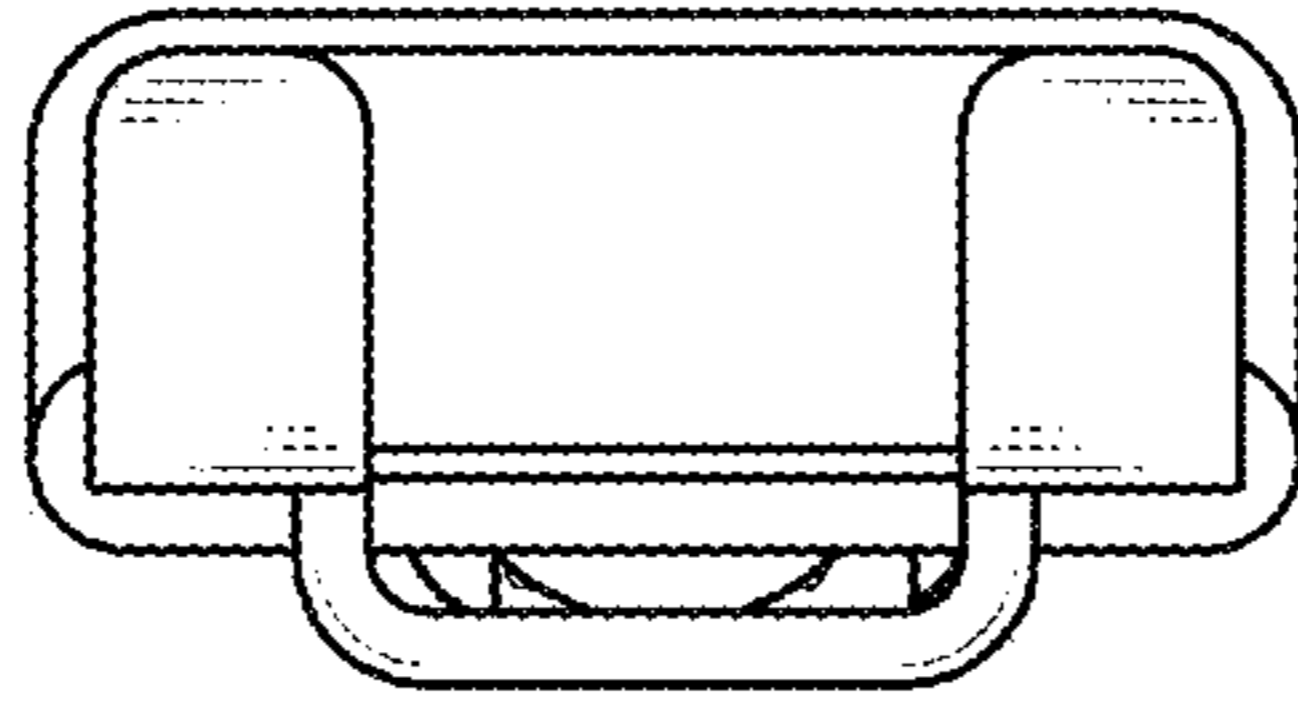


FIG. 6

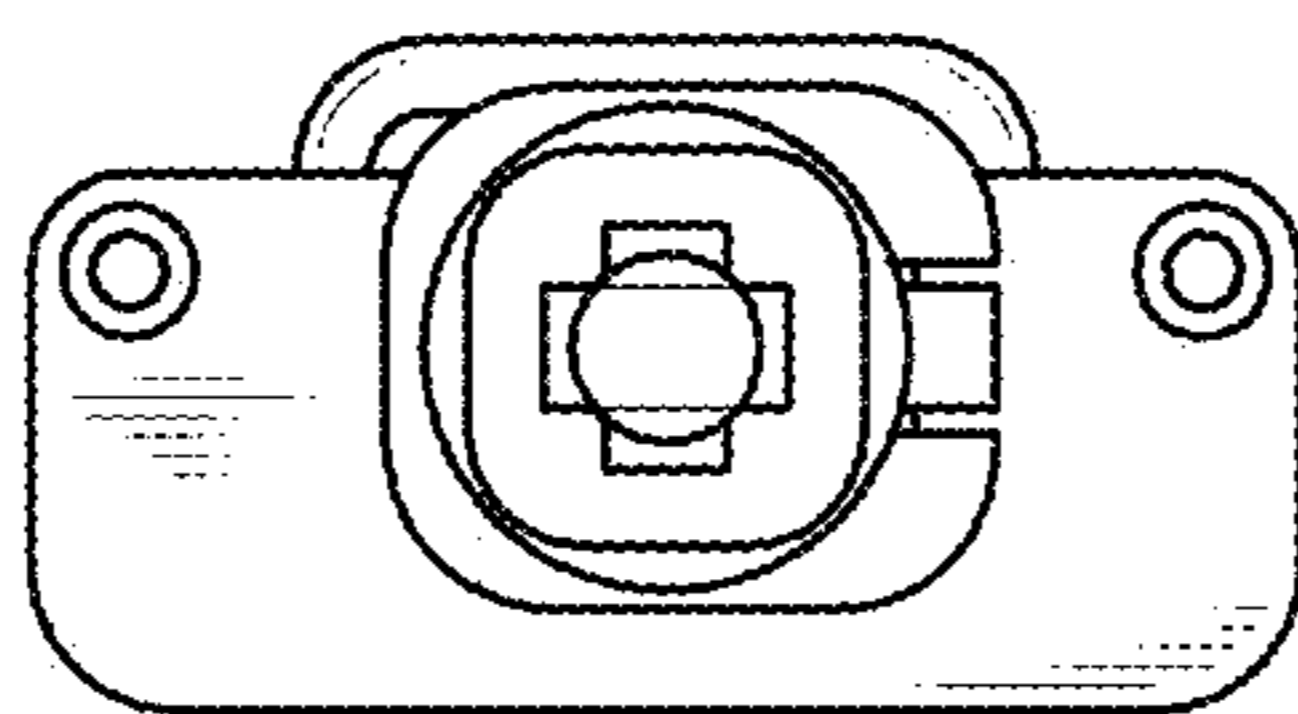


FIG. 7