



US00D902194S

(12) **United States Design Patent**
Gluck

(10) **Patent No.:** **US D902,194 S**

(45) **Date of Patent:** **** Nov. 17, 2020**

(54) **COMBINED CARD HOLDER AND RING SUPPORT FOR A PORTABLE DEVICE**

(71) Applicant: **ROBERT GORDON INDUSTRIES, LTD.**, Lawrence, NY (US)

(72) Inventor: **Robert Gluck**, New York, NY (US)

(73) Assignee: **ROBERT GORDON INDUSTRIES, LTD.**, Lawrence, NY (US)

(**) Term: **15 Years**

(21) Appl. No.: **29/631,463**

(22) Filed: **Dec. 29, 2017**

(51) **LOC (12) Cl.** **14-99**

(52) **U.S. Cl.**
USPC **D14/253**; D14/252; D3/249

(58) **Field of Classification Search**
USPC D14/250–254, 224, 224.1, 238.1, 434, D14/447, 451, 452, 483; D12/400, D12/415–418, 420, 426.1, 114, 223; D16/242, 245; D10/74; D3/201, 218, D3/226, 247, 300, 303, 249; D13/107, D13/108; D8/301, 306, 307, 401
CPC B60R 11/00; B60R 11/02; B60R 11/0241; B60R 11/0252; B60R 2011/0003; B60R 2011/0005; B60R 2011/0008; H04M 1/04; H04B 1/3877; H04B 1/3888; A45F 2200/0516; A45F 2200/0525; A45F 5/00; H05K 5/0204; F16M 13/02; F16M 13/022; F16M 11/04; F16M 11/041; F16M 11/14; F16M 11/22; H01F 7/0252; G03B 17/561; A45C 11/00; A45C 11/182

See application file for complete search history.

(56) **References Cited**

U.S. PATENT DOCUMENTS

513,749 A 1/1894 Atherton
4,805,680 A 2/1989 Ueno

5,217,056 A 6/1993 Ritter
D575,569 S 8/2008 Martinetti
D641,154 S * 7/2011 Smith D3/218
D660,305 S * 5/2012 Ho D14/447
8,567,460 B1 12/2013 Lentsch

(Continued)

Primary Examiner — Jeffrey D Asch

Assistant Examiner — Rebekah A Caruso

(74) *Attorney, Agent, or Firm* — Greenblum & Bernstein, P.L.C.

(57) **CLAIM**

The ornamental design for a combined card holder and ring support for a portable device, as shown and described.

DESCRIPTION

FIG. 1 shows a perspective view of a combined card holder and ring support for a portable device according to the invention;

FIG. 2 shows a front view thereof;

FIG. 3 shows a back view thereof;

FIG. 4 shows a right side view thereof;

FIG. 5 shows a left side view thereof;

FIG. 6 shows a top view thereof;

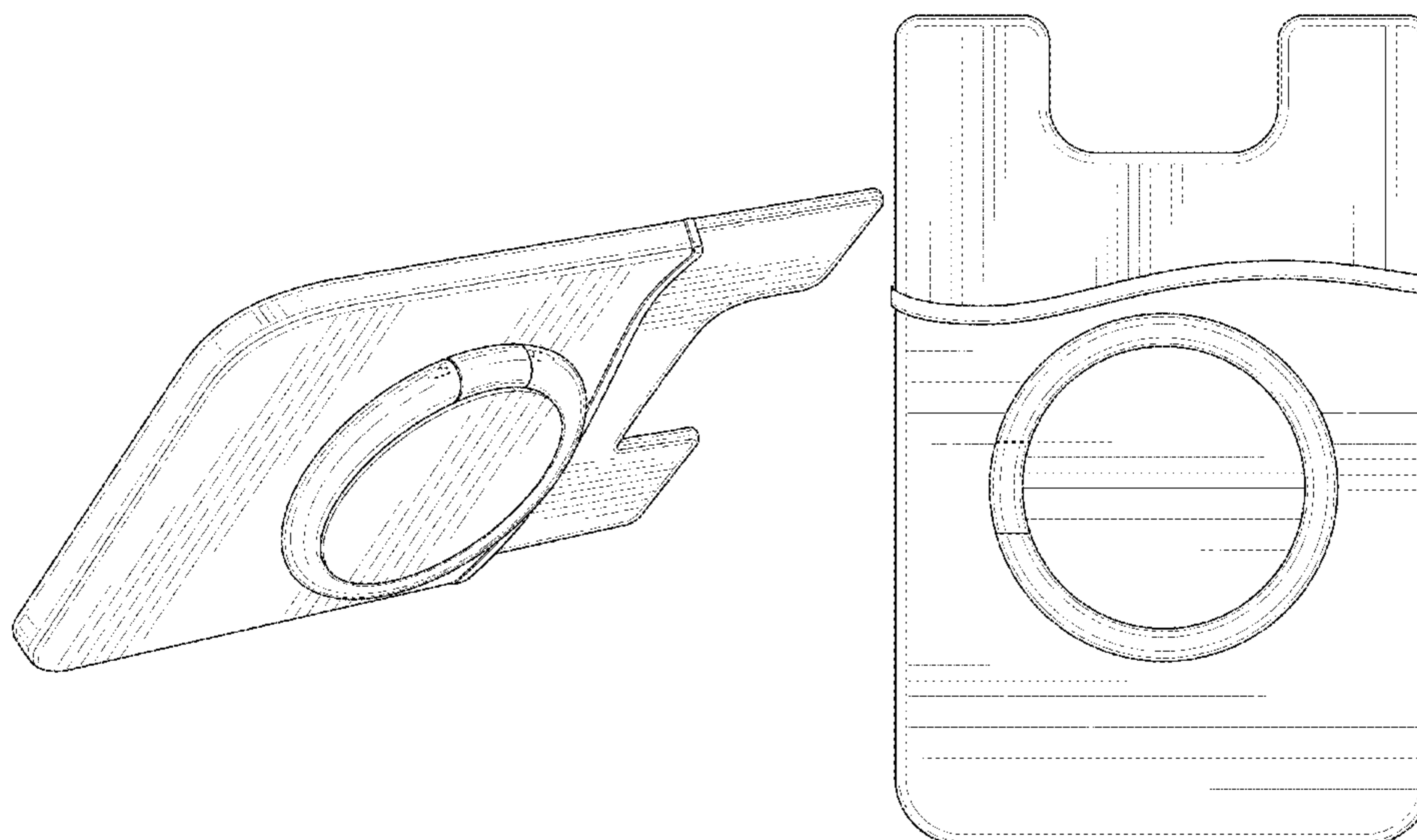
FIG. 7 shows a bottom view thereof;

FIG. 8 shows a perspective view thereof attached or mounted to a portable device;

FIG. 9 shows a perspective view thereof attached or mounted to a portable device and with the ring moved (swung or pivoted out) to a partially extended or device supporting position; and,

FIG. 10 shows a perspective view thereof attached or mounted to a portable device and illustrates how the ring, when in a partially extended position, can be positioned and used by a user to safely hold-up the portable device—with the user placing their finger through the ring. Any surfaces of the design not shown, including interior surfaces and any surfaces shown in broken lines, form no part of the claimed invention.

1 Claim, 8 Drawing Sheets



(56)

References Cited

U.S. PATENT DOCUMENTS

D711,886 S * 8/2014 Kerawala D14/440
 D738,619 S * 9/2015 Gluck
 D745,278 S * 12/2015 Gluck D3/300
 D747,321 S * 1/2016 London D14/440
 D749,069 S * 2/2016 Senoff D14/251
 D749,083 S * 2/2016 Senoff D14/451
 D749,559 S * 2/2016 Senoff D14/251
 D751,289 S * 3/2016 Gluck D3/247
 D753,912 S * 4/2016 Spero A45C 13/20
 D3/218
 9,397,717 B2 * 7/2016 Curran H04B 1/385
 9,421,920 B2 * 8/2016 Jang A45F 5/00
 D765,662 S * 9/2016 Kang D14/251
 D768,635 S * 10/2016 Due D14/432
 D775,619 S * 1/2017 Tien D14/250
 D782,488 S * 3/2017 Kim D14/447
 D788,092 S * 5/2017 Phang D14/250
 D815,086 S * 4/2018 Jeon D14/251
 D826,705 S * 8/2018 Zhou D8/401
 D829,722 S * 10/2018 Kim D14/447
 10,117,505 B1 * 11/2018 Alvarez A45F 5/00
 D844,598 S * 4/2019 Jang D14/251
 10,274,814 B2 * 4/2019 Jeon F16M 11/32
 D847,805 S * 5/2019 Lederer D14/250
 D850,455 S * 6/2019 Cheng D14/440
 D855,048 S * 7/2019 Kim D14/253
 D855,049 S * 7/2019 Kim D14/253
 D857,688 S * 8/2019 Ren D14/253
 D858,507 S * 9/2019 Jang D14/251
 D859,417 S * 9/2019 Kim D14/447
 D866,546 S * 11/2019 Stillwell D14/253

D871,389 S * 12/2019 Lim D14/253
 D874,454 S * 2/2020 Lederer D14/253
 10,581,480 B1 * 3/2020 Kim H04B 1/3888
 D881,551 S * 4/2020 Feng D3/201
 D885,376 S * 5/2020 He D14/253
 D887,132 S * 6/2020 Puglisi D3/249
 2001/0040202 A1 * 11/2001 Adams, IV A47K 1/09
 248/206.2
 2009/0090750 A1 * 4/2009 Alcenat A45F 5/00
 224/101
 2013/0146625 A1 * 6/2013 Karle A45F 5/00
 224/217
 2013/0279098 A1 * 10/2013 Cho H05K 7/00
 361/679.01
 2014/0027482 A1 * 1/2014 Crawford A45F 5/102
 224/197
 2014/0084034 A1 * 3/2014 Wangercyn, Jr. H04B 1/385
 224/217
 2014/0117177 A1 * 5/2014 Shamsadov H05K 7/00
 248/205.1
 2015/0257288 A1 * 9/2015 Livernois F16M 11/38
 248/346.06
 2015/0312389 A1 * 10/2015 Curran H04B 1/385
 455/575.6
 2016/0353867 A1 * 12/2016 Due A45F 5/10
 2017/0055660 A1 * 3/2017 Tien A45C 11/00
 2017/0104854 A1 * 4/2017 Park A45F 5/00
 2017/0135234 A1 * 5/2017 Kim E05D 3/022
 2017/0196331 A1 * 7/2017 Gluck A45C 11/182
 2018/0220782 A1 * 8/2018 Mody A45F 5/00
 2018/0284841 A1 * 10/2018 Lee G06F 3/03548
 2019/0208046 A1 * 7/2019 Gluck H04M 1/04

* cited by examiner

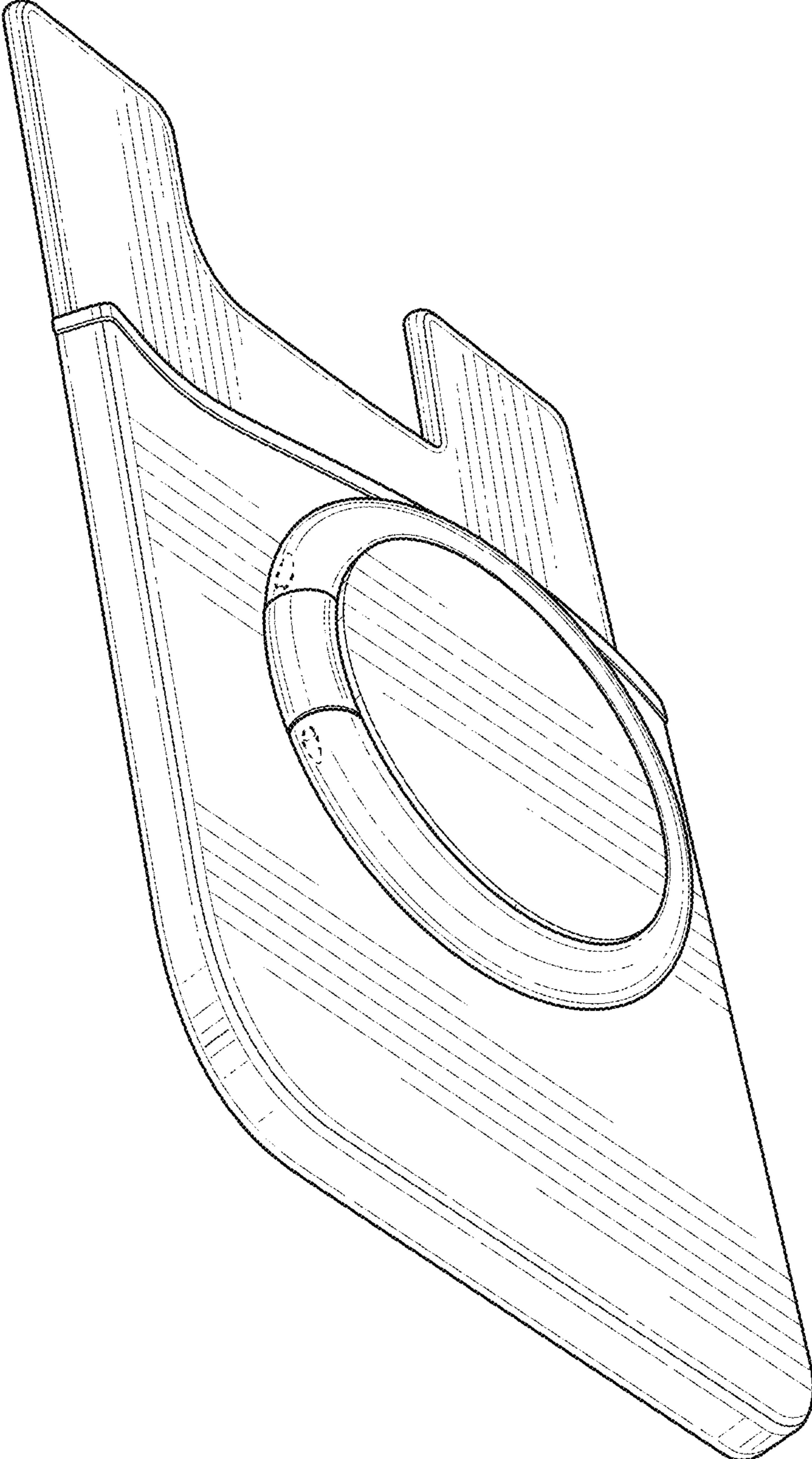


FIG. 1

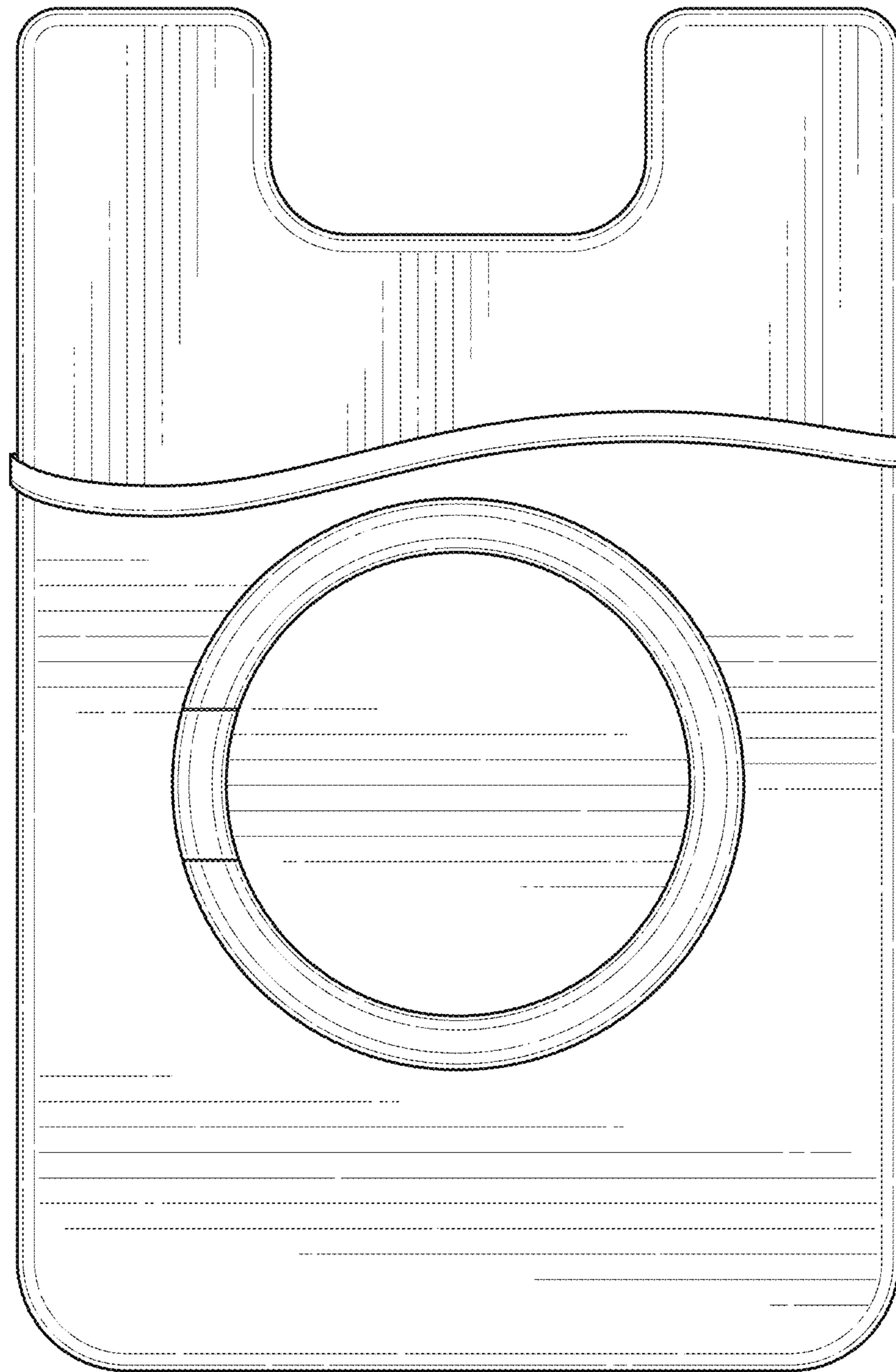


FIG. 2

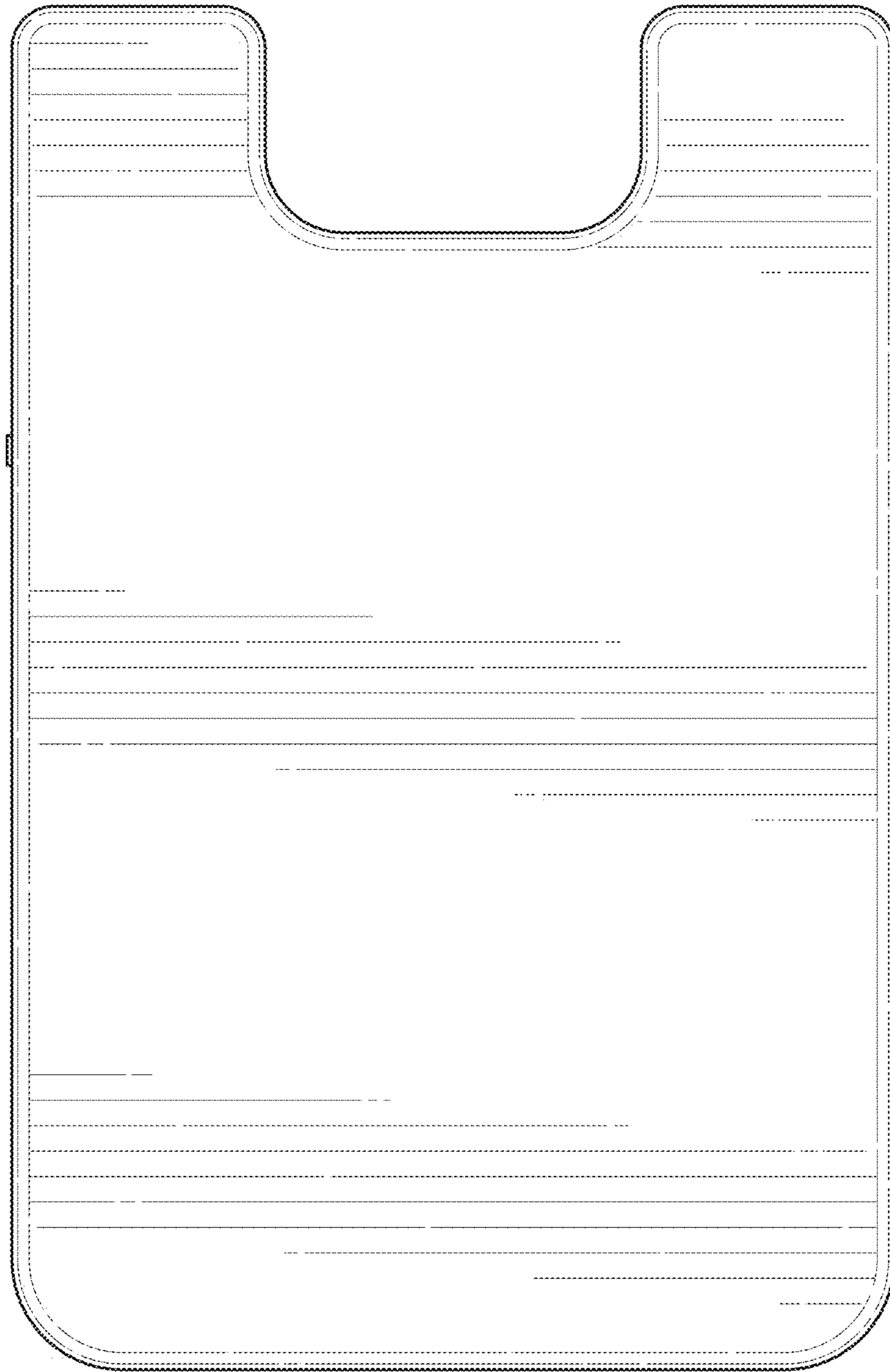


FIG. 3

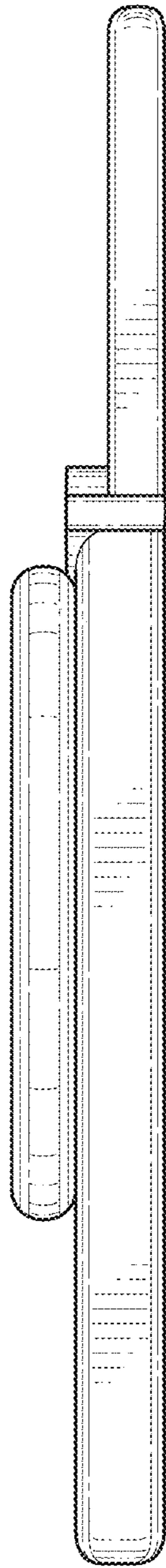


FIG. 4

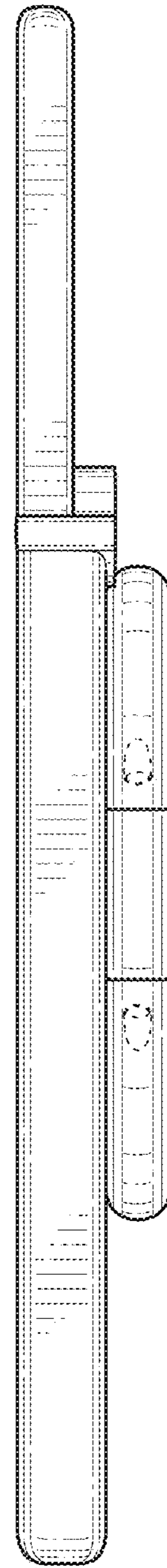


FIG. 5

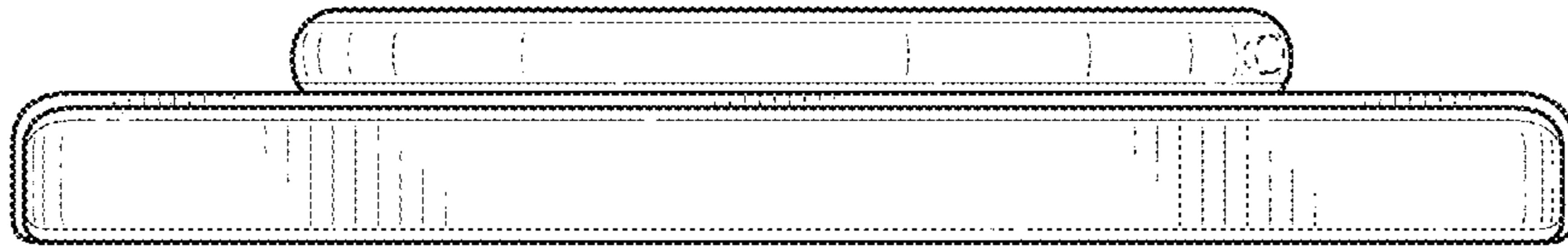


FIG. 7

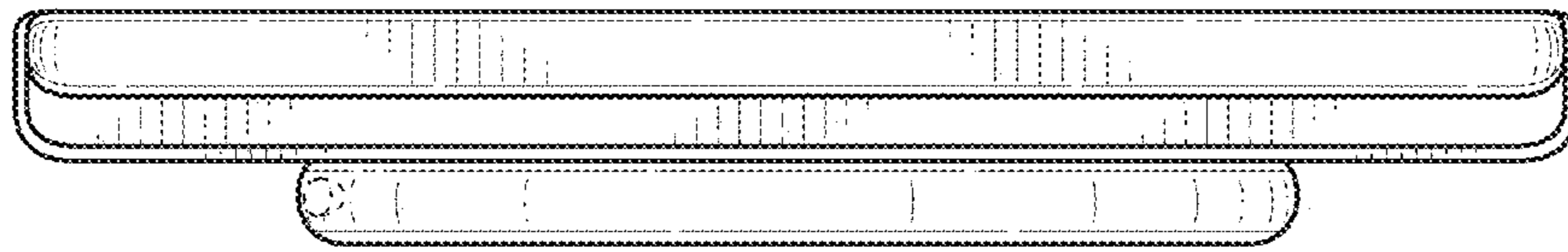


FIG. 6

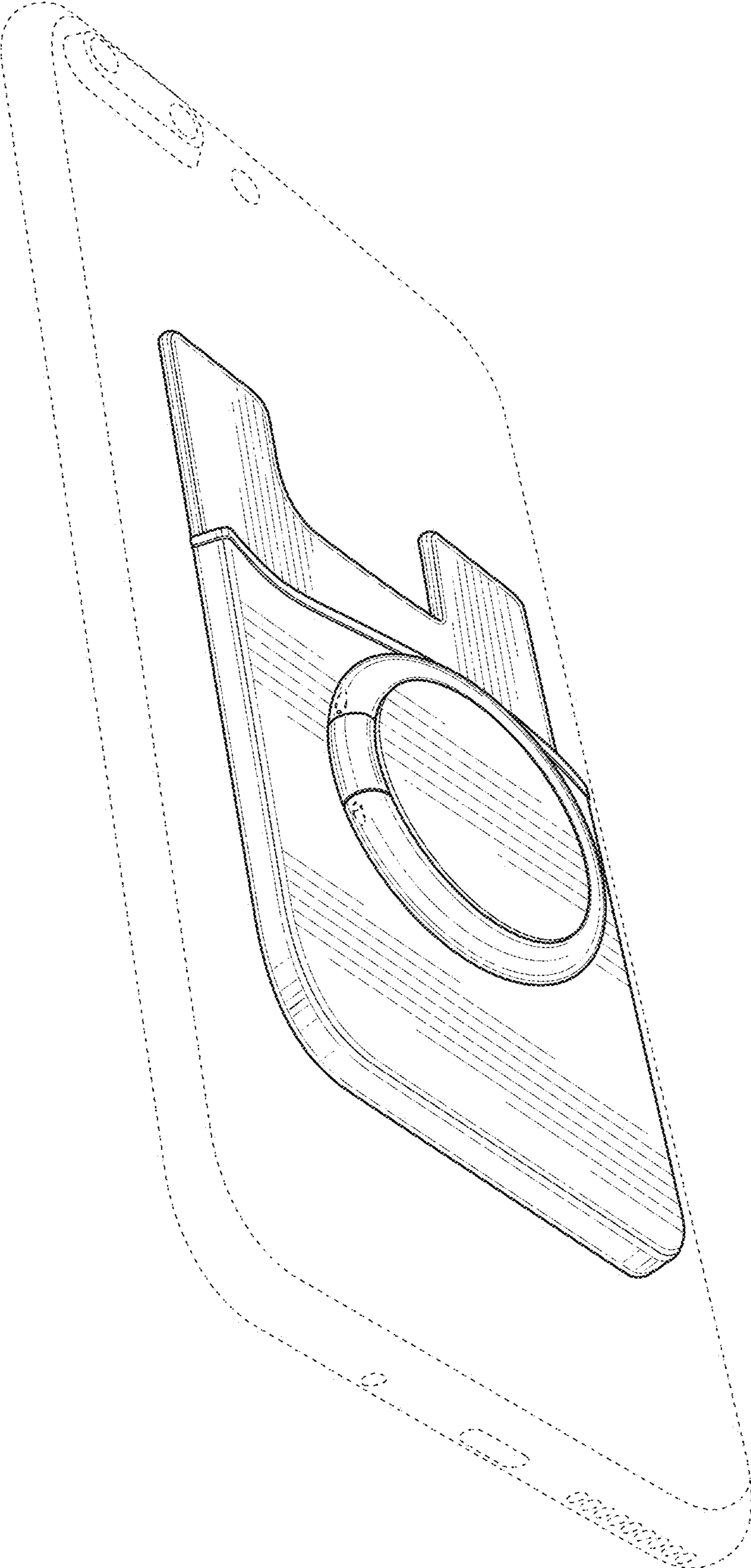


FIG. 8

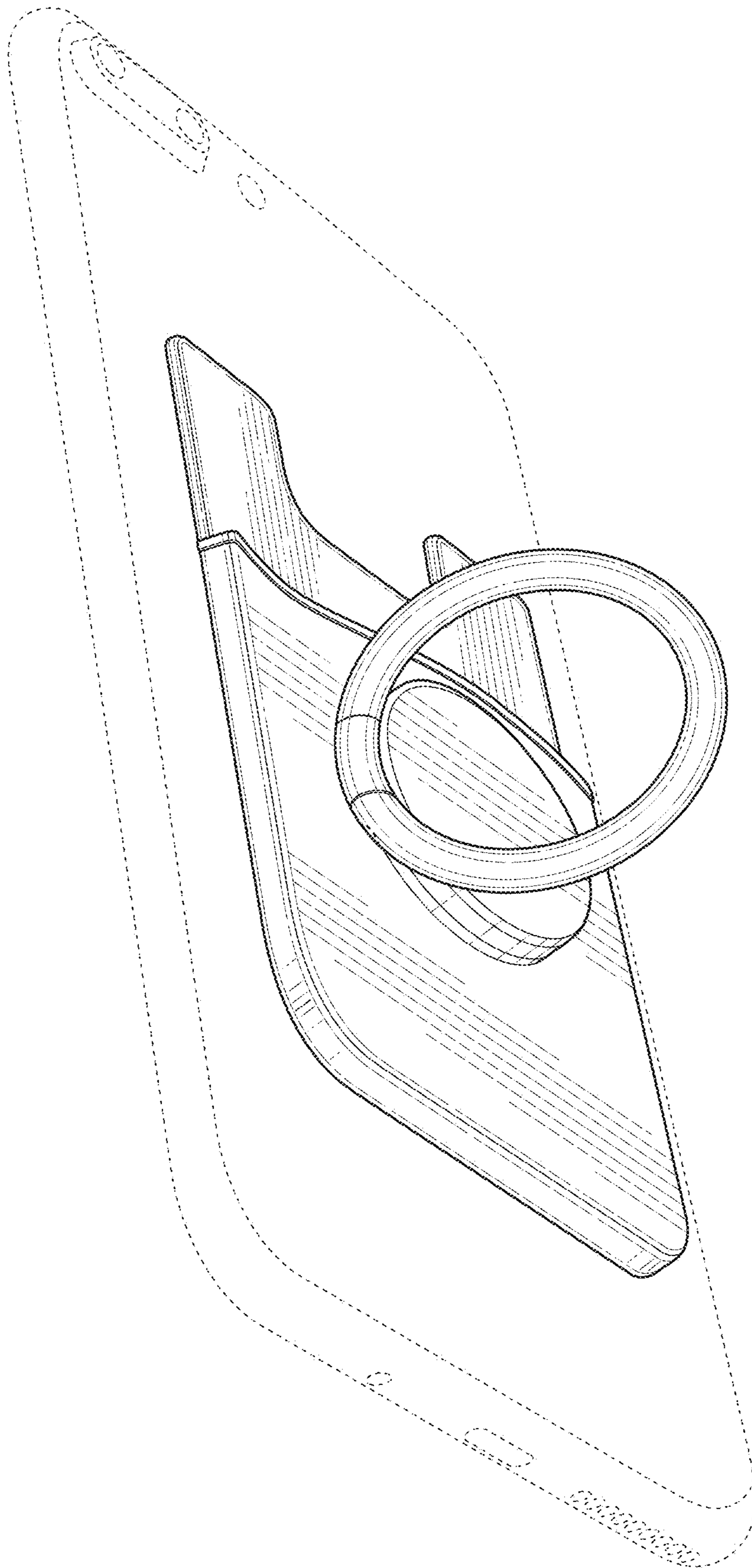


FIG. 9

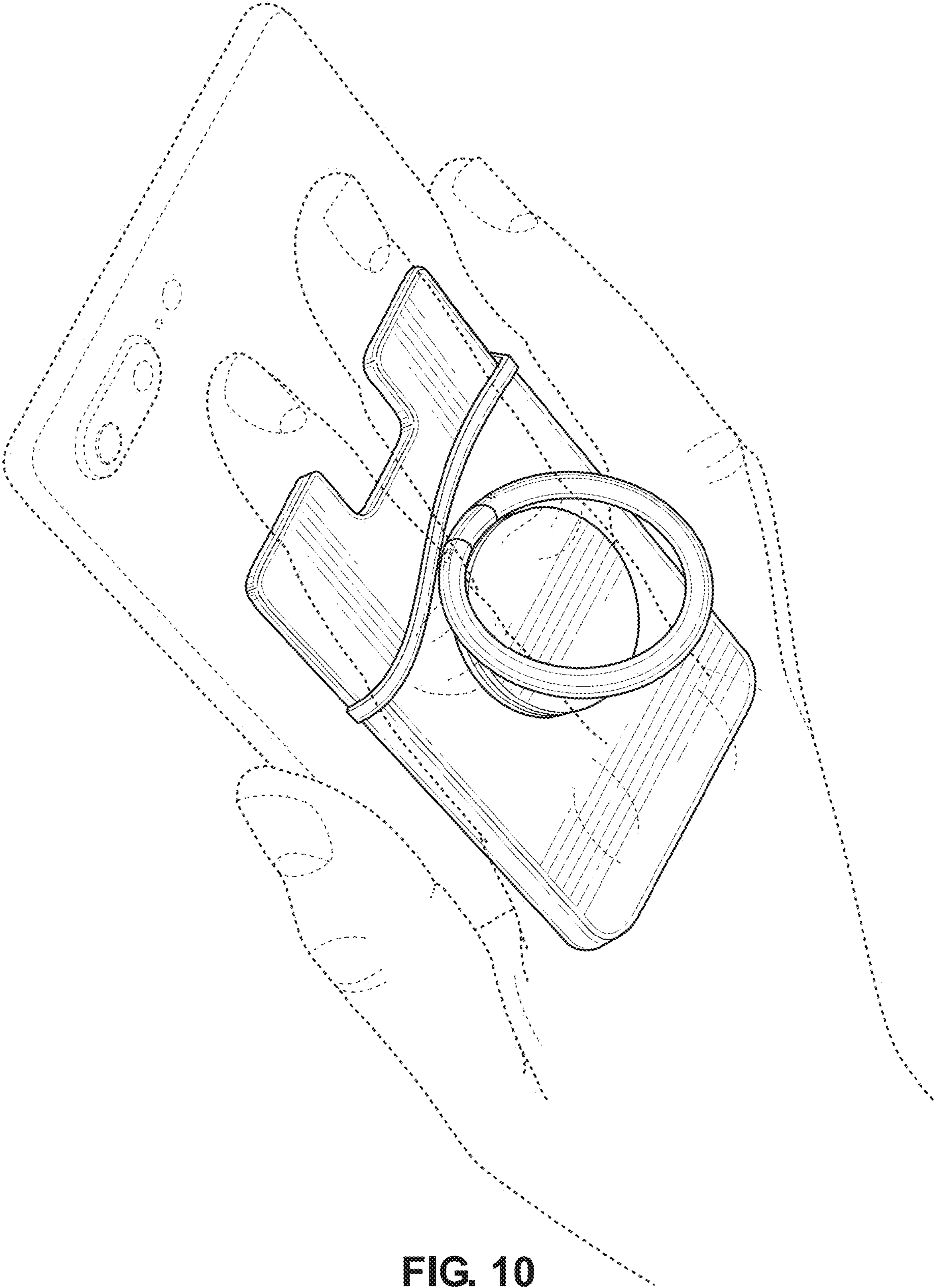


FIG. 10