



US00D902193S

(12) **United States Design Patent** (10) **Patent No.:** **US D902,193 S**  
**Altschul et al.** (45) **Date of Patent:** **\*\* Nov. 17, 2020**

(54) **POCKET CASE FOR A MOBILE COMMUNICATIONS DEVICE**  
(71) Applicant: **Catalyst Medium Four, Inc.**, Austin, TX (US)  
(72) Inventors: **Matthew Altschul**, Austin, TX (US); **Beejan Soheili**, Chula Vista, CA (US)  
(73) Assignee: **CATALYST MEDIUM FOUR, INC.**, Austin, TX (US)  
(\*\*) Term: **15 Years**  
(21) Appl. No.: **29/699,564**  
(22) Filed: **Jul. 26, 2019**  
(51) **LOC (12) Cl.** ..... **14-03**  
(52) **U.S. Cl.**  
USPC ..... **D14/250**  
(58) **Field of Classification Search**  
USPC .... D14/217, 238.1, 240, 248, 250, 251–253, D14/439, 440, 447; D13/107–108, 103, D13/119; D3/201, 269, 273, 301, 218, D3/247, 303  
CPC ..... H04B 1/3888; H04M 1/0283; H04M 1/0202; A45C 1/06; A45C 11/00; A45C 13/02; A45C 2011/002; A45F 2005/026; A45F 2200/0525; A45F 2200/0516  
See application file for complete search history.

(56) **References Cited**  
U.S. PATENT DOCUMENTS  
D639,260 S \* 6/2011 Carroll ..... D14/138 G  
D650,766 S \* 12/2011 Hong ..... D14/138 G  
D724,573 S \* 3/2015 Stevinson ..... D14/250  
D735,706 S \* 8/2015 Stevinson ..... D14/250  
D772,857 S \* 11/2016 Poon ..... D14/250  
D775,615 S \* 1/2017 Tien ..... D14/250  
D776,105 S \* 1/2017 Han ..... D14/250

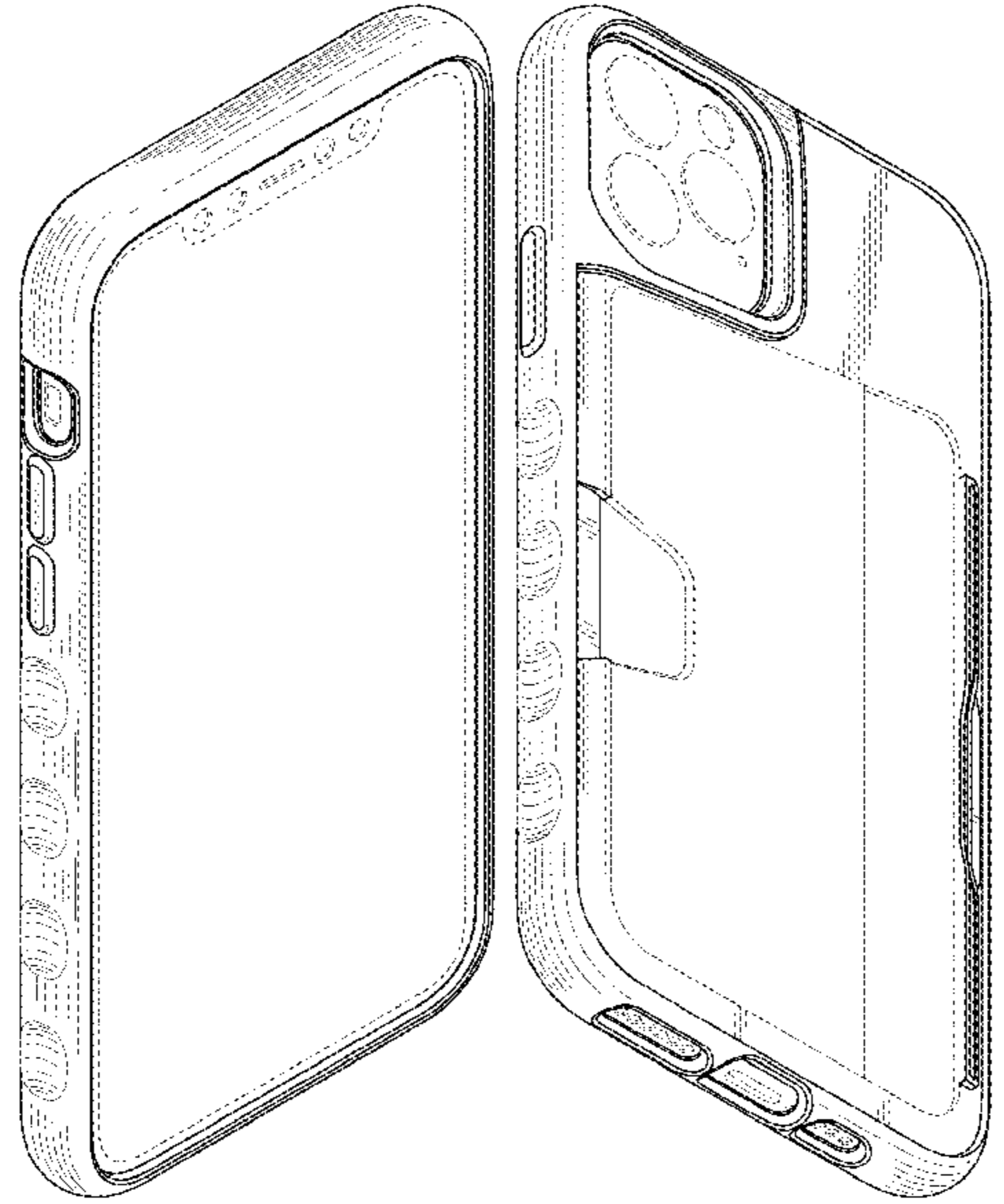
D780,738 S \* 3/2017 Barfoot ..... D14/250  
9,661,116 B1 \* 5/2017 Chung ..... A45C 11/00  
D807,335 S \* 1/2018 Kitade ..... D14/248  
D816,653 S \* 5/2018 Yu ..... D14/250  
D824,892 S \* 8/2018 Altschul ..... D14/250  
D828,320 S \* 9/2018 Tschopp ..... D14/138 G  
D830,352 S \* 10/2018 Chung ..... D14/250  
D831,630 S \* 10/2018 Altschul ..... D14/250  
D834,010 S \* 11/2018 Kim ..... D14/250  
D836,096 S \* 12/2018 Altschul ..... D14/250  
D837,774 S \* 1/2019 Koo ..... D14/250  
(Continued)

*Primary Examiner* — Khawaja Anwar  
*Assistant Examiner* — Mojtaba Tehrani  
(74) *Attorney, Agent, or Firm* — Scheinberg & Associates, PC; John B. Kelly

(57) **CLAIM**  
We claim the ornamental design for a pocket case for a mobile communications device, as shown and described.

**DESCRIPTION**  
FIG. 1 is a front perspective view of a pocket case for a mobile communications device according to the present design.  
FIG. 2 is a back perspective view thereof.  
FIG. 3 is a back plan view thereof.  
FIG. 4 is a front plan view thereof.  
FIG. 5 is a side elevation view thereof.  
FIG. 6 is a side elevation view thereof, the side being the side opposite of the side shown in FIG. 5.  
FIG. 7 is a top elevation view thereof; and,  
FIG. 8 is bottom elevation view thereof.  
The broken lines depicting portions of a mobile communications device represent environmental subject matter that forms no part of the claimed design. The broken line features on the side surfaces and the back surface of the article represent portions of the pocket case for a mobile communications device that form no part of the claimed design.

**1 Claim, 3 Drawing Sheets**



(56)

## References Cited

## U.S. PATENT DOCUMENTS

D837,775 S \* 1/2019 Koo ..... D14/250  
D849,731 S \* 5/2019 Koo ..... D14/250  
D849,733 S \* 5/2019 Yun ..... D14/250  
D850,434 S \* 6/2019 Yun ..... D14/250  
D850,435 S \* 6/2019 Yun ..... D14/250  
D851,079 S \* 6/2019 Armstrong ..... D14/250  
D855,607 S \* 8/2019 Altschul ..... D14/250  
D863,278 S \* 10/2019 Ravid ..... D14/250  
D864,936 S \* 10/2019 Chiang ..... D14/250  
D865,742 S \* 11/2019 Altschul ..... D14/250  
D865,743 S \* 11/2019 Altschul ..... D14/250  
D867,985 S \* 11/2019 Nook ..... D13/107  
D873,785 S \* 1/2020 Jannard ..... D14/138 G  
D879,757 S \* 3/2020 Altschul ..... D14/250  
D879,758 S \* 3/2020 Altschul ..... D14/250  
D879,760 S \* 3/2020 Altschul ..... D14/250  
D880,465 S \* 4/2020 Altschul ..... D14/250  
2015/0355684 A1 \* 12/2015 Nakamura ..... G06F 1/1671  
361/679.3  
2016/0021996 A1 \* 1/2016 Tien ..... A45C 11/00  
224/191  
2016/0374443 A1 \* 12/2016 Kim ..... A45F 5/00  
206/38  
2019/0014319 A1 \* 1/2019 Jannard ..... H04N 19/13

\* cited by examiner

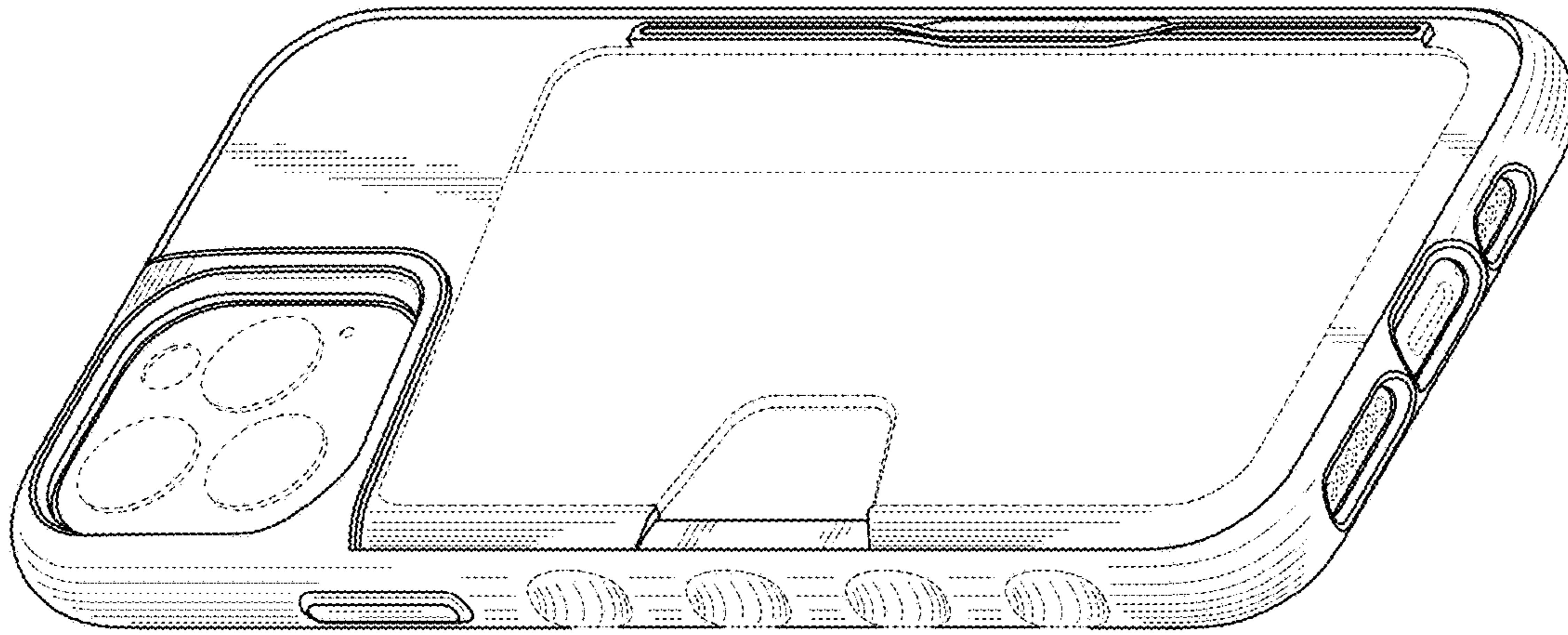


FIG. 2

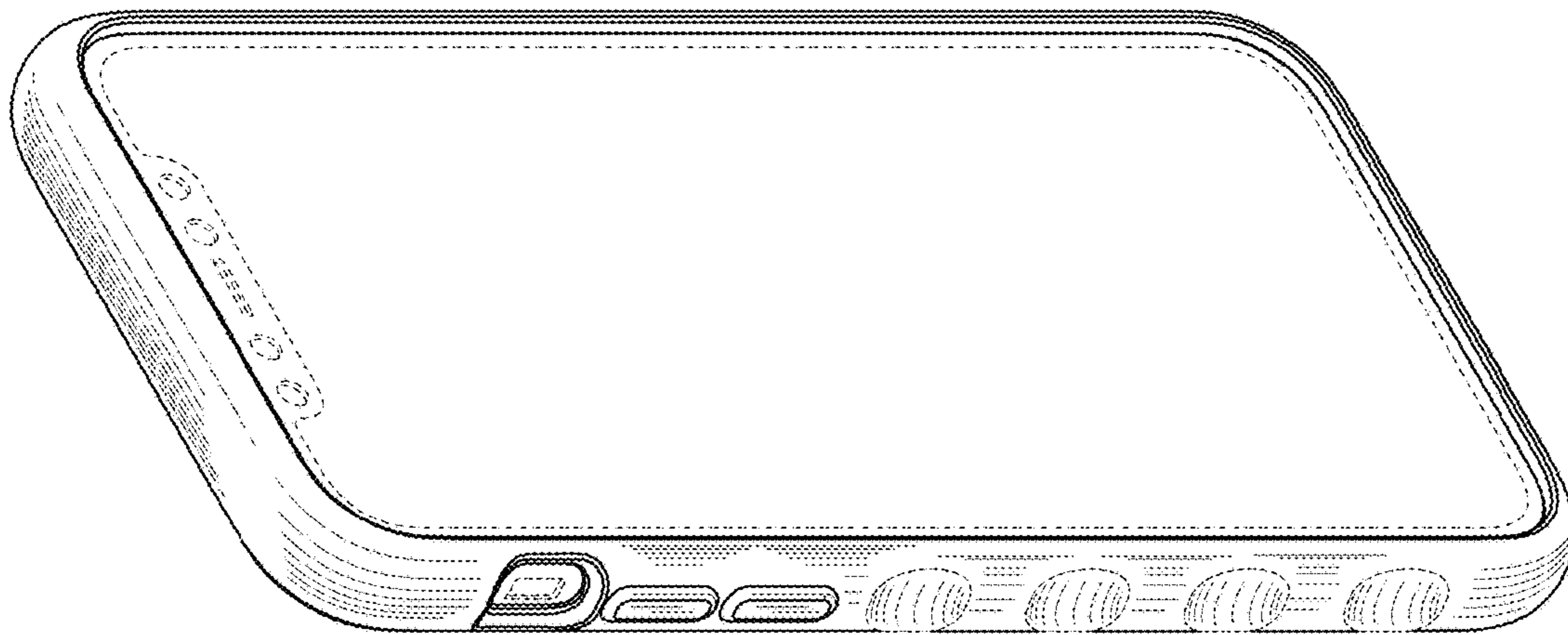


FIG. 1

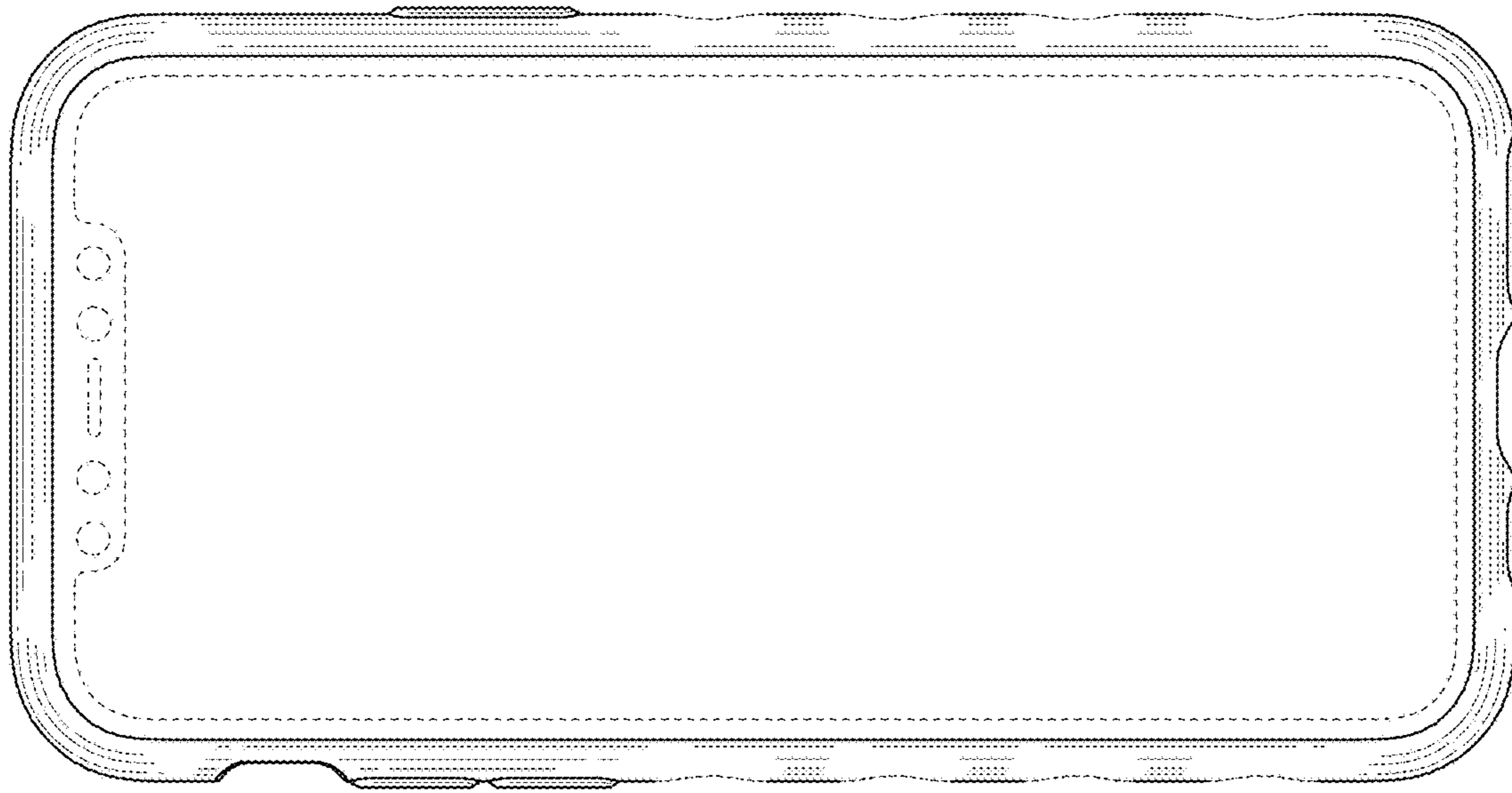


FIG. 4

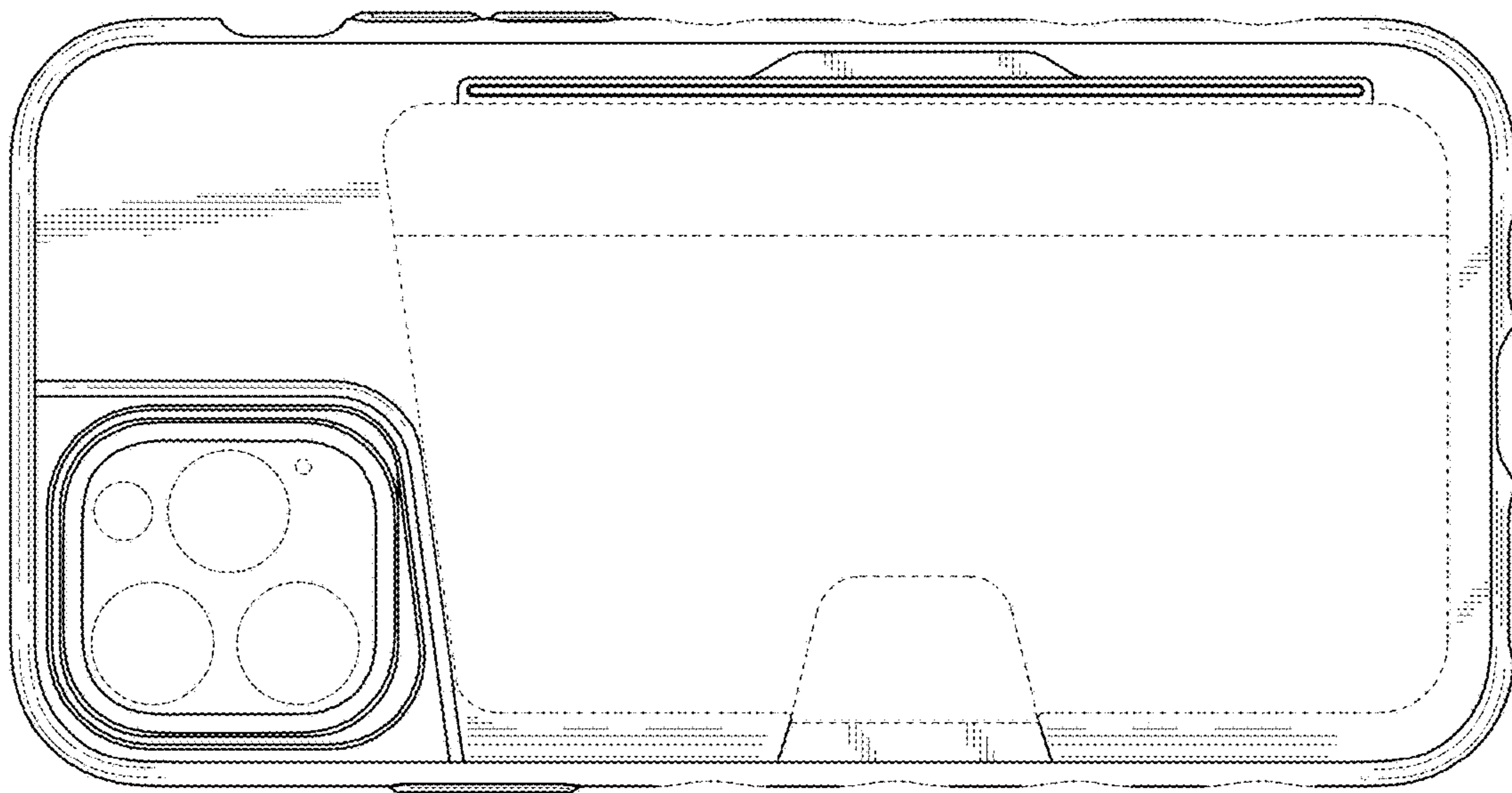


FIG. 3

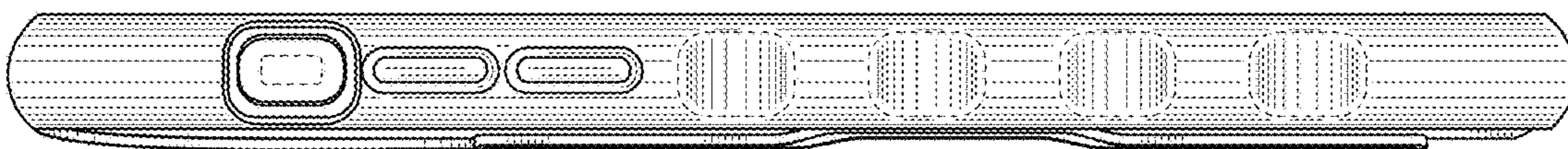


FIG. 5

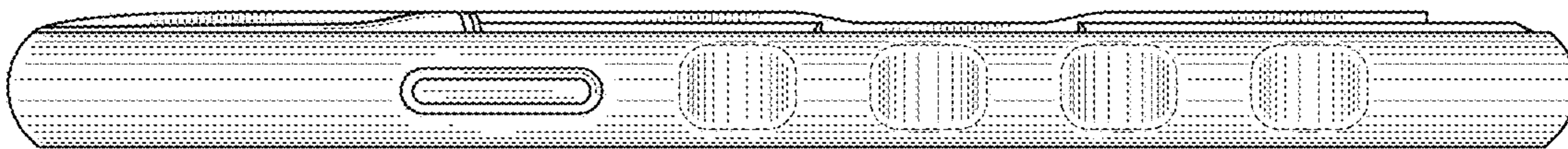


FIG. 6

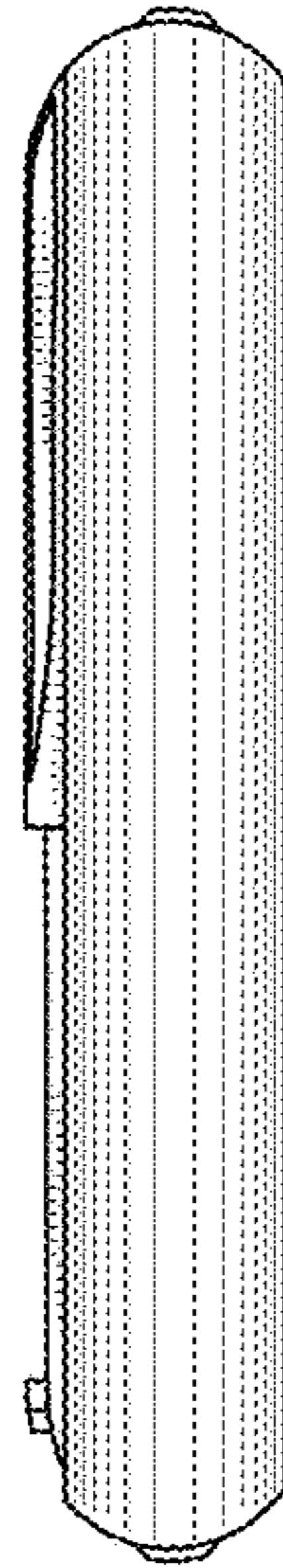


FIG. 7

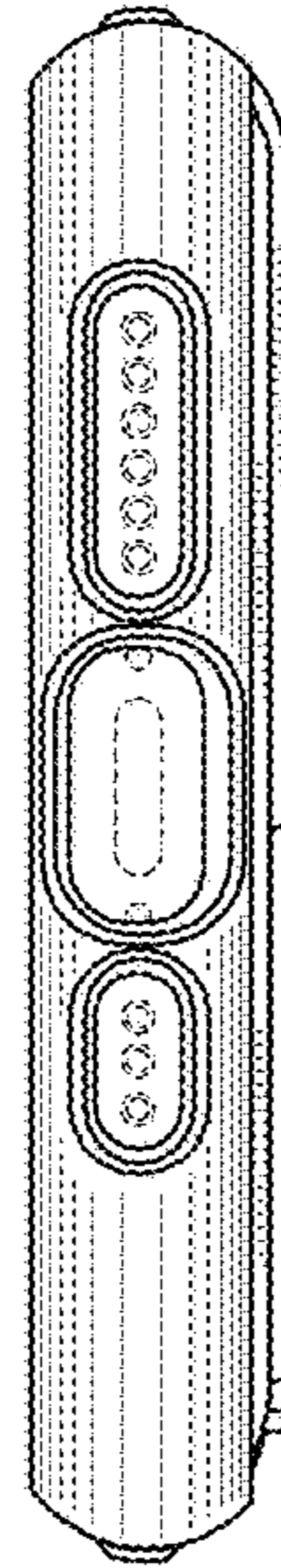


FIG. 8