



US00D902190S

(12) **United States Design Patent** (10) **Patent No.:** **US D902,190 S**  
**Yang** (45) **Date of Patent:** **\*\* Nov. 17, 2020**

(54) **ANTENNA**  
(71) Applicant: **SHENZHEN ANTOP TECHNOLOGY LIMITED,**  
Guangdong (CN)  
(72) Inventor: **Ruidian Yang,** Guangdong (CN)  
(73) Assignee: **Shenzhen Antop Technology Limited,**  
Shenzhen (CN)  
(\*\*) Term: **15 Years**

D528,537 S 9/2006 Wang  
D622,699 S 8/2010 Jiang et al.  
D777,141 S 1/2017 Lee et al.  
D782,430 S 3/2017 Tam  
D791,774 S \* 7/2017 Wilcox ..... D14/444  
D808,915 S 1/2018 Wang  
D821,325 S 6/2018 Duran et al.  
D825,540 S 8/2018 Wilcox et al.  
D833,401 S \* 11/2018 Wilcox ..... D13/152  
D851,052 S 6/2019 Wilcox et al.  
D856,327 S 8/2019 Huang  
D879,774 S 3/2020 Pennington et al.  
2015/0033953 A1 \* 2/2015 Fung ..... A47J 37/0611  
99/377

(21) Appl. No.: **29/738,396**

\* cited by examiner

(22) Filed: **Jun. 17, 2020**

*Primary Examiner* — John Windmuller

**Related U.S. Application Data**

(74) *Attorney, Agent, or Firm* — Muncy, Geissler, Olds & Lowe, P.C.

(62) Division of application No. 29/690,466, filed on May 8, 2019.

(51) **LOC (12) Cl.** ..... **14-03**

(52) **U.S. Cl.**  
USPC ..... **D14/230**

(58) **Field of Classification Search**  
USPC ..... D14/138, 230–238, 299, 358; D12/42, D12/43; D19/86, 90, 91, 113  
CPC ..... H01Q 7/00; H01Q 13/10; H01Q 9/285; H01Q 19/30; H01Q 19/12; H01Q 1/38; H01Q 1/36; H04B 1/0475; H04B 1/034; H05K 11/00  
See application file for complete search history.

(57) **CLAIM**

The ornamental design for an antenna, as shown and described.

**DESCRIPTION**

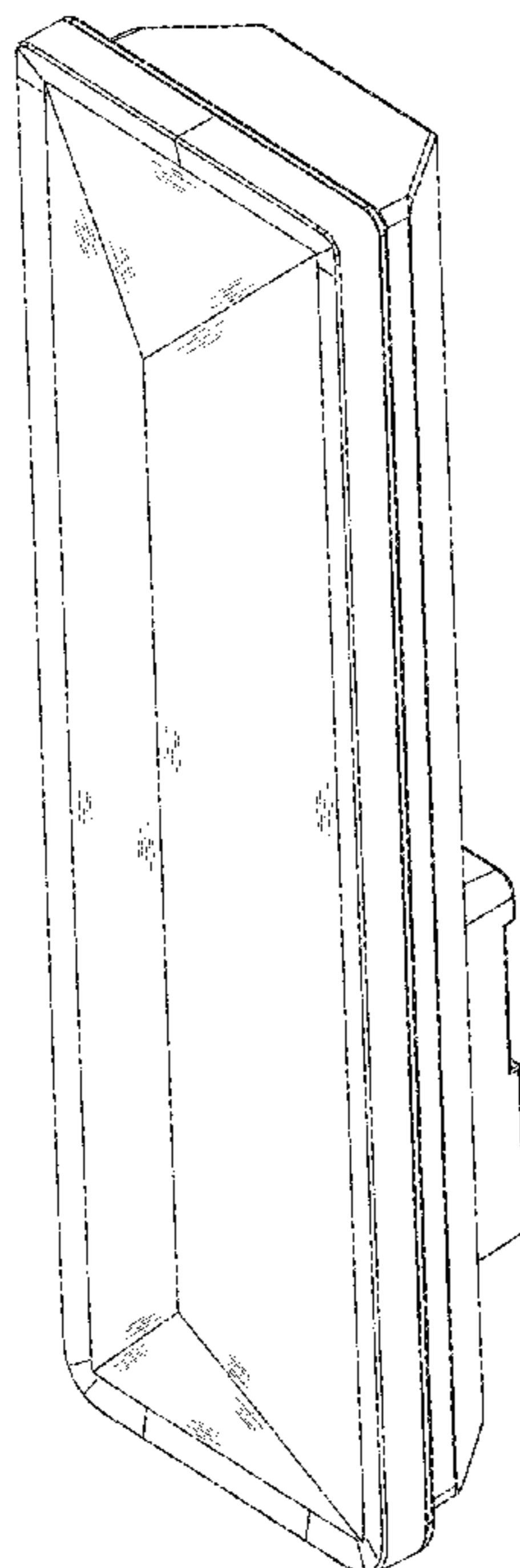
FIG. 1 is a front perspective view of an antenna showing my new design;  
FIG. 2 is a rear perspective view thereof;  
FIG. 3 is a front elevational view thereof;  
FIG. 4 is a rear elevational view thereof;  
FIG. 5 is a left side view thereof;  
FIG. 6 is a right side view thereof  
FIG. 7 is a top plan view thereof; and,  
FIG. 8 is a bottom plan view thereof.  
The broken lines are for the purpose of illustrating portions of the antenna which form no part of the claimed design.

(56) **References Cited**

**U.S. PATENT DOCUMENTS**

D313,596 S 1/1991 Tsuboi  
D376,367 S 12/1996 Mailandt

**1 Claim, 8 Drawing Sheets**



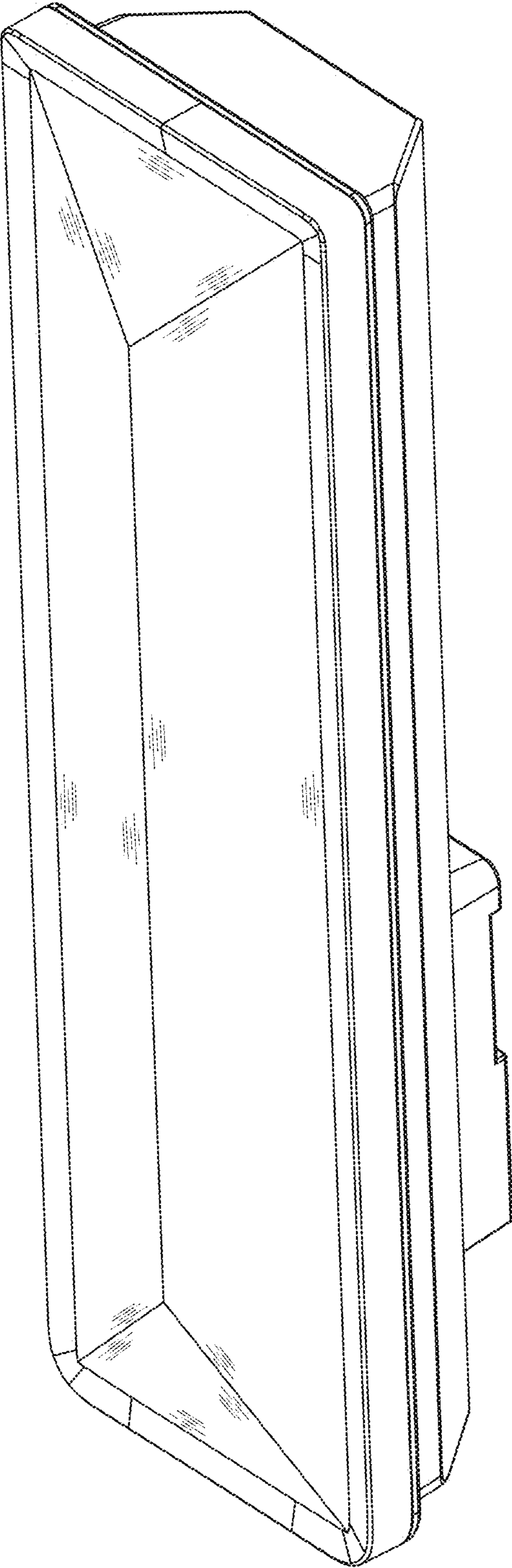


FIG. 1

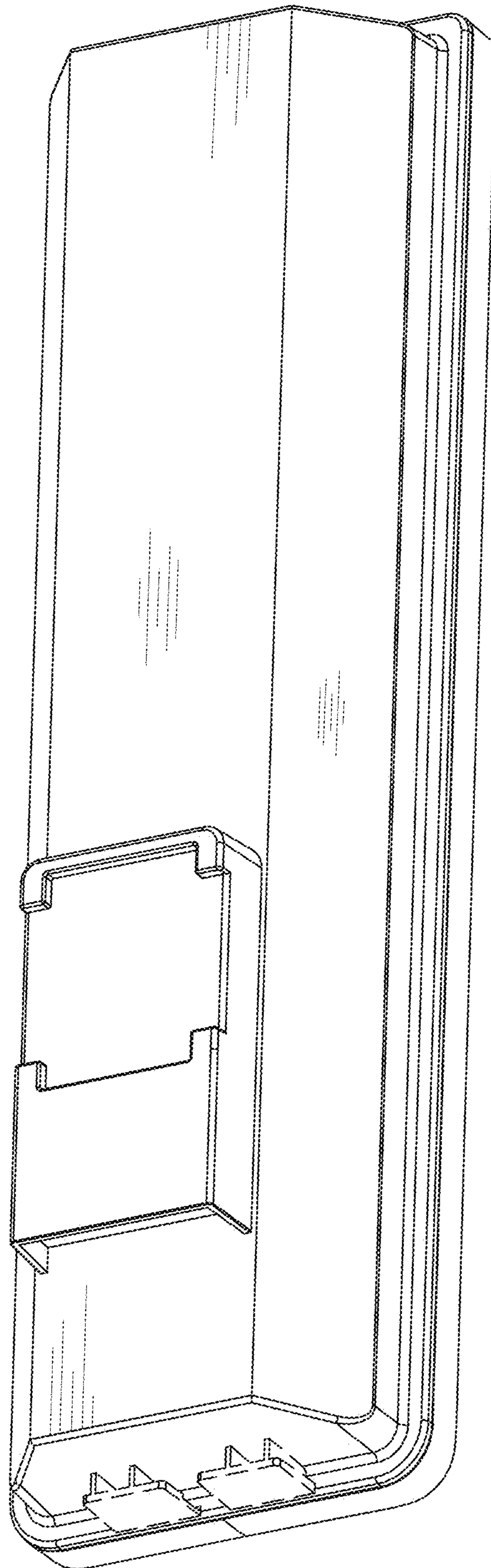


FIG.2

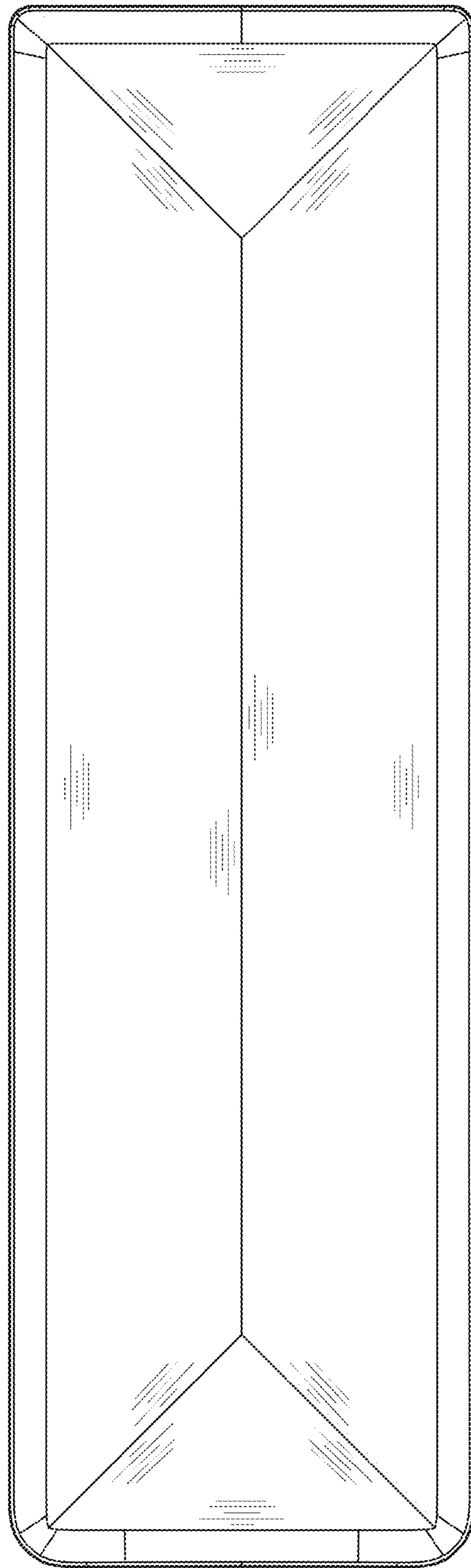


FIG.3

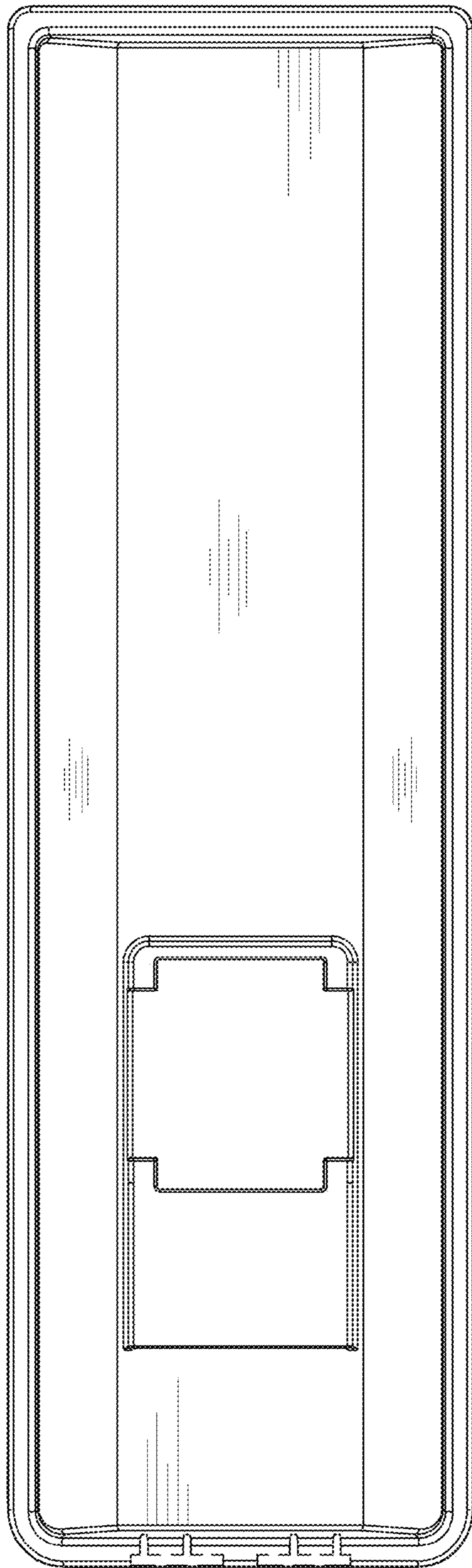


FIG.4

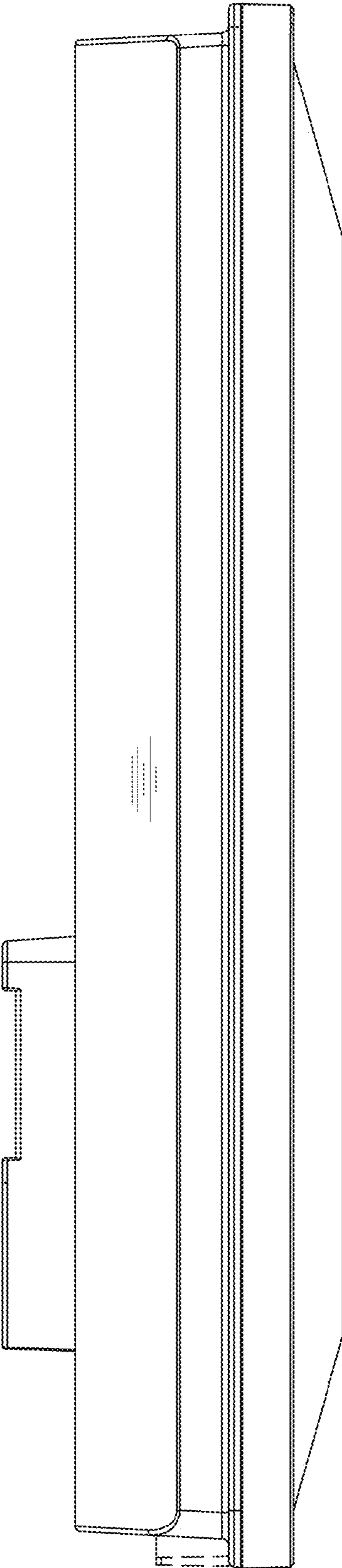


FIG.5

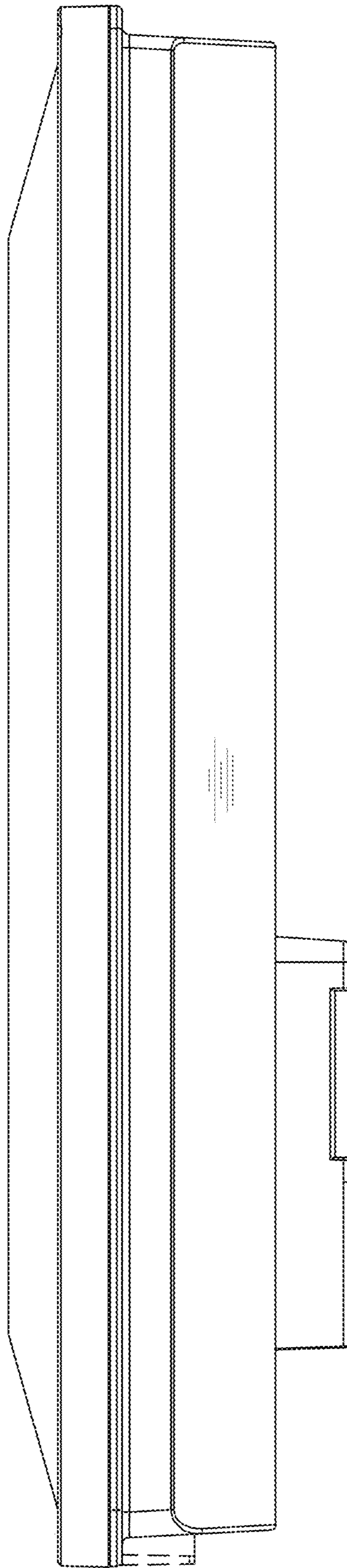


FIG.6

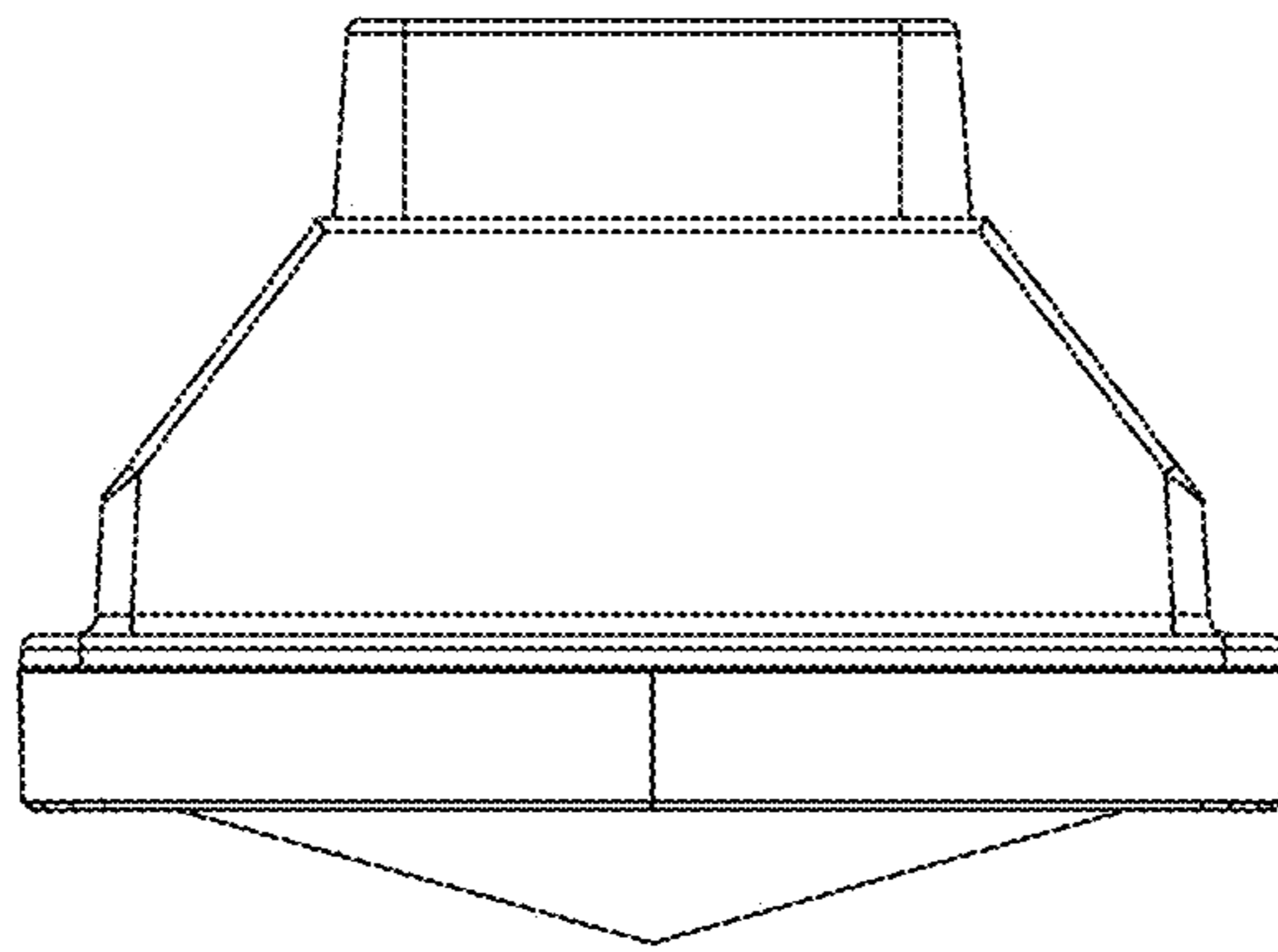


FIG.7



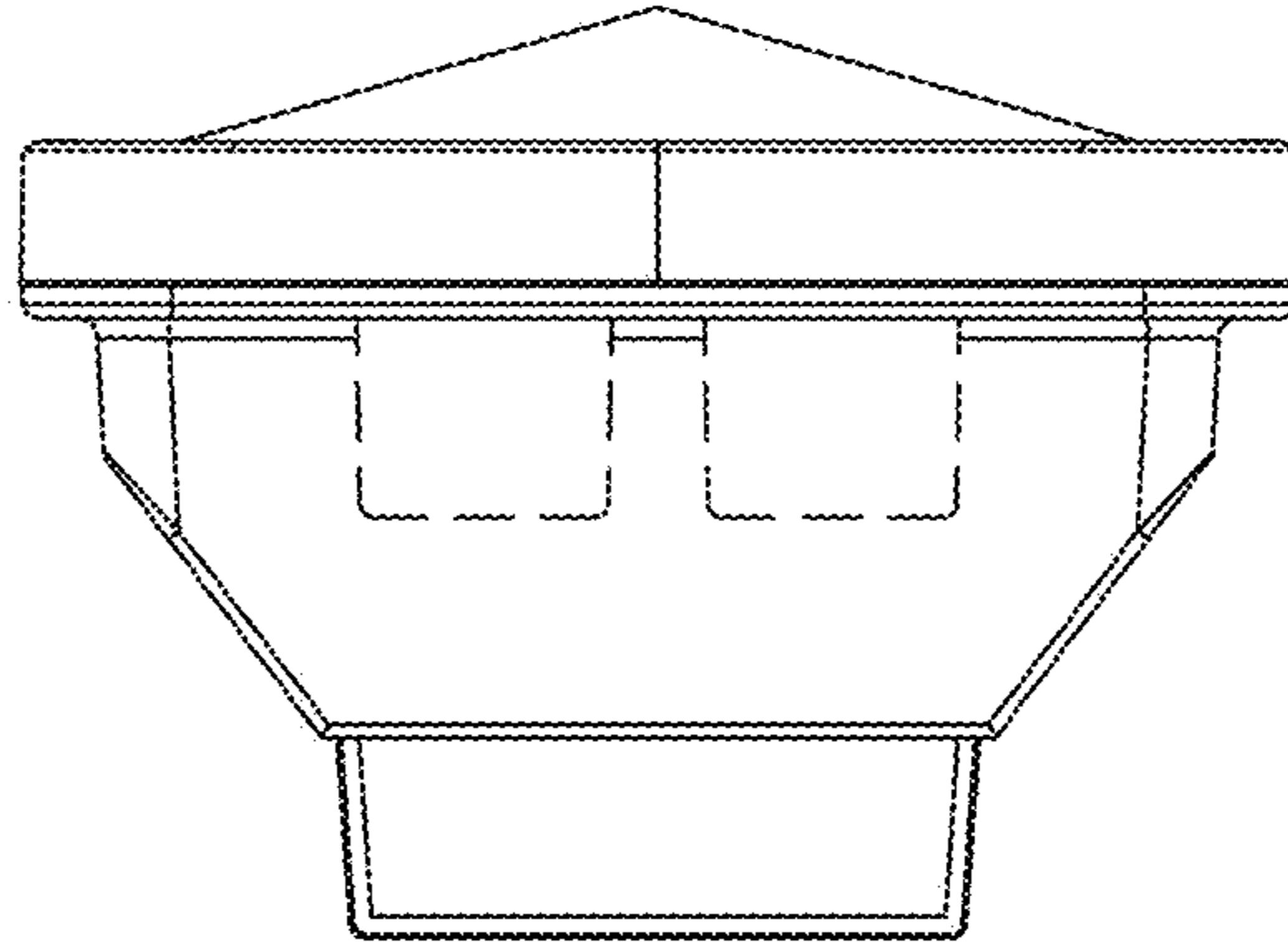


FIG.8