



US00D902189S

(12) **United States Design Patent** (10) **Patent No.:** **US D902,189 S**
Yang (45) **Date of Patent:** **** Nov. 17, 2020**

(54) **ANTENNA**
(71) Applicant: **SHENZHEN ANTOP TECHNOLOGY LIMITED**, Guangdong (CN)
(72) Inventor: **Ruidian Yang**, Guangdong (CN)
(73) Assignee: **SHENZHEN ANTOP TECHNOLOGY LIMITED**, Shenzhen (CN)

D528,537 S * 9/2006 Wang D14/230
D622,699 S * 8/2010 Jiang D14/168
D777,141 S * 1/2017 Lee D14/218
D782,430 S * 3/2017 Tam D14/125
D808,915 S * 1/2018 Wang D14/125
D821,325 S * 6/2018 Duran D13/124
D825,540 S * 8/2018 Wilcox D14/242
D851,052 S * 6/2019 Wilcox D13/184
D856,327 S * 8/2019 Huang D14/365
D879,774 S * 3/2020 Pennington, Jr. D14/348

* cited by examiner

(**) Term: **15 Years**

Primary Examiner — John Windmuller
(74) *Attorney, Agent, or Firm* — Muncy, Geissler, Olds & Lowe, P.C.

(21) Appl. No.: **29/690,466**

(22) Filed: **May 8, 2019**

(57) **CLAIM**

(51) **LOC (12) Cl.** **14-03**

The ornamental design for an antenna, as shown and described.

(52) **U.S. Cl.**
USPC **D14/230**

DESCRIPTION

(58) **Field of Classification Search**
USPC D14/138, 230–238, 299, 358; D12/42, D12/43; D19/86, 90, 91, 113
CPC H01Q 7/00; H01Q 13/10; H01Q 9/285; H01Q 19/30; H01Q 19/12; H01Q 1/38; H01Q 1/36; H04B 1/0475; H04B 1/034; H05K 11/00
See application file for complete search history.

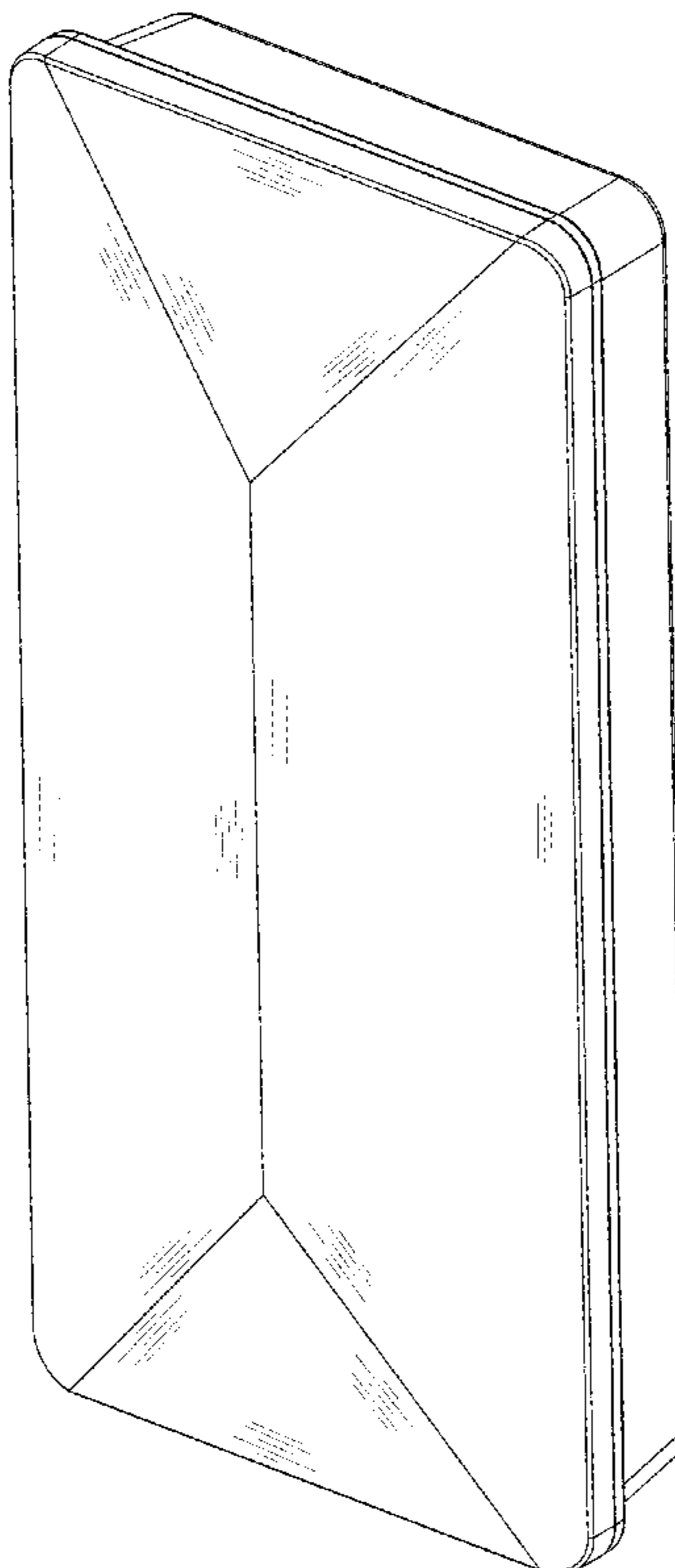
FIG. 1 is a front perspective view of an antenna showing my new design;
FIG. 2 is a rear perspective view thereof;
FIG. 3 is a front elevational view thereof;
FIG. 4 is a rear elevational view thereof;
FIG. 5 is a left side view thereof;
FIG. 6 is a right side view thereof;
FIG. 7 is a top plan view thereof; and,
FIG. 8 is a bottom plan view thereof.
The broken lines are for the purpose of illustrating portions of the antenna which form no part of the claimed design.

(56) **References Cited**

U.S. PATENT DOCUMENTS

D313,596 S * 1/1991 Tsuboi D14/163
D376,367 S * 12/1996 Mailandt D14/230

1 Claim, 8 Drawing Sheets



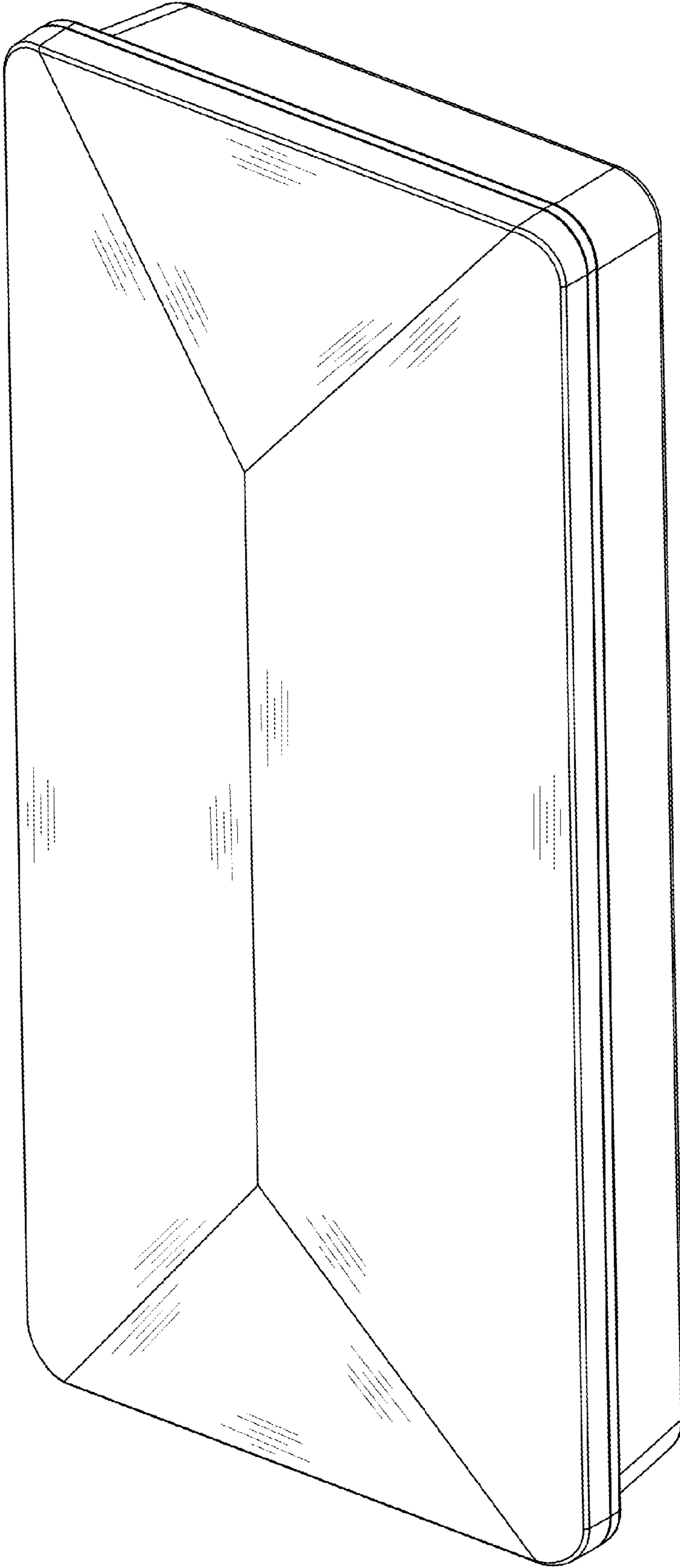


FIG. 1

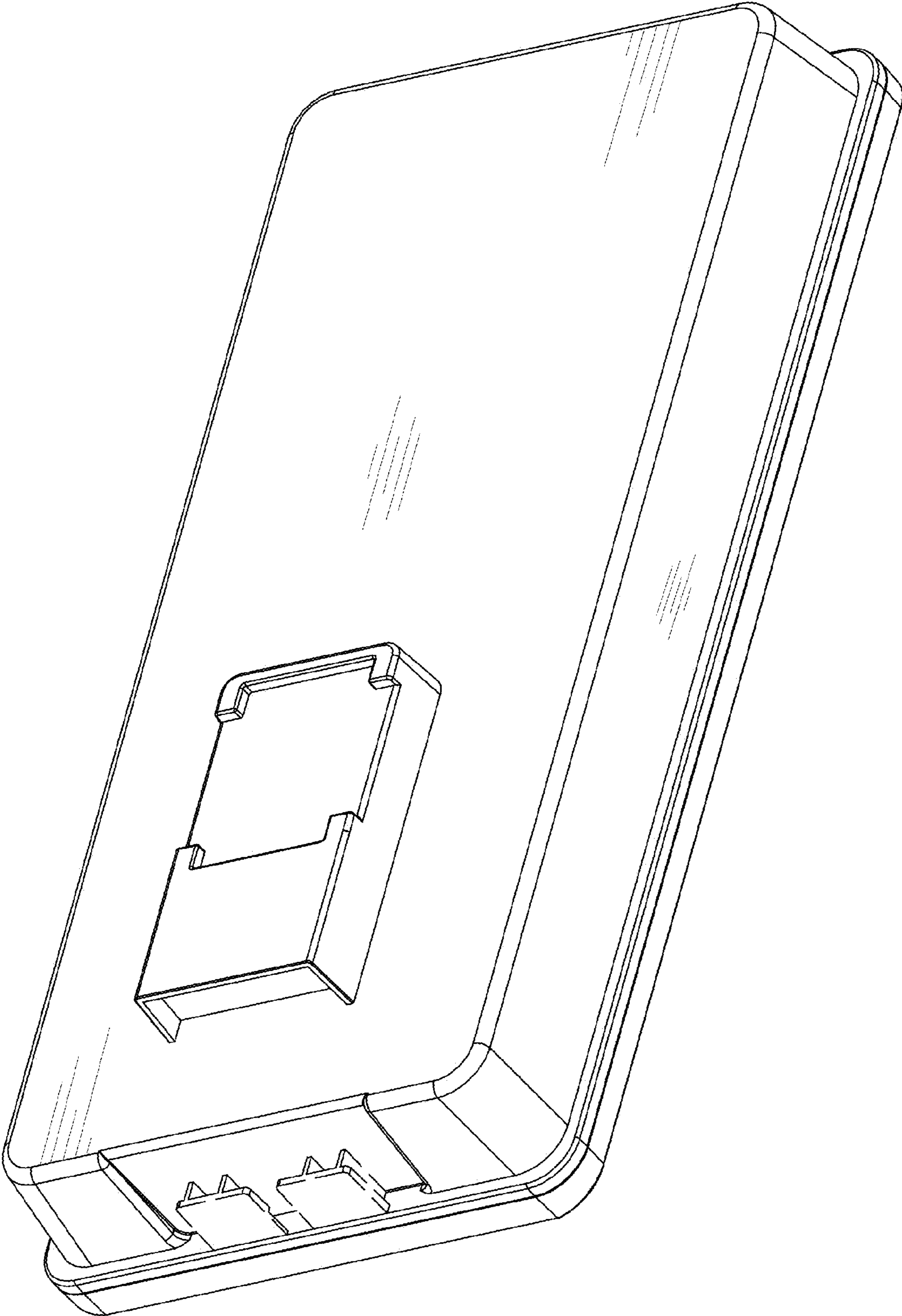


FIG.2

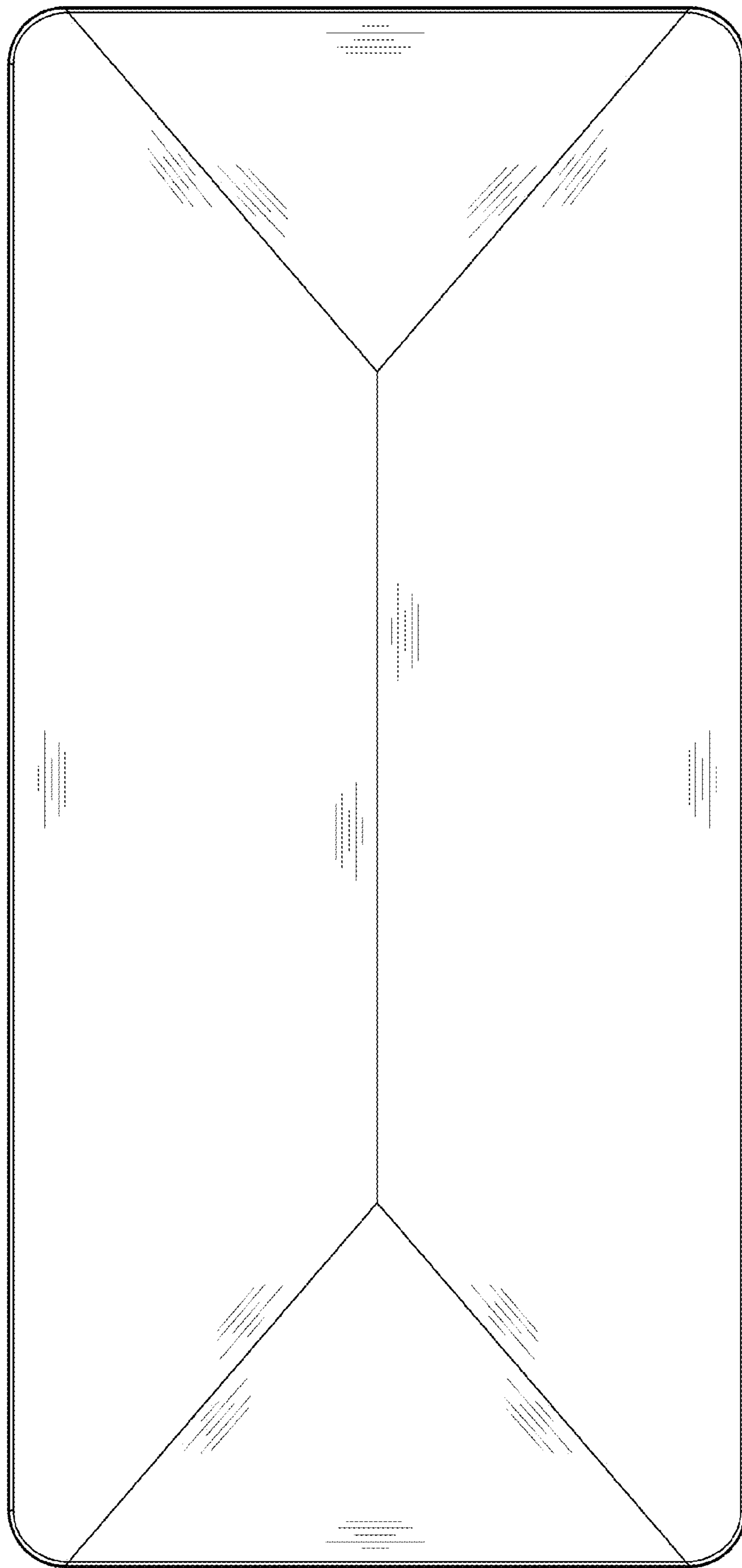


FIG.3

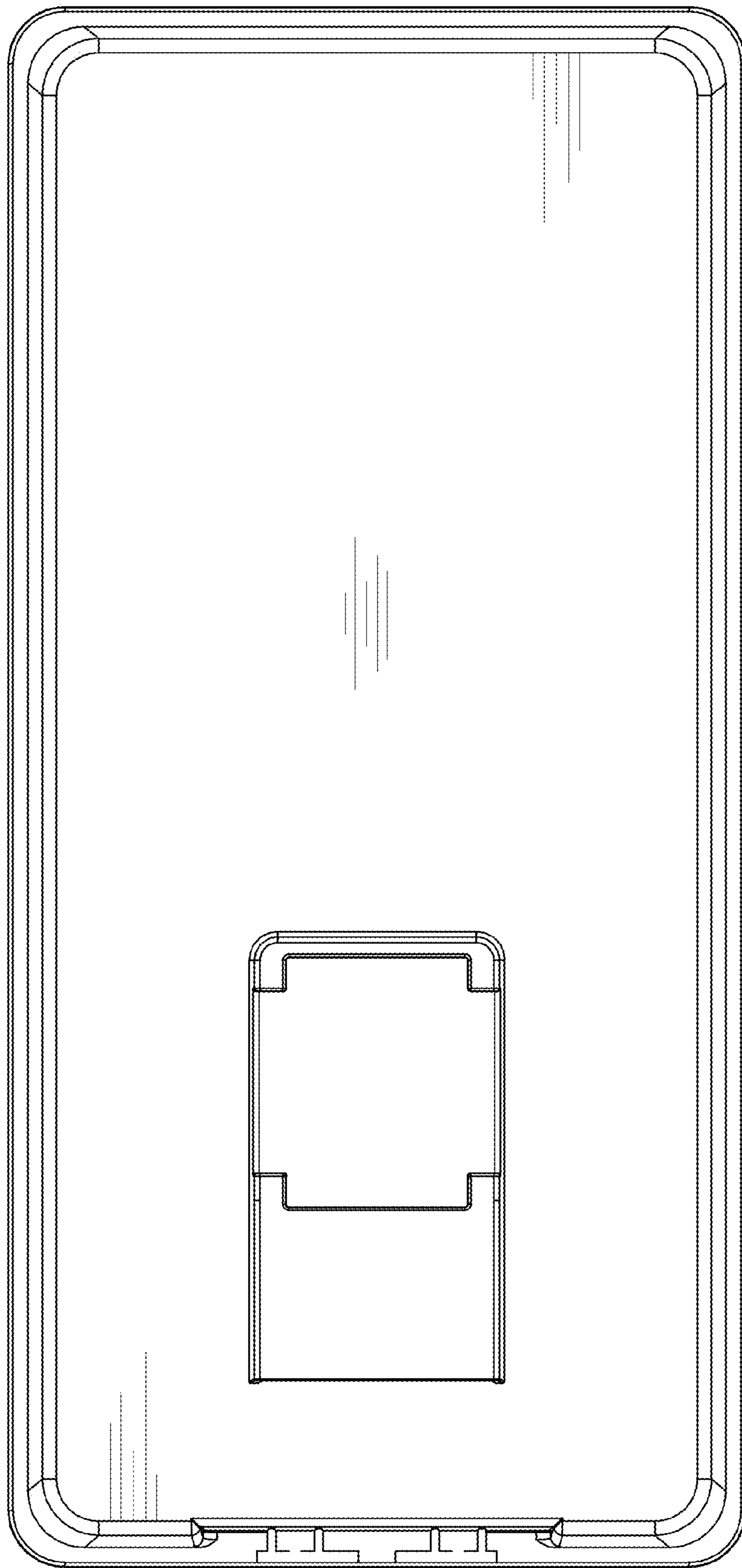


FIG.4

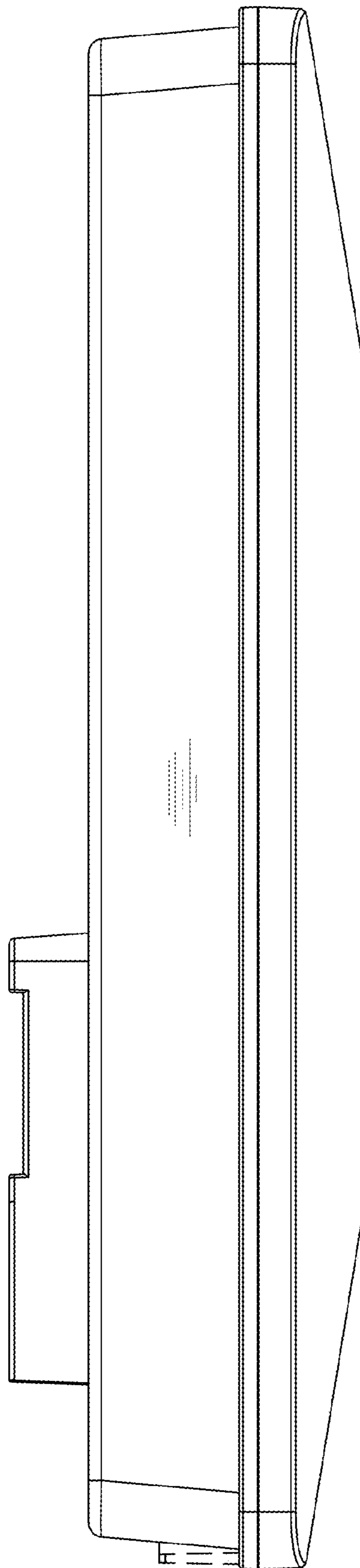


FIG.5

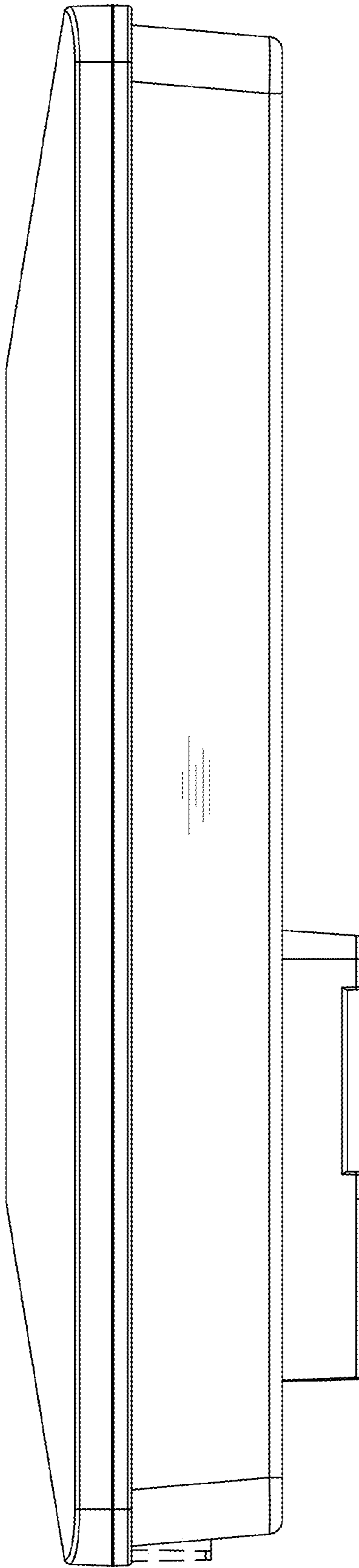


FIG.6

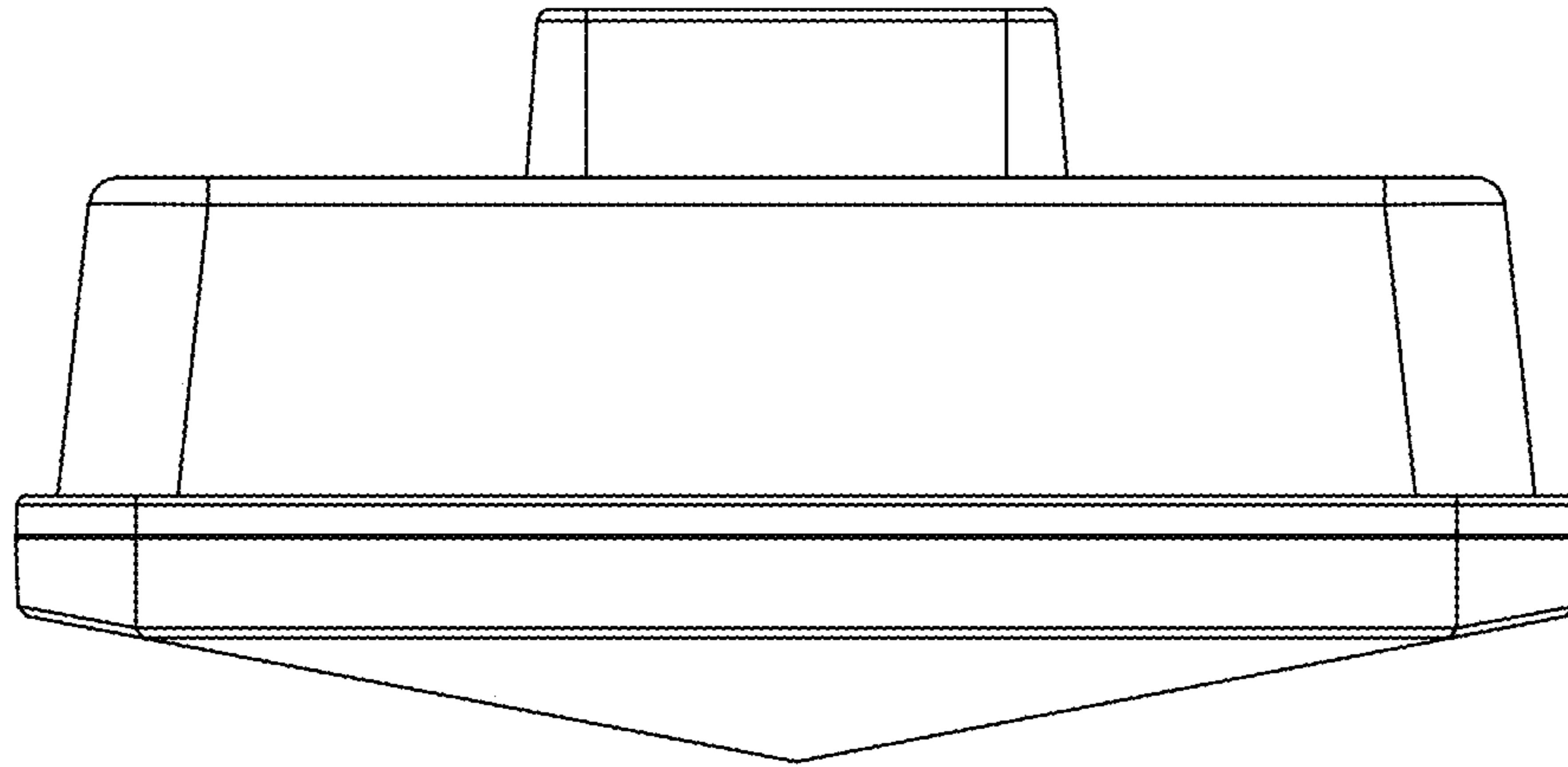


FIG.7

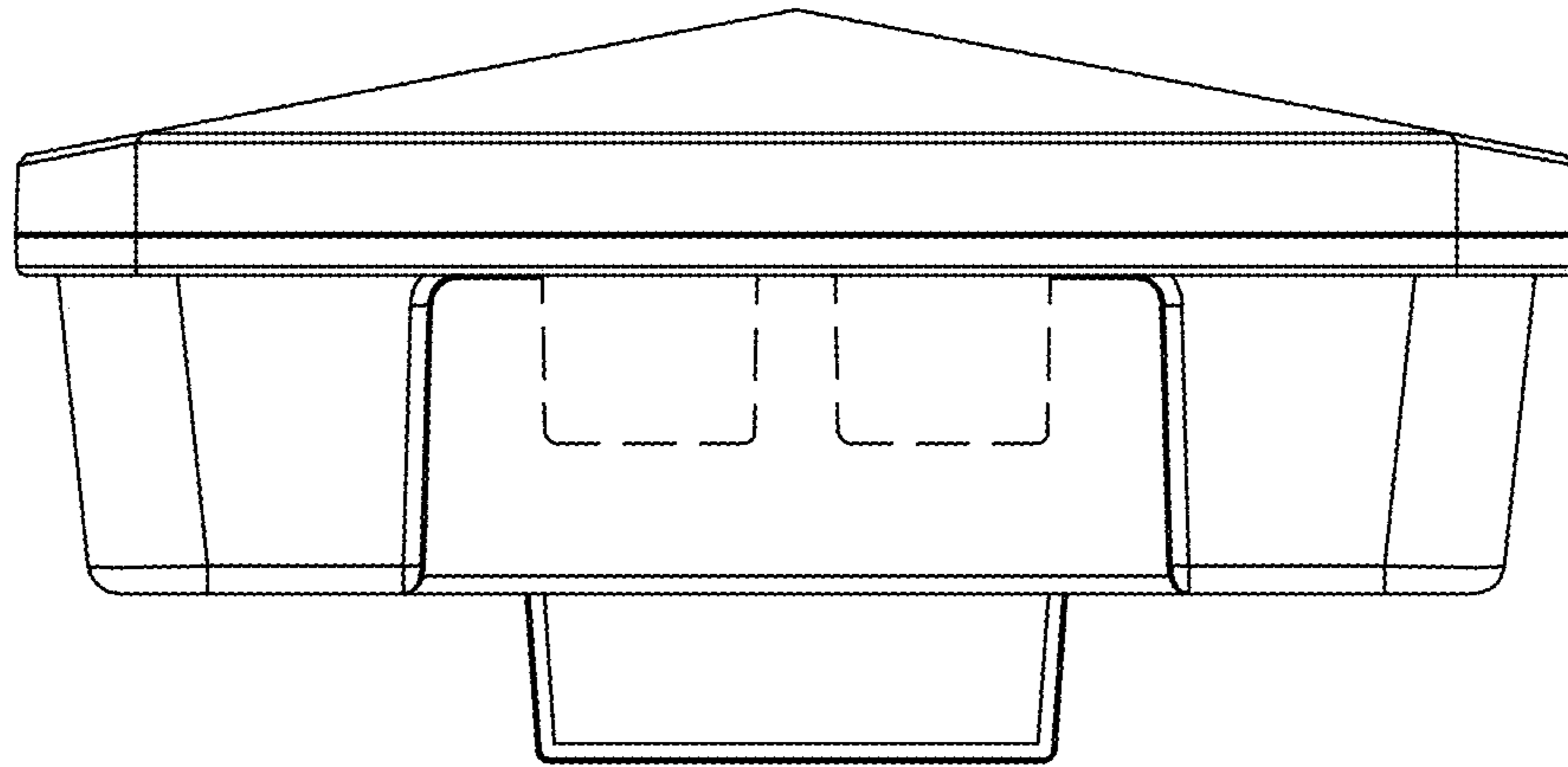


FIG.8