



US00D902188S

(12) **United States Design Patent** (10) **Patent No.:** **US D902,188 S**
Yang (45) **Date of Patent:** **** Nov. 17, 2020**

(54) **ANTENNA**
(71) Applicant: **SHENZHEN ANTOP TECHNOLOGY LIMITED,**
Guangdong (CN)
(72) Inventor: **Ruidian Yang,** Guangdong (CN)
(73) Assignee: **Shenzhen Antop Technology Limited,**
Shenzhen (CN)
(**) Term: **15 Years**
(21) Appl. No.: **29/690,459**
(22) Filed: **May 8, 2019**
(51) **LOC (12) Cl.** **14-03**
(52) **U.S. Cl.**
USPC **D14/230**
(58) **Field of Classification Search**
USPC D14/138, 230-238, 299, 358; D12/42,
D12/43; D19/86, 90, 91, 113
CPC H01Q 7/00; H01Q 13/10; H01Q 9/285;
H01Q 19/30; H01Q 19/12; H01Q 1/38;
H01Q 1/36; H04B 1/0475; H04B 1/034;
H05K 11/00
See application file for complete search history.

(56) **References Cited**
U.S. PATENT DOCUMENTS
D229,832 S * 1/1974 Finkel D14/230
D313,596 S * 1/1991 Tsuboi D14/163
D371,795 S * 7/1996 Mailandt D14/230
D376,367 S * 12/1996 Mailandt D14/230
D427,997 S * 7/2000 Inoue D14/230
D468,302 S * 1/2003 Sato D14/235
D517,535 S * 3/2006 Wu D14/230
D520,990 S * 5/2006 Kowalewicz D14/230
D528,537 S * 9/2006 Wang D14/230
D533,545 S * 12/2006 Inoue D14/230
D548,730 S * 8/2007 Inoue D14/230

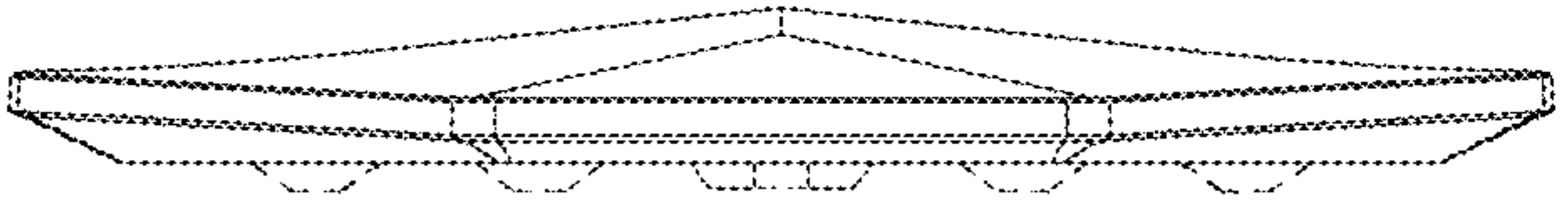
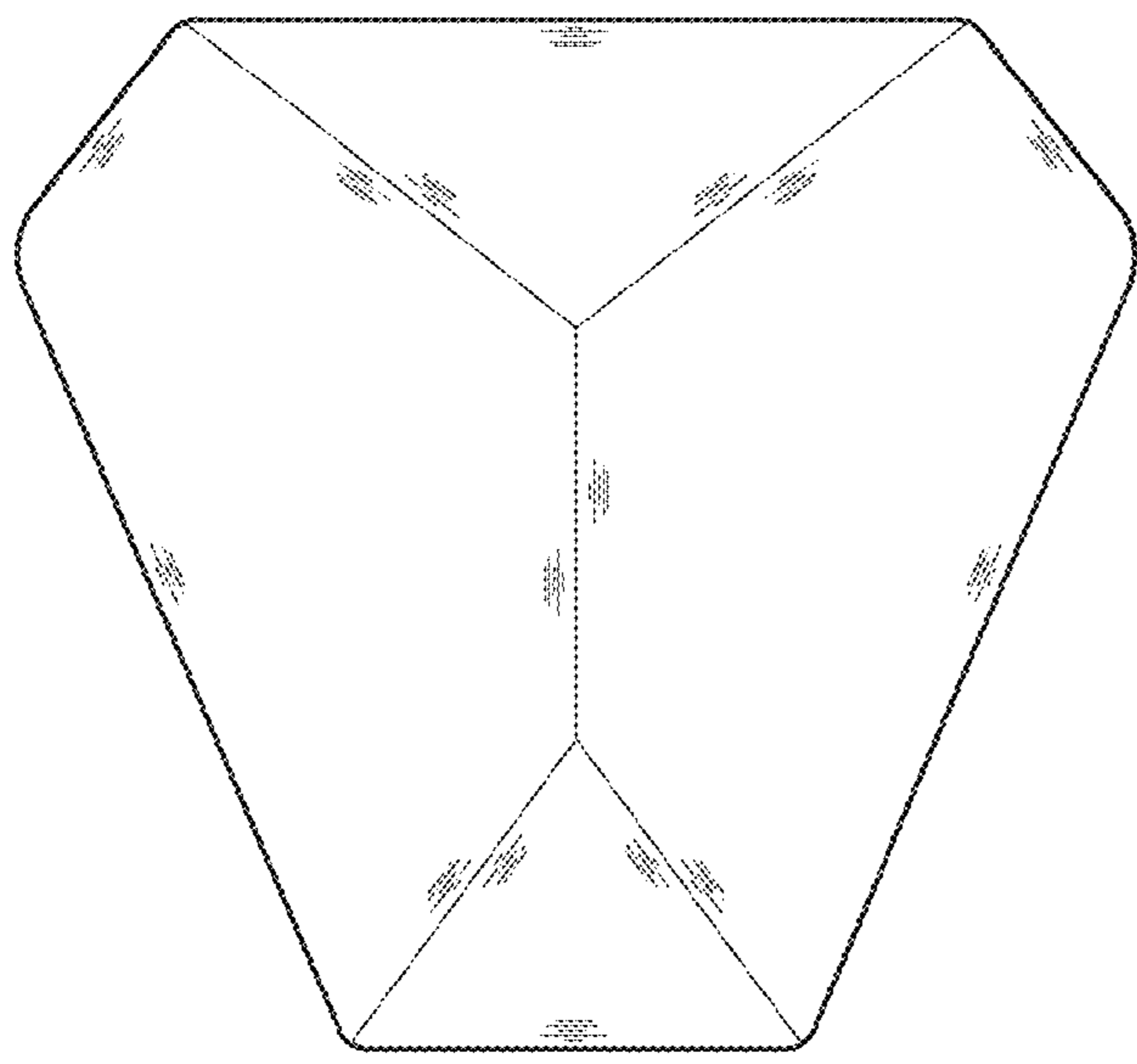
D590,816 S * 4/2009 Chao D14/230
D698,349 S * 1/2014 Sun D14/315
D719,141 S * 12/2014 Chou D14/230
D777,141 S * 1/2017 Lee D14/218
D808,915 S * 1/2018 Wang D14/125
D821,325 S * 6/2018 Duran D13/124
D825,540 S * 8/2018 Wilcox D14/242
D838,703 S * 1/2019 Yang D14/230
D845,935 S * 4/2019 Snyker D14/230
D851,052 S * 6/2019 Wilcox D13/184
D856,327 S * 8/2019 Huang D14/365
D873,251 S * 1/2020 Yang D14/230
D875,723 S * 2/2020 Yang D14/230
D879,774 S * 3/2020 Pennington, Jr. D14/348
2006/0125711 A1 * 6/2006 Wang H01Q 3/08
343/882

* cited by examiner
Primary Examiner — John Windmuller
(74) *Attorney, Agent, or Firm* — Muncy, Geissler, Olds & Lowe, P.C.

(57) **CLAIM**
The ornamental design for an antenna, as shown and described.

DESCRIPTION
FIG. 1 is a front perspective view of an antenna showing my new design;
FIG. 2 is another front perspective view thereof;
FIG. 3 is a rear perspective view thereof;
FIG. 4 is a front elevational view thereof;
FIG. 5 is a rear elevational view thereof;
FIG. 6 is a left side view thereof;
FIG. 7 is a right side view thereof;
FIG. 8 is a top plan view thereof; and,
FIG. 9 is a bottom plan view thereof.
The broken lines are for the purpose of illustrating portions of the antenna which form no part of the claimed design.

1 Claim, 9 Drawing Sheets



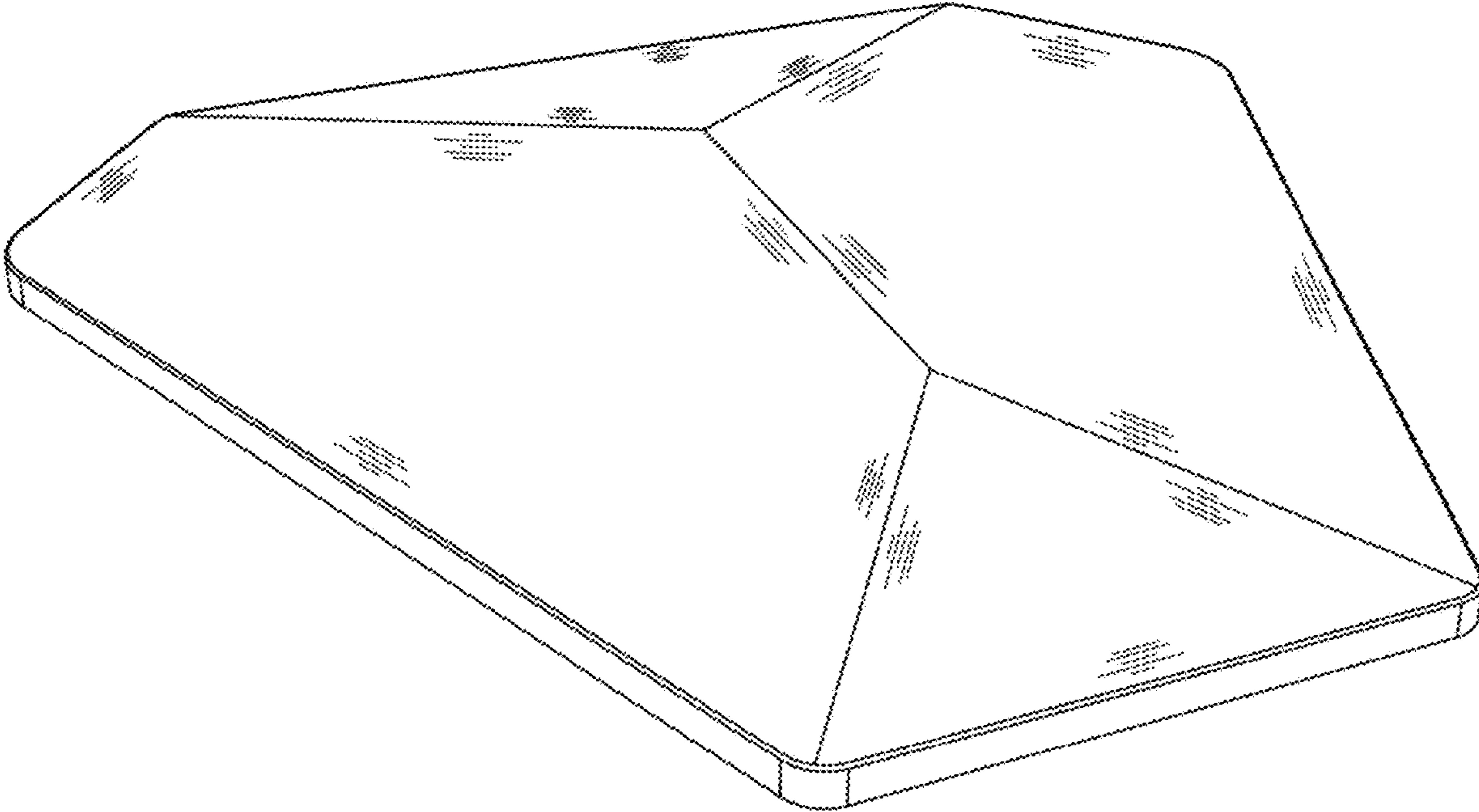


FIG. 1

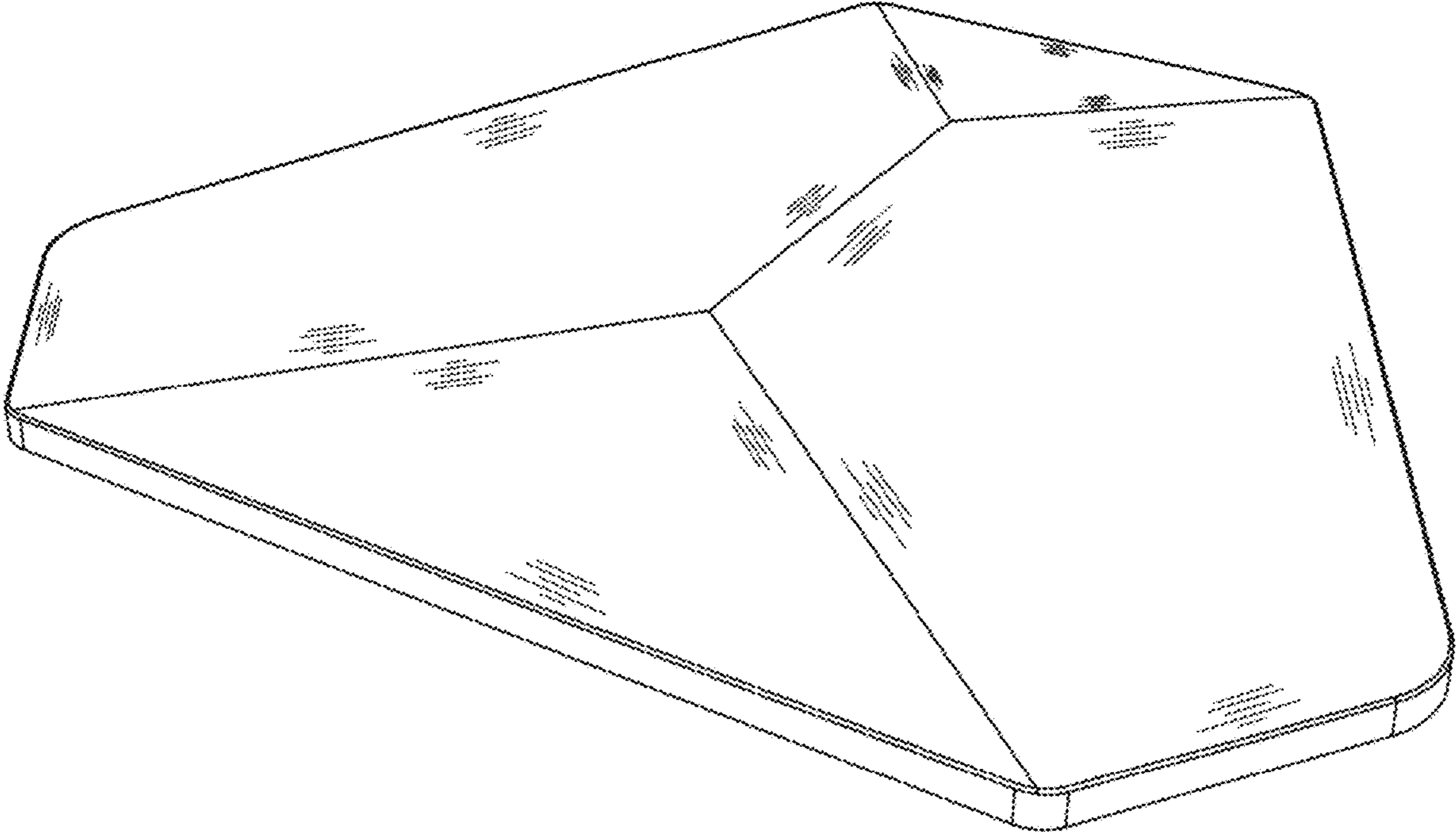


FIG.2

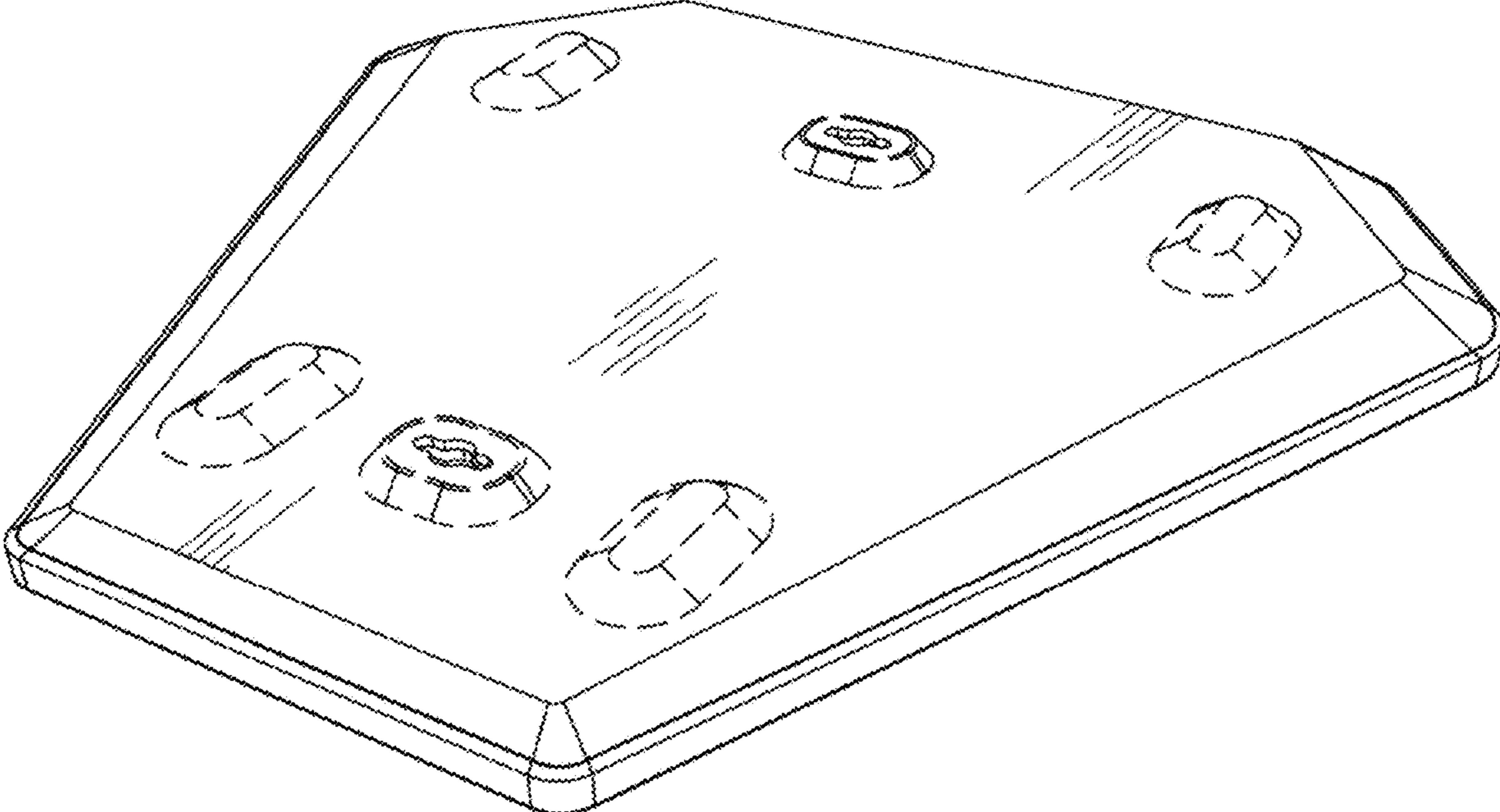


FIG.3

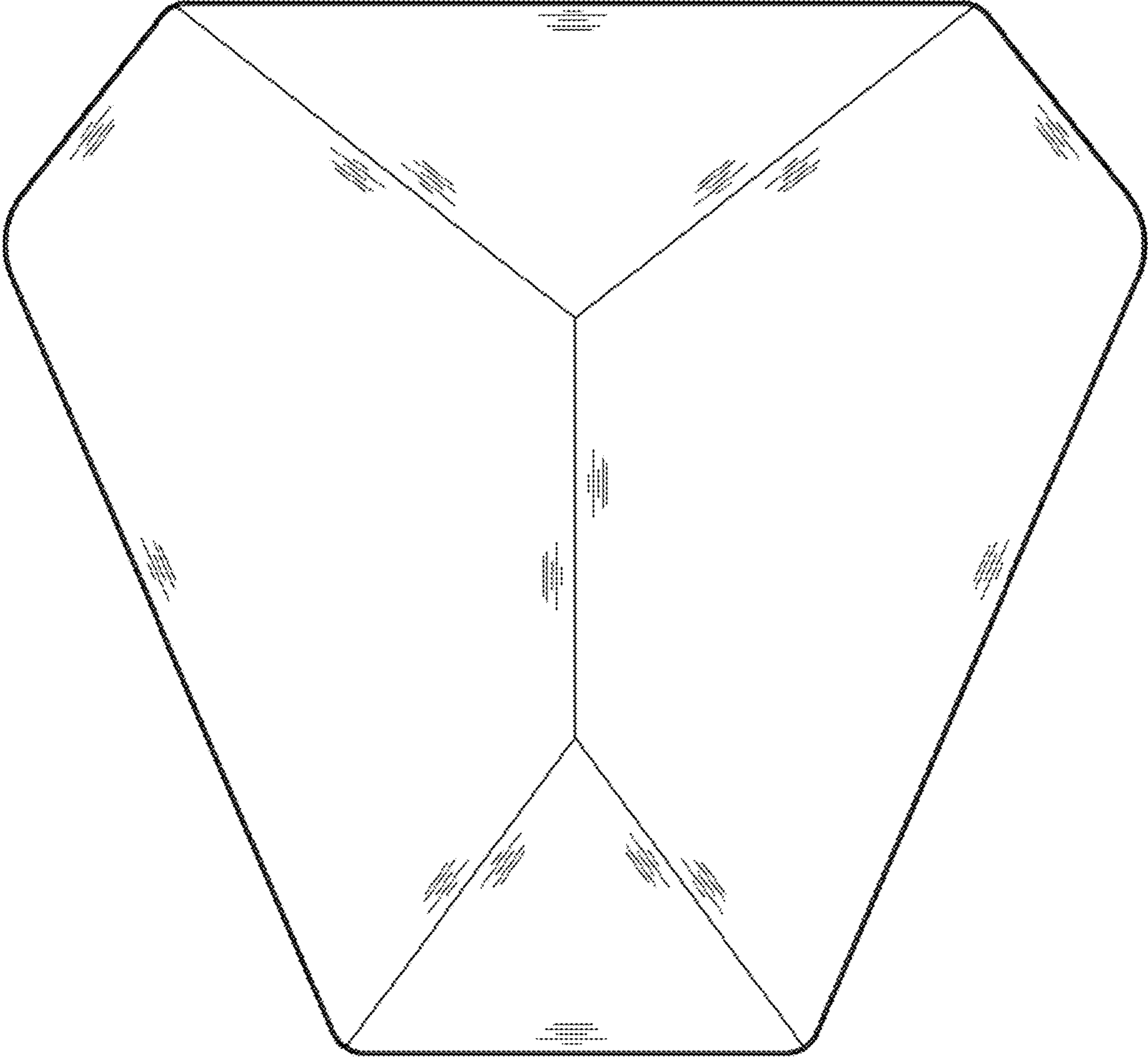


FIG. 4

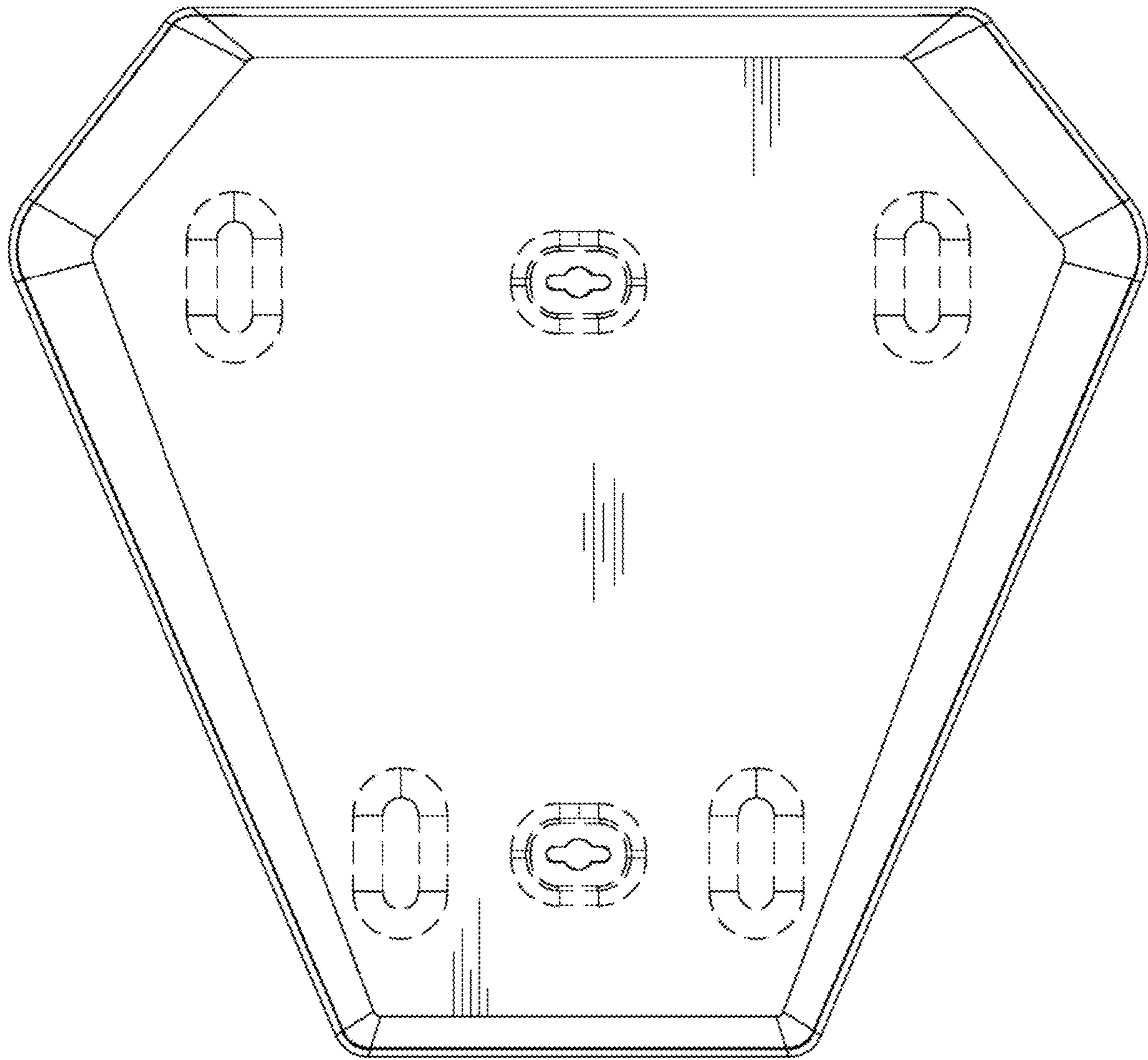


FIG.5

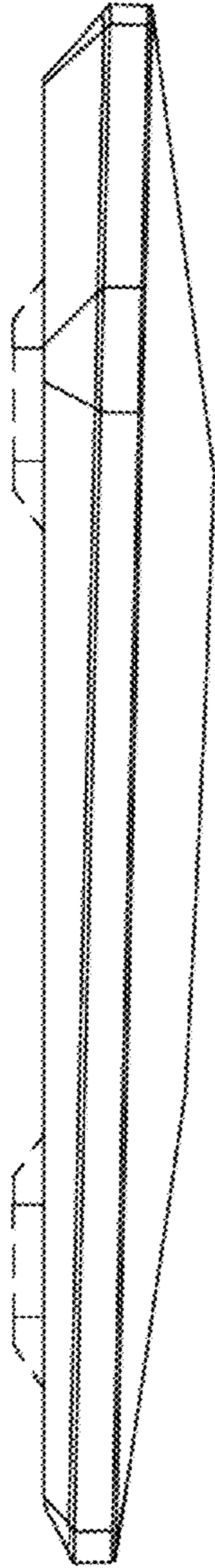


FIG.6

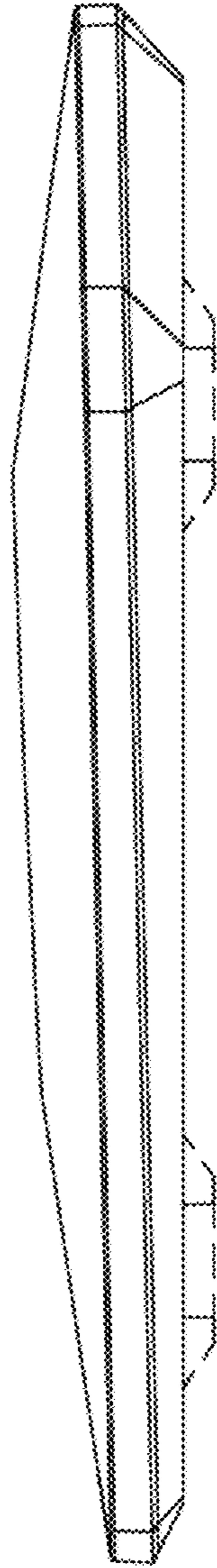


FIG.7

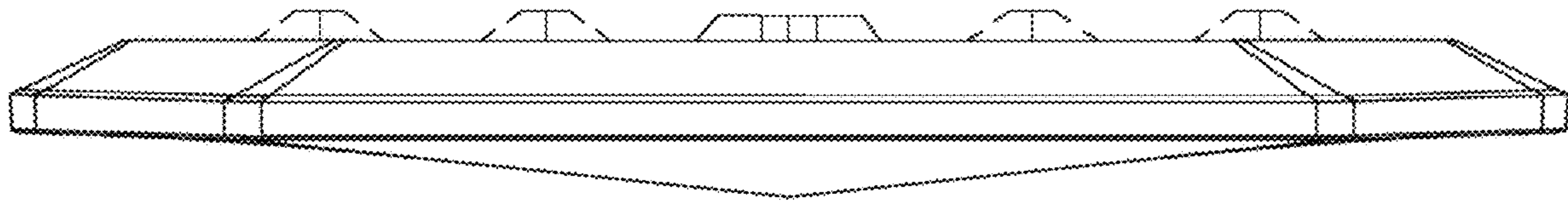


FIG.8

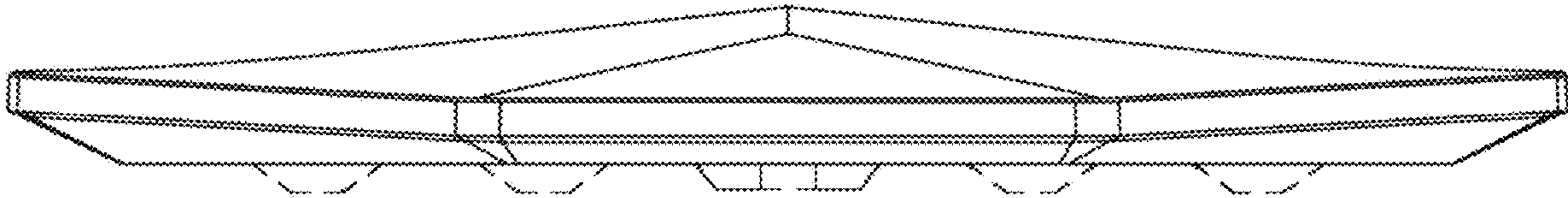


FIG.9