



US00D902183S

(12) **United States Design Patent**
Knudsen

(10) **Patent No.:** **US D902,183 S**

(45) **Date of Patent:** **** Nov. 17, 2020**

(54) **THREE TIERED TIP FOR AN EARPLUG, A HEADPHONE, OR AN EARPHONE**

(71) Applicant: **Innate Devices, LLC**, Springville, UT (US)

(72) Inventor: **Shaun Knudsen**, Mapleton, UT (US)

(73) Assignee: **Innate Devices, LLC**, Springville, UT (US)

(**) Term: **15 Years**

(21) Appl. No.: **29/686,538**

(22) Filed: **Apr. 4, 2019**

(51) **LOC (12) Cl.** **14-01**

(52) **U.S. Cl.**
USPC **D14/223**

(58) **Field of Classification Search**
USPC D14/223, 205; D24/106, 174; 128/864, 128/865, 867; D13/107; D19/198; D3/10, 17; D9/434, 435, 437, 445; D8/402; D6/710; 135/82, 77; 403/343; 292/347; 381/380, 381, 328, 322, 312; 16/42 R, 441

CPC H04R 1/10; H04R 25/00; H04R 1/1016; H04R 5/033; H04R 5/0335; A61F 11/08

See application file for complete search history.

(56) **References Cited**

U.S. PATENT DOCUMENTS

- 1,524,202 A * 1/1925 Nottingham A47L 23/08 401/52
- 1,969,266 A * 8/1934 Herold F16F 1/3713 248/346.11
- 2,199,018 A * 4/1940 Bahr F16H 59/0278 16/441
- 2,237,969 A * 4/1941 Olsen A47L 13/24 15/143.1
- D132,605 S * 6/1942 Achlage D8/312

- 2,314,021 A * 3/1943 Sladky G05G 5/22 74/503
- 2,317,080 A * 4/1943 Phillips F16F 1/44 248/346.11
- 2,675,014 A * 4/1954 Powers A61H 3/0277 135/82
- 2,688,297 A * 9/1954 Livermont B21D 26/033 72/58
- D195,322 S * 5/1963 Hill D24/106
- 3,259,128 A * 7/1966 Leight A61F 11/08 128/865
- 3,455,592 A * 7/1969 Bela E05B 85/08 292/347
- 3,467,117 A * 9/1969 Lucibello A47B 91/12 135/77
- 3,501,187 A * 3/1970 Saksa E05B 85/08 292/1
- 3,556,571 A * 1/1971 Laub, Jr. E05B 13/001 292/1

(Continued)

Primary Examiner — Paula Allen Greene

(74) *Attorney, Agent, or Firm* — Durham Jones & Pinegar, P.C.

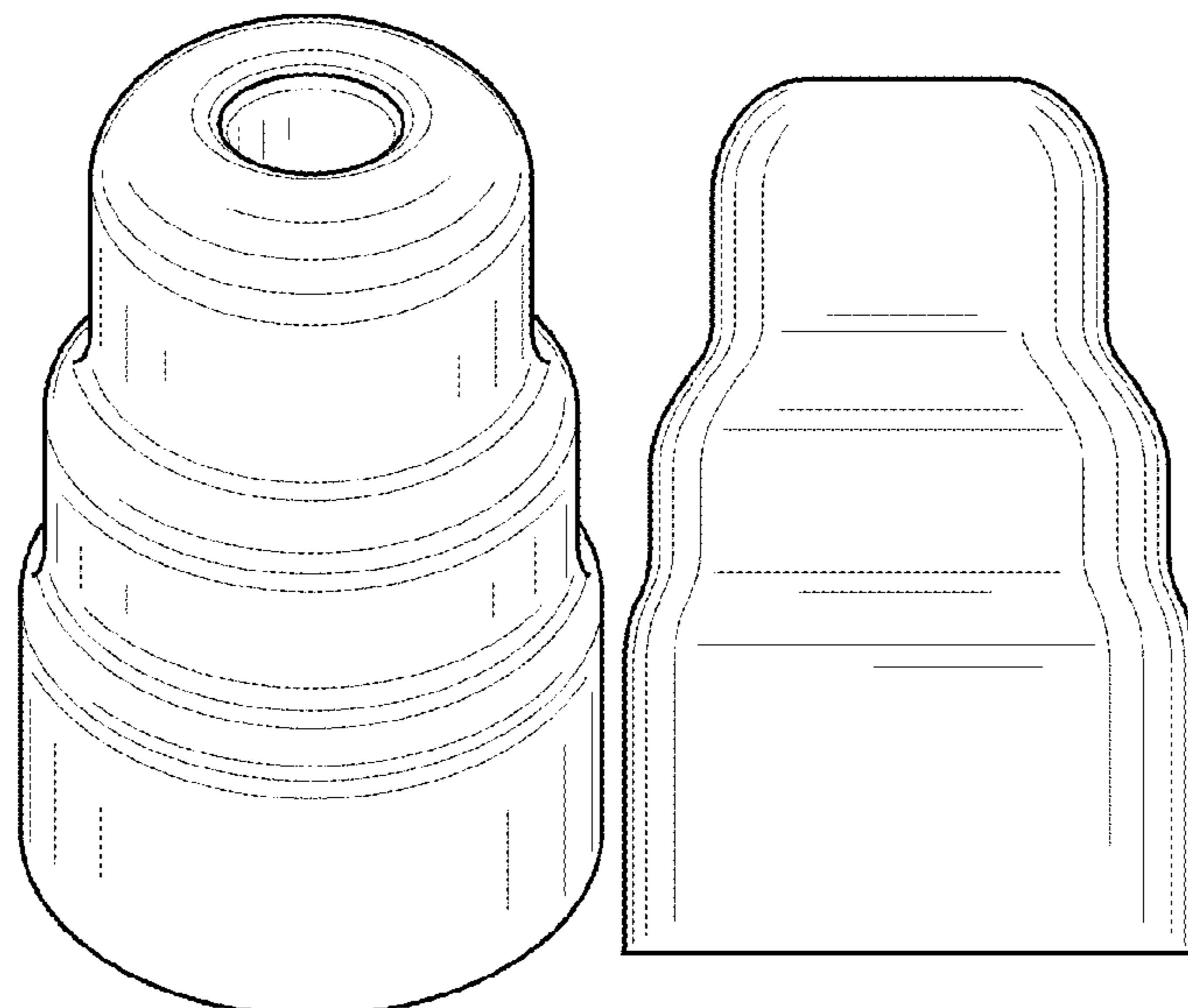
(57) **CLAIM**

The ornamental design for a three tiered tip for an earplug, a headphone or an earphone, as shown and described.

DESCRIPTION

FIG. 1 is a perspective view of a three tiered tip for an earplug, a headphone, or an earphone, showing the design; FIG. 2 is a side view of the three tiered tip for an earplug, a headphone, or an earphone of FIG. 1, wherein the tip is cylindrical and looks the same from each side; FIG. 3 is a top view of the three tiered tip for an earplug, a headphone, or an earphone of FIG. 1; and, FIG. 4 is a bottom view of the three tiered tip for an earplug, a headphone, or an earphone of FIG. 1.

1 Claim, 1 Drawing Sheet



(56)

References Cited

U.S. PATENT DOCUMENTS

3,872,559 A * 3/1975 Leight A61F 11/08
 128/867
 D235,483 S * 6/1975 Leight D24/106
 3,893,205 A * 7/1975 Anderson B23K 20/227
 16/414
 4,094,315 A * 6/1978 Leight A61F 11/08
 128/864
 4,181,339 A * 1/1980 Rigsby E05F 5/10
 16/82
 D298,356 S * 11/1988 Falco D24/106
 4,867,149 A * 9/1989 Falco A61F 11/08
 128/864
 4,936,411 A * 6/1990 Leonard A61F 11/08
 128/864
 5,074,375 A * 12/1991 Grozil A61F 9/029
 128/864
 5,113,967 A * 5/1992 Killion A61F 11/08
 181/132
 D330,761 S * 11/1992 Falco D24/106
 D348,066 S * 6/1994 Lucey D14/205
 D379,922 S * 6/1997 Adams D8/402
 5,680,965 A * 10/1997 Beck B65D 47/243
 222/153.06
 D399,004 S * 9/1998 Johansen D24/193
 D402,661 S * 12/1998 Hayashi D14/223
 5,887,070 A * 3/1999 Iseberg H04R 1/1016
 181/130
 6,068,079 A * 5/2000 Hamery A61F 11/08
 128/864

D427,304 S * 6/2000 Magidson D24/106
 D427,899 S * 7/2000 Bougamont D9/688
 6,148,821 A * 11/2000 Falco A61F 11/08
 128/864
 D435,036 S * 12/2000 Koss D14/223
 D435,645 S * 12/2000 Westerdal D24/106
 D468,301 S * 1/2003 Fushimi D14/223
 D479,995 S * 9/2003 Duceppe D9/434
 D505,411 S * 5/2005 Sakai D14/192
 D514,094 S * 1/2006 Griffin D14/223
 D519,108 S * 4/2006 Yang D14/223
 D522,499 S * 6/2006 Marcichow D14/225
 D531,171 S * 10/2006 Gustafson D14/228
 D535,644 S * 1/2007 Drambarean D14/223
 D537,438 S * 2/2007 Hermansen D14/223
 D538,793 S * 3/2007 Ma D14/225
 D568,291 S * 5/2008 Andre D14/205
 D574,368 S * 8/2008 Chapman D14/223
 D579,006 S * 10/2008 Kim D14/223
 D591,732 S * 5/2009 Burton D14/205
 D595,268 S * 6/2009 Kolton D14/205
 D595,570 S * 7/2009 Moretti D9/434
 D611,929 S * 3/2010 Blanchard D14/205
 D628,993 S * 12/2010 Steyn D14/225
 D656,922 S * 4/2012 Massaro D14/223
 8,234,751 B2 * 8/2012 Bushey A47B 91/06
 16/42 R
 D672,649 S * 12/2012 Cummings D9/445
 D691,273 S * 10/2013 Doraiswamy D24/157
 D777,710 S * 1/2017 Palmborg D14/223
 D872,062 S * 1/2020 Cui D14/223

* cited by examiner

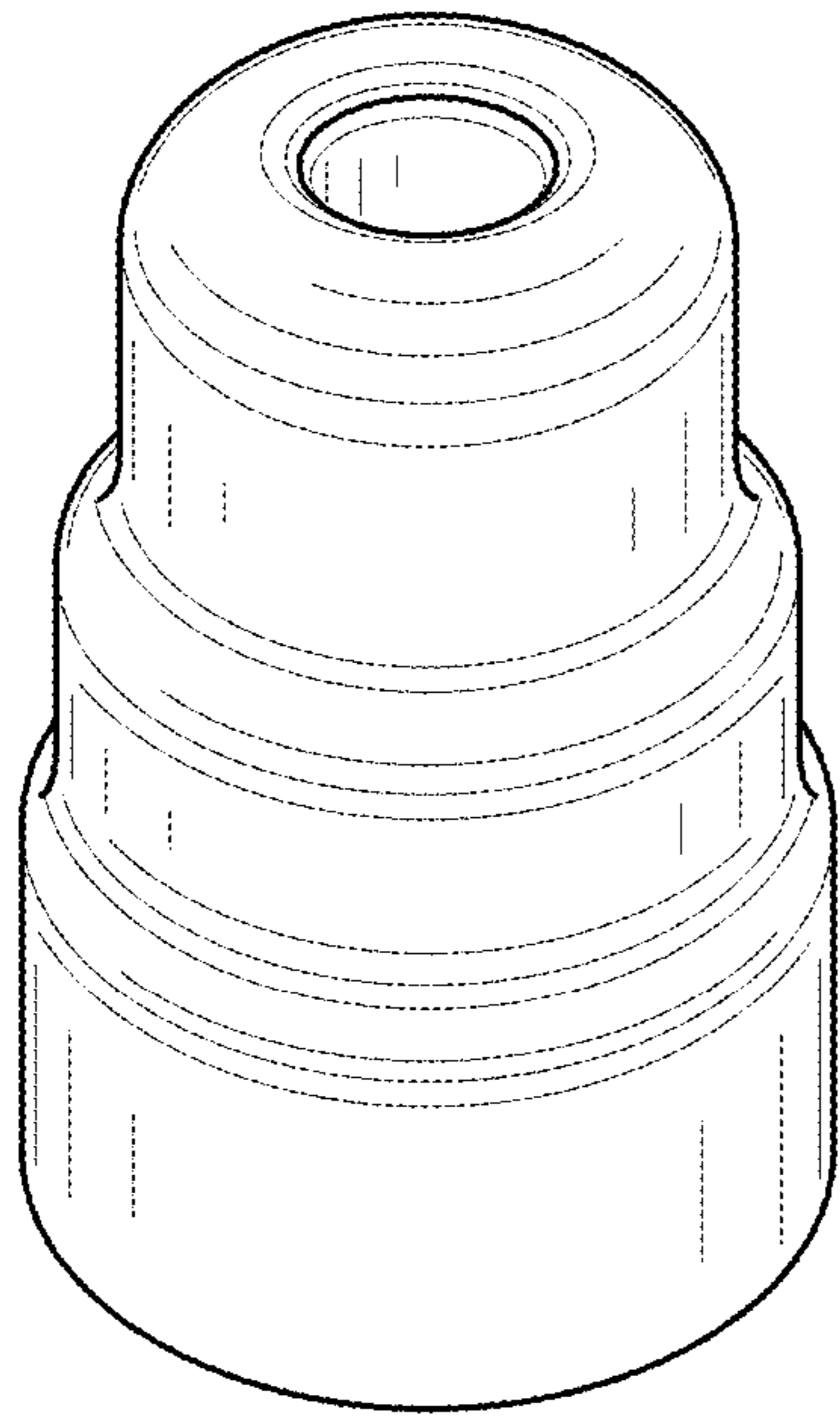


FIG. 1

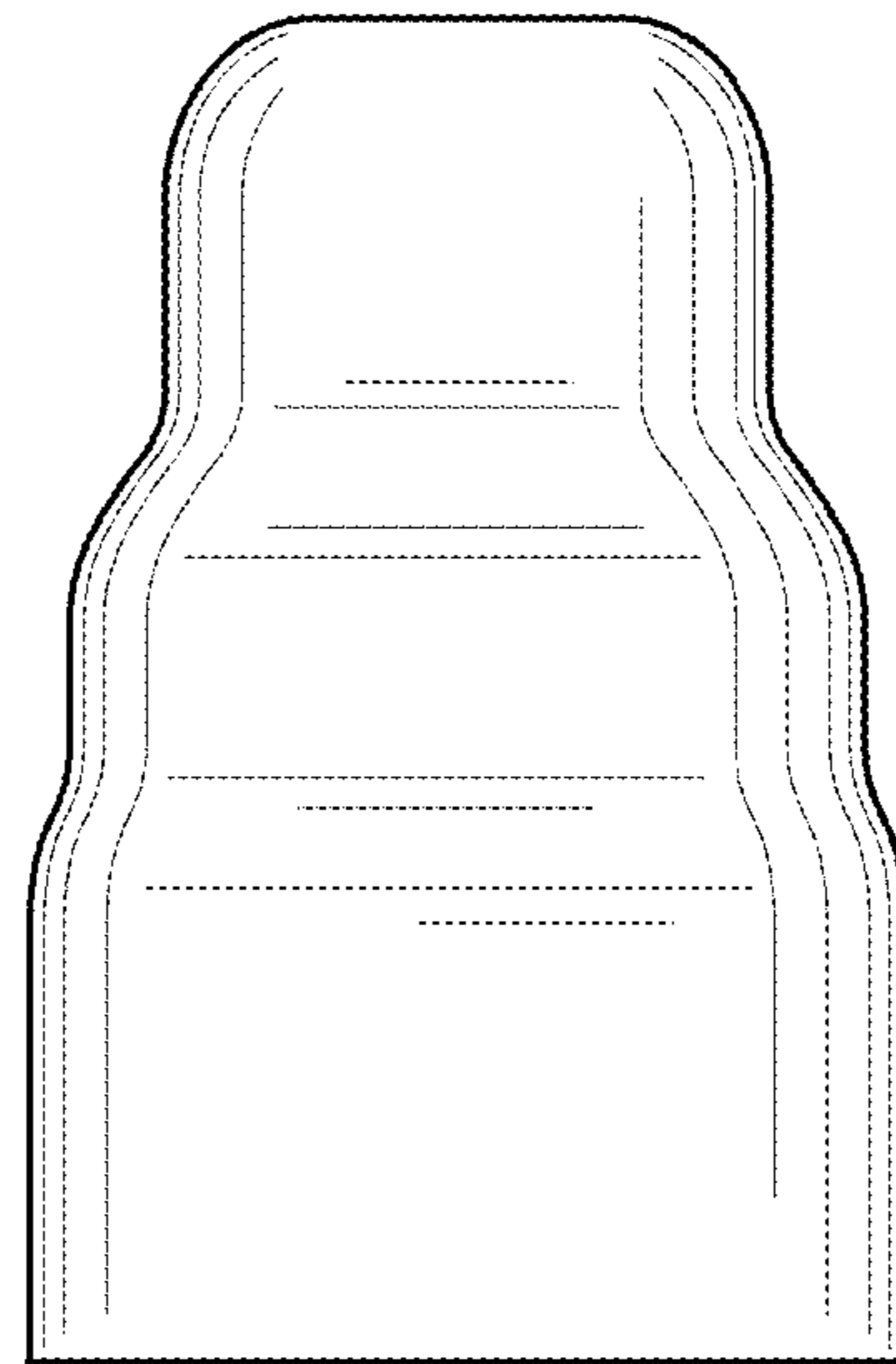


FIG. 2

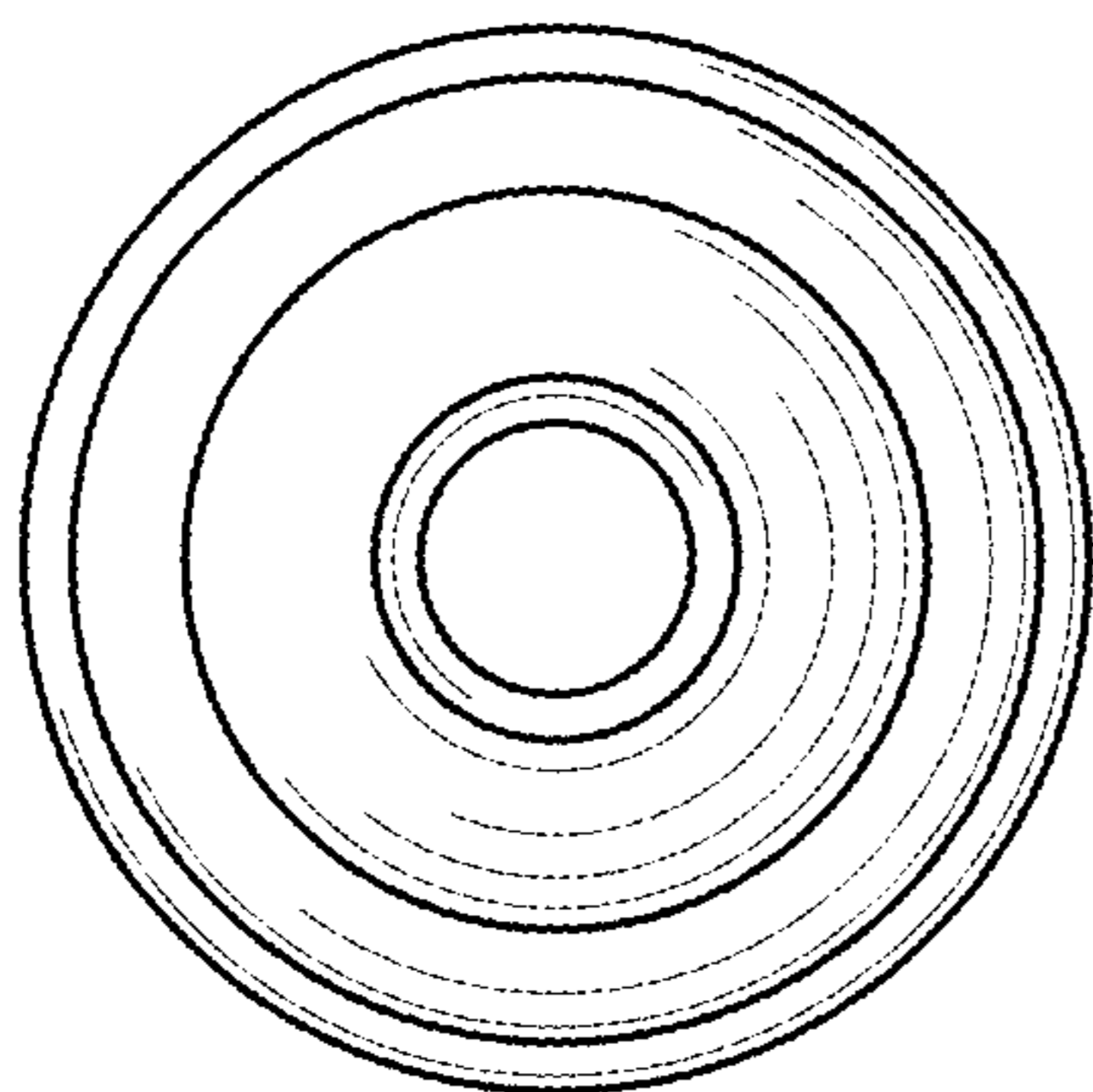


FIG. 3

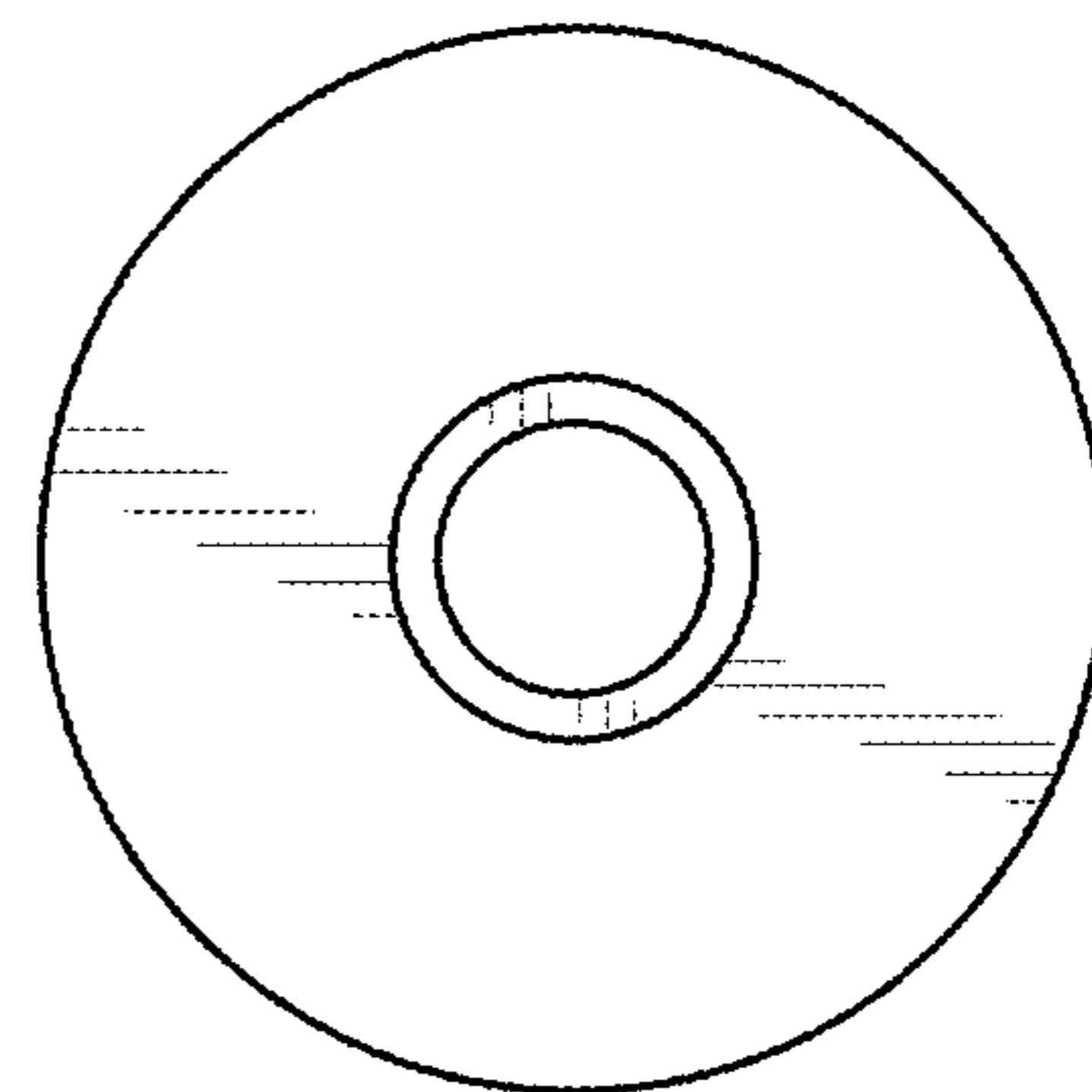


FIG. 4