



US00D902182S

(12) **United States Design Patent**  
**Wang**

(10) **Patent No.:** **US D902,182 S**

(45) **Date of Patent:** **\*\* Nov. 17, 2020**

(54) **PAIR OF HEADSETS FOR TELEPHONES**

(71) Applicant: **SHENZHEN AUKEY SMART INFORMATION TECHNOLOGY CO., LTD.**, Shenzhen (CN)

(72) Inventor: **Yang Wang**, Shenzhen (CN)

(\*\*) Term: **15 Years**

(21) Appl. No.: **29/681,787**

(22) Filed: **Feb. 28, 2019**

(30) **Foreign Application Priority Data**

Aug. 29, 2018 (CN) ..... 2018 3 0483422

(51) **LOC (12) Cl.** ..... **14-01**

(52) **U.S. Cl.**  
USPC ..... **D14/223**

(58) **Field of Classification Search**  
USPC ..... D14/223, 205; D24/174; D13/107, 108;  
455/90.3, 575.1, 569.1  
CPC ..... H04R 1/10; H04R 25/00; H04R 1/1016;  
H04R 1/1066; H04R 5/033; H04R  
5/00335; H04R 1/1091; H04R 1/1083;  
A61F 11/08

See application file for complete search history.

(56) **References Cited**

**U.S. PATENT DOCUMENTS**

D505,411 S *	5/2005	Sakai	.....	D14/192
D532,520 S *	11/2006	Kampmeier	.....	D24/174
D550,657 S *	9/2007	Gan	.....	D14/223
D559,837 S *	1/2008	Nakano	.....	D14/223
D568,290 S *	5/2008	Wikel	.....	D14/205
D579,006 S *	10/2008	Kim	.....	D14/223
D603,380 S *	11/2009	Hutchieson	.....	D14/223
D641,010 S *	7/2011	Kwon	.....	D14/223
D654,056 S *	2/2012	Hoggarth	.....	D14/205
D666,581 S *	9/2012	Perez	.....	D14/223
D669,226 S *	10/2012	Byron	.....	D29/105

D697,058 S *	1/2014	Thompson	.....	D14/205
D698,026 S *	1/2014	Kuwata	.....	D24/174
D700,905 S *	3/2014	Pavitsich	.....	D14/223
D705,757 S *	5/2014	Yashiro	.....	H04R 1/10 D14/223
D711,356 S *	8/2014	Yang	.....	D14/223
D719,139 S *	12/2014	Henry	.....	D14/223
D725,082 S *	3/2015	Palmborg	.....	D14/223
8,983,108 B2 *	3/2015	Ho	.....	H04R 1/1016 181/135
D728,107 S *	4/2015	Torres Martin	.....	D24/174
D733,102 S *	6/2015	Palmborg	.....	D14/223
D733,103 S *	6/2015	Jeong	.....	D14/224
9,055,369 B2 *	6/2015	Yang	.....	H04R 1/10
D735,169 S *	7/2015	Shieh	.....	D14/223

(Continued)

**FOREIGN PATENT DOCUMENTS**

CN	305332015	*	9/2019
EM	006792735-0001	*	8/2019

(Continued)

*Primary Examiner* — Paula Allen Greene

(57) **CLAIM**

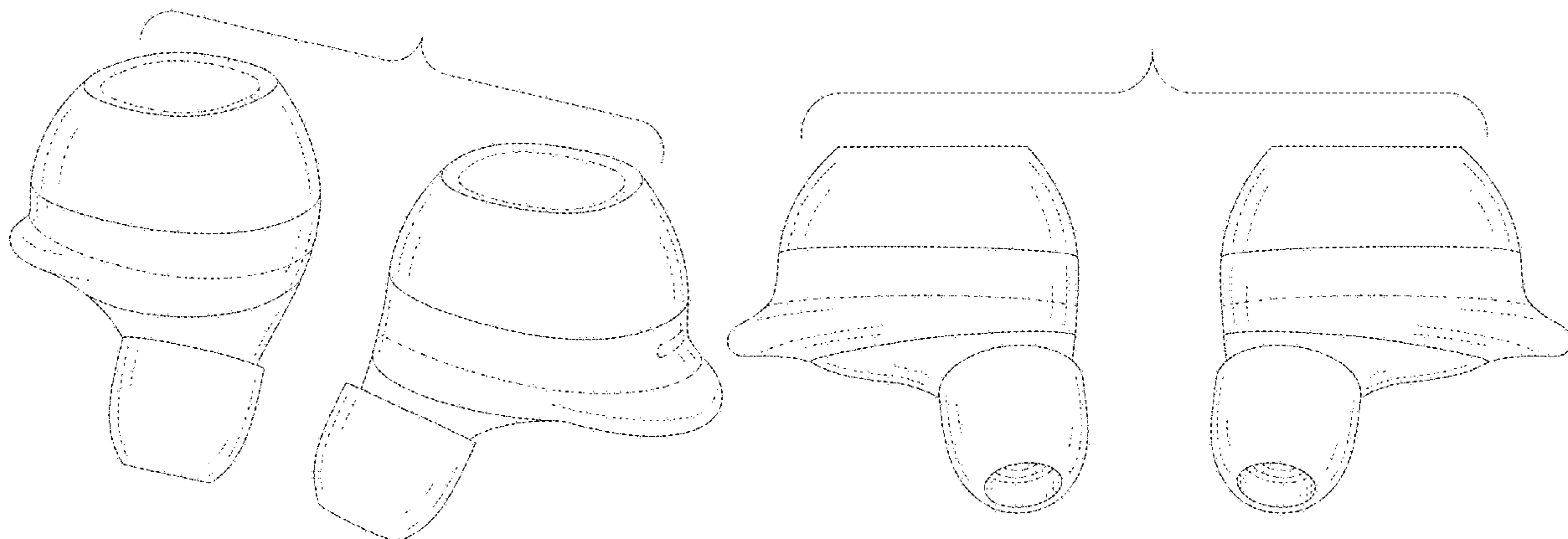
The ornamental design for a pair of headsets for telephones, as shown and described.

**DESCRIPTION**

FIG. 1 is a perspective view of a pair of headsets for telephones showing my design;  
FIG. 2 is a front view thereof;  
FIG. 3 is a back view thereof;  
FIG. 4 is a left side view thereof;  
FIG. 5 is a right side view thereof;  
FIG. 6 is a top view thereof; and,  
FIG. 7 is a bottom view thereof.

In the drawing the claimed design is defined by the shaded surfaces. The broken lines depict environment that forms no part of the claimed design.

**1 Claim, 7 Drawing Sheets**



(56)

References Cited

U.S. PATENT DOCUMENTS

D746,792 S \* 1/2016 Kim ..... D14/205  
 D764,445 S \* 8/2016 Czaniecki ..... D14/223  
 D777,710 S \* 1/2017 Palmborg ..... D14/223  
 D781,269 S \* 3/2017 Choe ..... D14/223  
 D782,997 S \* 4/2017 Shin ..... D14/205  
 D782,998 S \* 4/2017 Shin ..... D14/205  
 D788,079 S \* 5/2017 Son ..... D14/223  
 D795,225 S \* 8/2017 Sumii ..... D14/223  
 D800,097 S \* 10/2017 Chen ..... D14/223  
 D806,879 S \* 1/2018 Horbinski ..... D24/174  
 D812,042 S \* 3/2018 Xiao ..... D14/223  
 D813,205 S \* 3/2018 Palmborg ..... D14/223  
 D813,848 S \* 3/2018 Palmborg ..... D14/223  
 D814,443 S \* 4/2018 Sandanger ..... A61F 11/08  
 D817,309 S \* 5/2018 Czaniecki ..... D14/223  
 D836,614 S \* 12/2018 Kirkpatrick ..... D14/223  
 D841,626 S \* 2/2019 Tang ..... D14/223  
 D841,627 S \* 2/2019 Wen ..... D14/223  
 D843,354 S \* 3/2019 Kumano ..... D14/223  
 D845,932 S \* 4/2019 Lu ..... D14/223  
 D852,782 S \* 7/2019 Bergman ..... D14/223  
 D863,263 S \* 10/2019 Yu ..... D14/223  
 D864,167 S \* 10/2019 Wu ..... D14/223

D868,752 S \* 12/2019 Zhu ..... D14/223  
 D871,376 S \* 12/2019 Zhou ..... D14/223  
 D872,064 S \* 1/2020 Cai ..... D14/223  
 D873,248 S \* 1/2020 Weicheng ..... D14/223  
 D873,805 S \* 1/2020 Yang ..... D14/223  
 D879,074 S \* 3/2020 Komiya ..... D14/223  
 D880,457 S \* 4/2020 Zhu ..... D14/223  
 2011/0155147 A1\* 6/2011 McIntosh ..... H04R 25/656  
 128/864  
 2012/0087532 A1\* 4/2012 Yang ..... H04R 1/26  
 381/380  
 2012/0114160 A1\* 5/2012 Lin ..... H04R 1/1091  
 381/380  
 2013/0259286 A1\* 10/2013 Chung ..... H04R 1/1016  
 381/380  
 2014/0064548 A1\* 3/2014 Chu ..... H04R 1/1091  
 381/380  
 2016/0072558 A1\* 3/2016 Hirsch ..... H04B 5/0081  
 455/41.1  
 2018/0035193 A1\* 2/2018 Tsubone ..... H04R 1/10

FOREIGN PATENT DOCUMENTS

JP D1647329 \* 11/2019  
 JP D1649999 \* 12/2019  
 WO D206023-003 \* 4/2019

\* cited by examiner

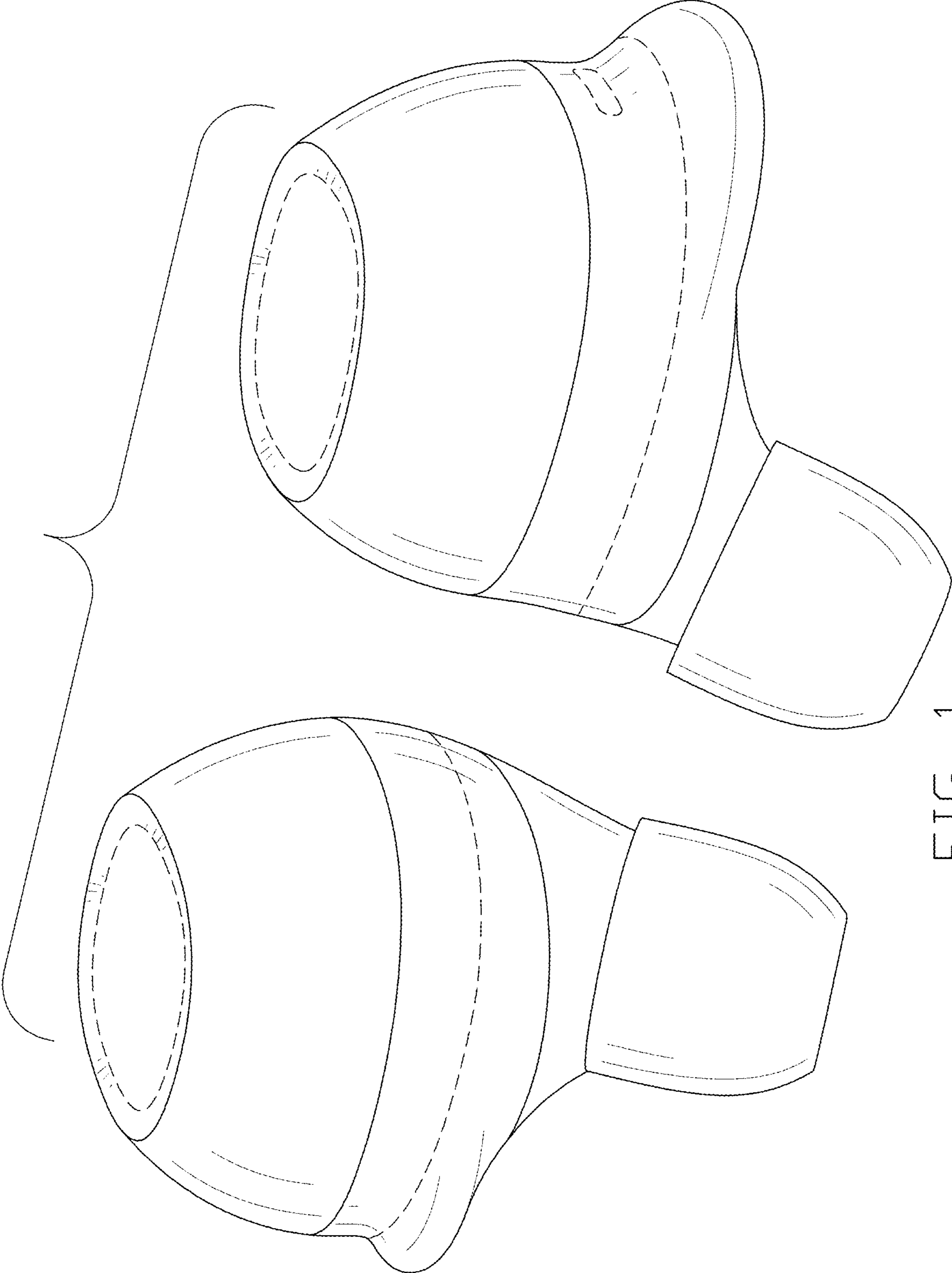


FIG. 1

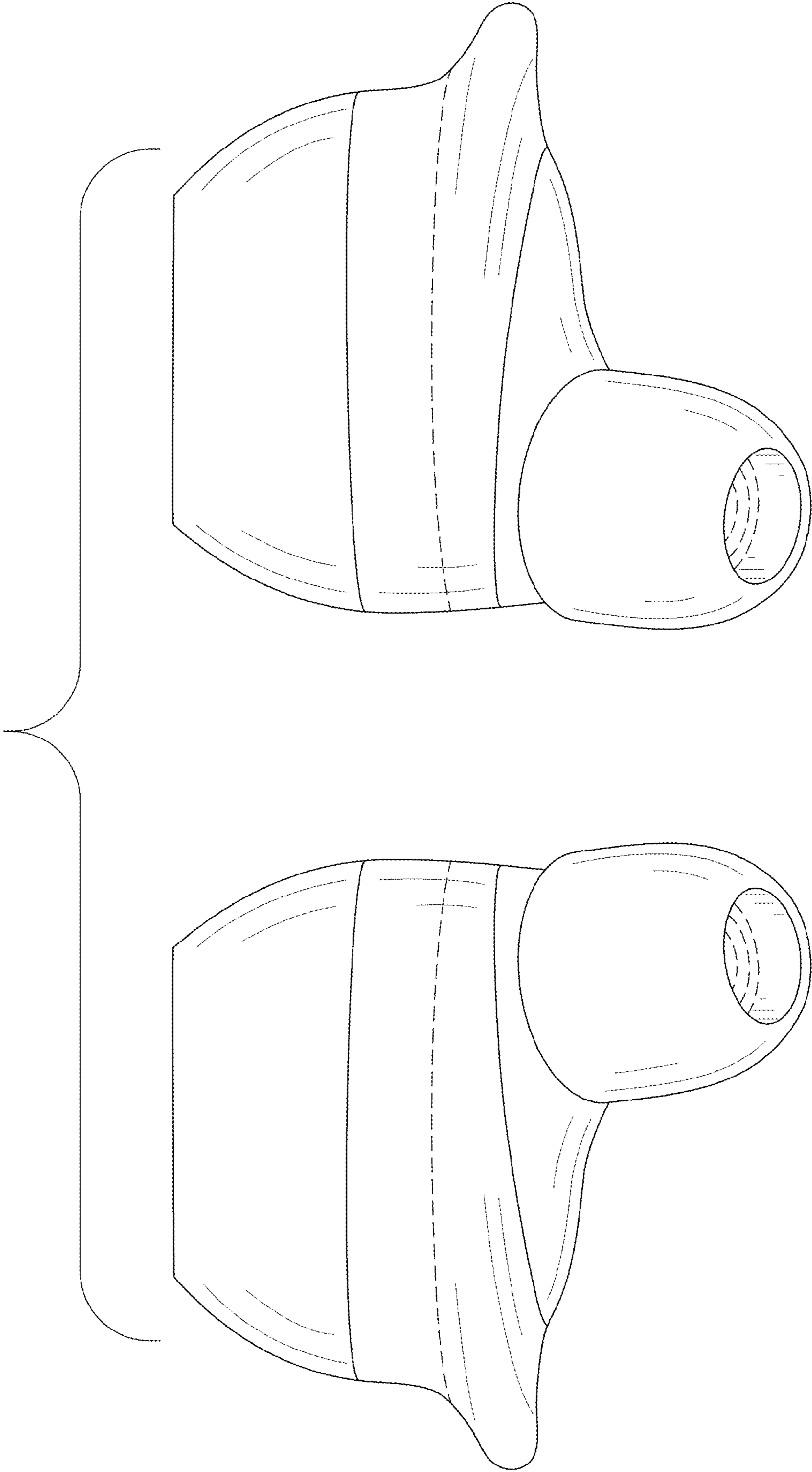


FIG. 2

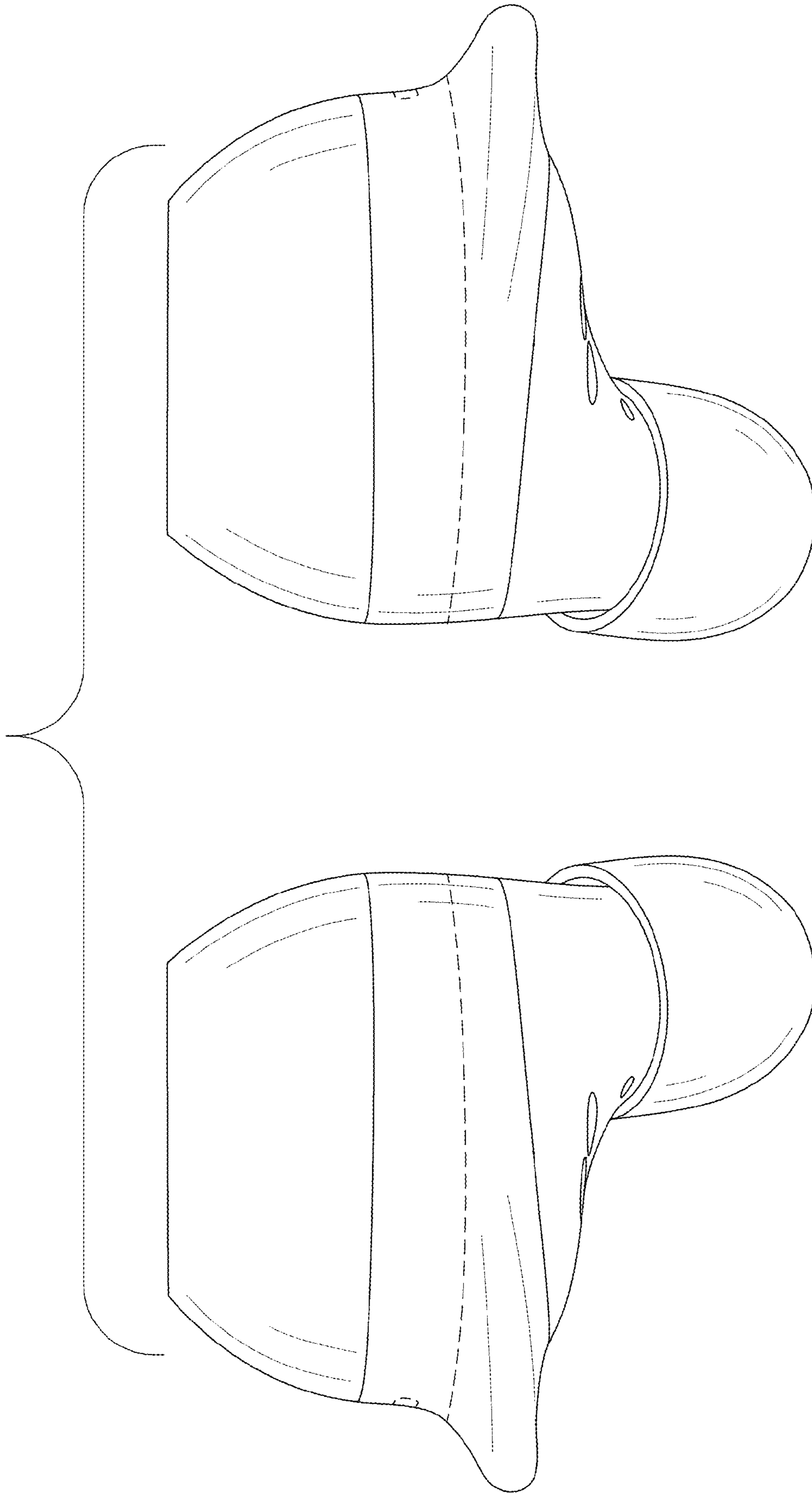


FIG. 3

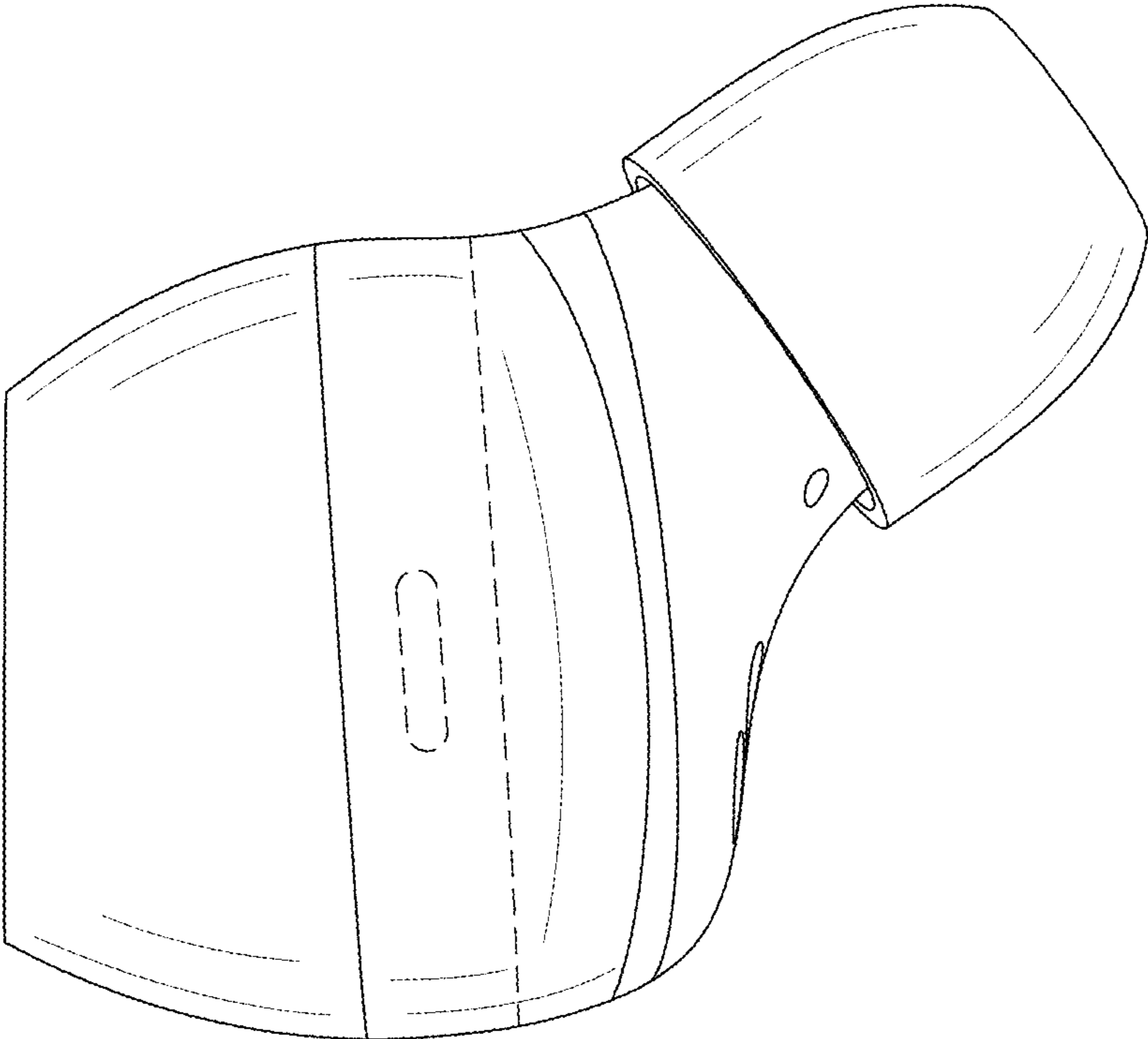


FIG. 4

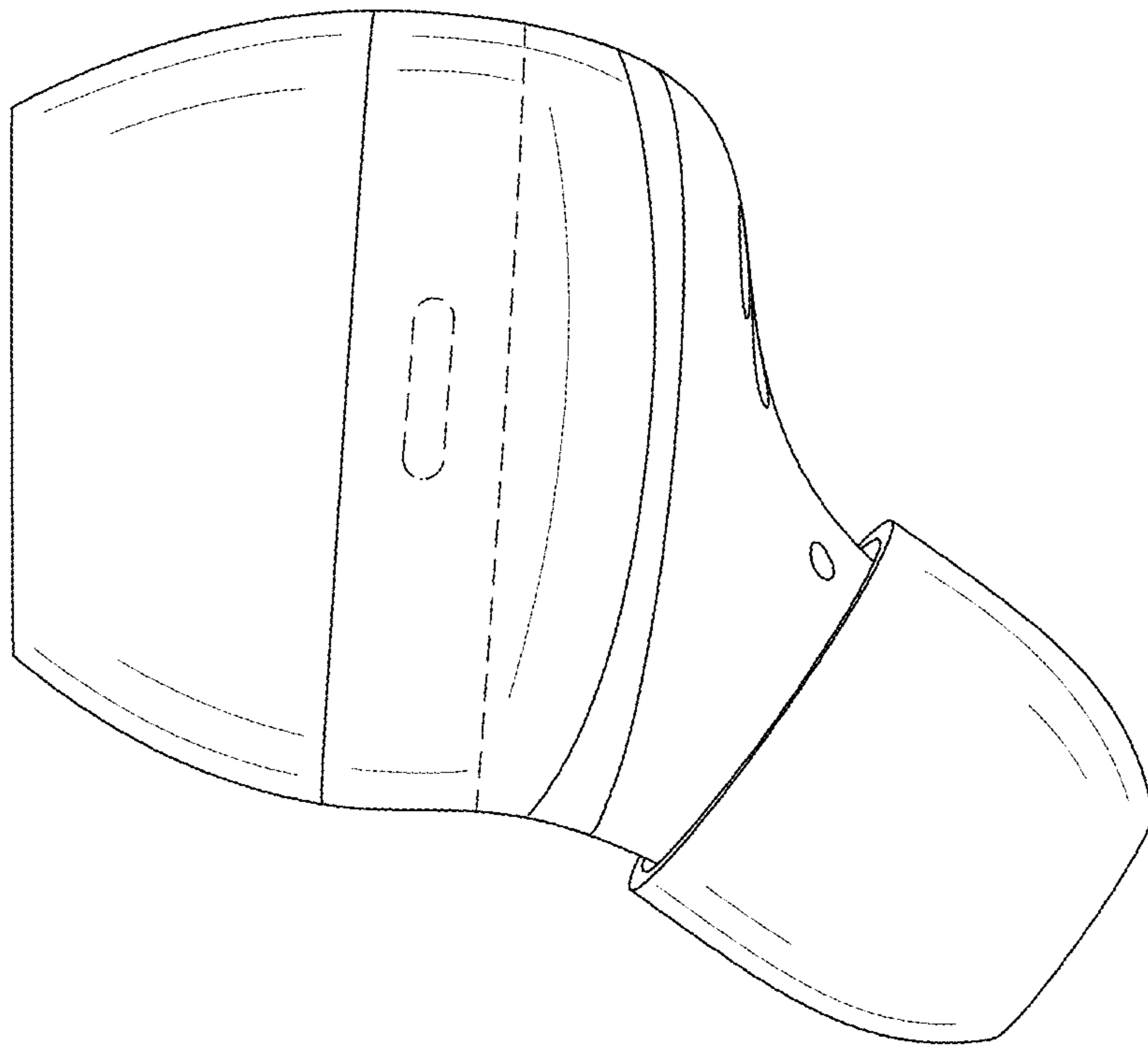


FIG. 5

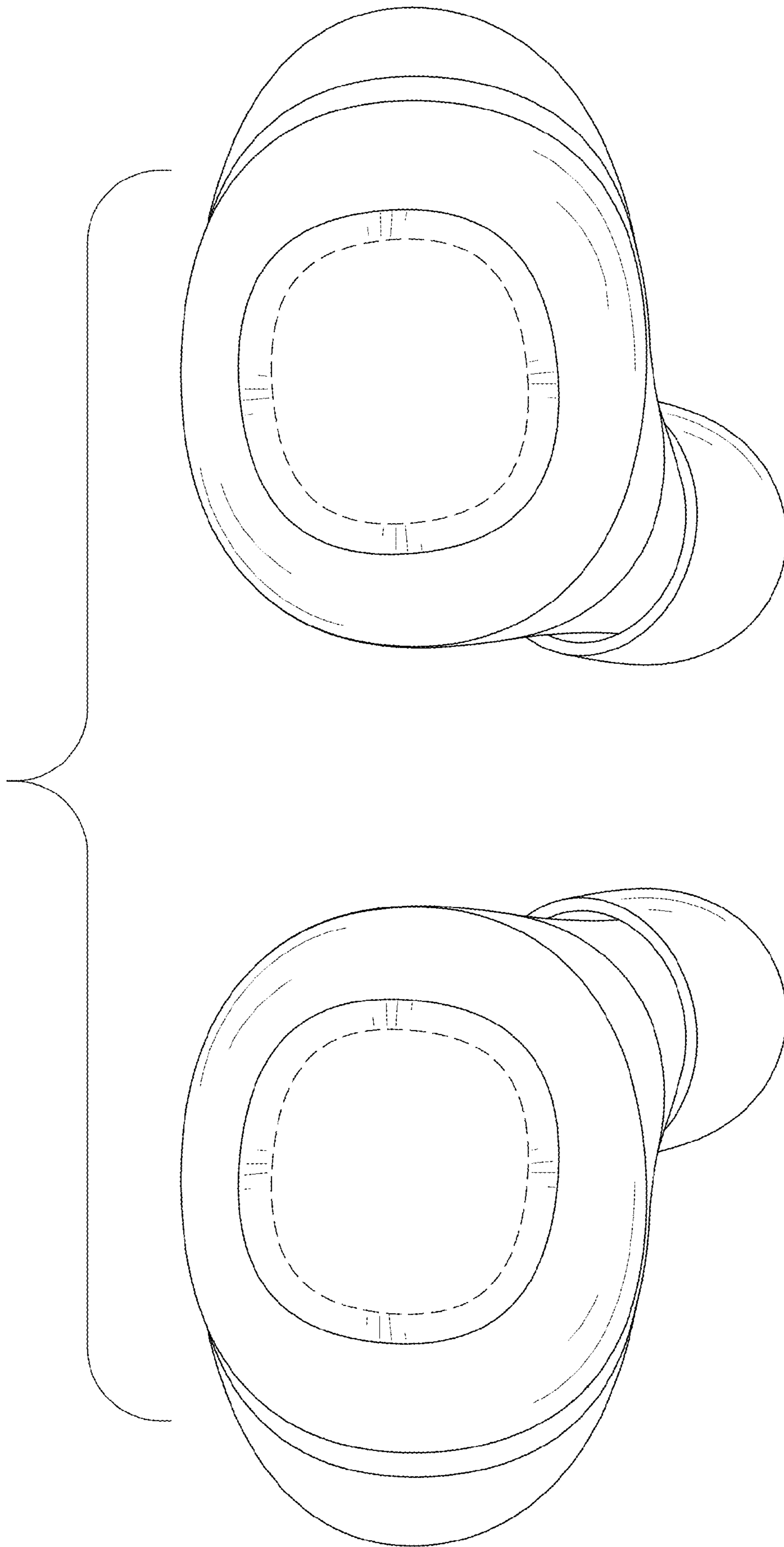


FIG. 6



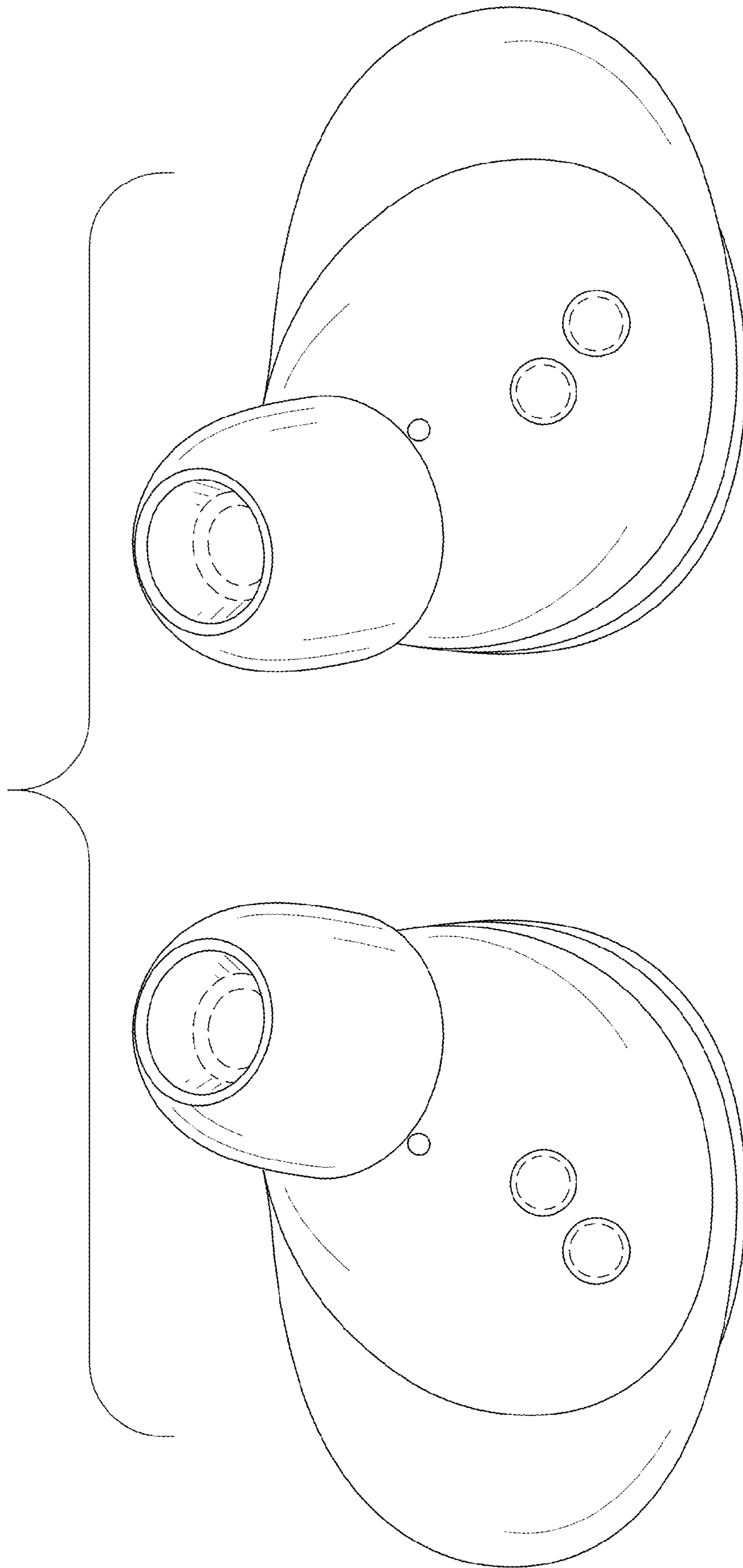


FIG. 7