



US00D902176S

(12) **United States Design Patent**
Huang

(10) **Patent No.:** **US D902,176 S**

(45) **Date of Patent:** **** Nov. 17, 2020**

(54) **CAT EARPHONE**

(71) Applicant: **Yue Huang**, Shenzhen (CN)

(72) Inventor: **Yue Huang**, Shenzhen (CN)

(**) Term: **15 Years**

(21) Appl. No.: **29/689,438**

(22) Filed: **Apr. 30, 2019**

(51) **LOC (12) Cl.** **14-01**

(52) **U.S. Cl.**

USPC **D14/205**; D14/207

(58) **Field of Classification Search**

USPC D14/205, 207, 188, 192; D21/617, 428,
D21/416, 429, 620, 633, 659; D2/831,
D2/878, 741, 746, 869, 872, 895;
D11/184; 428/16; D29/112; 2/209

CPC H04R 1/1066; H04R 1/1016; H04R 5/033;
H04R 5/0335; H04R 25/00; H04R 25/02;
H04R 1/02

See application file for complete search history.

(56) **References Cited**

U.S. PATENT DOCUMENTS

- 2,947,091 A * 8/1960 McCrary A63H 3/24
434/247
- D189,142 S * 11/1960 Heckman D8/311
- 3,119,904 A * 1/1964 Anson H04M 1/05
381/378
- D282,692 S * 2/1986 Chiang D11/159
- 5,429,393 A * 7/1995 Parlo A01K 11/00
283/75
- 5,640,458 A * 6/1997 Nishiguchi G11C 7/16
381/2
- 5,793,878 A * 8/1998 Chang H04R 5/0335
381/370
- D404,891 S * 2/1999 Clegg D2/869
- D431,550 S * 10/2000 Yoneda D14/205
- D440,742 S * 4/2001 Mitchell D2/869

- D472,944 S * 4/2003 Jacobs D21/576
 - 7,123,737 B2 * 10/2006 Ham H04R 1/105
381/381
 - 7,388,960 B2 * 6/2008 Kuo H04R 1/1041
379/430
 - D573,581 S * 7/2008 Gondo D14/205
 - 7,834,865 B2 * 11/2010 Jannasch G05G 5/03
345/184
 - 7,877,909 B1 * 2/2011 Hagen A01K 11/00
40/300
 - D658,156 S * 4/2012 Olodort D14/205
- (Continued)

FOREIGN PATENT DOCUMENTS

- CN 305250132 * 7/2019
- CN 305504132 * 12/2019

(Continued)

Primary Examiner — Paula Allen Greene

(57) **CLAIM**

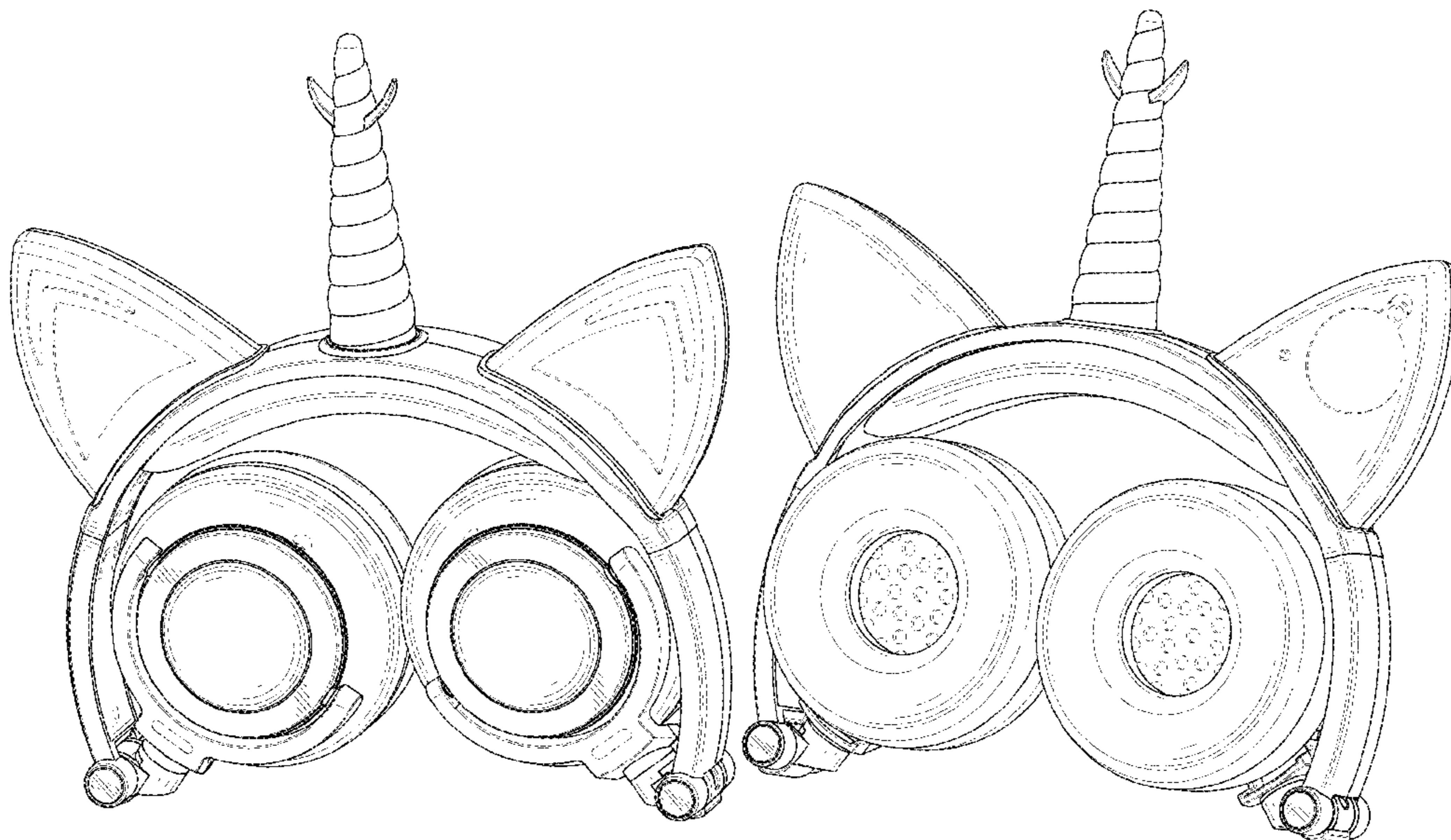
The ornamental design for a cat earphone, as shown and described.

DESCRIPTION

FIG. 1 is a first perspective view of a cat earphone showing my design;
 FIG. 2 is a second perspective view thereof;
 FIG. 3 is a third perspective view thereof;
 FIG. 4 is a front view thereof;
 FIG. 5 is a back view thereof;
 FIG. 6 is a left side view thereof;
 FIG. 7 is a right side view thereof;
 FIG. 8 is a top view thereof; and,
 FIG. 9 is a bottom view thereof.

The broken lines shown in the drawing depict portions of the cat earphone in which the design is embodied; the broken lines are for illustrative purposes only and form no part of the claimed design.

1 Claim, 9 Drawing Sheets



(56)

References Cited

U.S. PATENT DOCUMENTS

8,502,965	B2 *	8/2013	Kuo	G03B 43/00
				356/124
8,733,204	B2 *	5/2014	Voss	A47J 37/0786
				74/553
D757,679	S *	5/2016	Yan	D14/205
D795,837	S *	8/2017	Cai	D14/205
D800,691	S *	10/2017	Ando	D14/205
D801,948	S *	11/2017	Picunco	D14/205
D808,358	S *	1/2018	Dennis	D14/205
D813,195	S *	3/2018	Huang	D14/205
10,021,487	B2 *	7/2018	Yan	H04R 5/0335
D847,778	S *	5/2019	Hardi	D14/205
D851,624	S *	6/2019	Huang	D14/205
D863,253	S *	10/2019	He	D14/205
D868,026	S *	11/2019	Hardi	D14/205
D869,433	S *	12/2019	Huan	D14/205
D872,048	S *	1/2020	Dennis	D14/205
D881,520	S *	4/2020	Buonocore	D2/831
D884,669	S *	5/2020	Zhong	D14/205
D889,431	S *	7/2020	Huang	D14/205
D890,124	S *	7/2020	ShiXing	D14/205

FOREIGN PATENT DOCUMENTS

EM	005503570-0001	*	7/2018
EM	006562138-0001	*	6/2019

* cited by examiner

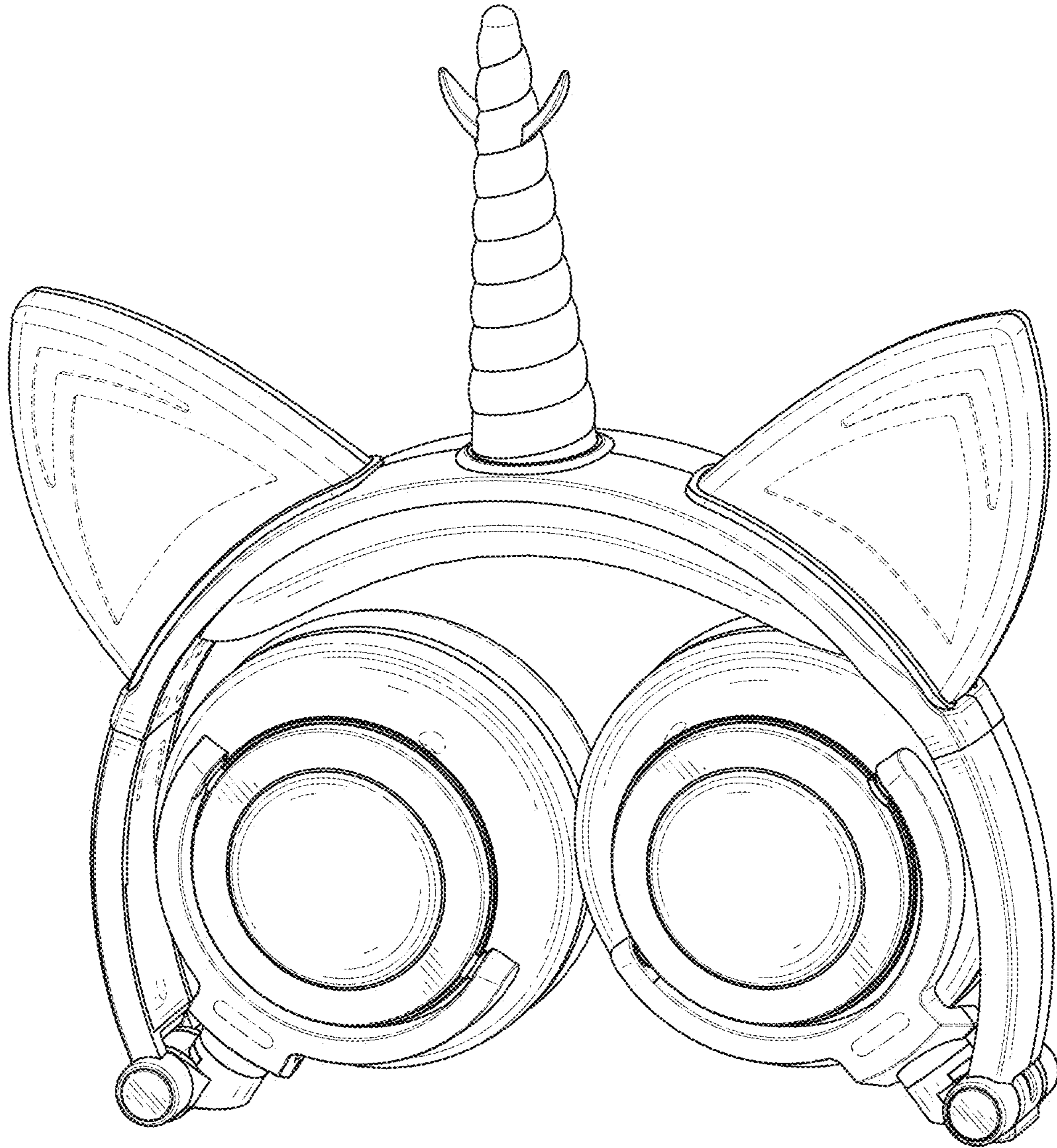


FIG. 1

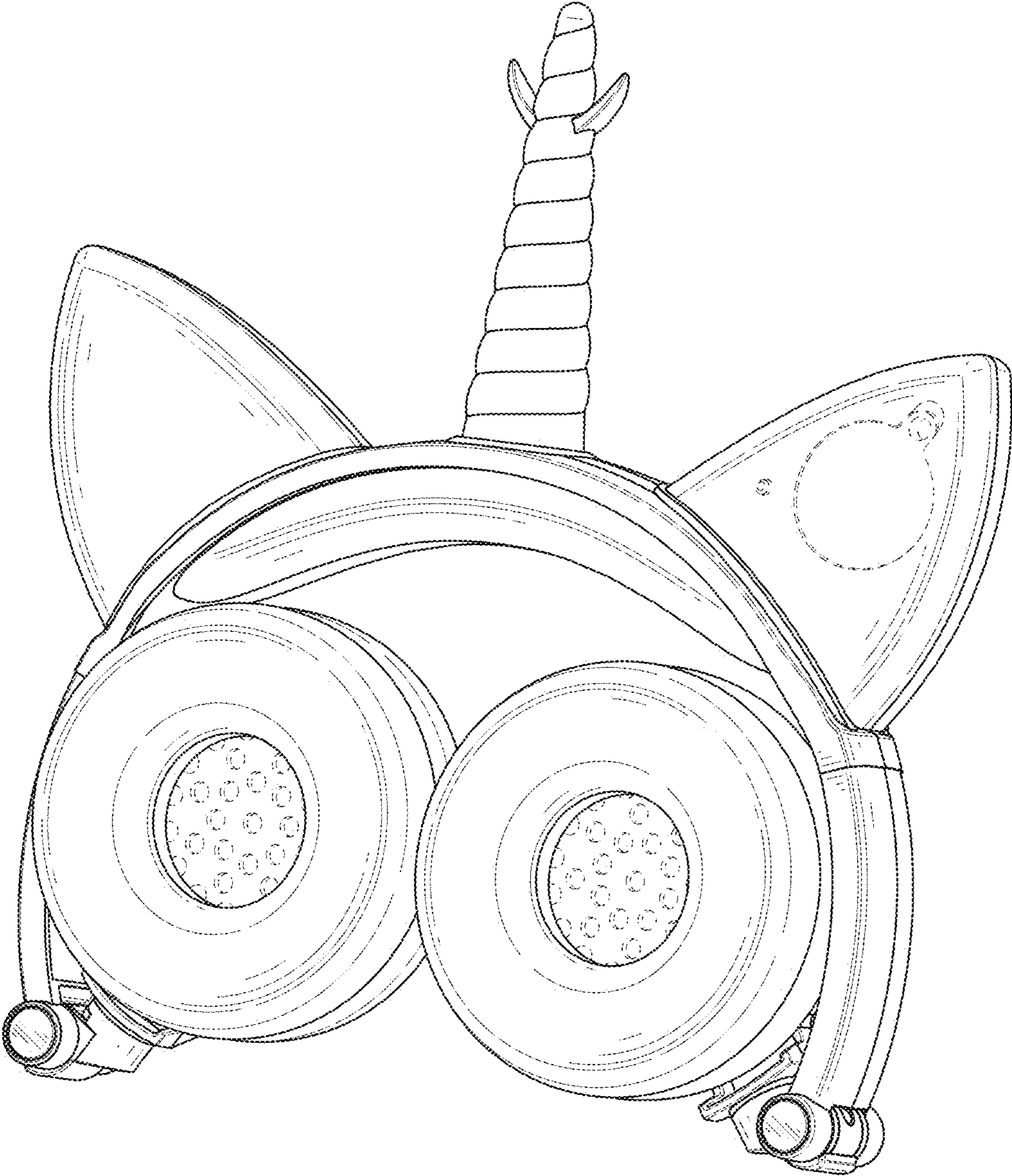


FIG. 2

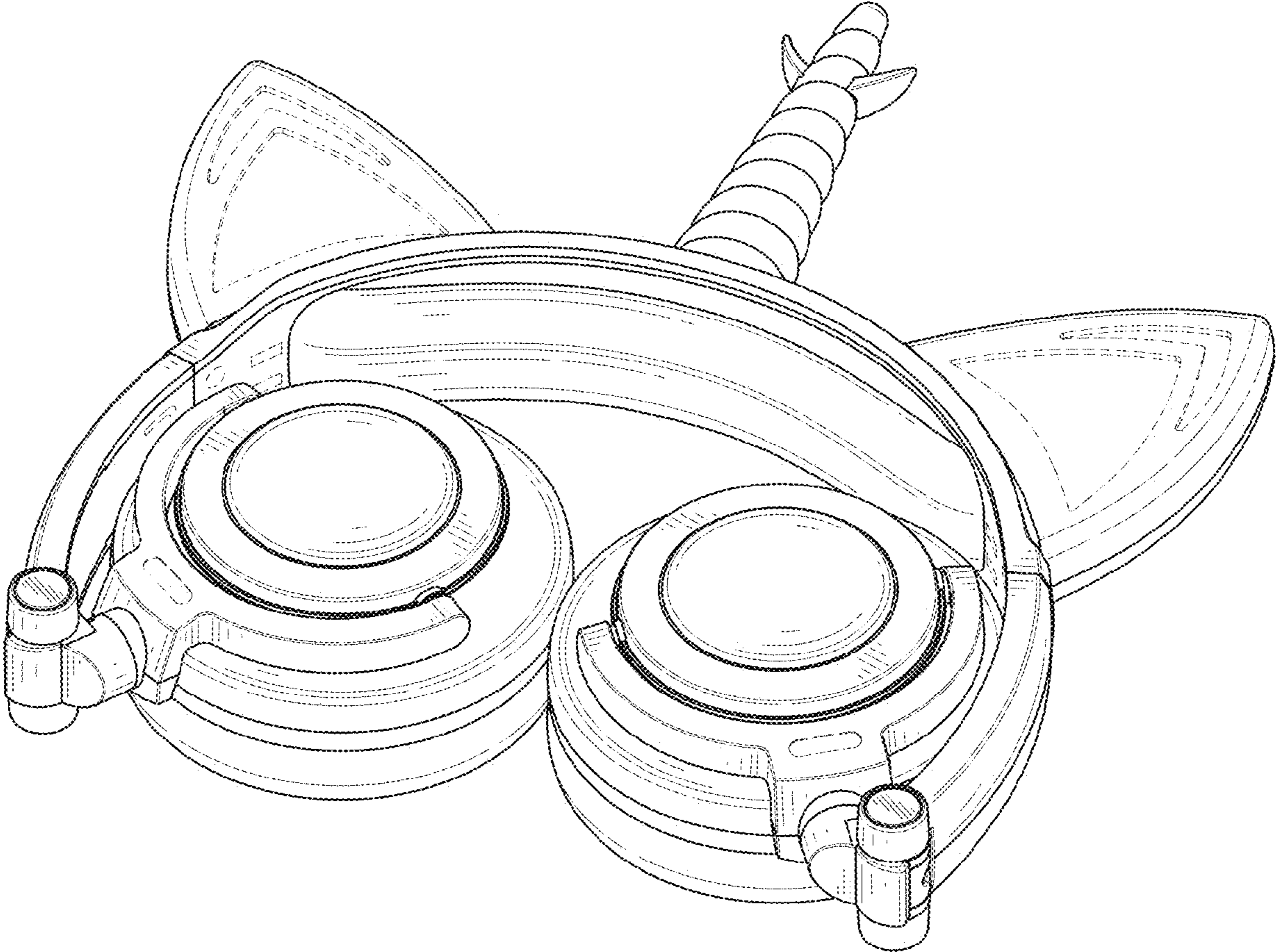


FIG. 3

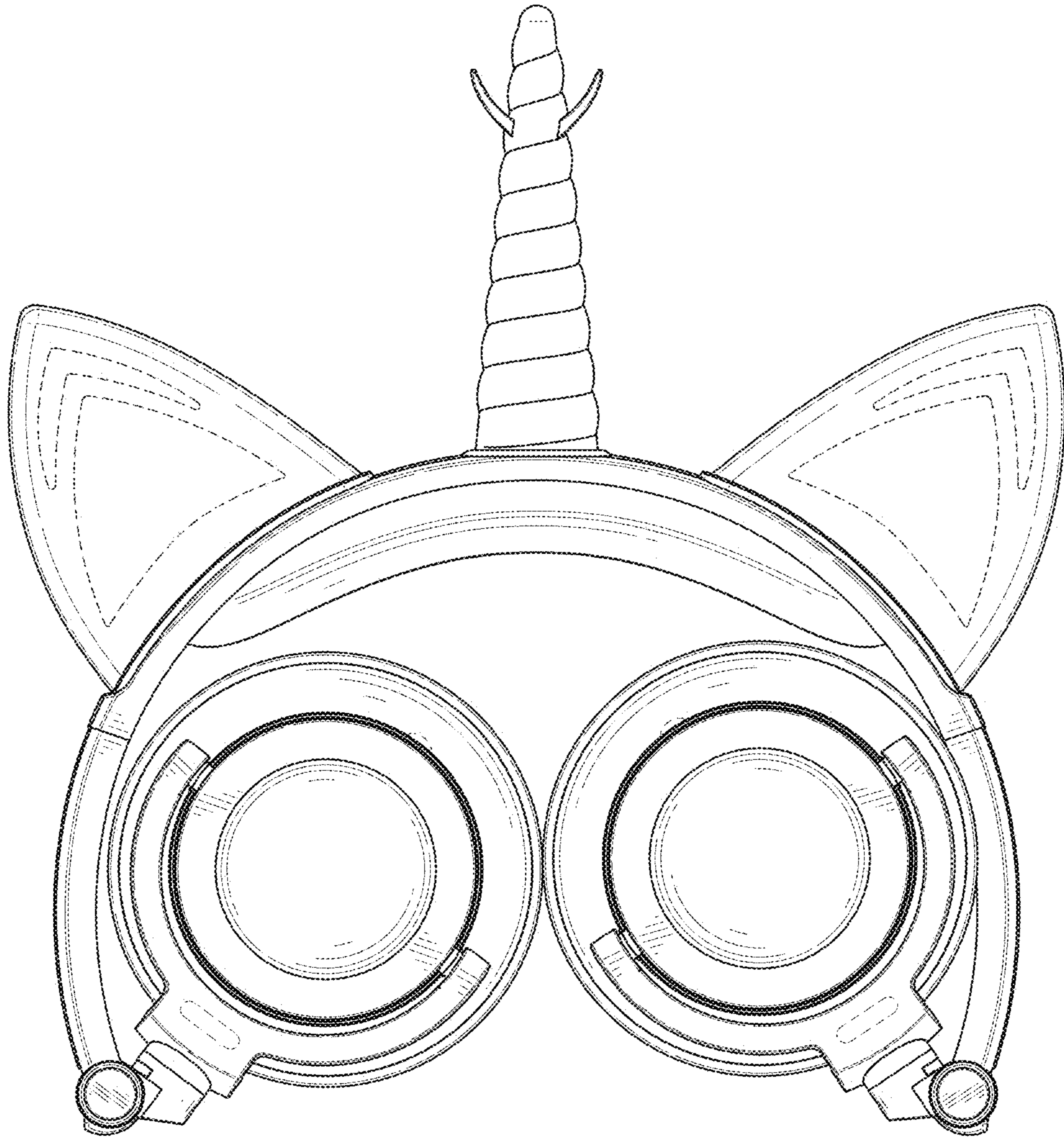


FIG. 4

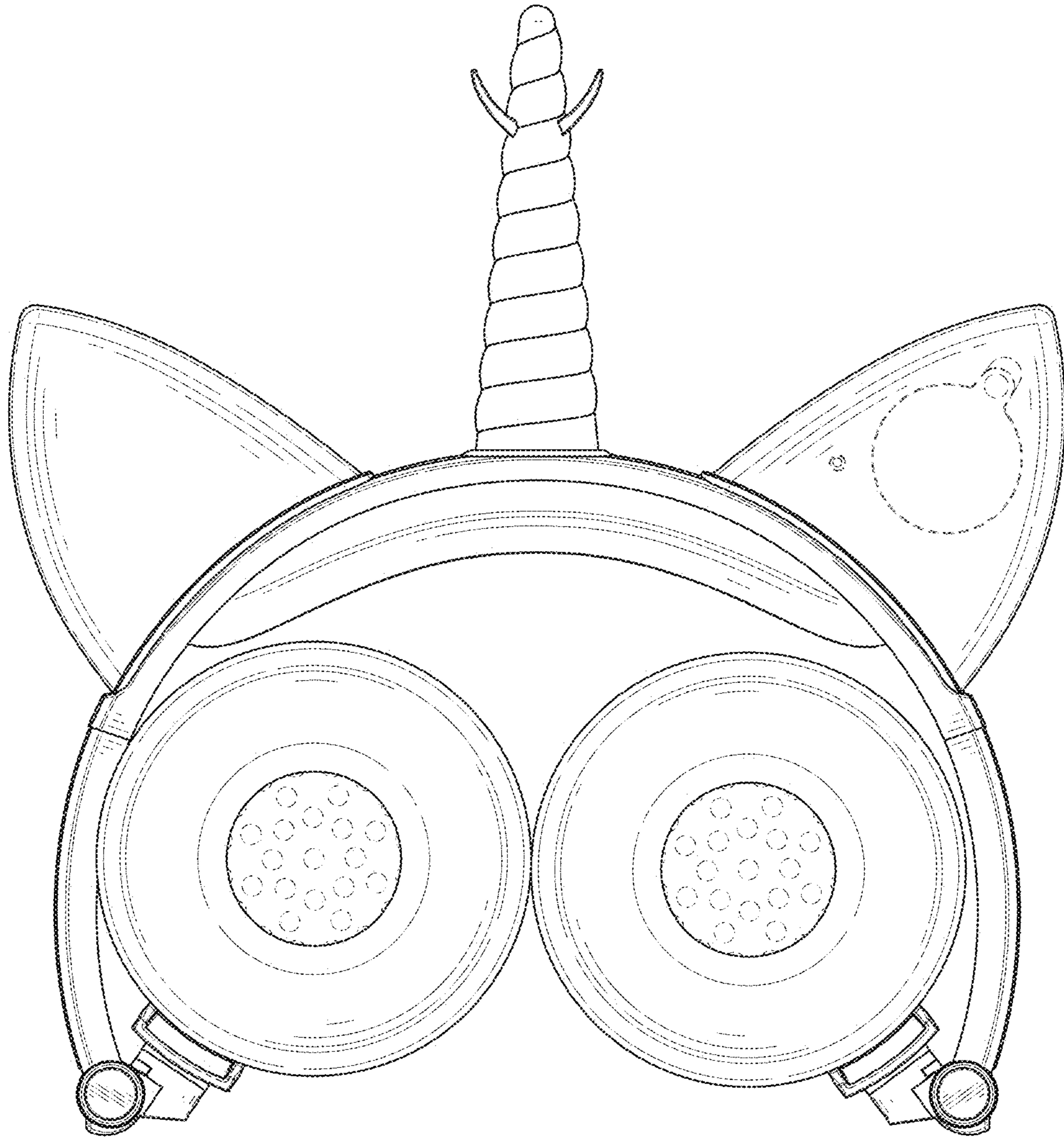


FIG. 5

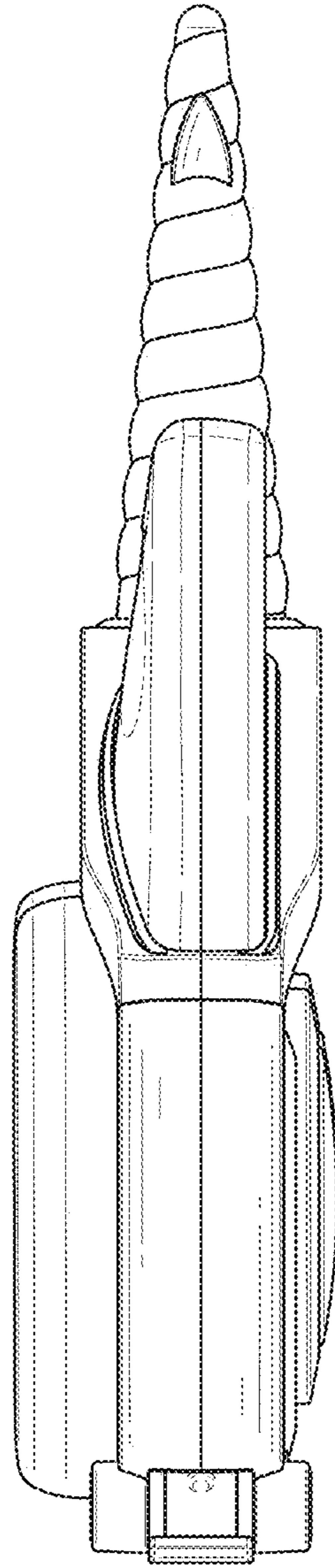


FIG. 6

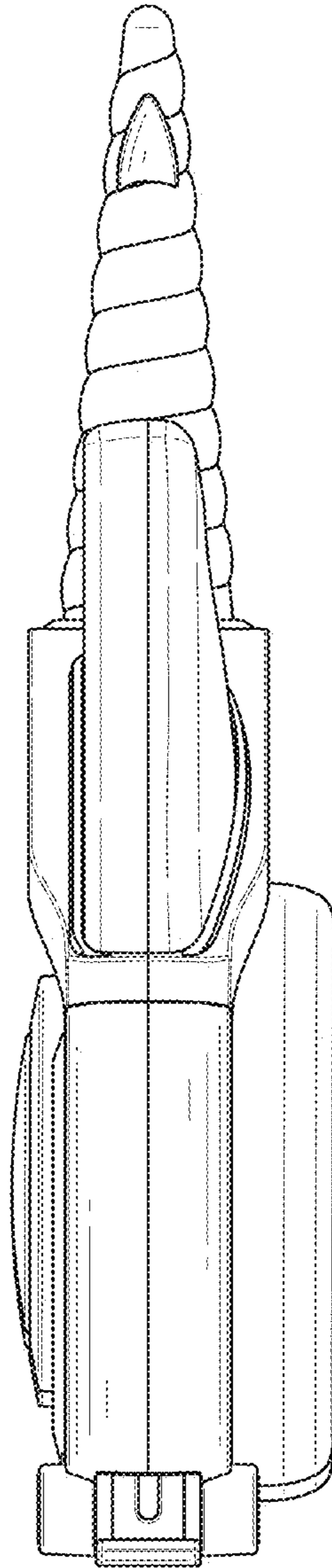


FIG. 7

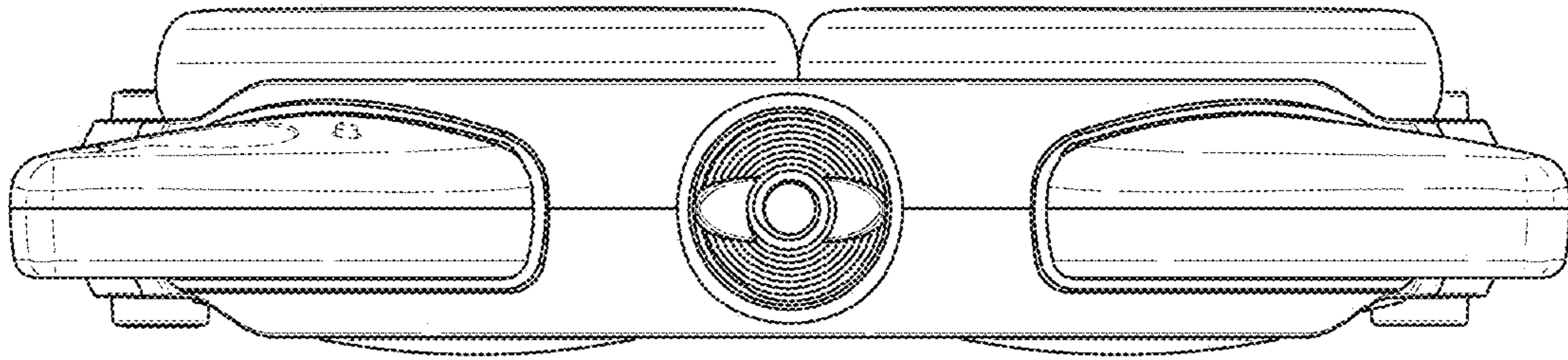


FIG. 8

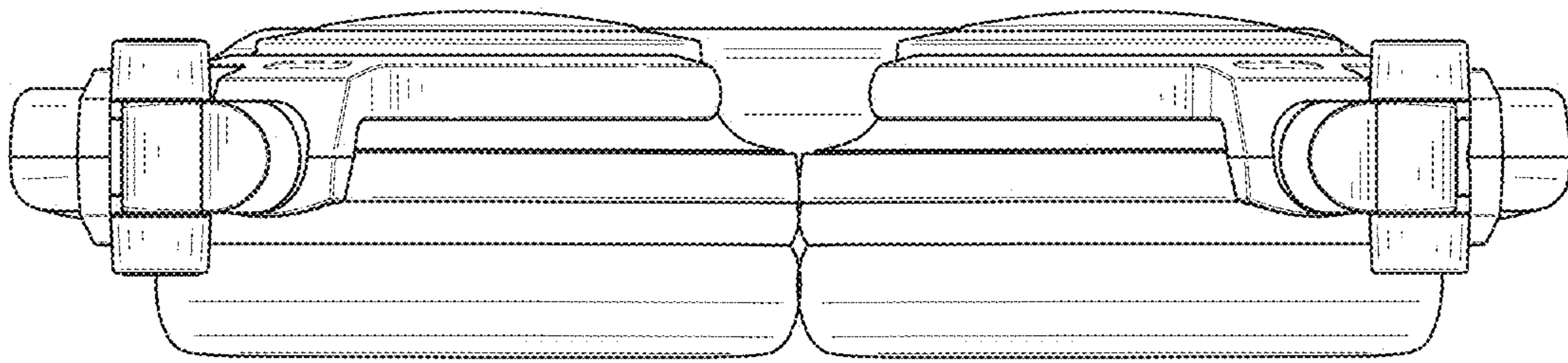


FIG. 9