

US00D902173S

(12) **United States Design Patent**  
**Lieblein**

(10) **Patent No.:** **US D902,173 S**

(45) **Date of Patent:** **\*\* Nov. 17, 2020**

(54) **TURNTABLE**

(71) Applicant: **Corey Lieblein**, Port Washington, NY  
(US)

(72) Inventor: **Corey Lieblein**, Port Washington, NY  
(US)

(73) Assignee: **INNOVATIVE TECHNOLOGY  
ELECTRONICS CORP.**, Port  
Washington, NY (US)

(\*\*) Term: **15 Years**

(21) Appl. No.: **29/672,161**

(22) Filed: **Dec. 3, 2018**

(51) **LOC (12) Cl.** ..... **14-01**

(52) **U.S. Cl.**  
USPC ..... **D14/202**

(58) **Field of Classification Search**  
USPC ..... D14/199–203, 261; 369/264–265  
CPC ..... B60R 11/02; B60K 37/04; B60K 37/06;  
H04B 1/08; H04B 1/082; G11B 17/16;  
G11B 23/00; G11B 19/16; G11B 33/02  
See application file for complete search history.

(56) **References Cited**

**U.S. PATENT DOCUMENTS**

2,556,421	A *	6/1951	Gee, Jr.	.....	G11B 33/027 369/78
D200,804	S *	4/1965	Brown	.....	D14/203
3,268,229	A *	8/1966	Funk	.....	G11B 33/02 D14/201
D229,574	S *	12/1973	Martin	.....	D14/201
D230,508	S *	2/1974	Iida	.....	D14/203
D234,315	S *	2/1975	Mansfield	.....	D14/203
D238,394	S *	1/1976	Akazawa	.....	D14/202
D241,574	S *	9/1976	Mukai et al.	.....	D14/202
D247,488	S *	3/1978	Ohtomo	.....	D14/202
D249,143	S *	8/1978	Ohtomo	.....	D14/203

D250,333 S \* 11/1978 Meunier ..... G11B 33/02  
D14/203

D279,371 S \* 6/1985 Arrington ..... D14/202  
D810,716 S \* 2/2018 Yang ..... G11B 33/027  
D14/203

\* cited by examiner

*Primary Examiner* — Sandra L Morris

(74) *Attorney, Agent, or Firm* — White-Welker & Welker,  
LLC; Matthew T. Welker, Esq.

(57) **CLAIM**

The ornamental design for a turntable, as shown and described.

**DESCRIPTION**

FIG. 1 is a perspective view of the turntable shown in the design;  
 FIG. 2 is top plan view of the turntable of the present design;  
 FIG. 3 is a right side plan view of the turntable of the present design;  
 FIG. 4 is a left side plan view of the turntable of the present design;  
 FIG. 5 is a front side plan view of the turntable of the present design;  
 FIG. 6 is a back side plan view of the turntable of the present design;  
 FIG. 7 is a perspective view of the turntable, shown in a closed position;  
 FIG. 8 is top plan view of the turntable of the present design;  
 FIG. 9 is a right side plan view of the turntable of the present design;  
 FIG. 10 is a left side plan view thereof;  
 FIG. 11 is a front side plan view thereof; and,  
 FIG. 12 is a back side plan view of the turntable of the present design.  
 Any broken lines are for the purpose of illustrating the environment of the design only and form no part of the claimed design.

**1 Claim, 12 Drawing Sheets**

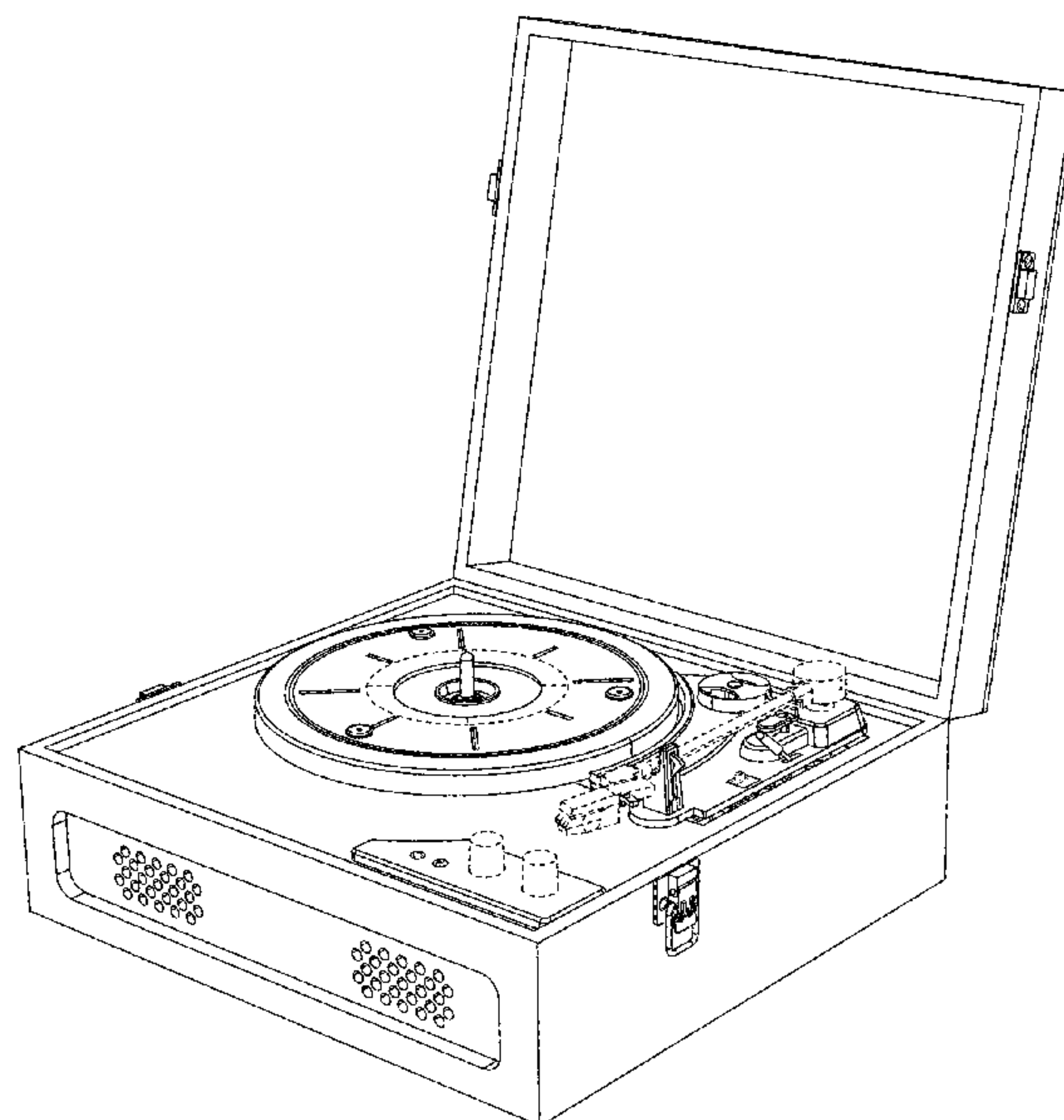




FIG. 1

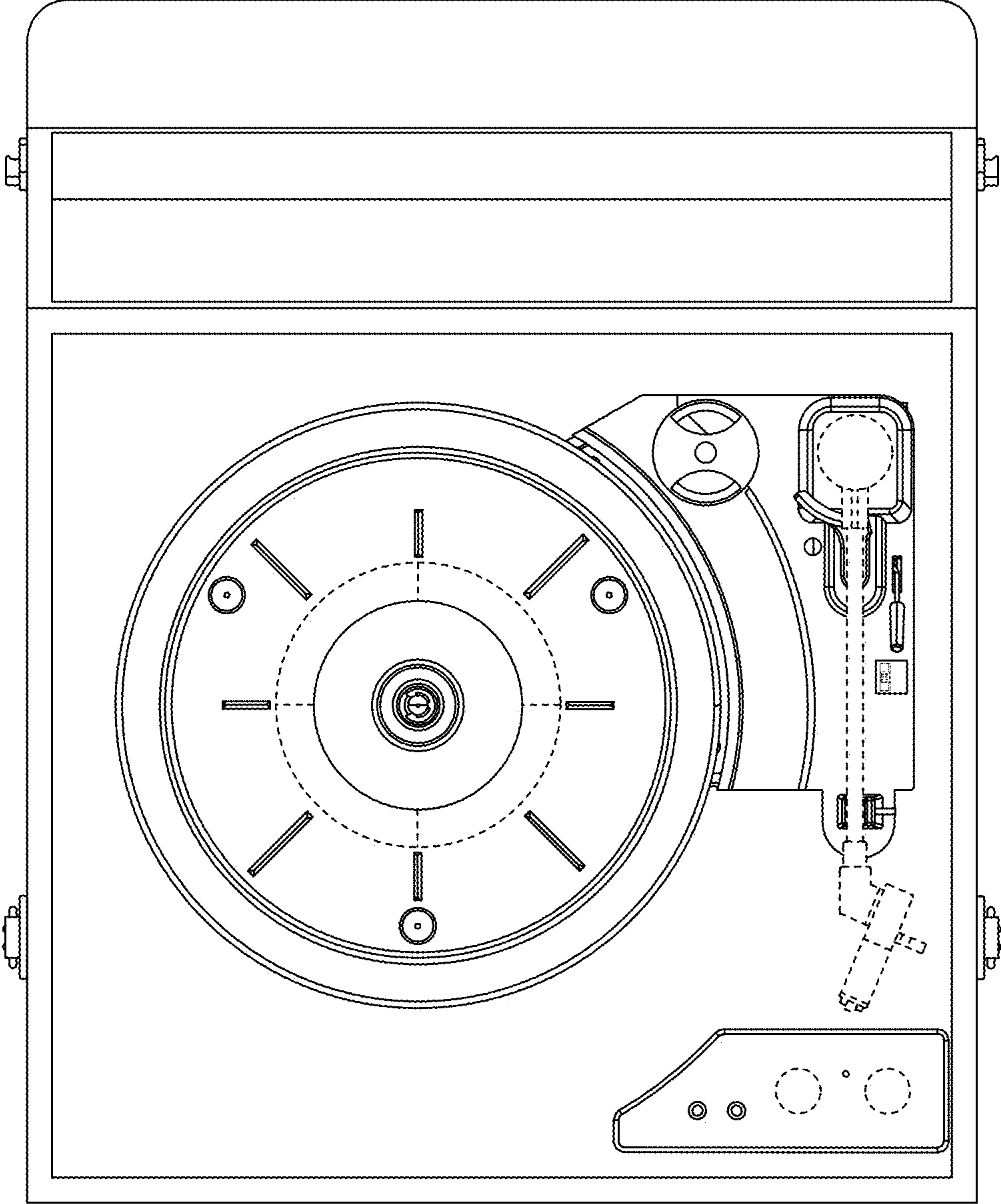


FIG. 2

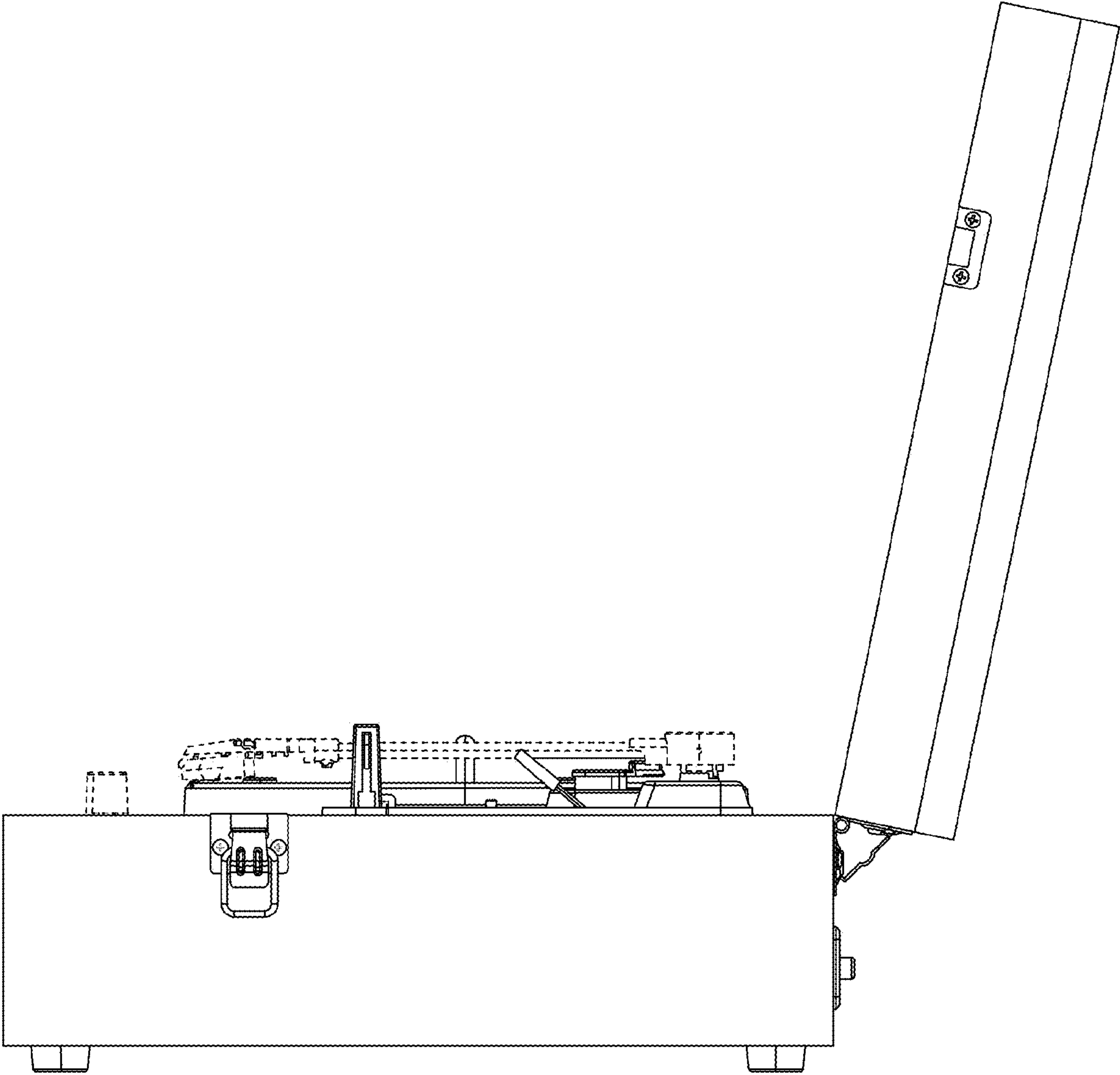


FIG. 3

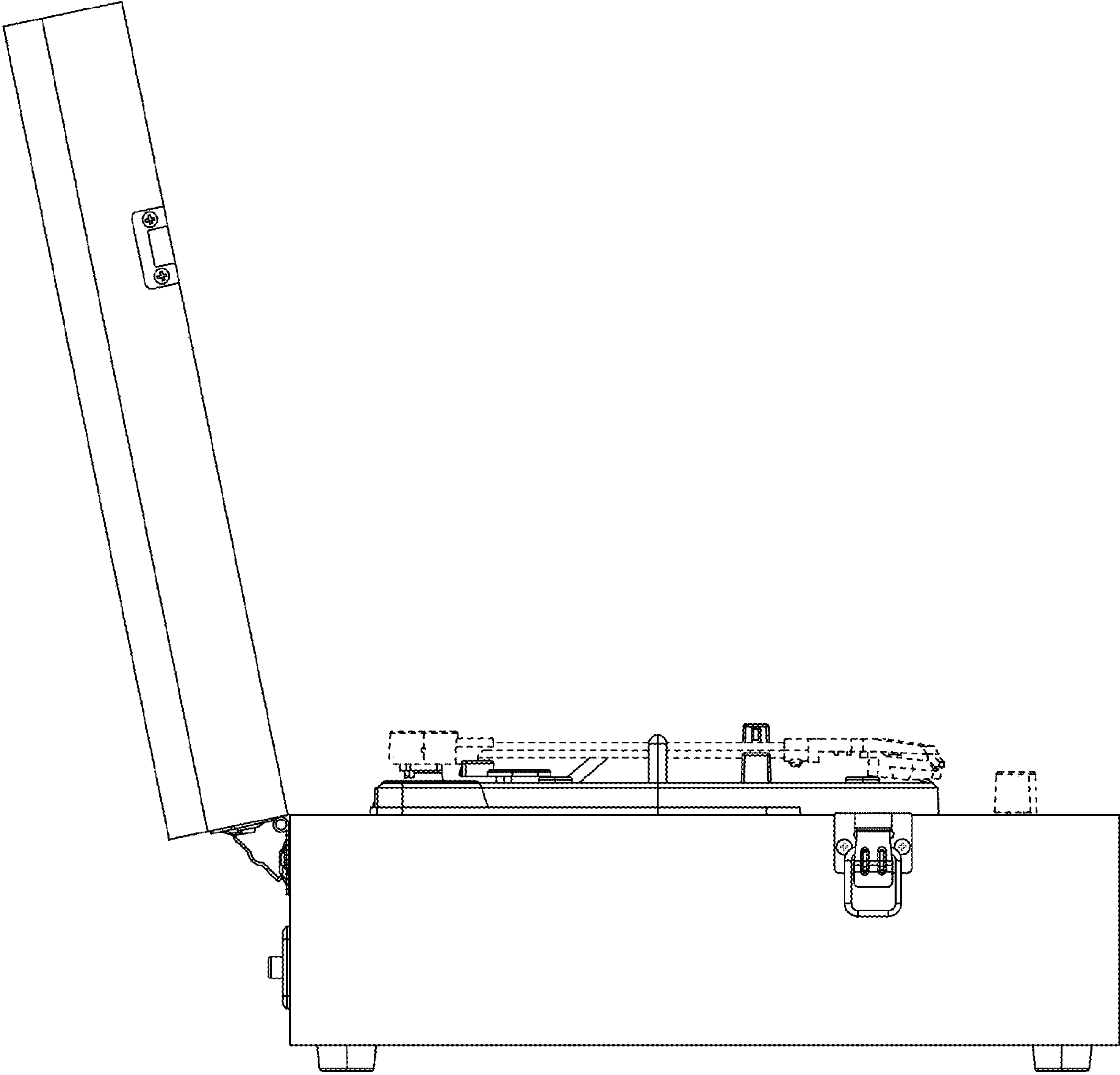


FIG. 4



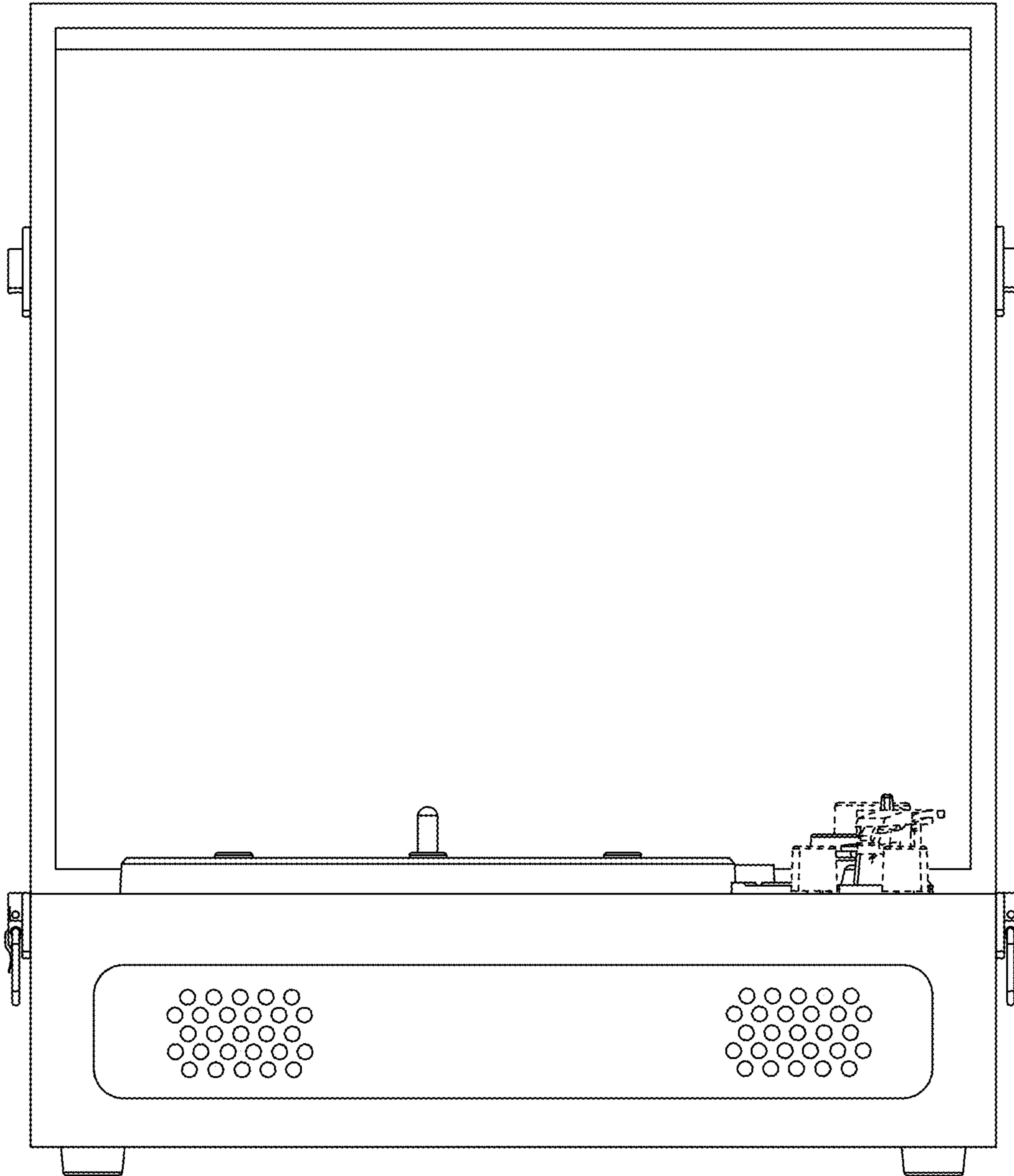


FIG. 5

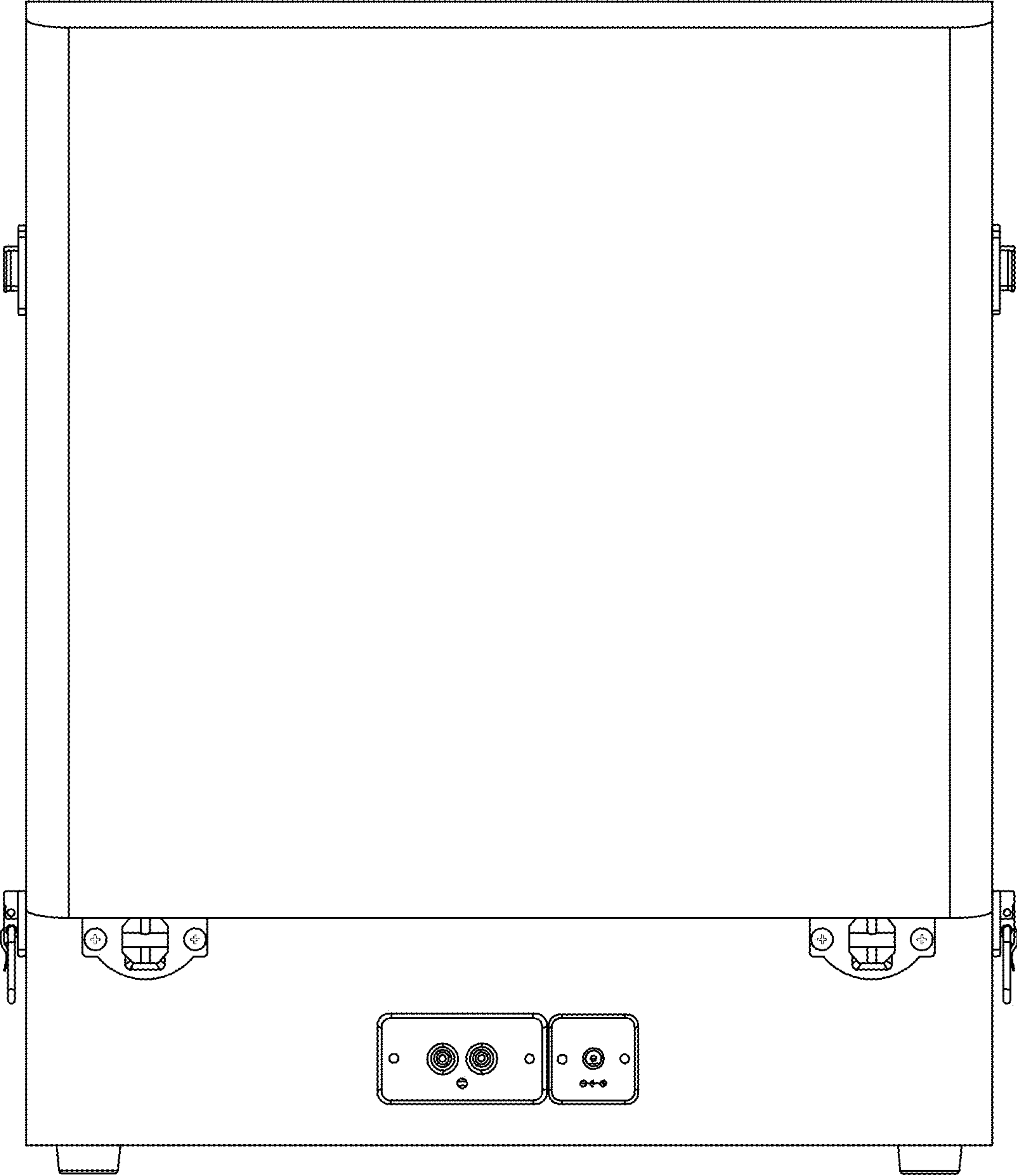


FIG. 6

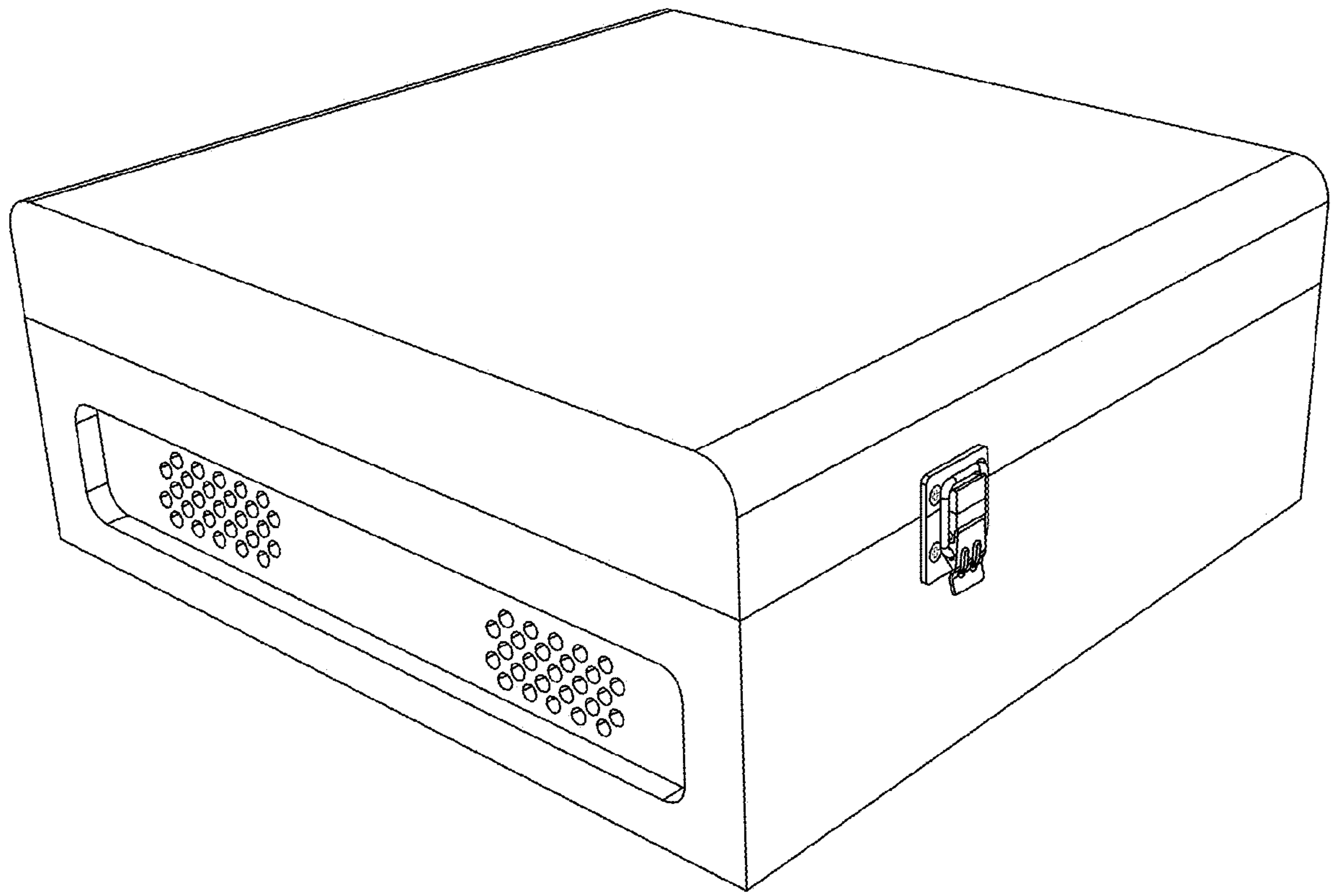


FIG. 7



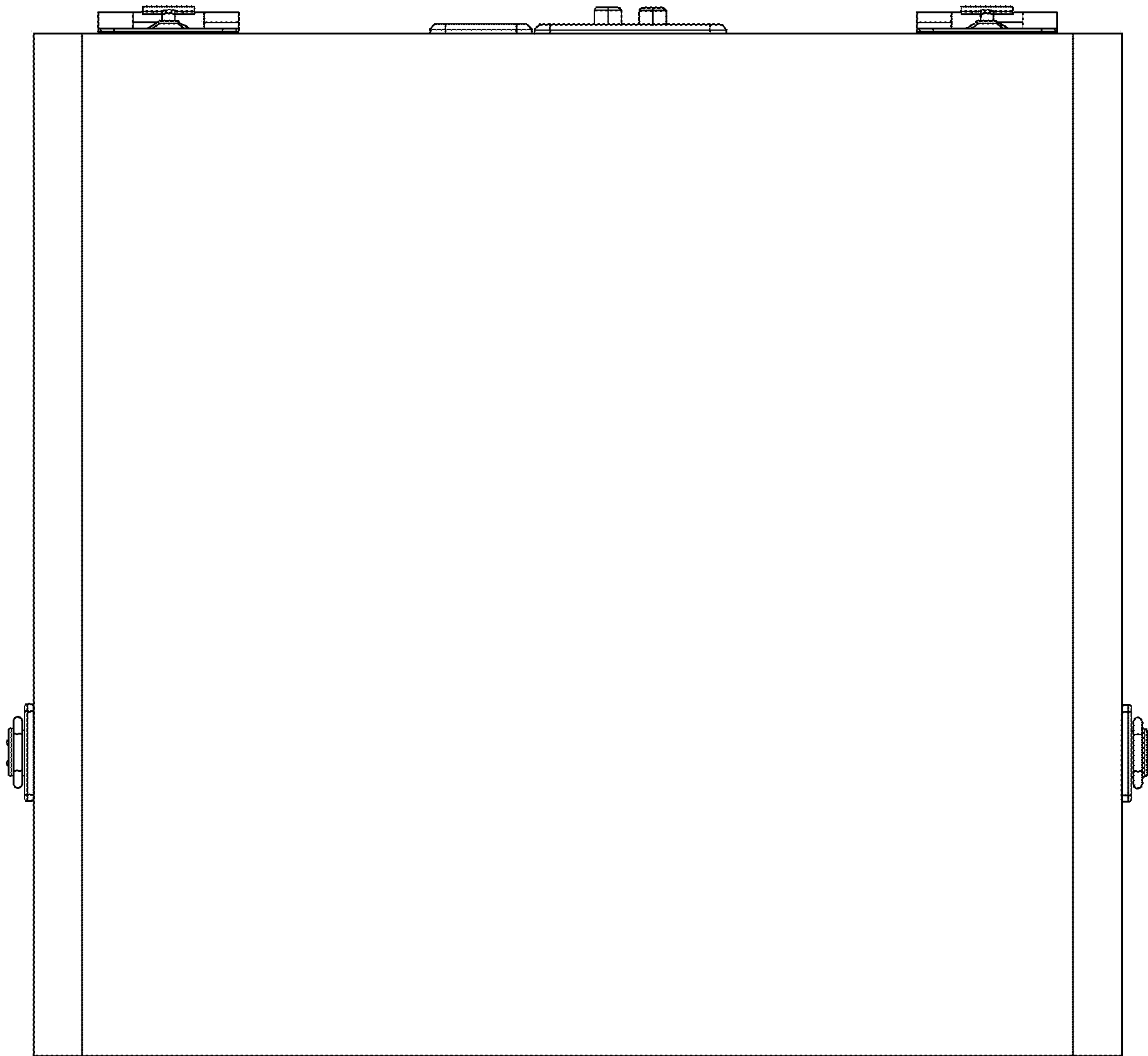


FIG. 8

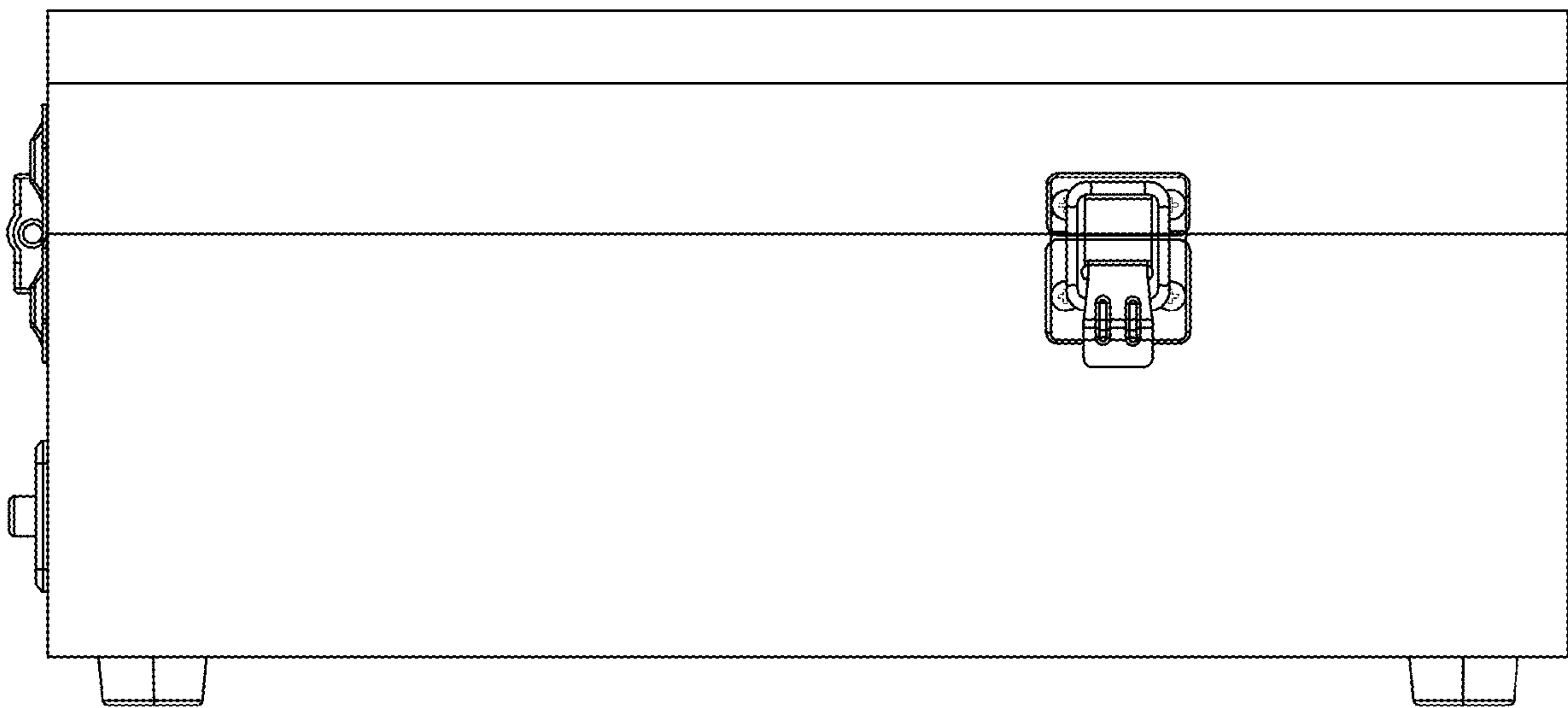


FIG. 9

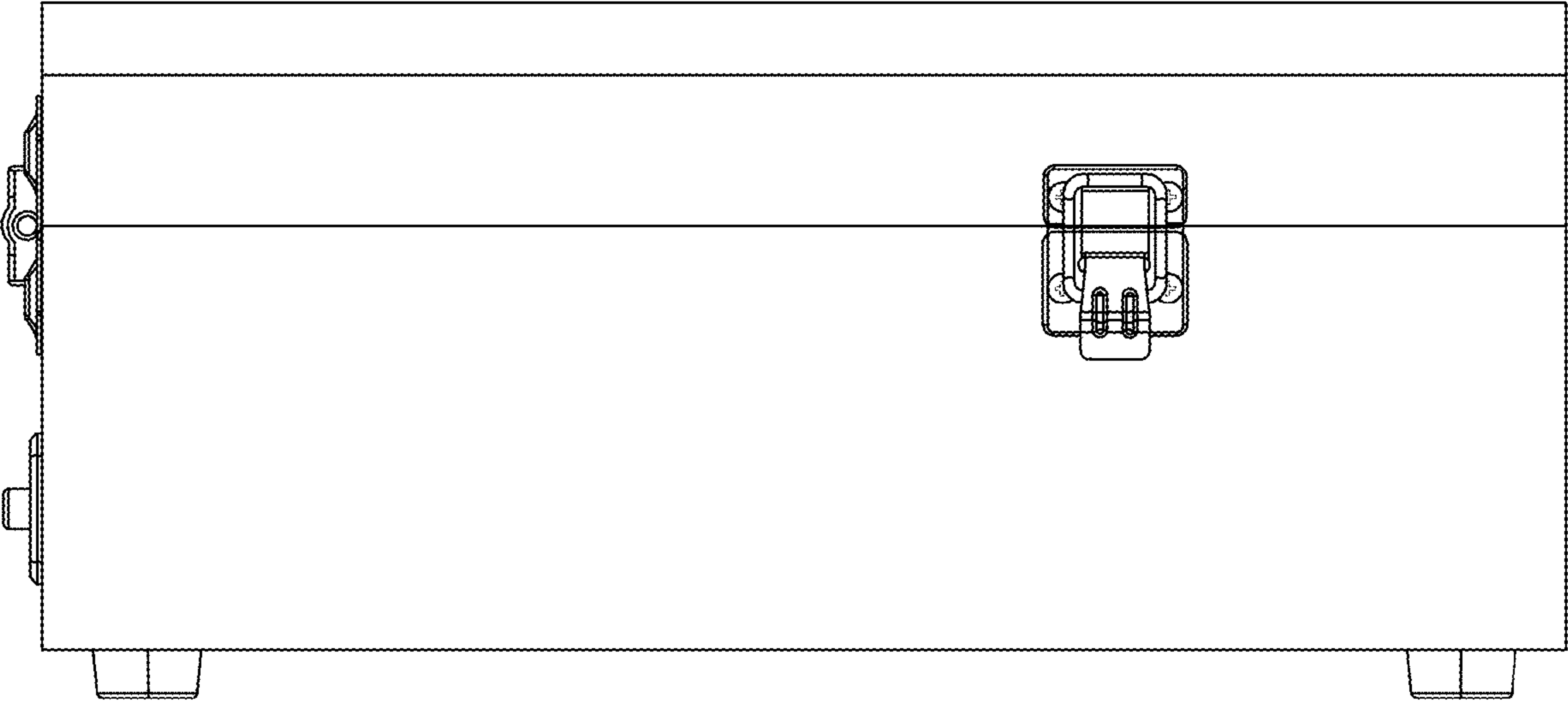


FIG. 10

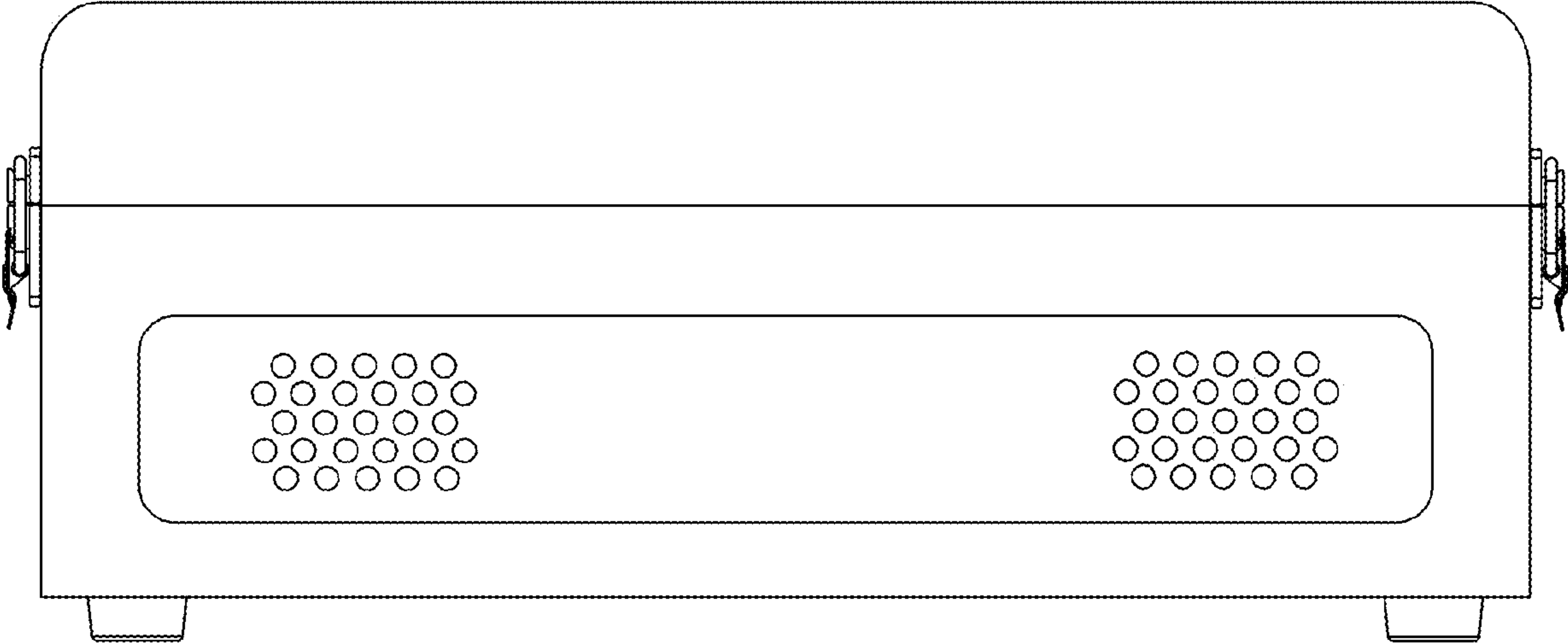


FIG. 11

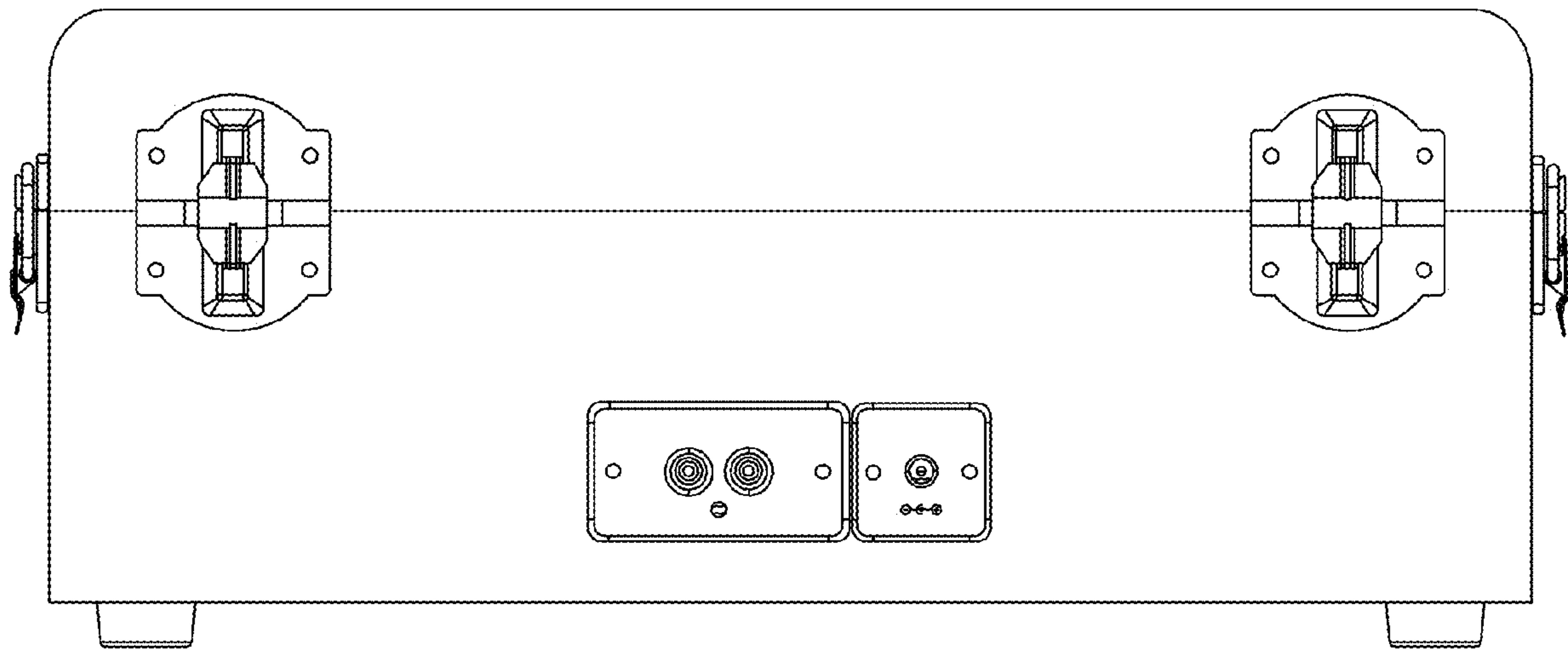


FIG. 12