



US00D902172S

(12) **United States Design Patent**  
**Lieblein**

(10) **Patent No.:** **US D902,172 S**

(45) **Date of Patent:** **\*\* Nov. 17, 2020**

(54) **TURNTABLE WITH DUST COVER**

(71) Applicant: **Corey Lieblein**, Port Washington, NY  
(US)

(72) Inventor: **Corey Lieblein**, Port Washington, NY  
(US)

(73) Assignee: **INNOVATIVE TECHNOLOGY  
ELECTRONICS CORP.**, Port  
Washington, NY (US)

(\*\*) Term: **15 Years**

(21) Appl. No.: **29/662,613**

(22) Filed: **Sep. 6, 2018**

(51) **LOC (12) Cl.** ..... **14-01**

(52) **U.S. Cl.**  
USPC ..... **D14/202**

(58) **Field of Classification Search**  
USPC ..... D14/199-203, 261; 369/264-265  
CPC ..... B60R 11/02; B60K 37/04; B60K 37/06;  
H04B 1/08; H04B 1/082; G11B 17/16;  
G11B 23/00; G11B 19/16; G11B 33/02  
See application file for complete search history.

(56) **References Cited**

**U.S. PATENT DOCUMENTS**

D231,681 S *	5/1974	Takahashi	.....	D14/203
D231,751 S *	6/1974	Takahashi	.....	D14/203
D231,752 S *	6/1974	Takahashi	.....	D14/203
D231,798 S *	6/1974	Takahashi	.....	D14/203
D247,488 S *	3/1978	Ohtomo	.....	D14/202
D249,143 S *	8/1978	Ohtomo	.....	D14/203
D252,393 S *	7/1979	Kashidaira	.....	D14/203

D253,648 S *	12/1979	Ohtomo	.....	D14/203
D803,182 S *	11/2017	Czaniecki	.....	D14/203
D810,716 S *	2/2018	Yang	.....	D14/203
D824,357 S *	7/2018	Ding	.....	D14/202

\* cited by examiner

*Primary Examiner* — Sandra L Morris

(74) *Attorney, Agent, or Firm* — White-Welker & Welker,  
LLC; Matthew T. Welker, Esq.

(57) **CLAIM**

The ornamental design for a turntable with dust cover, as shown and described.

**DESCRIPTION**

FIG. 1 is a top perspective view of the turntable with dust cover shown in the design.

FIG. 2 is top plan view of the turntable with dust cover of the present design.

FIG. 3 is bottom plan view of the turntable with dust cover of the present design.

FIG. 4 is a front side plan view of the turntable of the present design;

FIG. 5 is a left side plan view of the turntable with dust cover of the present design.

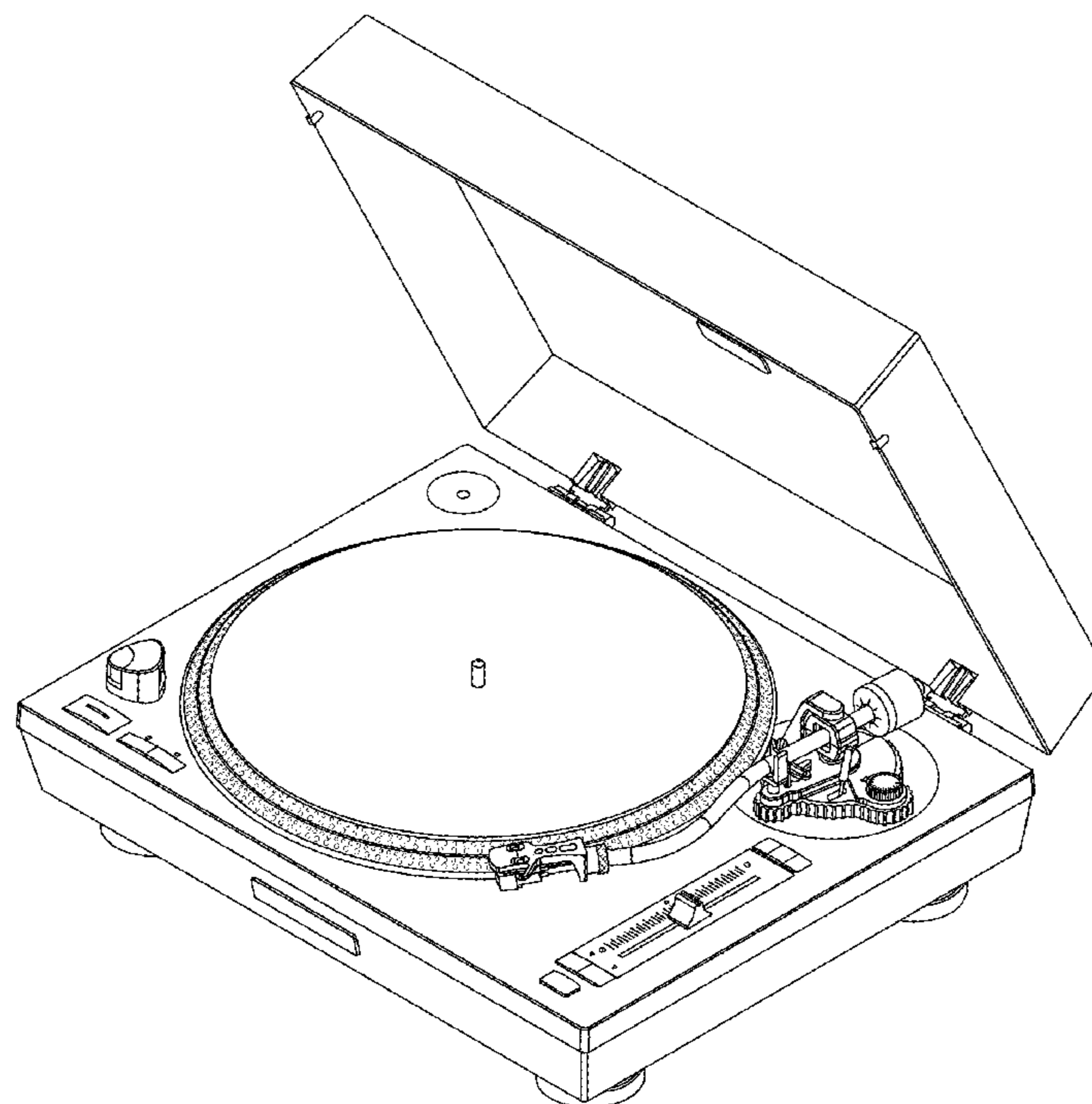
FIG. 6 is a back side plan view of the turntable of the present design.

FIG. 7 is a right side plan view of the turntable with dust cover of the present design; and,

FIG. 8 is a bottom perspective view of the turntable shown in the design.

Any broken lines are for the purpose of illustrating the environment of the design only and form no part of the claimed design.

**1 Claim, 8 Drawing Sheets**



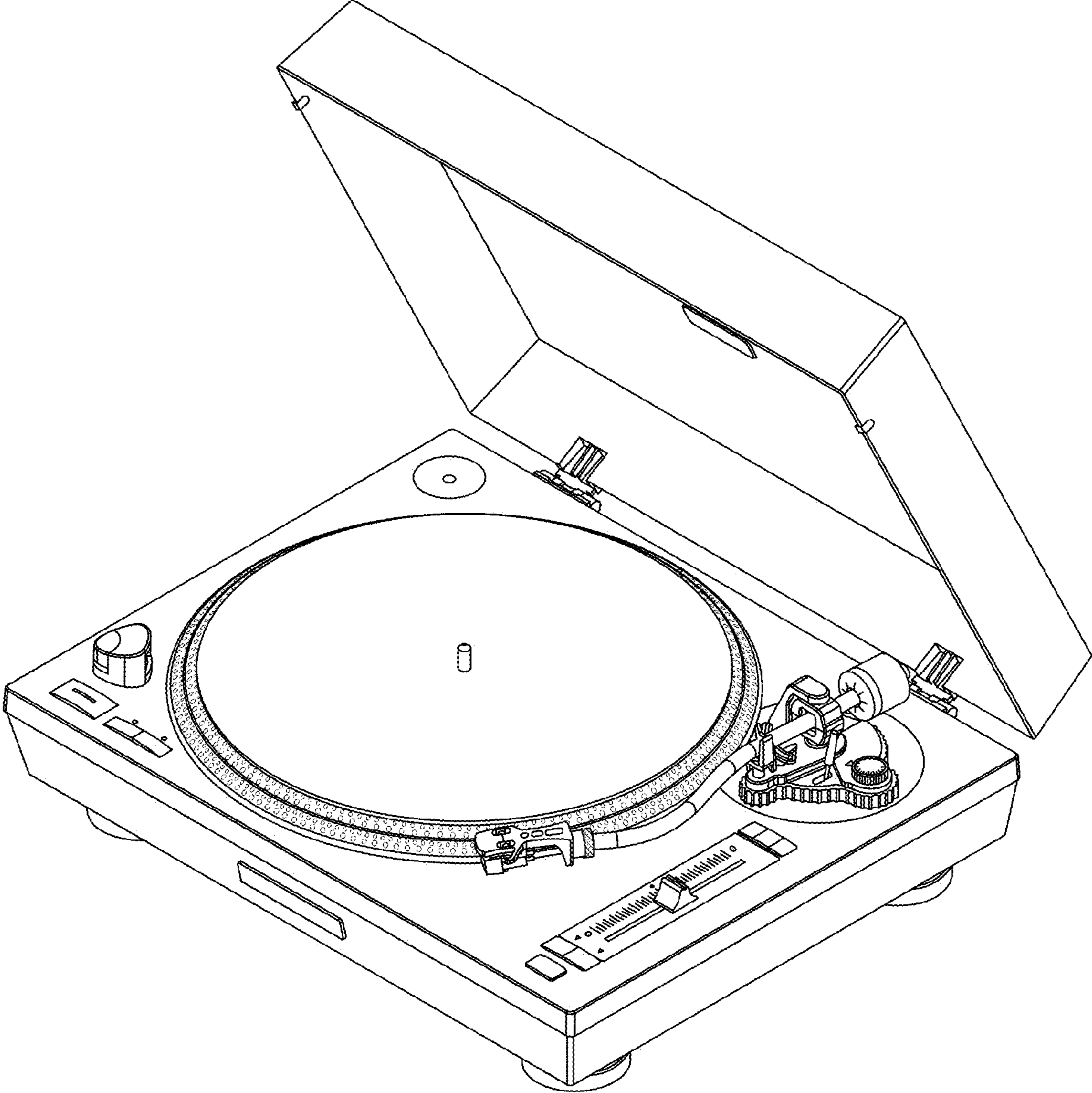


FIG. 1



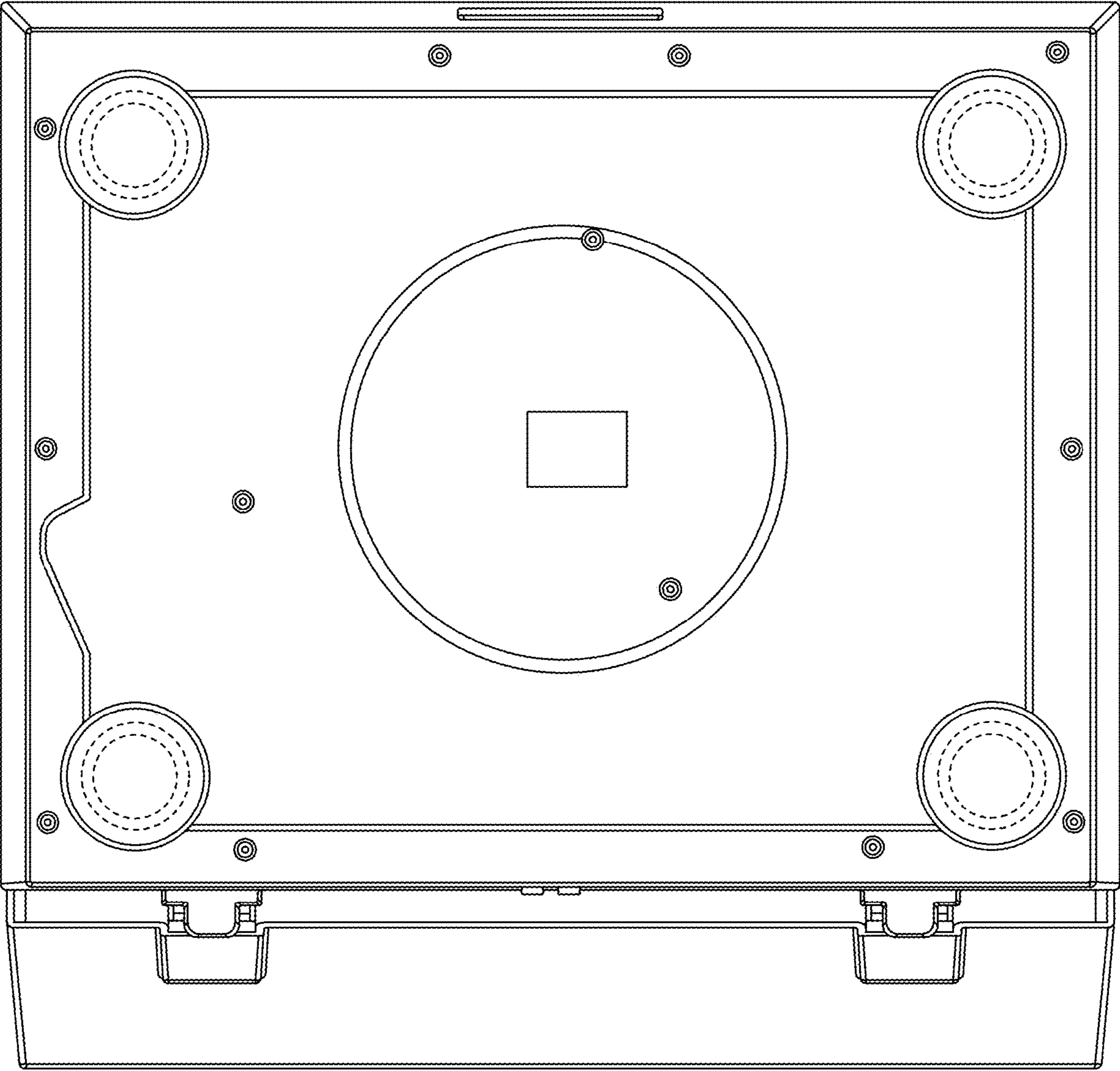


FIG. 3

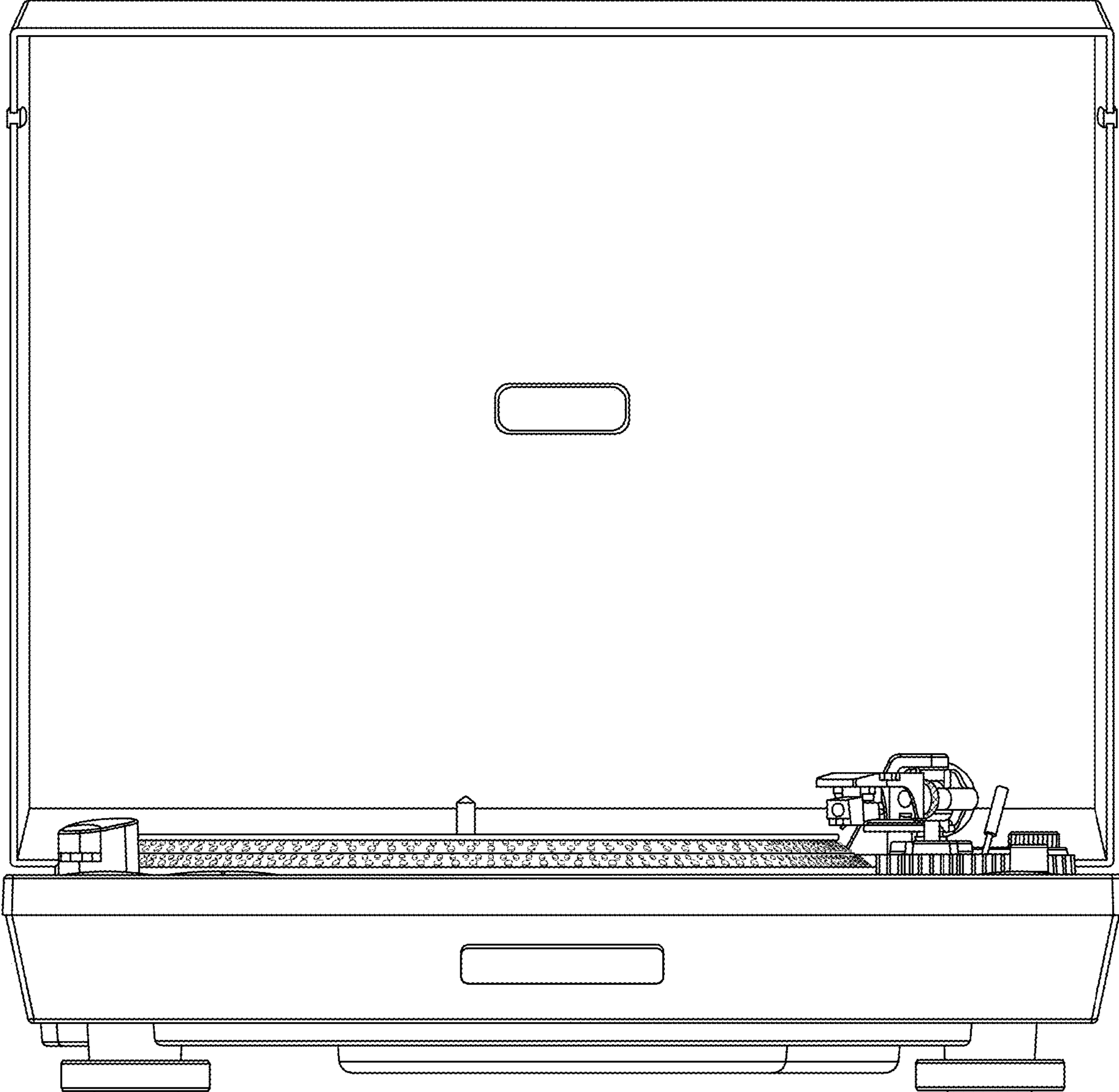


FIG. 4

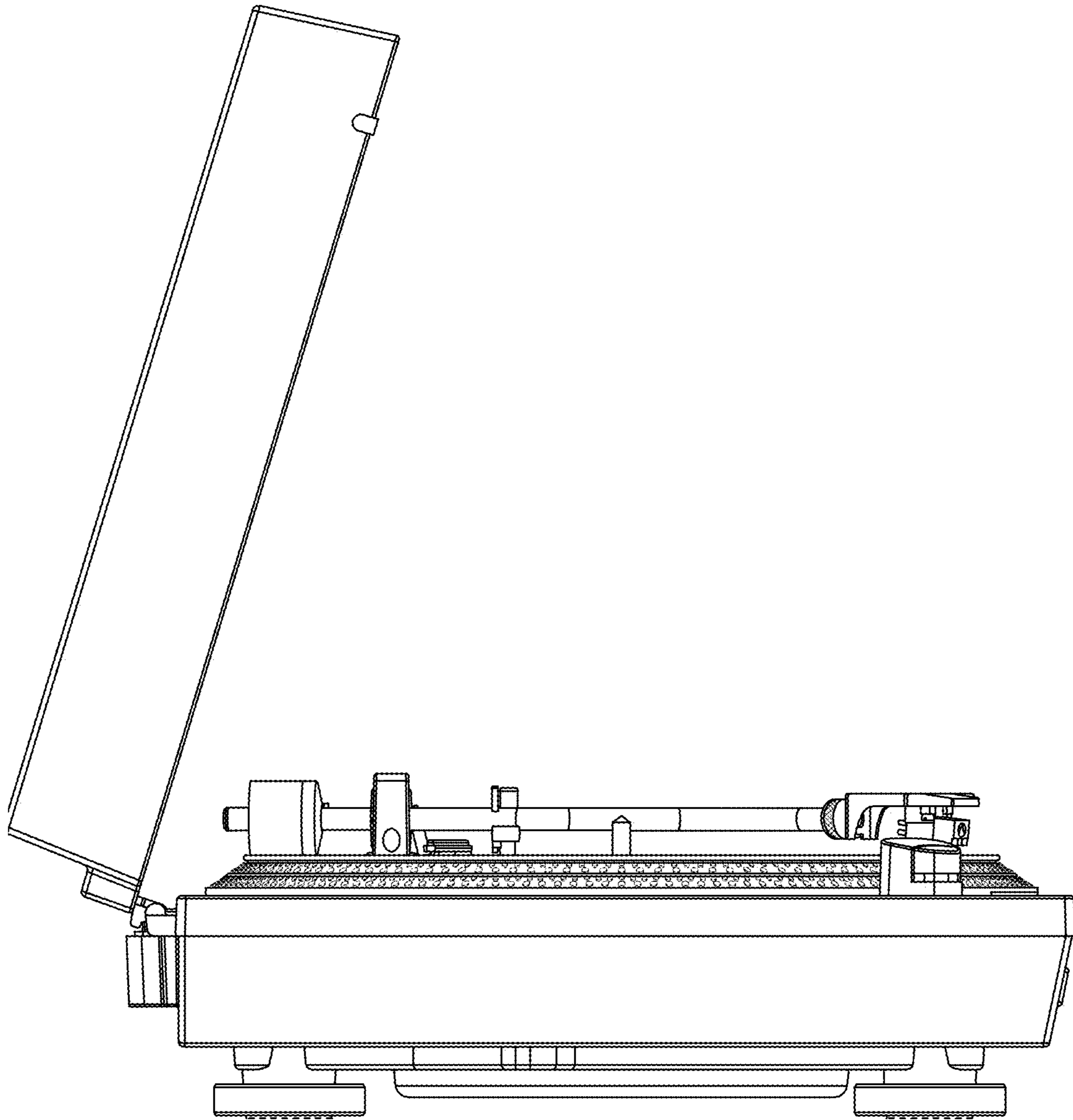


FIG. 5

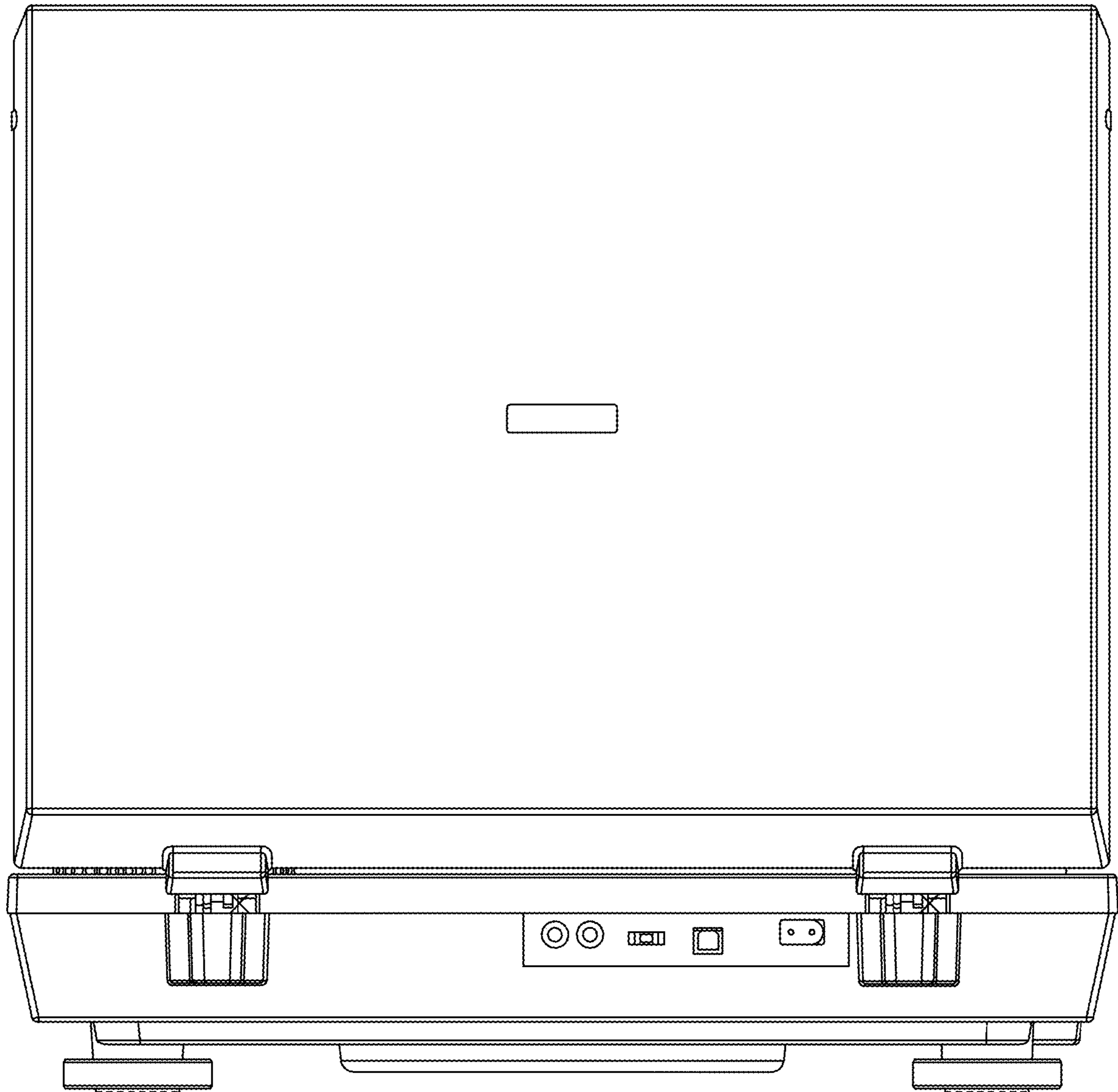


FIG. 6

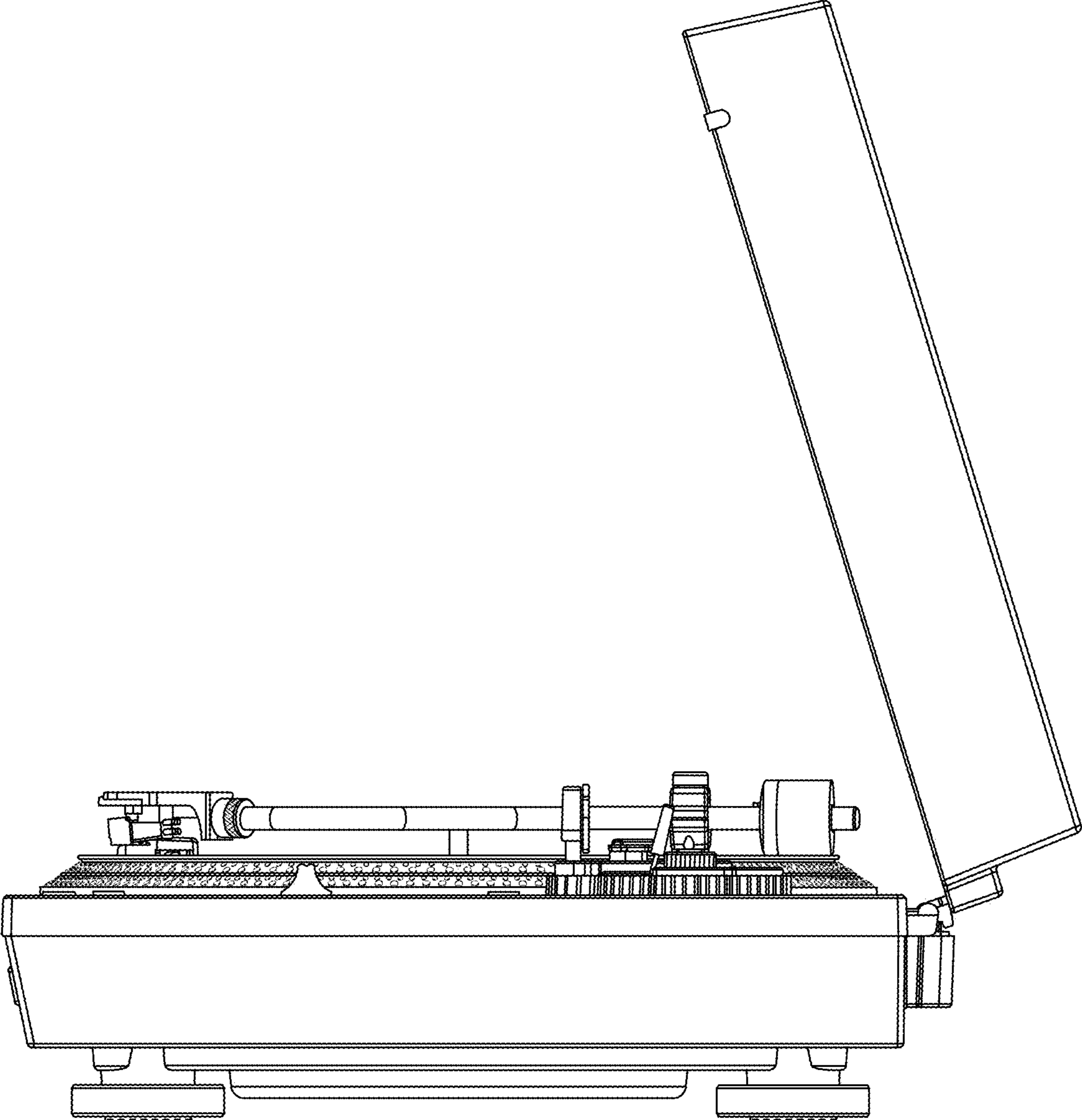


FIG. 7



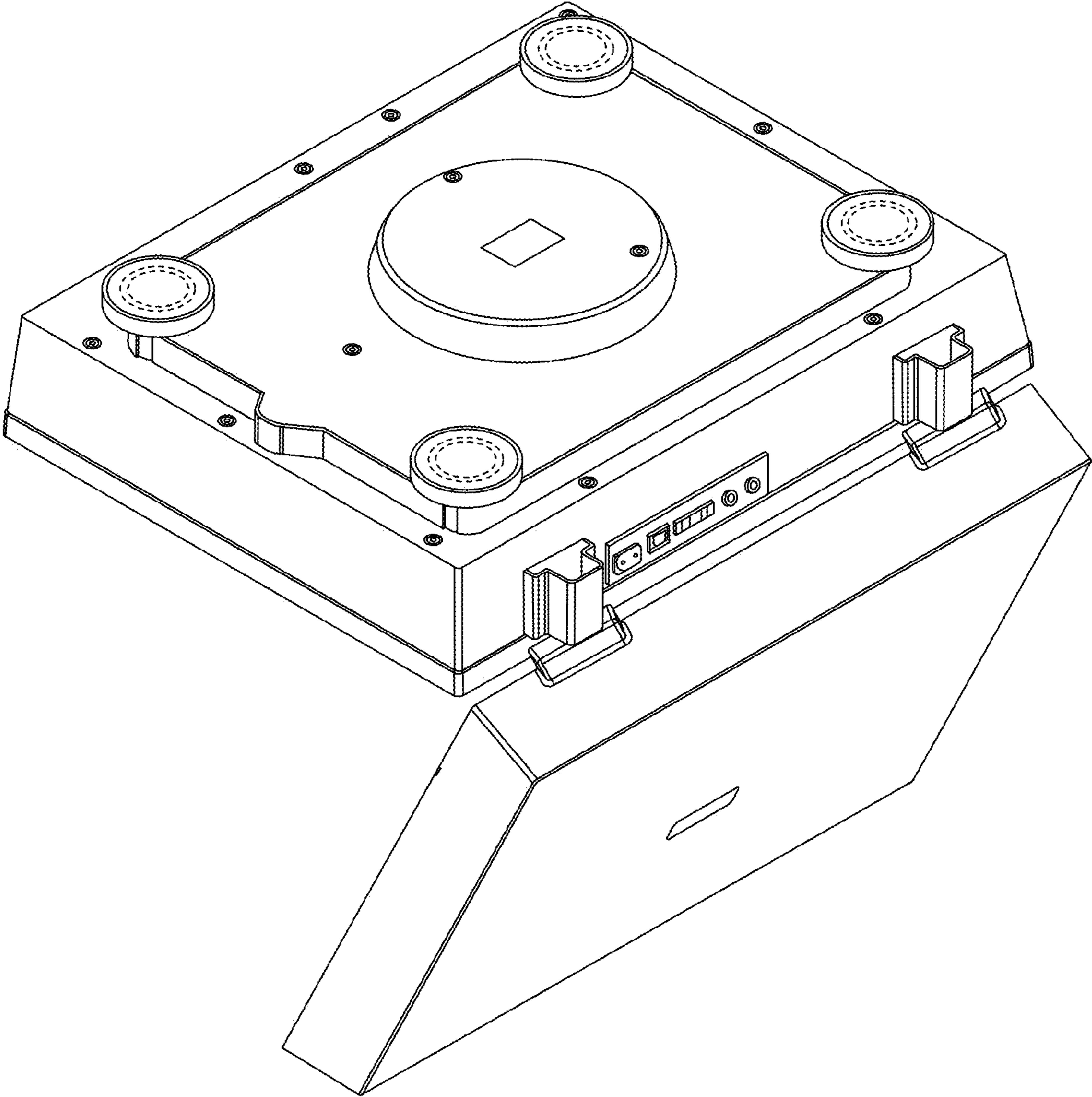


FIG. 8