



US00D902171S

(12) **United States Design Patent**  
**Ohmachi**

(10) **Patent No.:** **US D902,171 S**

(45) **Date of Patent:** **\*\* Nov. 17, 2020**

(54) **AMPLIFIER**

D773,432 S \* 12/2016 Rowan ..... D14/188  
D819,593 S \* 6/2018 Lee ..... D14/197  
D881,156 S \* 4/2020 Berger ..... D14/188

(71) Applicant: **YAMAHA CORPORATION,**  
Hamamatsu (JP)

\* cited by examiner

(72) Inventor: **Takenori Ohmachi,** Buena Park, CA  
(US)

*Primary Examiner* — Sandra L Morris

(74) *Attorney, Agent, or Firm* — Sughrue Mion, PLLC

(73) Assignee: **YAMAHA CORPORATION,**  
Hamamatsu (JP)

(\*\*) Term: **15 Years**

(57) **CLAIM**

(21) Appl. No.: **29/693,043**

The ornamental design for an amplifier, as shown and described.

(22) Filed: **May 30, 2019**

(51) **LOC (12) Cl.** ..... **14-03**

(52) **U.S. Cl.**  
USPC ..... **D14/188**

**DESCRIPTION**

(58) **Field of Classification Search**  
USPC ..... D14/496, 498–505, 168–169, 188–198,  
D14/203.1  
CPC ... B60R 11/02; H03F 1/00; H03F 1/32; H04R  
1/02; H04R 1/06; H04R 1/20; H04S 7/00  
See application file for complete search history.

FIG. 1 is a perspective view of the front, top and right side of an amplifier showing my new design;  
FIG. 2 is a front view thereof;  
FIG. 3 is a rear view thereof;  
FIG. 4 is a left side view thereof;  
FIG. 5 is a right side view thereof;  
FIG. 6 is a top view thereof; and,  
FIG. 7 is a bottom view thereof.

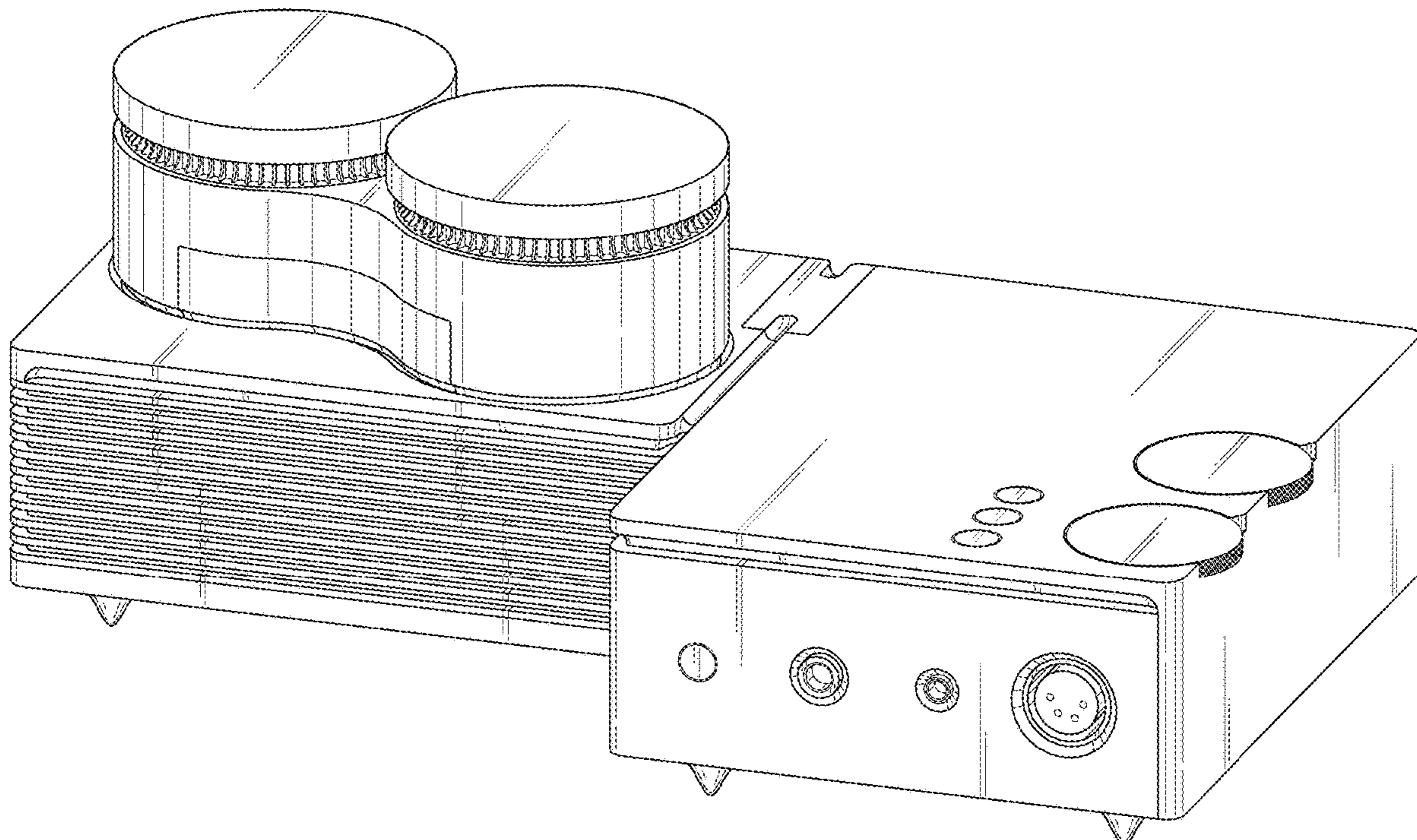
The broken line showing of the amplifier is included for the purpose of illustrating portions of the amplifier and forms no part of the claimed design.

(56) **References Cited**

**U.S. PATENT DOCUMENTS**

D364,162 S \* 11/1995 Dagan ..... D14/188  
D394,255 S \* 5/1998 Napoleone ..... D14/496

**1 Claim, 7 Drawing Sheets**



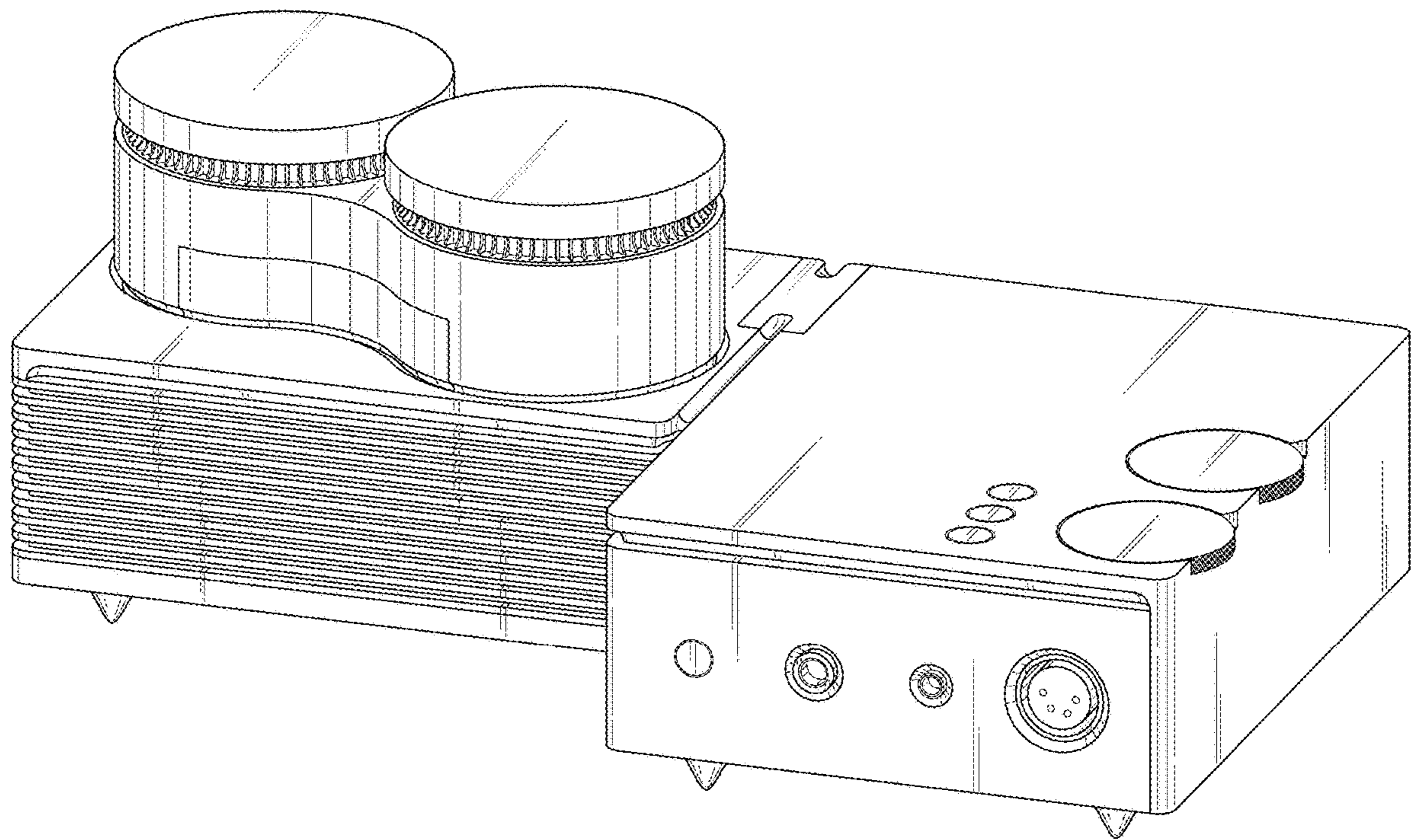


FIG. 1

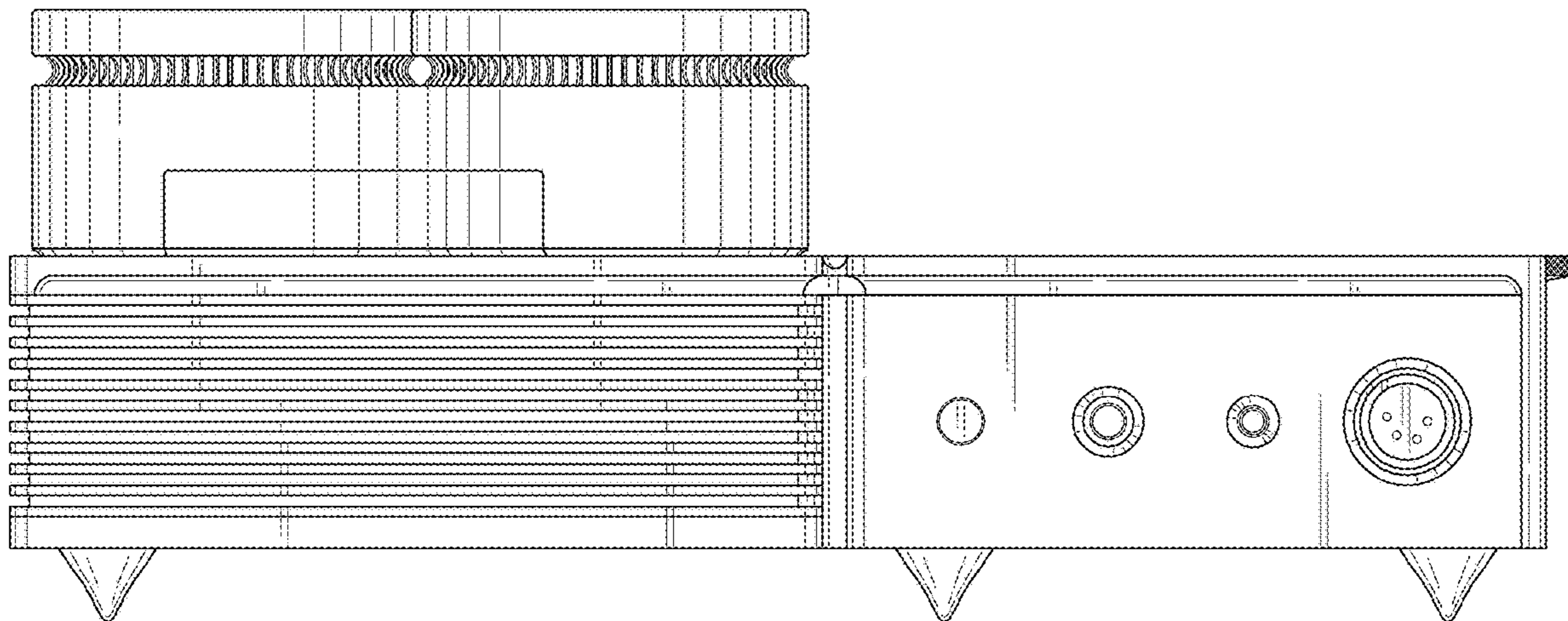


FIG. 2

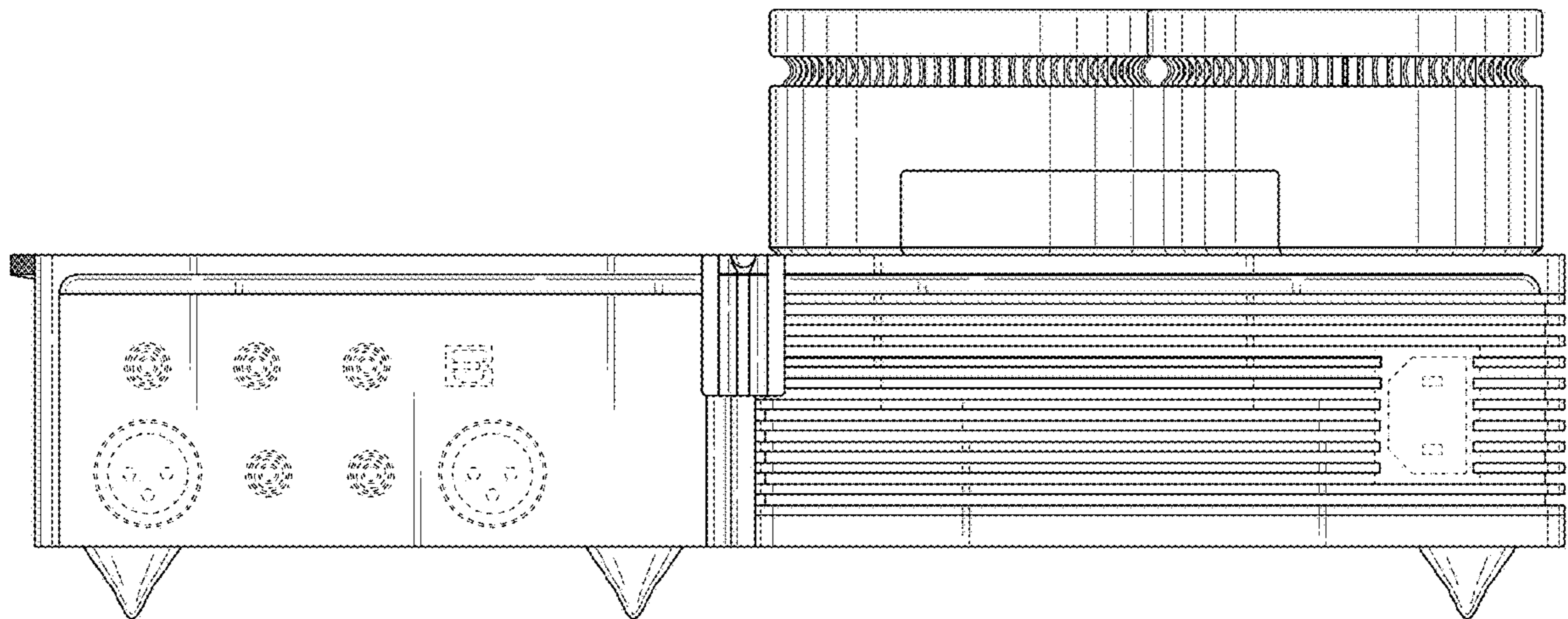


FIG. 3

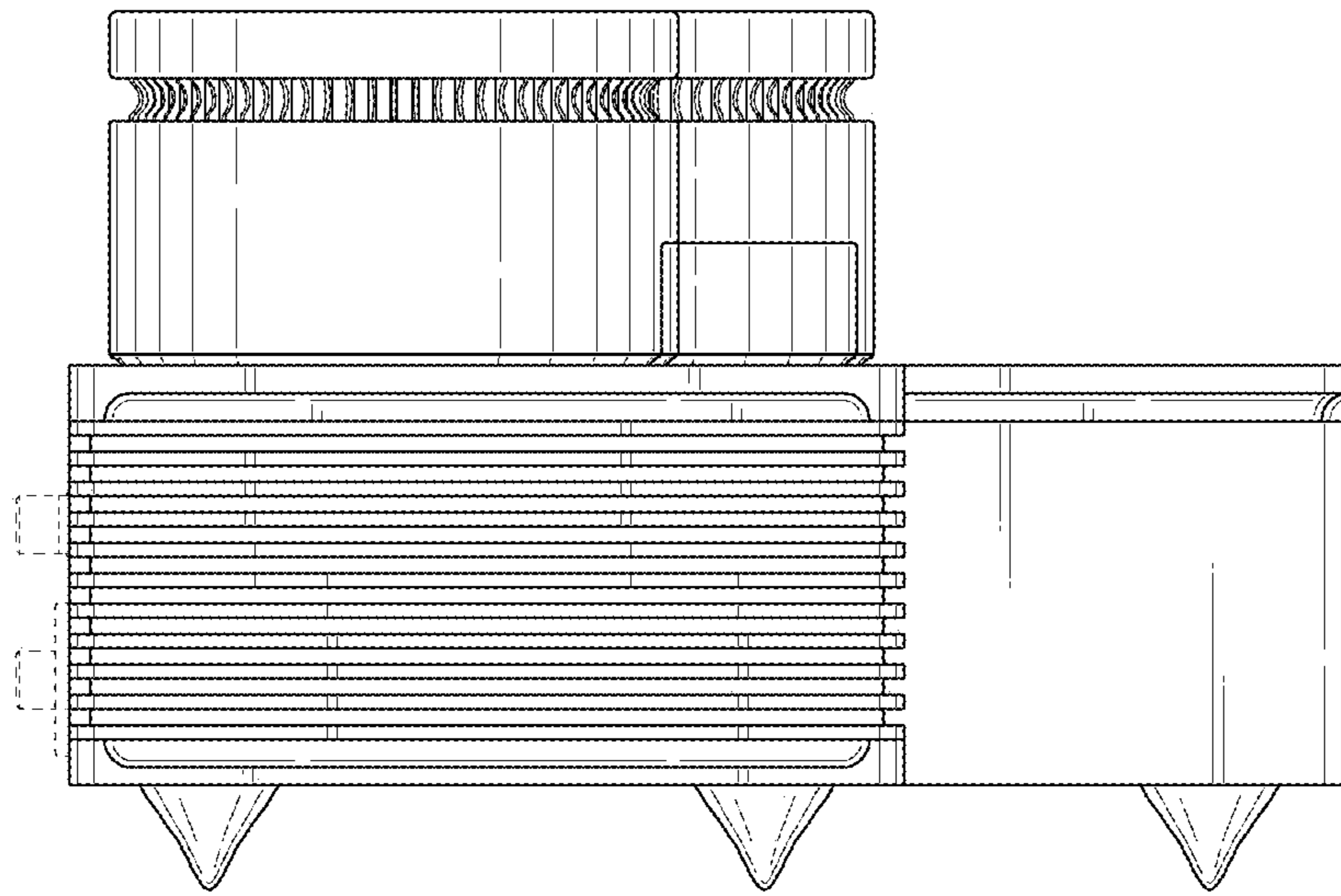


FIG. 4

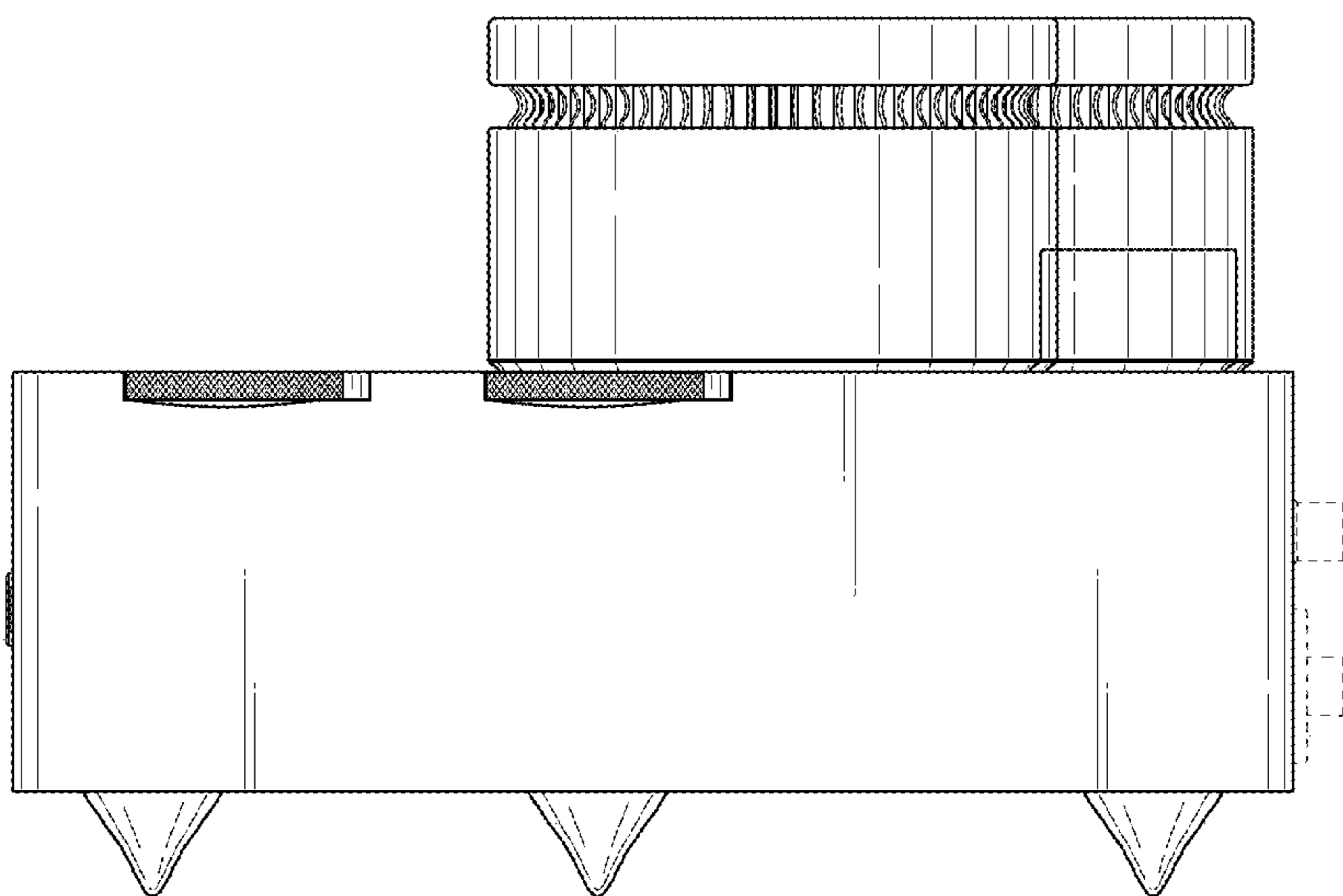


FIG. 5

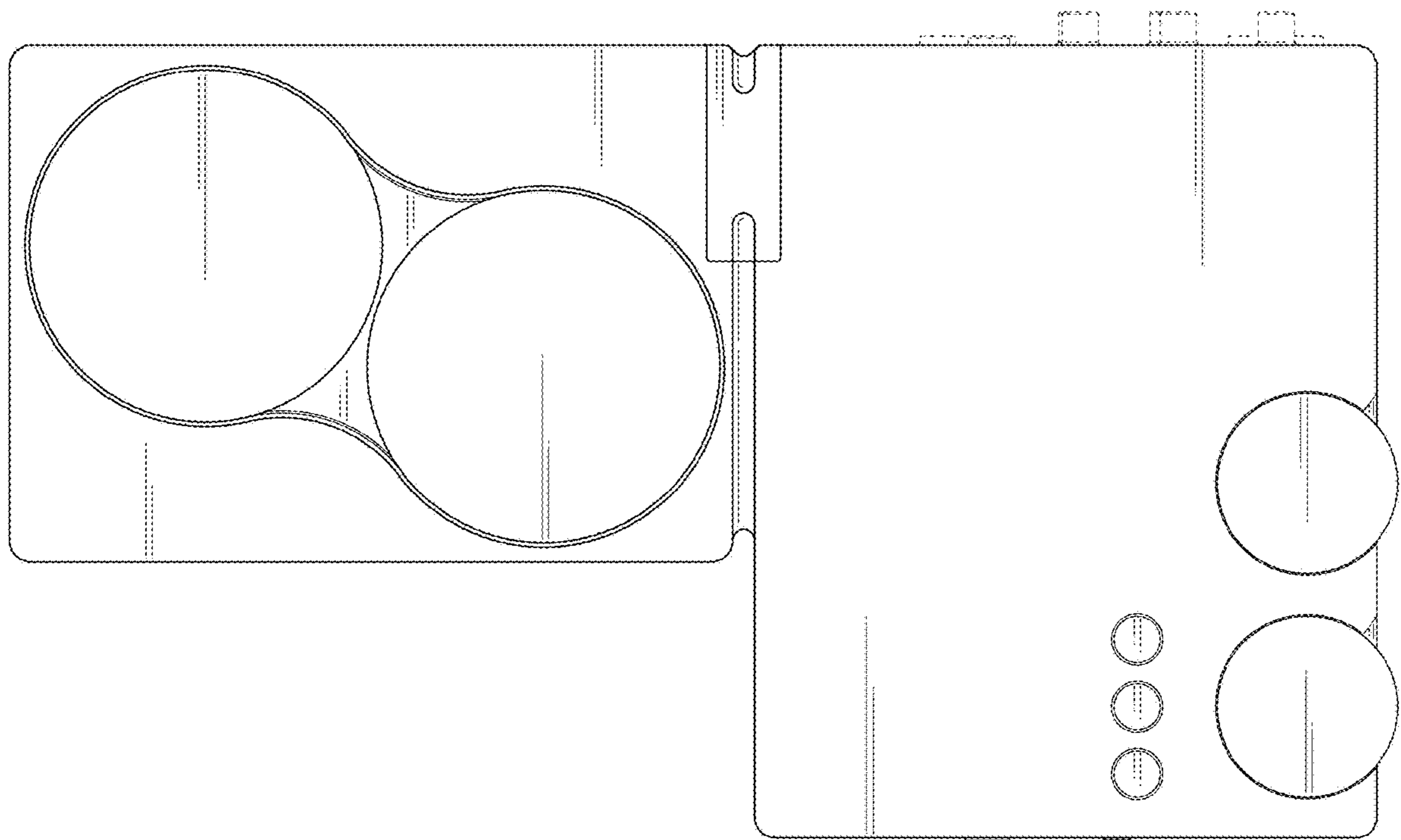


FIG. 6

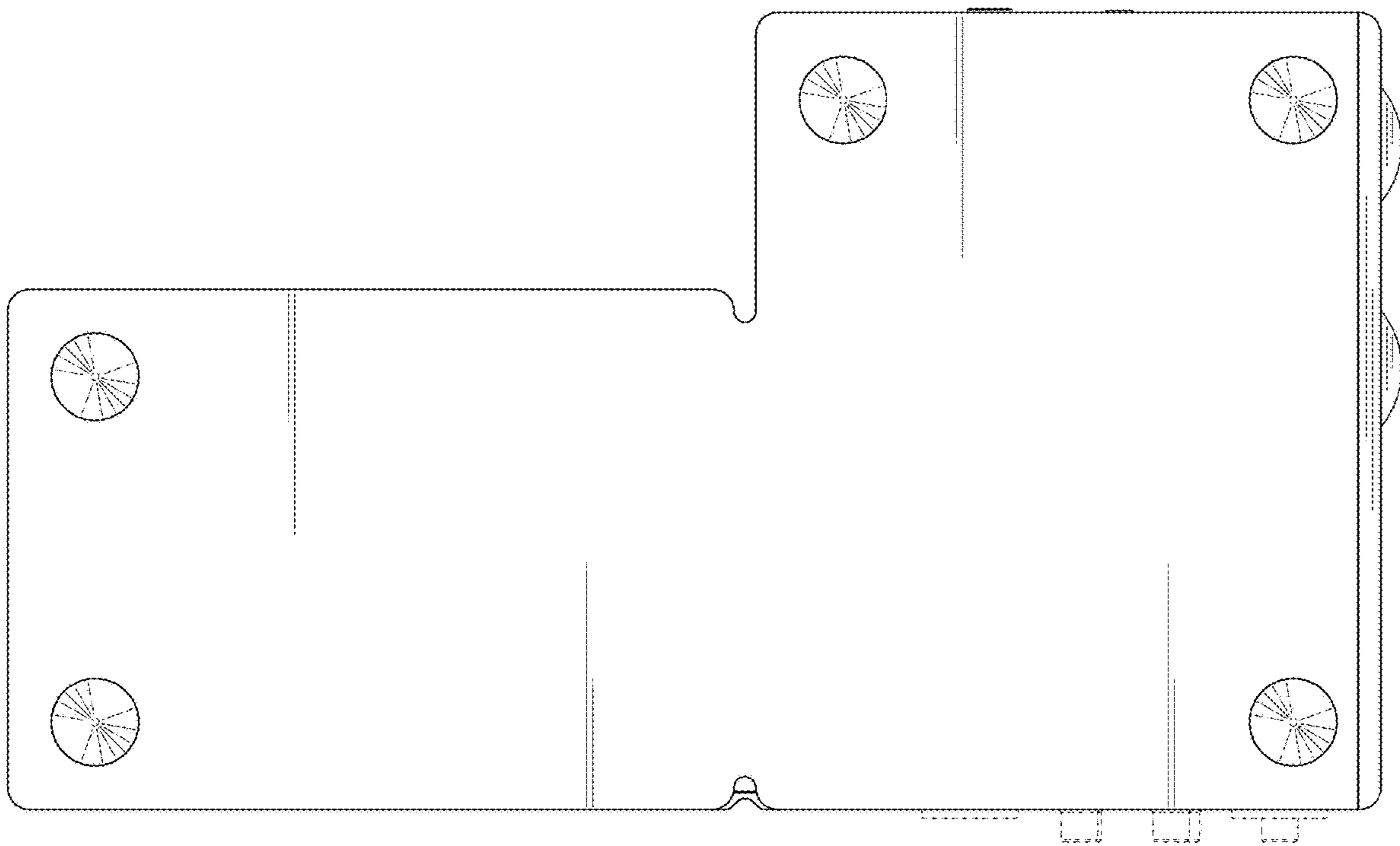


FIG. 7