



US00D902170S

(12) **United States Design Patent** (10) **Patent No.:** **US D902,170 S**
Jia (45) **Date of Patent:** **** Nov. 17, 2020**

(54) **WIRELESS TRANSMITTER**

(71) Applicant: **SWIFF TECHNOLOGY CO., LTD.**,
Shenzhen (CN)

(72) Inventor: **He Jia**, Shenzhen (CN)

(**) Term: **15 Years**

(21) Appl. No.: **29/691,405**

(22) Filed: **May 16, 2019**

(51) **LOC (12) Cl.** **14-03**

(52) **U.S. Cl.**
USPC **D14/155**

(58) **Field of Classification Search**
USPC D14/167, 154, 168, 188, 496, 156, 160,
D14/161, 162, 163, 164, 165, 158, 341,
D14/346, 342, 345, 137, 155, 218, 225;
D16/208; D26/38; 455/351, 350;
D10/104.1, 106, 65
CPC H04B 1/385; H04M 1/6091; H04M 1/6066
See application file for complete search history.

(56) **References Cited**

U.S. PATENT DOCUMENTS

D420,665 S * 2/2000 Rosenberg D14/188
D522,992 S * 6/2006 Dayan D14/155
D538,775 S * 3/2007 Dayan D14/155

D541,254 S * 4/2007 Dayan D14/155
D548,719 S * 8/2007 Dayan D14/155
D550,197 S * 9/2007 Dayan D14/155
D802,536 S * 11/2017 Shang D13/144
D864,144 S * 10/2019 Du D14/155
D871,362 S * 12/2019 Tang D14/155
D871,363 S * 12/2019 Tang D14/155
D873,233 S * 1/2020 Du D14/155
D873,234 S * 1/2020 Du D14/155
D876,412 S * 2/2020 Ueno D14/242

* cited by examiner

Primary Examiner — Austin Murphy

(57) **CLAIM**

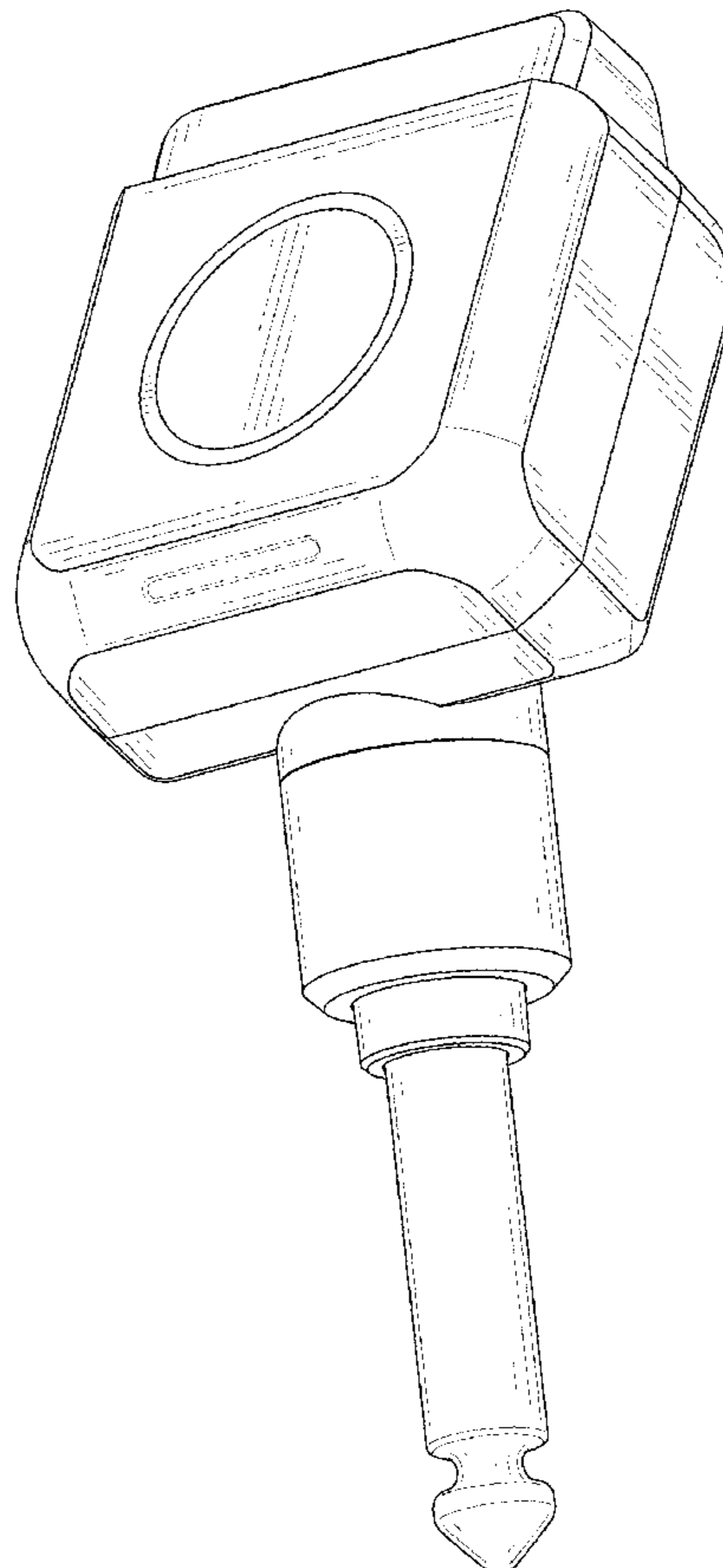
The ornamental design for a wireless transmitter, as shown and described.

DESCRIPTION

FIG. 1 is a first perspective view of a wireless transmitter showing my design;
FIG. 2 is a second perspective view thereof;
FIG. 3 is a front view thereof;
FIG. 4 is a back view thereof;
FIG. 5 is a left side view thereof;
FIG. 6 is a right side view thereof;
FIG. 7 is a top view thereof; and,
FIG. 8 is a bottom view thereof.

The broken lines shown in the drawings depict portions of the wireless transmitter in which the design is embodied that form no part of the claimed design.

1 Claim, 8 Drawing Sheets



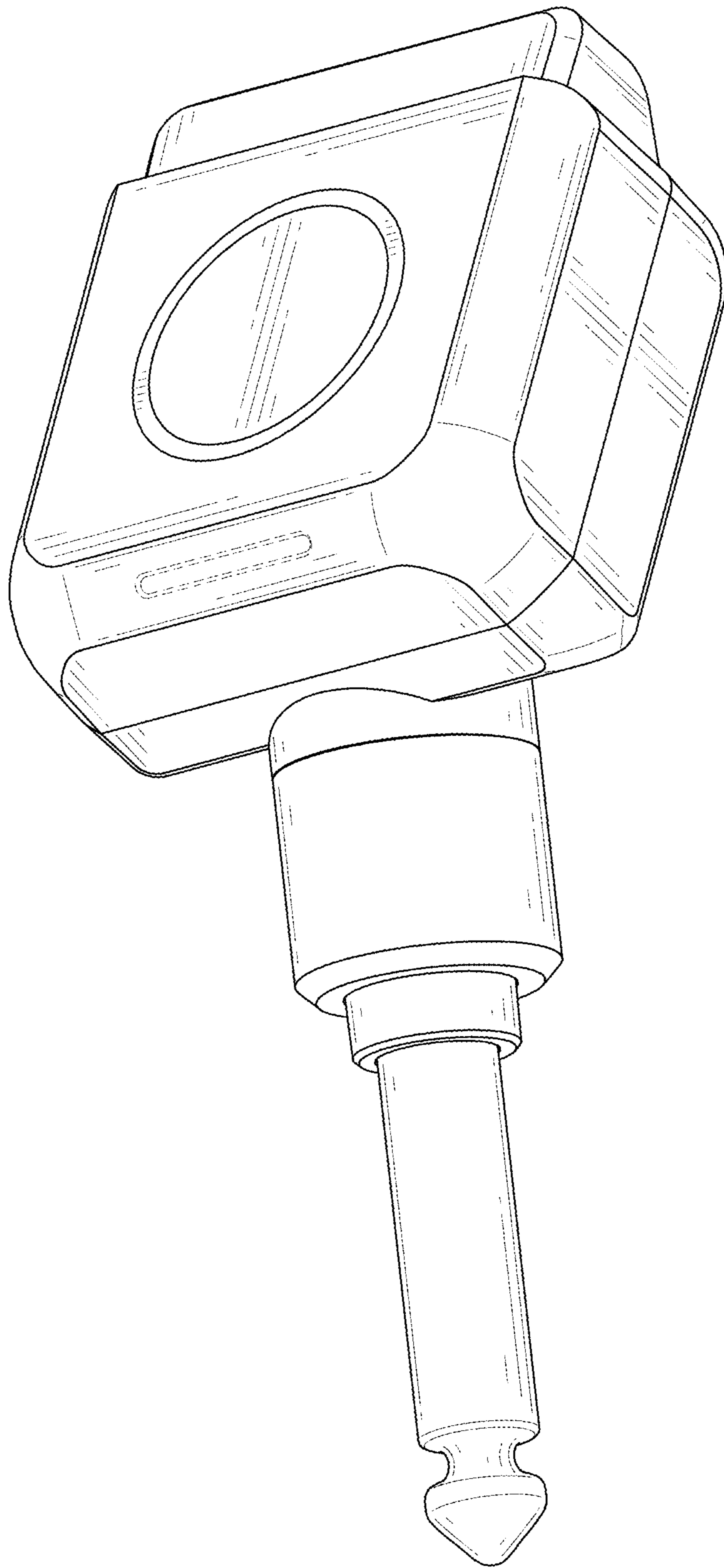


FIG. 1

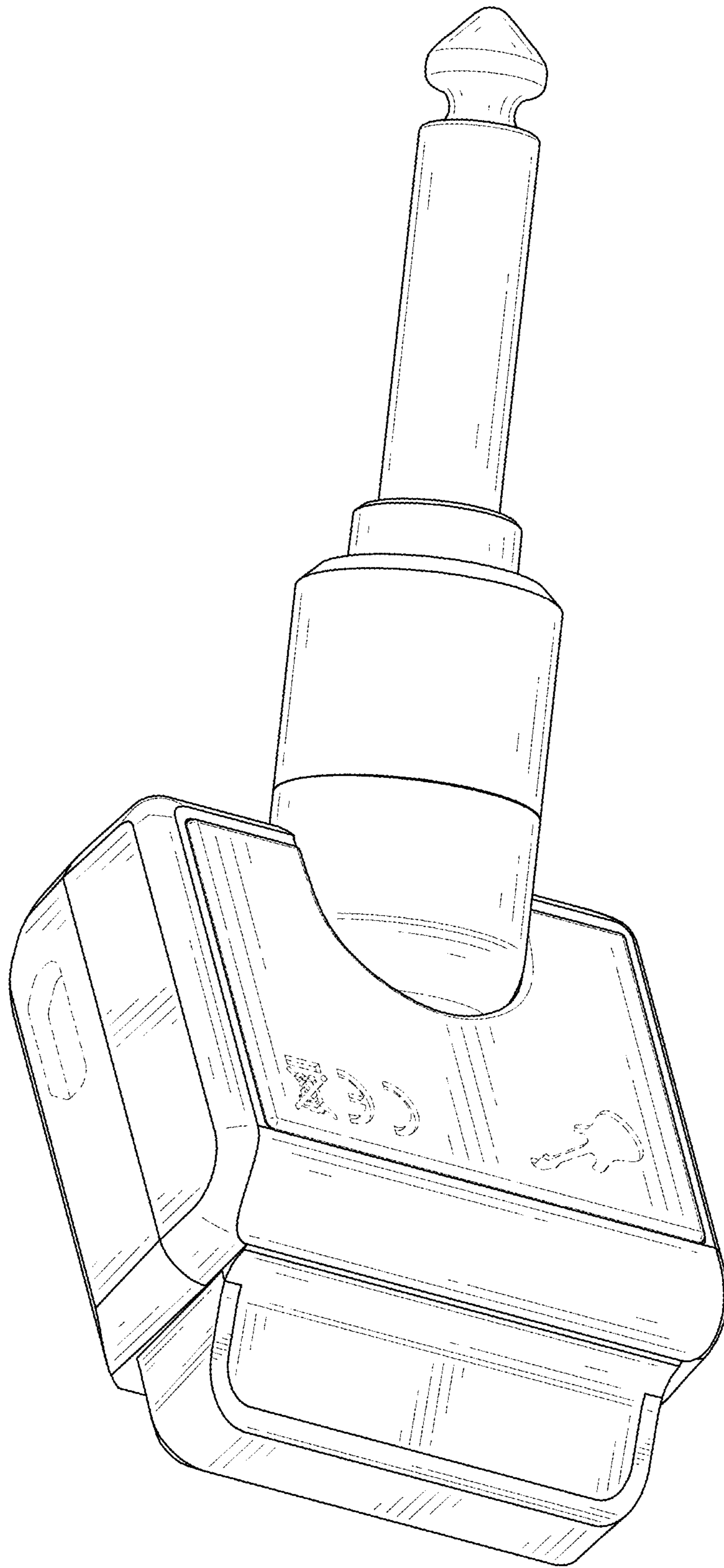


FIG. 2

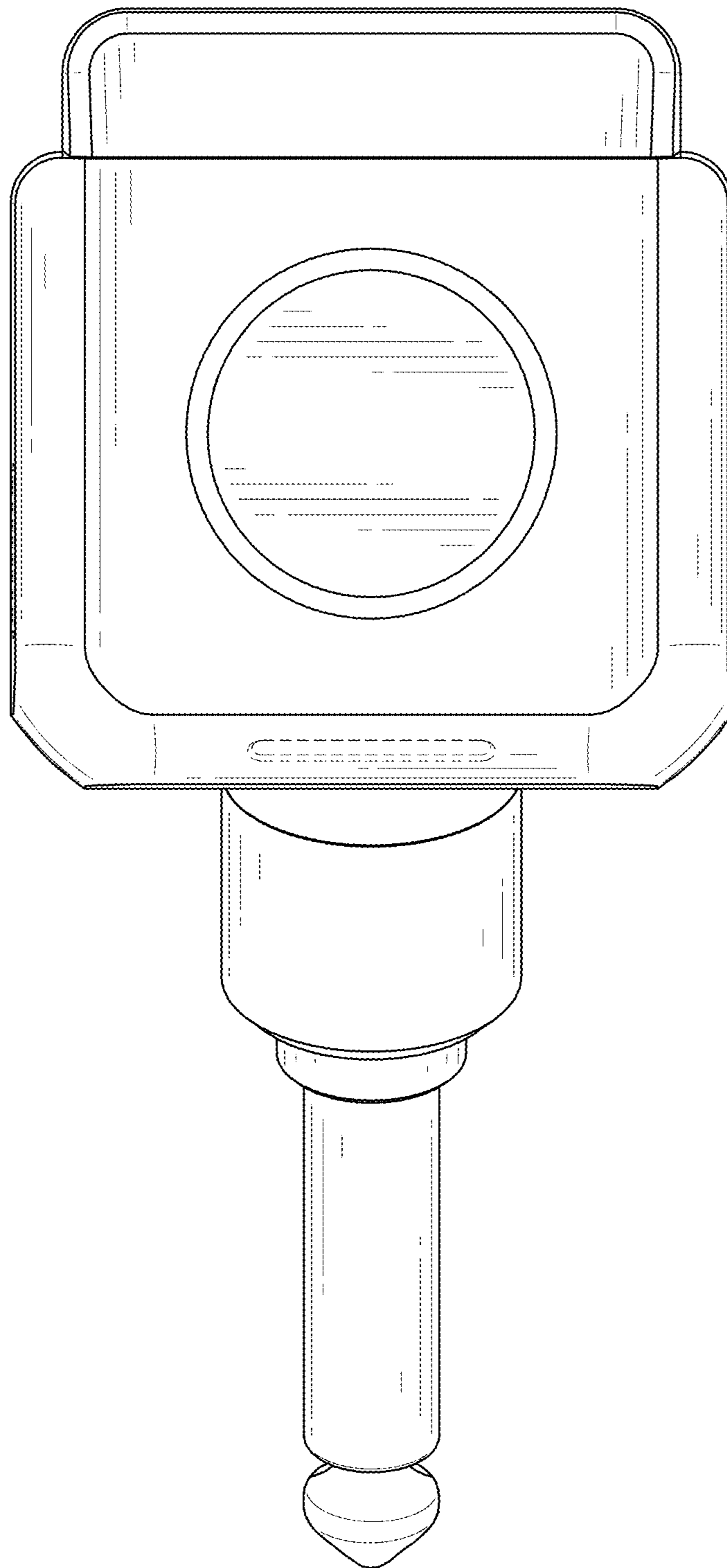


FIG. 3

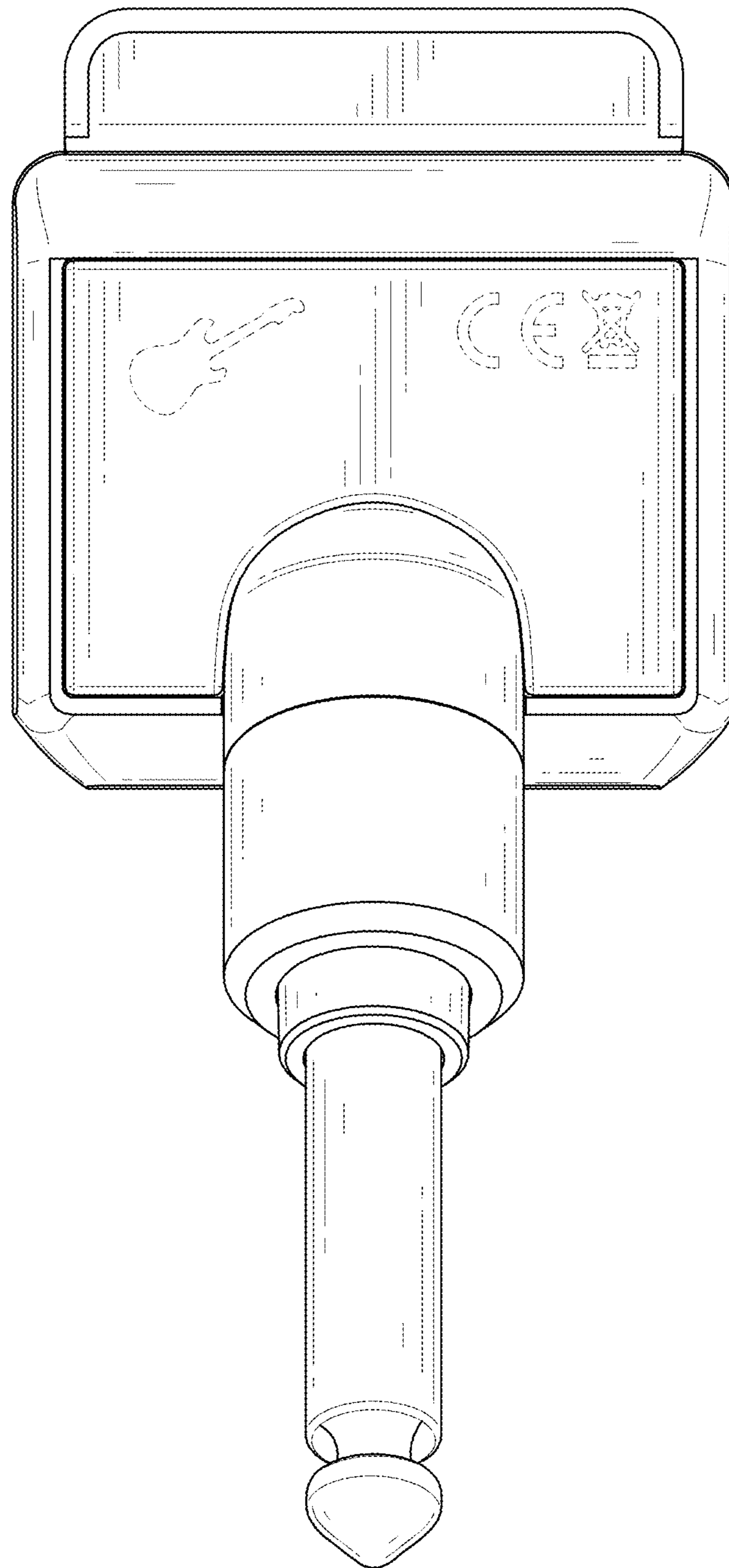


FIG. 4

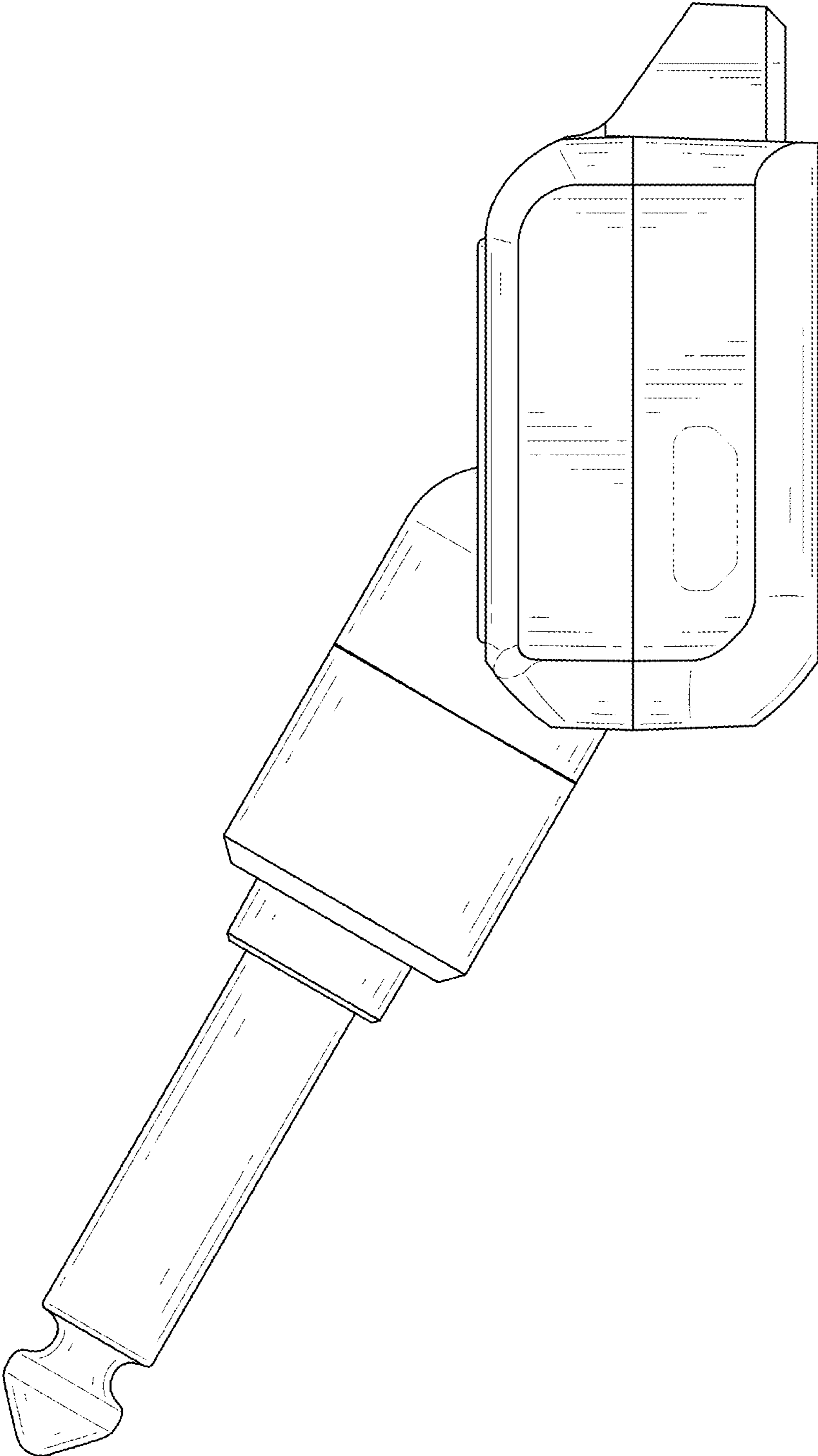


FIG. 5

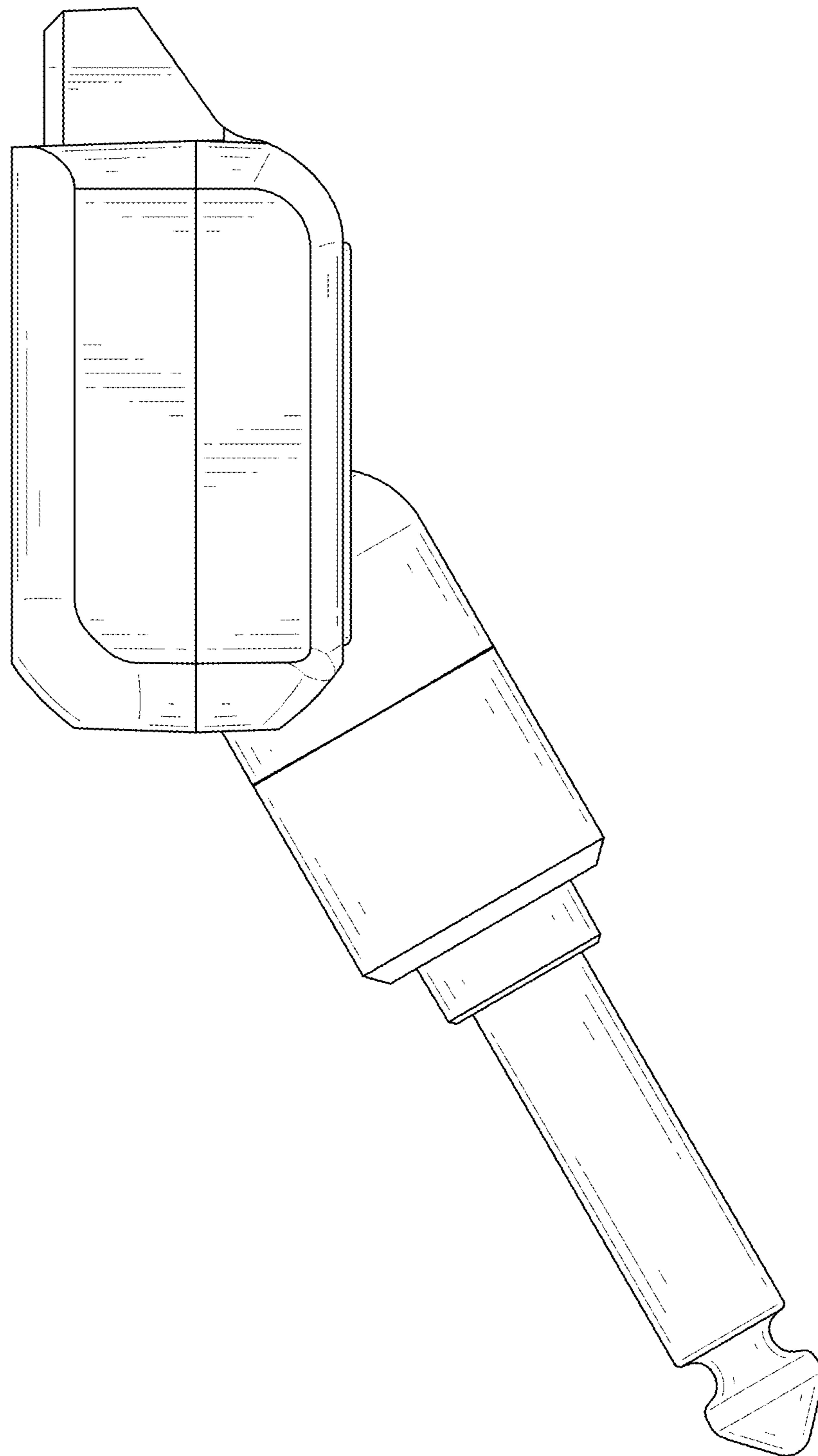


FIG. 6

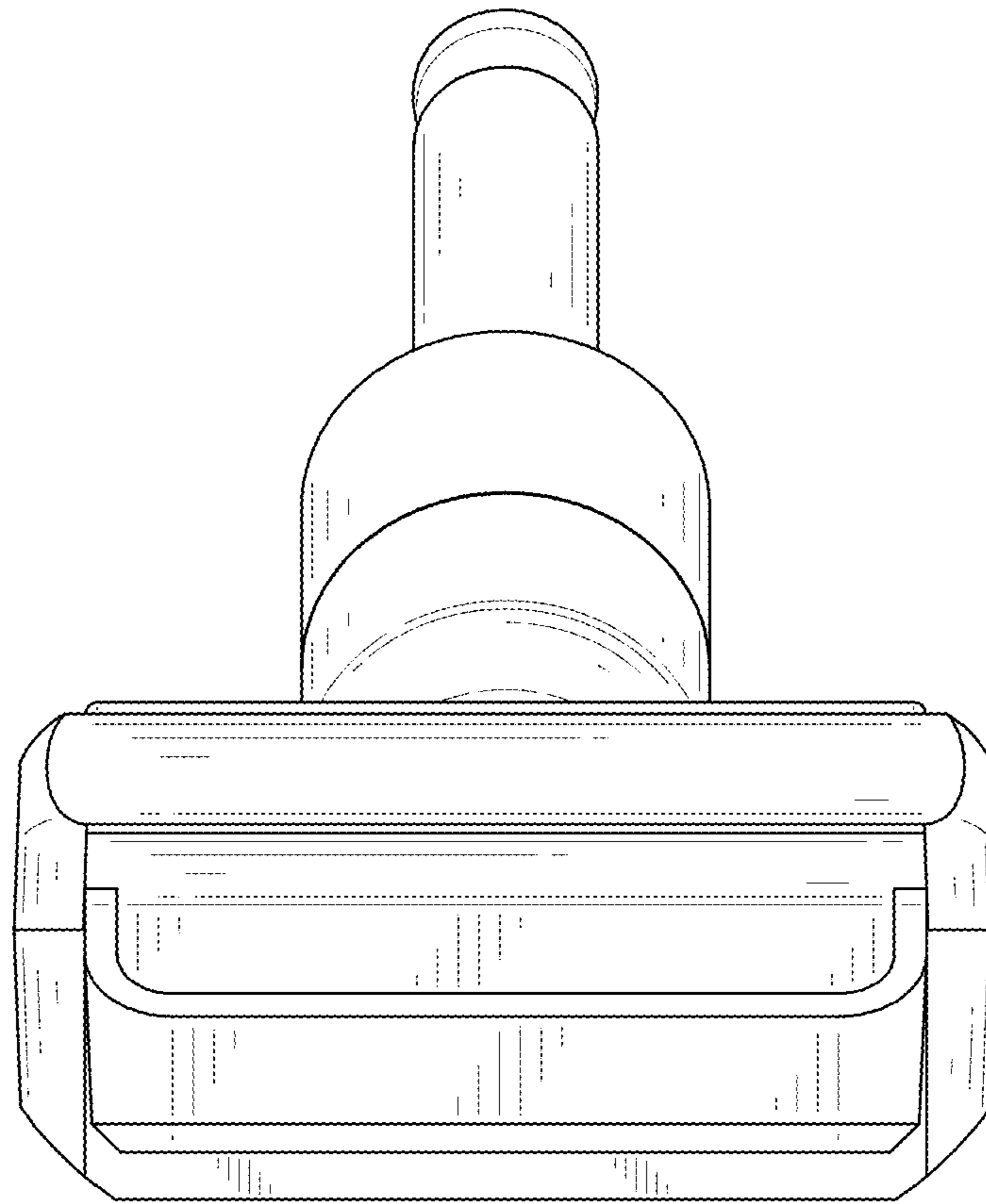


FIG. 7

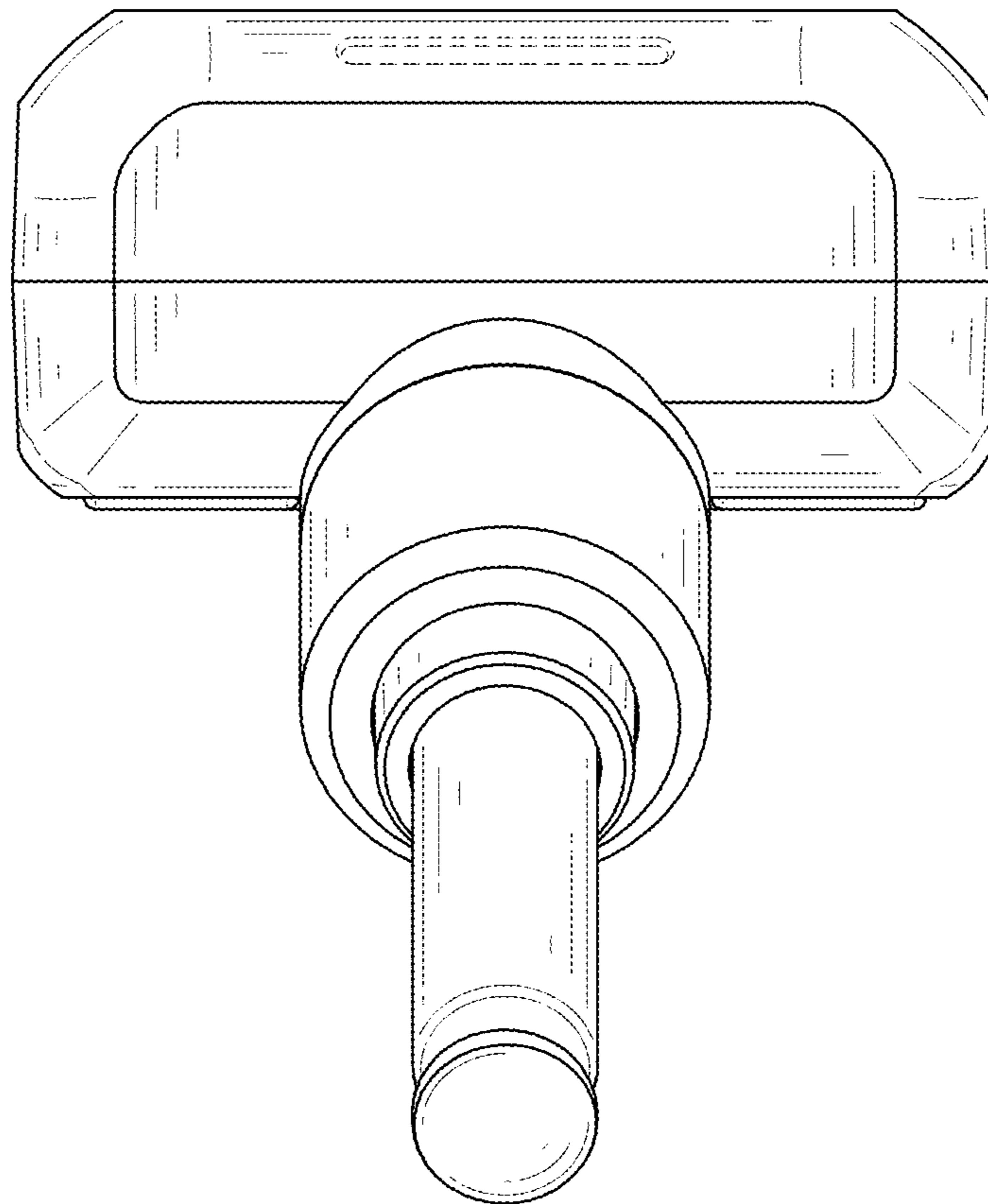


FIG. 8