



US00D902162S

(12) **United States Design Patent** (10) **Patent No.:** **US D902,162 S**
Koo (45) **Date of Patent:** **** Nov. 17, 2020**

(54) **TOUCHSCREEN DISPLAY DEVICE HAVING
A TOUCHSCREEN PUSH BUTTON**

(71) Applicant: **GTT CO., LTD.**, Paju-si (KR)

(72) Inventor: **Nam Kyu Koo**, Paju-si (KR)

(73) Assignee: **GTT CO., LTD.**, Paju-si (KR)

(**) Term: **15 Years**

(21) Appl. No.: **29/635,057**

(22) Filed: **Jan. 26, 2018**

(51) **LOC (12) Cl.** **13-03**

(52) **U.S. Cl.**
USPC **D13/171**

(58) **Field of Classification Search**
USPC D14/150, 247, 320, 331, 333, 346, 374,
D14/387, 390-399, 429, 455, 456, 258,
D14/388-390, 159; D10/52-53, 106.1,
D10/106.95, 123, 125; 341/22-23;
345/104, 156, 168; D13/162-162.1, 171;
D21/324-325, 329; D23/226; D8/310
CPC G06F 1/16; G06F 1/1616; H01R 35/02;
A63F 13/00; A63F 2300/1018; A63F
2300/1056; A63F 2009/2408; G07F
17/32; G07F 17/3209

See application file for complete search history.

(56) **References Cited**

U.S. PATENT DOCUMENTS

D70,376 S * 6/1926 Lighthipe D10/108
D131,157 S * 1/1942 Drake D10/103
2,415,297 A * 2/1947 Linton H01H 13/023
200/457
D185,631 S * 7/1959 Dreyfuss D13/171
D197,278 S * 1/1964 Stevenson D13/171
D201,801 S * 8/1965 Stevenson D13/171
D203,184 S * 12/1965 Stevenson D13/171
D210,024 S * 1/1968 Callender D13/171
D217,253 S * 4/1970 Doggart D13/171

D233,892 S * 12/1974 Kay D13/171
D256,012 S * 7/1980 Matsuda D13/171
D305,022 S * 12/1989 Hallgren D13/171
D316,249 S * 4/1991 King-Pei D13/167
D414,748 S * 10/1999 Pierson D13/171
D481,331 S * 10/2003 Matsui D11/220

(Continued)

OTHER PUBLICATIONS

Series 2 Button Display, GTT, gtt.co.kr, author not listed, published Sep. 17, 2018 per wayback machine © GTT Co., Ltd., online, site visited Jun. 16, 2019. Available from Internet, URL: <http://gtt.co.kr/en/product/casino.php> (Year: 2018).*

(Continued)

Primary Examiner — Marissa J Cash

Assistant Examiner — Altaira J Swangin

(74) *Attorney, Agent, or Firm* — Novick, Kim & Lee, PLLC; Jae Youn Kim; Hyun Woo Kim

(57) **CLAIM**

I claim, the ornamental design for a touchscreen display device having a touchscreen push button, as shown and described.

DESCRIPTION

FIG. 1 is a top, front, right perspective view of a touchscreen display device having a touchscreen push button showing my new design;

FIG. 2 is a top, rear, right perspective view thereof;

FIG. 3 is a front elevational view thereof;

FIG. 4 is a rear elevational view thereof;

FIG. 5 is a left side elevational view thereof;

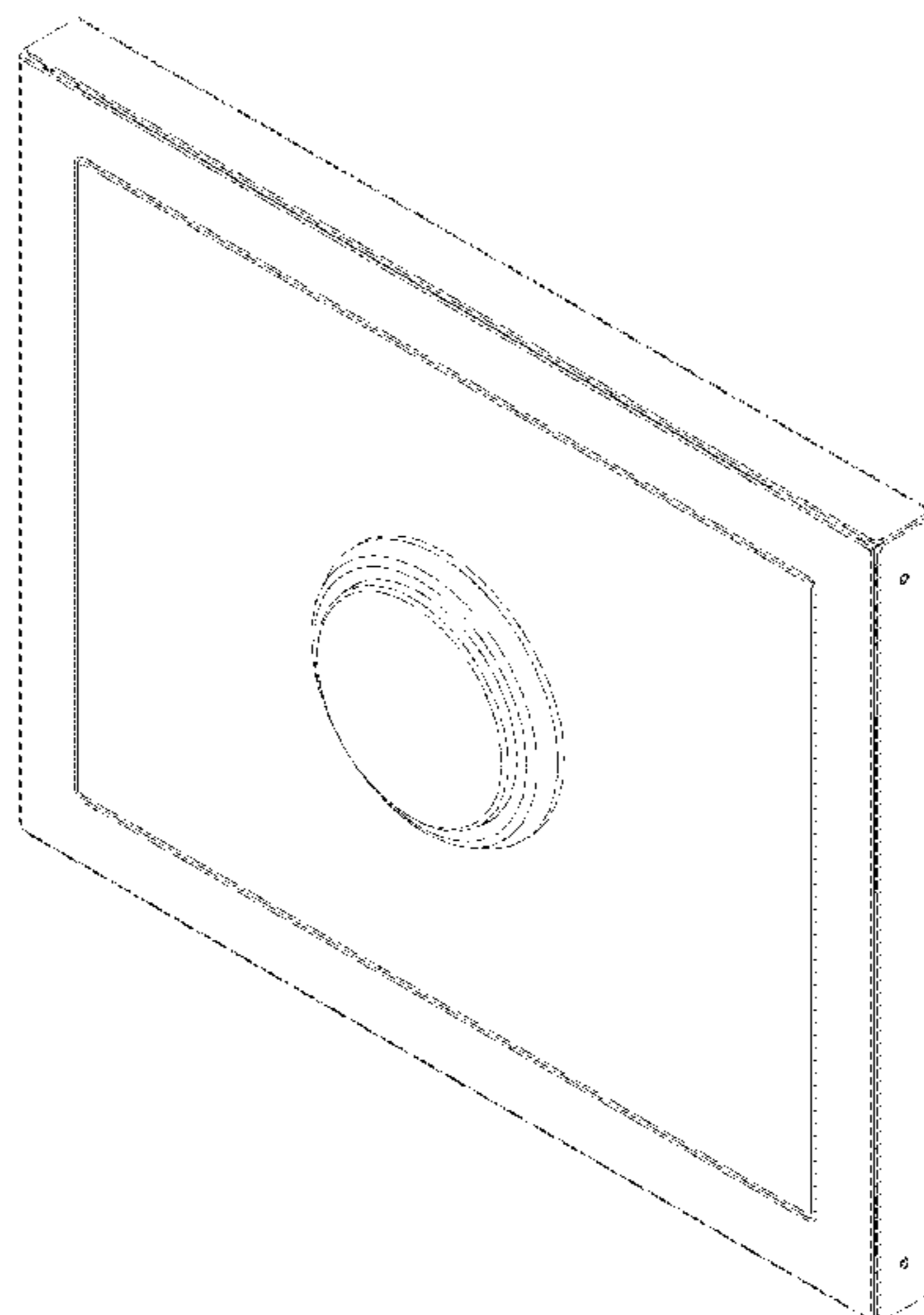
FIG. 6 is a right side elevational view thereof;

FIG. 7 is a top plan view thereof; and,

FIG. 8 is a bottom plan view thereof.

The broken lines in the drawings show portions of the touchscreen display device having a touchscreen push button which form no part of the claimed design.

1 Claim, 8 Drawing Sheets



(56)

References Cited

U.S. PATENT DOCUMENTS

D481,654 S * 11/2003 Matsui D11/220
 D482,298 S * 11/2003 Matsui D11/220
 D530,325 S * 10/2006 Kerila D14/356
 D533,144 S * 12/2006 Asada D13/171
 7,152,715 B2 * 12/2006 Meyer B66B 1/462
 187/391
 D562,264 S * 2/2008 Jeong D13/164
 D562,306 S * 2/2008 Jeong D14/159
 D588,069 S * 3/2009 Cummings D13/158
 D630,631 S * 1/2011 Hamilton D14/356
 D654,880 S * 2/2012 Lam D13/174
 D663,643 S * 7/2012 Saikawa D10/108
 D713,236 S * 9/2014 Park D8/310
 D714,230 S * 9/2014 Sun D13/171
 D721,349 S * 1/2015 Sugai D14/159
 D736,717 S * 8/2015 Duffy D13/162
 D761,754 S * 7/2016 Michielan D14/159
 D761,755 S * 7/2016 Michielan D14/159
 D771,039 S * 11/2016 Windstrup D14/356
 D786,791 S * 5/2017 Jeong D13/108
 D796,434 S * 9/2017 Li D13/108
 D800,087 S * 10/2017 Shanes D14/159
 D802,463 S * 11/2017 Siminoff D10/118.2
 D807,835 S * 1/2018 Alexander D13/174
 D815,052 S * 4/2018 Schindler D13/162
 D816,528 S * 5/2018 Wen D10/118.2
 D820,706 S * 6/2018 Siminoff D10/118.2
 D826,938 S * 8/2018 Son D14/388
 D827,645 S * 9/2018 Raken D14/388
 D829,209 S * 9/2018 Zheng D14/388

D839,847 S * 2/2019 Dimberg D13/171
 D840,856 S * 2/2019 Scalisi D10/118.2
 D840,857 S * 2/2019 Scalisi D10/118.2
 D840,858 S * 2/2019 Siminoff D10/118.2
 D840,956 S * 2/2019 Wiese D13/173
 D842,263 S * 3/2019 Takahata D14/159
 D845,931 S * 4/2019 Kosuge D14/218
 D846,508 S * 4/2019 Dimberg D13/171
 D852,077 S * 6/2019 Seaberry D10/118
 D852,663 S * 7/2019 Bard D10/103
 D866,490 S * 11/2019 Bard D13/174
 D868,724 S * 12/2019 Xie D14/159
 D874,950 S * 2/2020 Gentle D10/50
 D878,309 S * 3/2020 Altonen D13/171
 D878,310 S * 3/2020 Dimberg D13/171
 D879,055 S * 3/2020 Altonen D13/171
 2019/0252137 A1 * 8/2019 McDonald H01H 13/04

OTHER PUBLICATIONS

Smart LED Light Switch, WINTEK, toastedcircuits.com, author not listed, published Jan. 29, 2019 per wayback machine © 2020 Lightuino5 Blog, online, site visited Jan. 9, 2020. Available from Internet, URL: [https://www.toastedcircuits.com/armored-glass-plate-panel-cover-smart-home-dimmer-control . . .](https://www.toastedcircuits.com/armored-glass-plate-panel-cover-smart-home-dimmer-control...) (Year: 2019).*

Smart Wifi Light Switch, Smartplex Home, amazon.com, published by Smartplex Home on Jan. 2, 2019 © 1996-2019 Amazon.com, Inc., online, site visited Jan. 9, 2020. Available from Internet, URL: <https://www.amazon.com/Smart-Wifi-Light-Switch-Wall/dp/B07MPP13F3> (Year: 2019).*

* cited by examiner

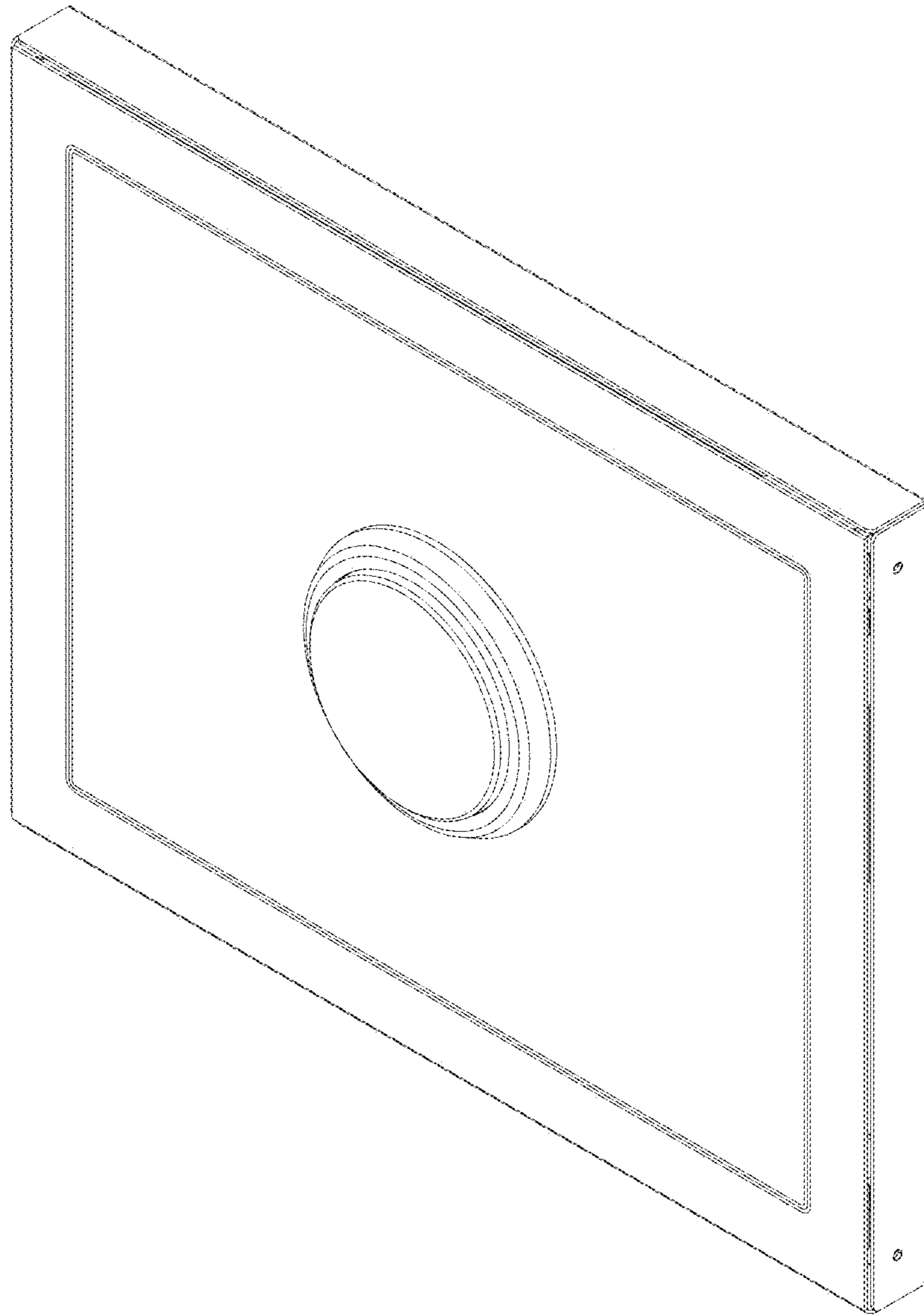


FIG. 1

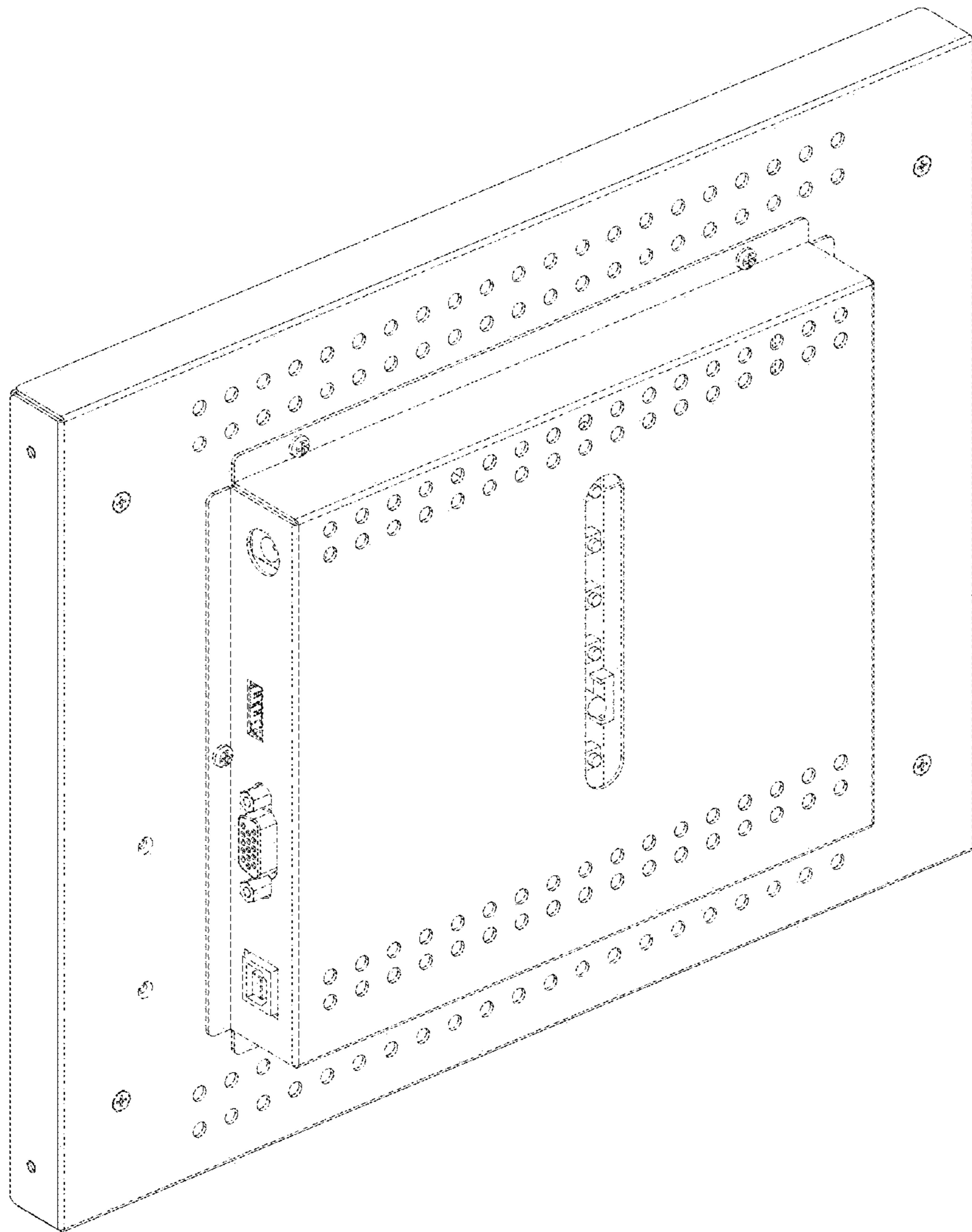


FIG. 2

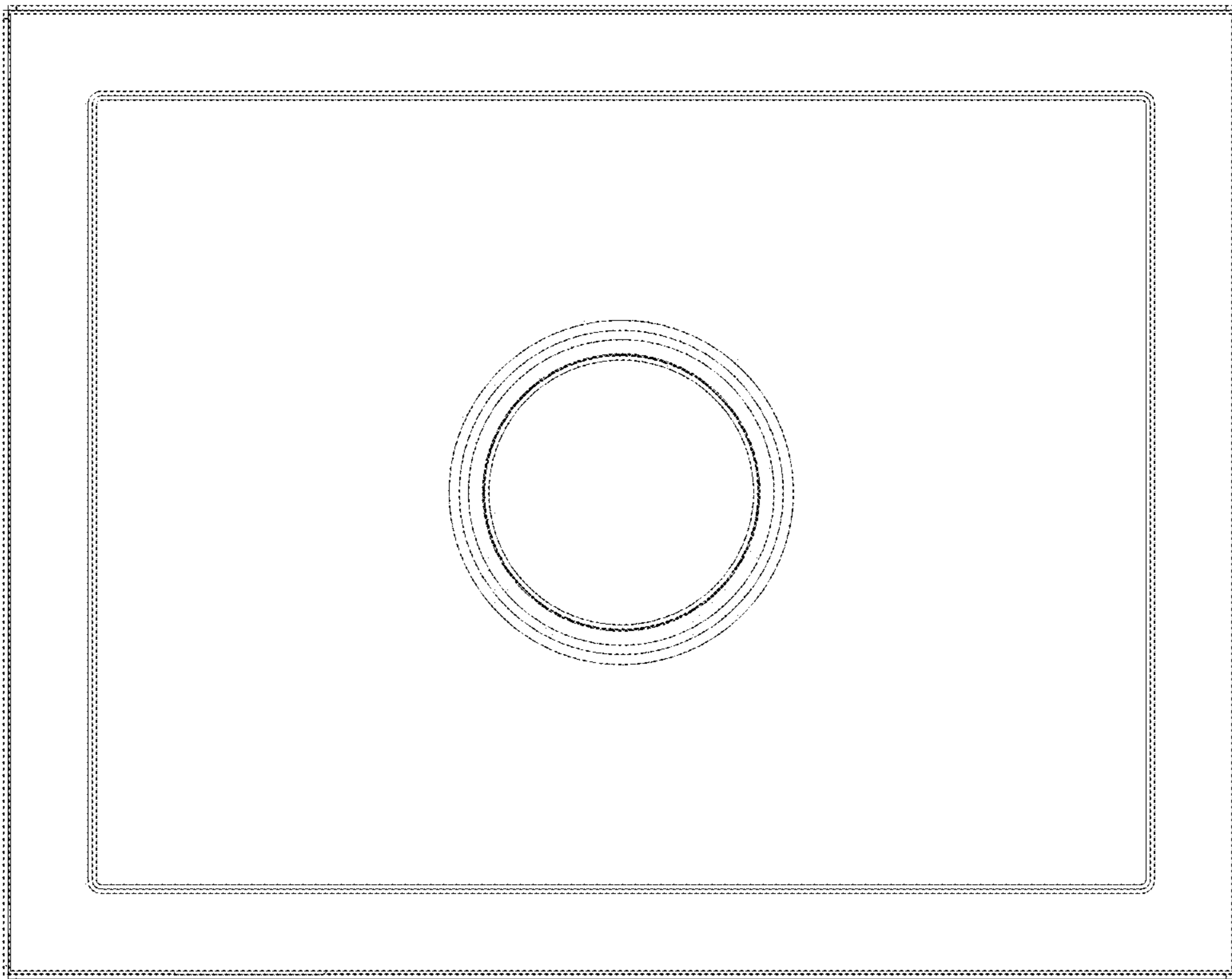


FIG. 3

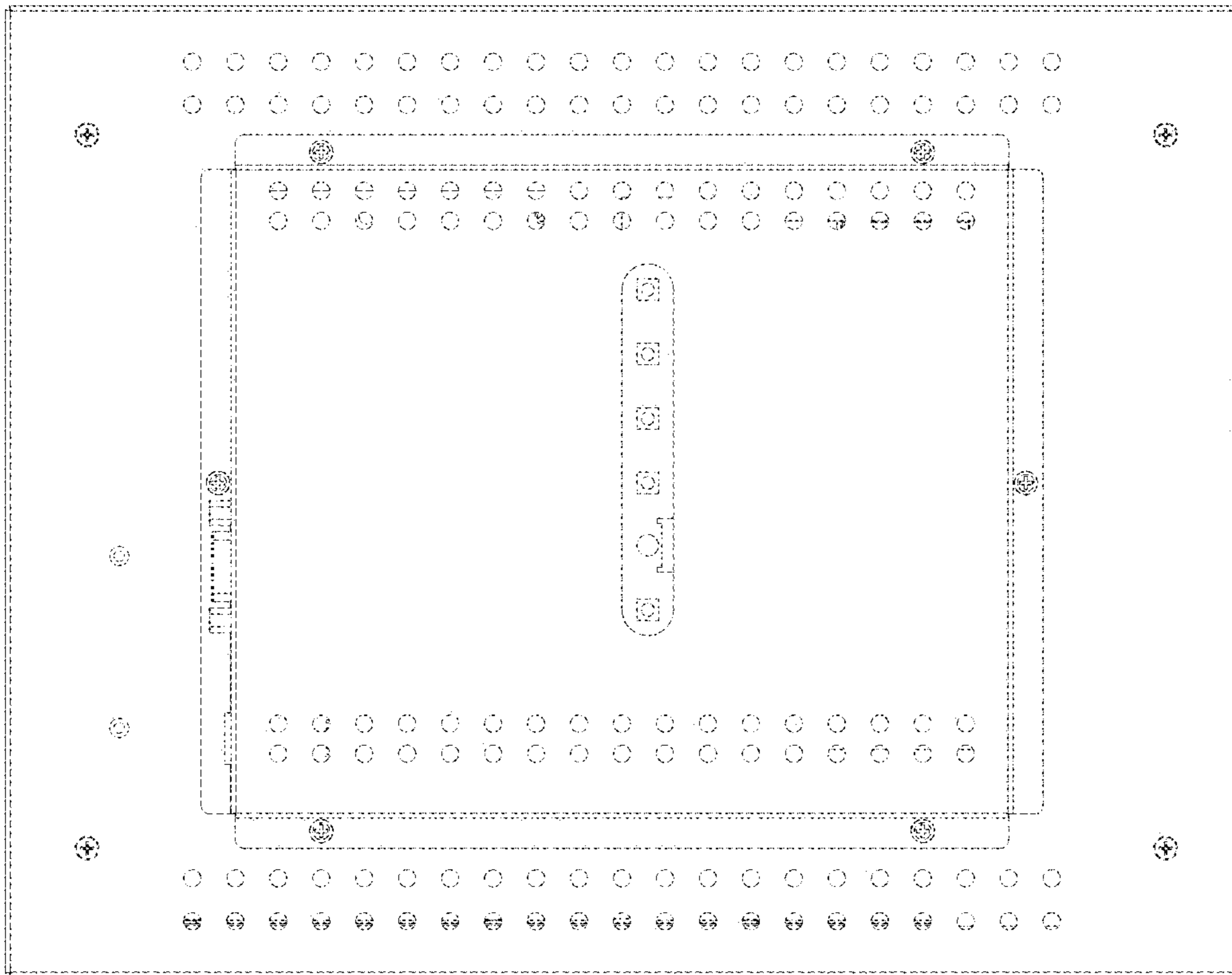


FIG. 4

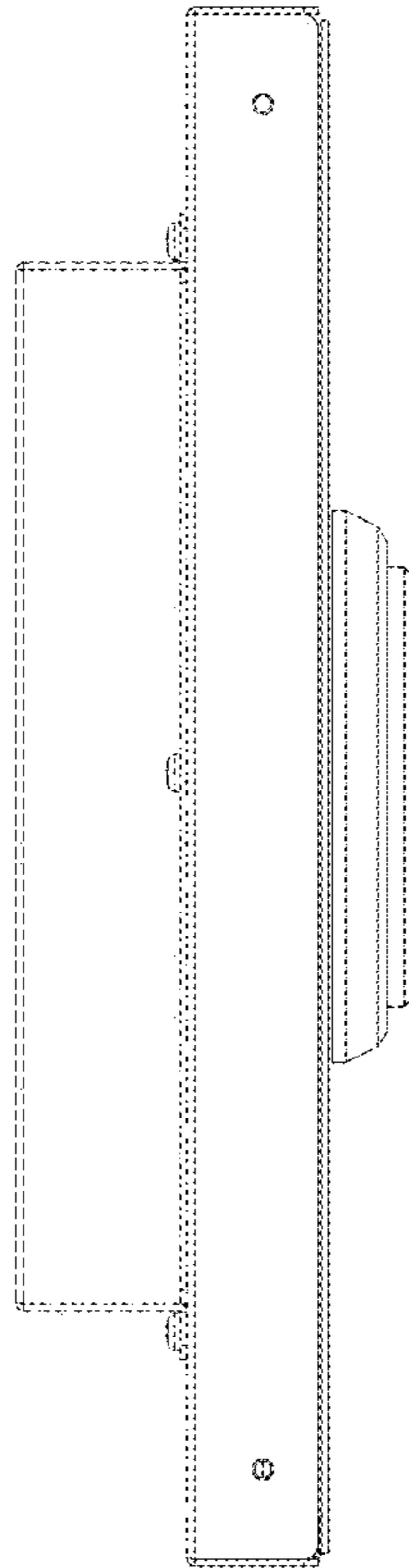


FIG. 5

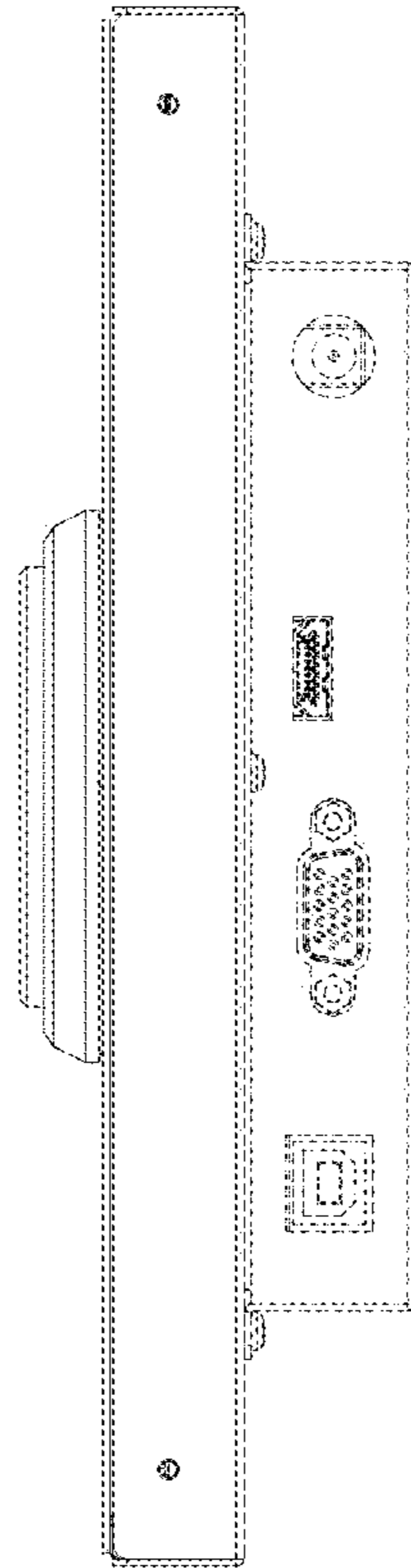


FIG. 6

REPLACEMENT SHEET

Application No. 29/635,057

Docket No. DK3552382

7/8

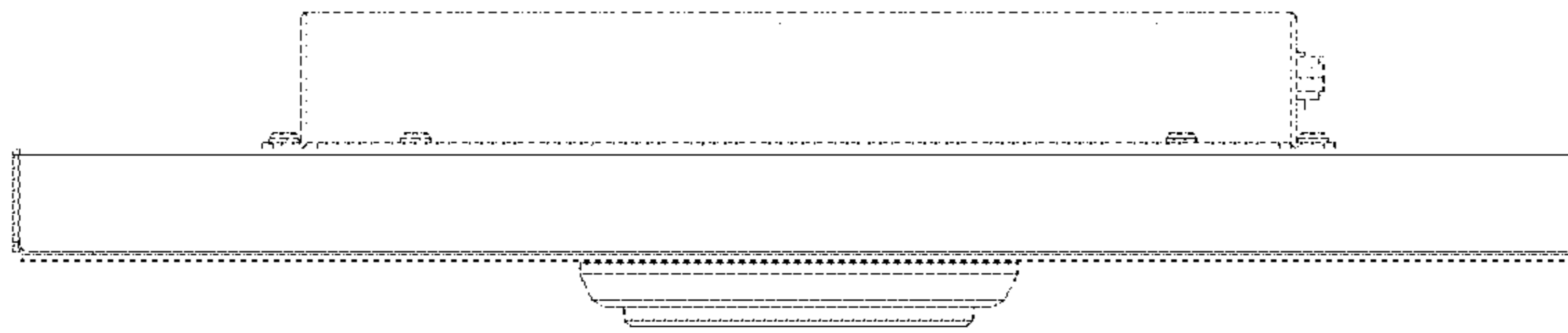


FIG. 7

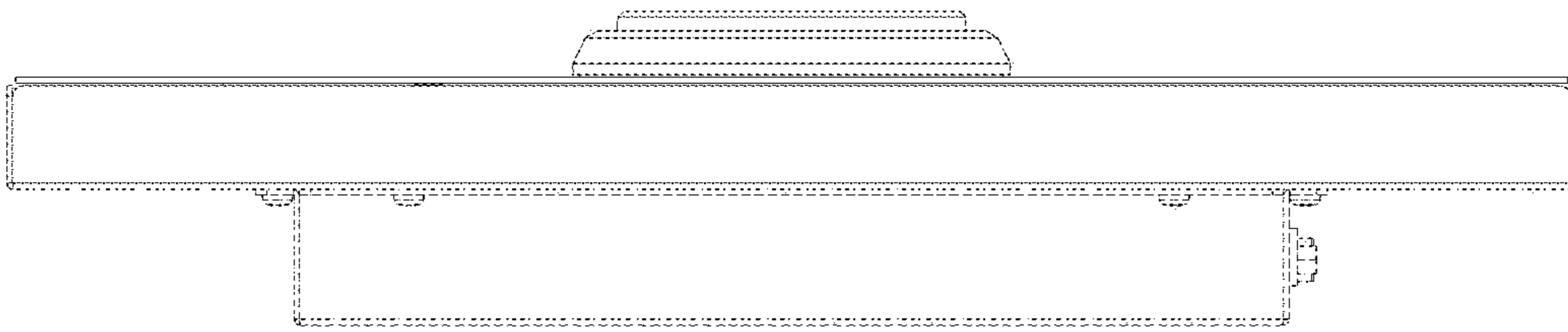


FIG. 8