



US00D902159S

(12) **United States Design Patent**  
**Kodaira et al.**

(10) **Patent No.:** **US D902,159 S**

(45) **Date of Patent:** **\*\* Nov. 17, 2020**

(54) **HOUSING FOR ELECTRICAL CONNECTOR**

(71) Applicant: **Yazaki Corporation**, Tokyo (JP)

(72) Inventors: **Erika Kodaira**, Utsunomiya (JP);  
**Tomoyuki Miyakawa**, Utsunomiya (JP);  
**Tomoyoshi Fukaya**, Utsunomiya (JP)

(73) Assignee: **YAZAKI CORPORATION**, Tokyo (JP)

(\*\*) Term: **15 Years**

(21) Appl. No.: **29/707,127**

(22) Filed: **Sep. 26, 2019**

(30) **Foreign Application Priority Data**

Mar. 27, 2019 (JP) ..... 2019-006506

(51) **LOC (12) Cl.** ..... **13-03**

(52) **U.S. Cl.**  
USPC ..... **D13/147**

(58) **Field of Classification Search**  
USPC ..... D13/110, 118, 123, 133, 146, 147, 149,  
D13/154, 173, 184, 199  
CPC ..... H01R 13/42; H01R 13/436; H01R 13/52;  
H01R 13/53; H01R 13/64; H01R 13/648;  
H01R 13/73; H01R 24/20  
See application file for complete search history.

(56) **References Cited**

**U.S. PATENT DOCUMENTS**

5,752,854 A \* 5/1998 Capp ..... H01R 13/743  
439/607.28  
D426,193 S \* 6/2000 Yeh ..... D13/147  
D441,718 S \* 5/2001 Weng ..... D13/147  
D454,336 S \* 3/2002 Manchester ..... D13/147  
D459,310 S \* 6/2002 Tanaka ..... D13/147

D526,964 S \* 8/2006 Chien Chiu ..... D13/147  
D526,965 S \* 8/2006 Chien Chiu ..... D13/147  
D593,952 S \* 6/2009 Derksen ..... D13/147  
D747,274 S \* 1/2016 Teranishi ..... D13/147  
D751,990 S \* 3/2016 Ikeda ..... D13/147  
D856,178 S \* 8/2019 Hou ..... D10/80  
2001/0023151 A1 \* 9/2001 Yoshida ..... H01R 13/6272  
439/680  
2004/0058583 A1 \* 3/2004 Zhang ..... H01R 12/727  
439/607.22

**FOREIGN PATENT DOCUMENTS**

JP 972059 S 1/1997

\* cited by examiner

*Primary Examiner* — Angela J Lee

*Assistant Examiner* — Shawn T Gingrich

(74) *Attorney, Agent, or Firm* — Sughrue Mion, PLLC

(57) **CLAIM**

The ornamental design for a housing for electrical connector, as shown and described.

**DESCRIPTION**

FIG. 1 is a perspective view of right, front, and top of a housing for electrical connector showing my new design; FIG. 2 is a perspective view of right, rear, and top thereof; FIG. 3 is a perspective view of right, front, and bottom thereof; FIG. 4 is a front view thereof; FIG. 5 is a rear view thereof; FIG. 6 is a left side view thereof; FIG. 7 is a right side view thereof; FIG. 8 is a top view thereof; and FIG. 9 is a bottom view thereof; and, FIG. 10 is a reference view of usage thereof. The broken lines illustrate portions of the housing for electrical connector that form no part of the claimed design.

**1 Claim, 9 Drawing Sheets**

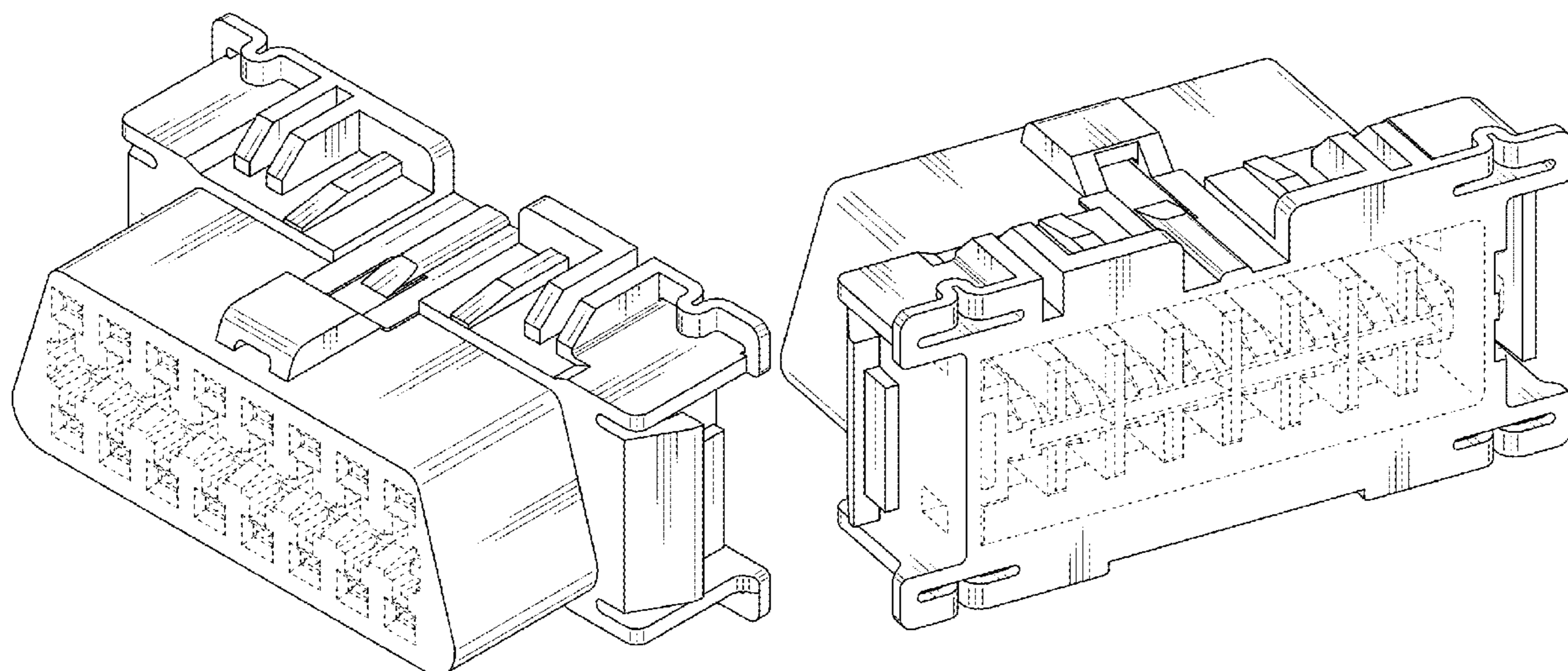


FIG. 1

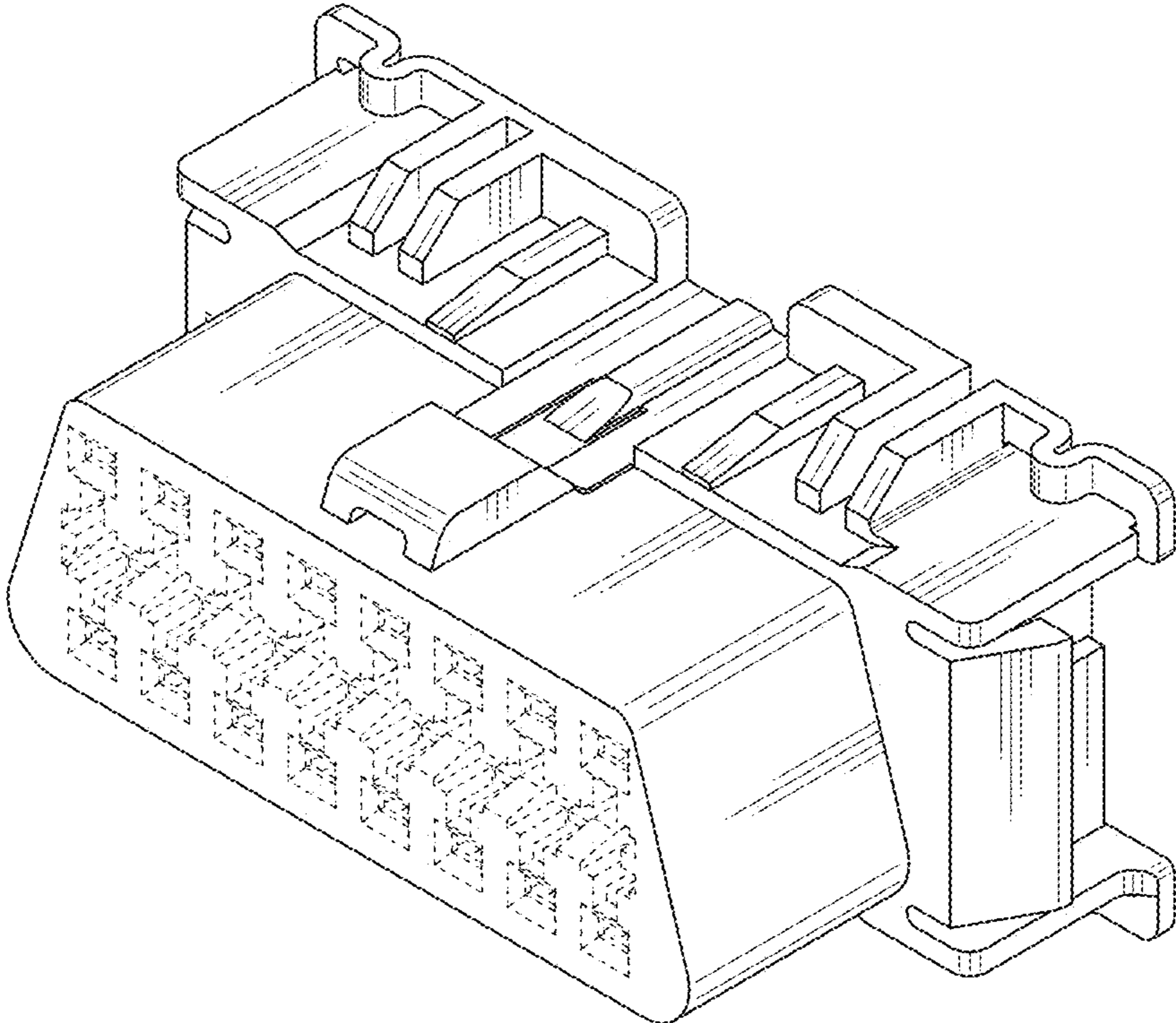


FIG. 2

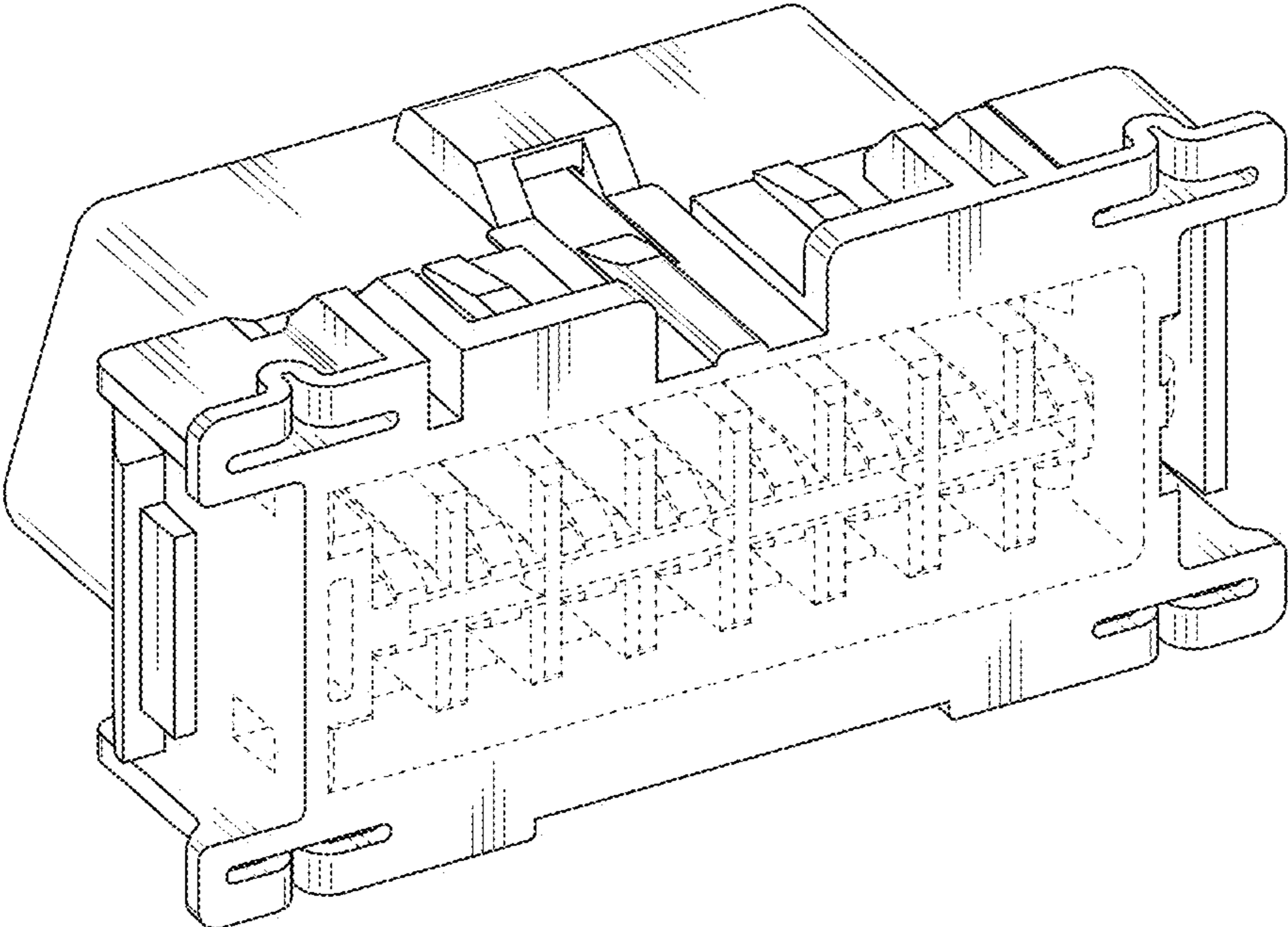




FIG. 3

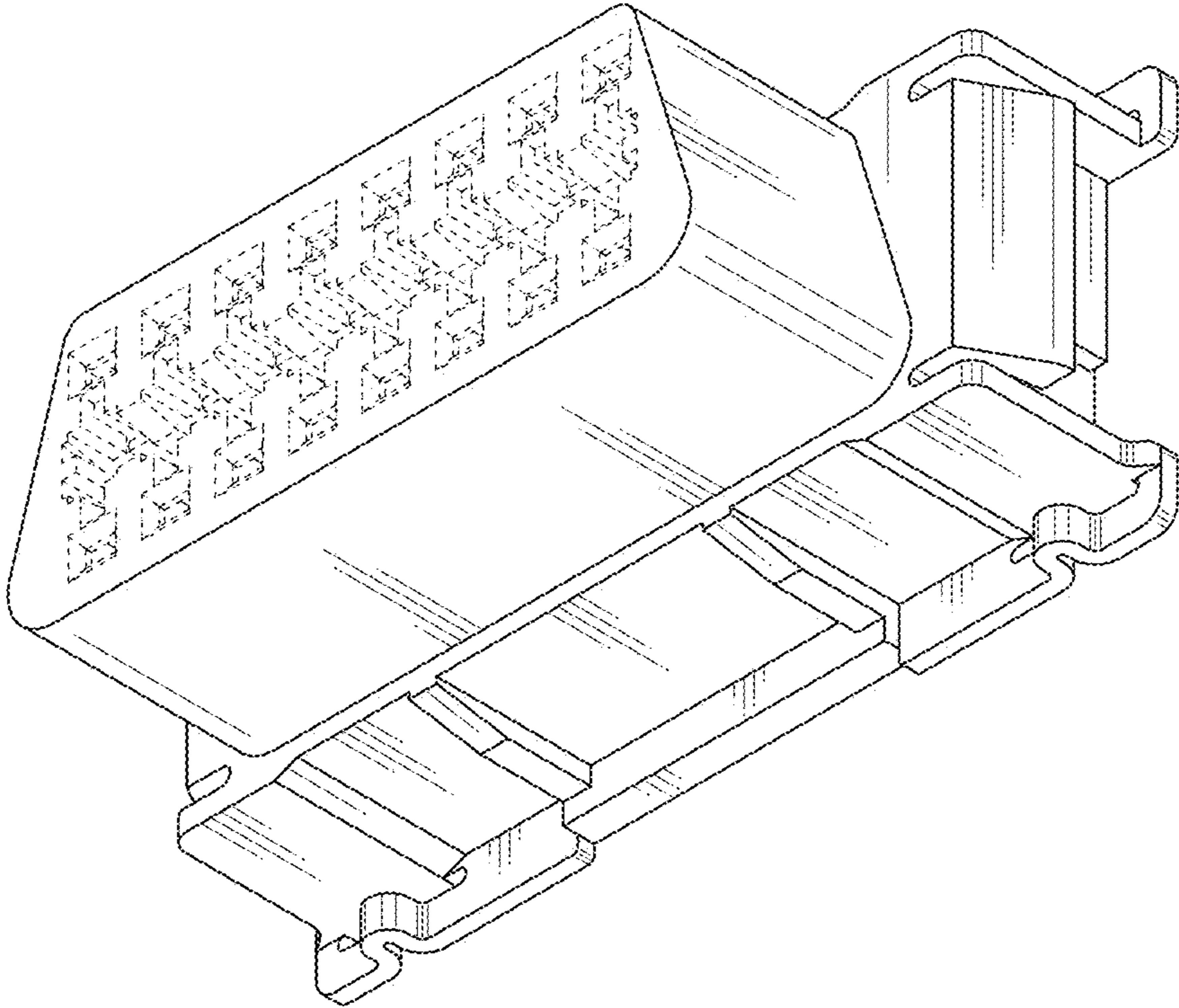


FIG. 4

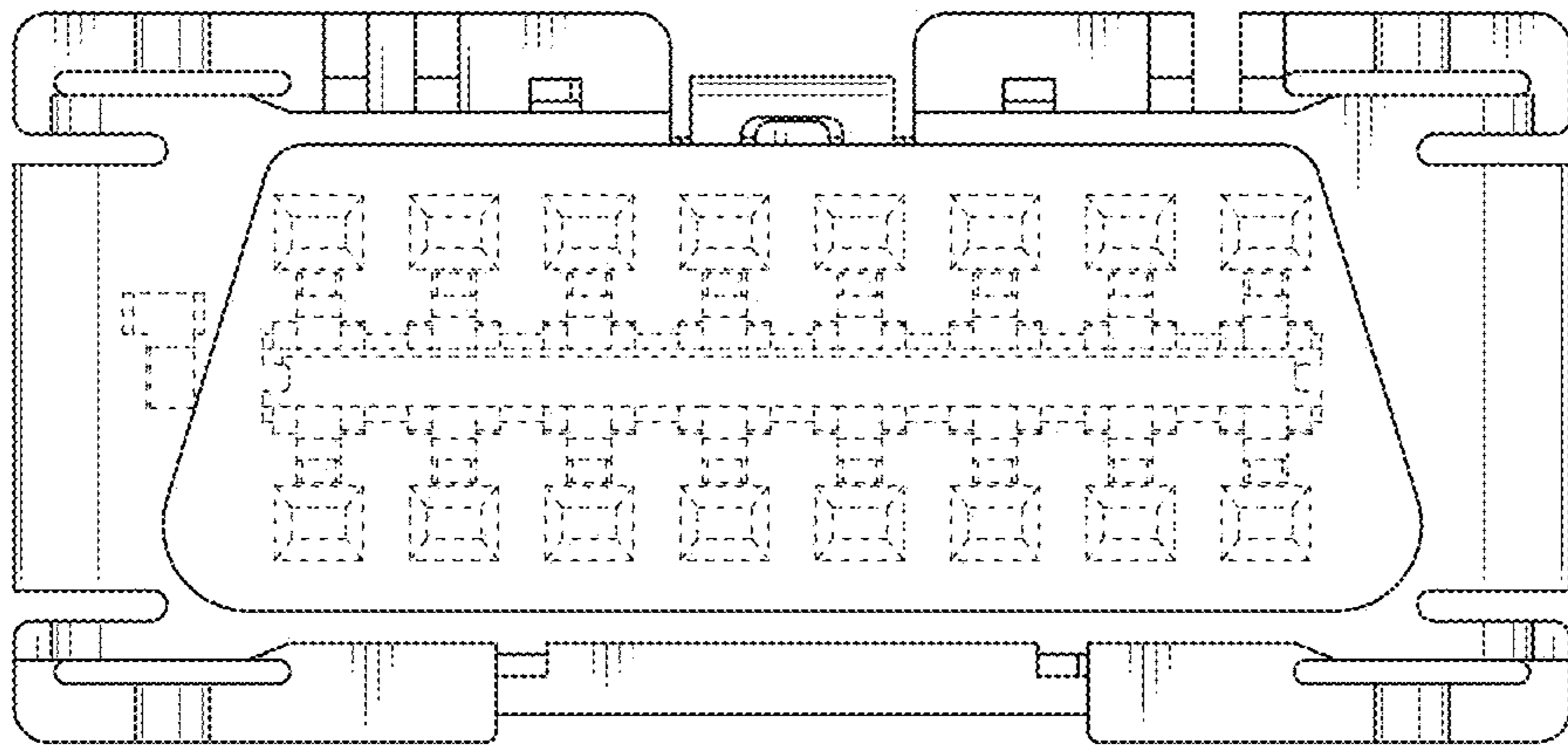


FIG. 5

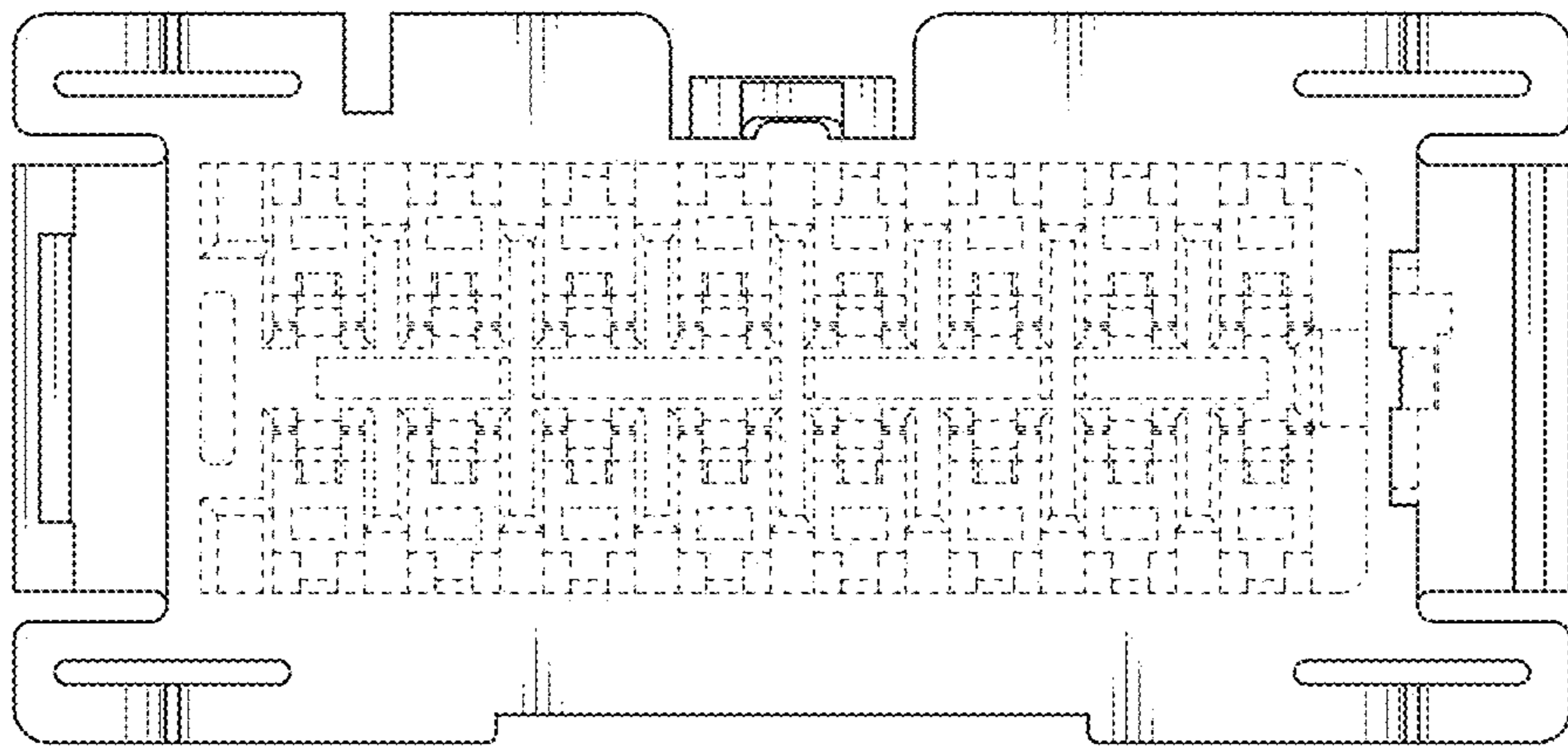


FIG. 6

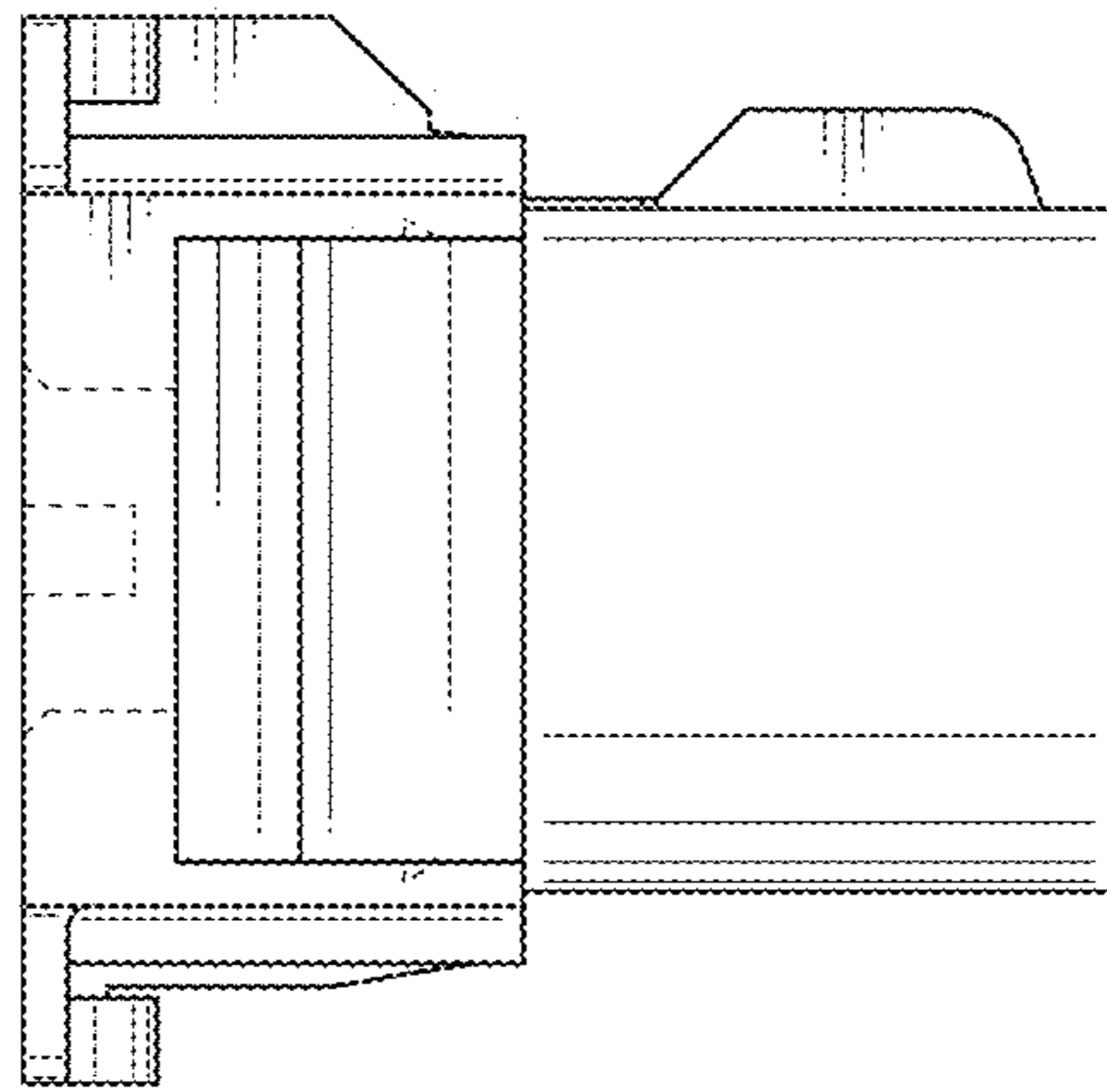


FIG. 7

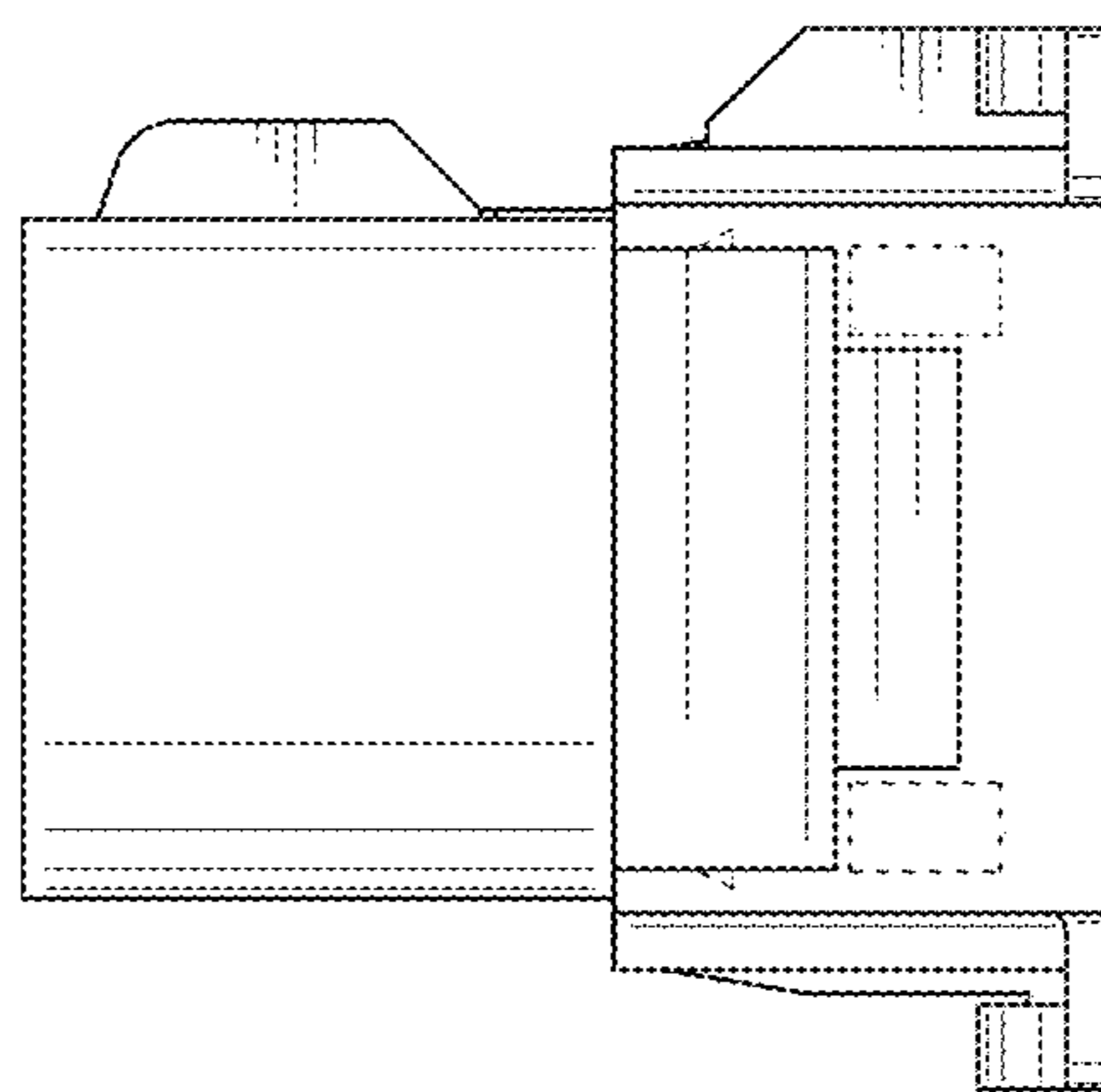


FIG. 8

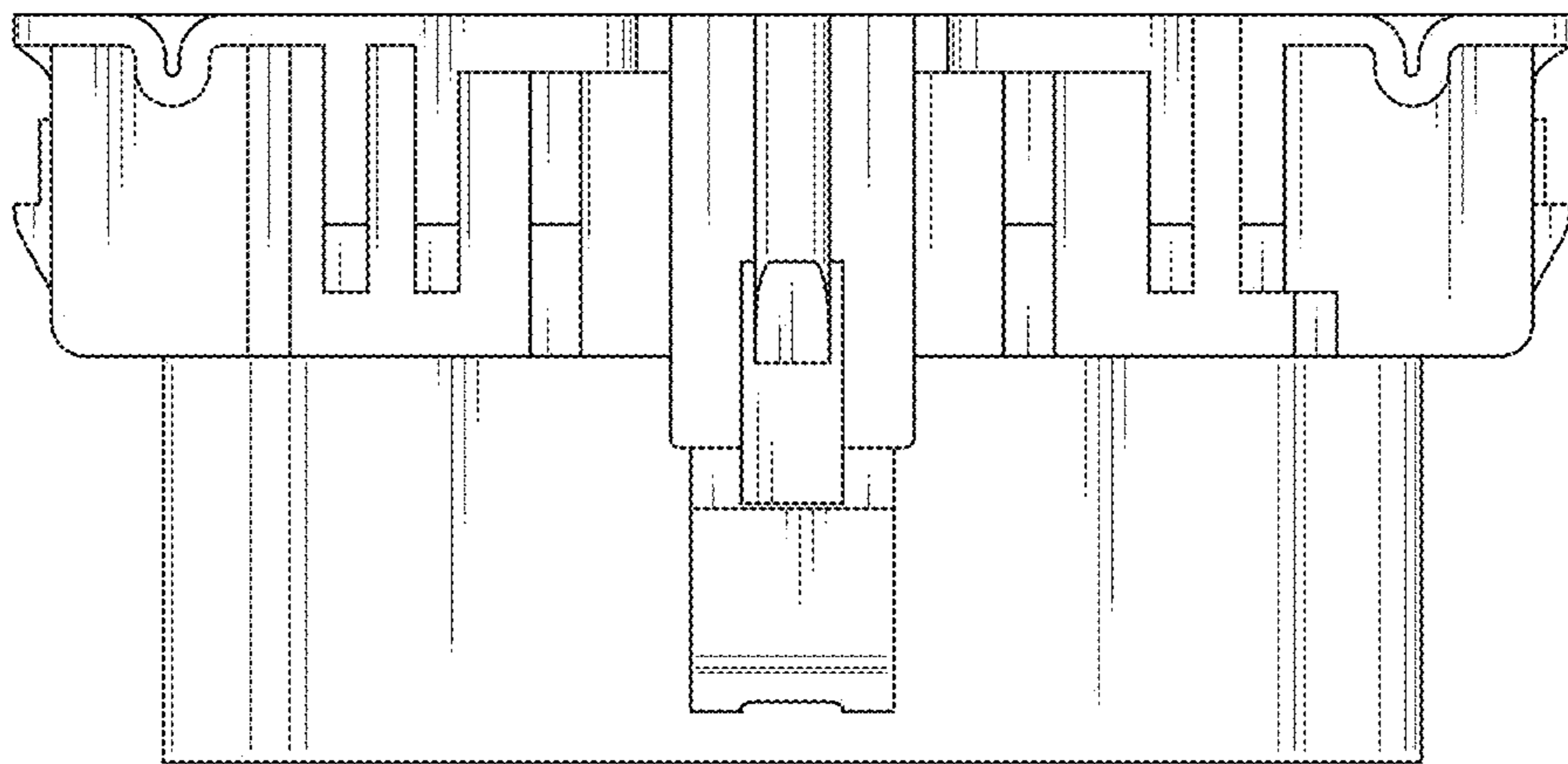




FIG. 9

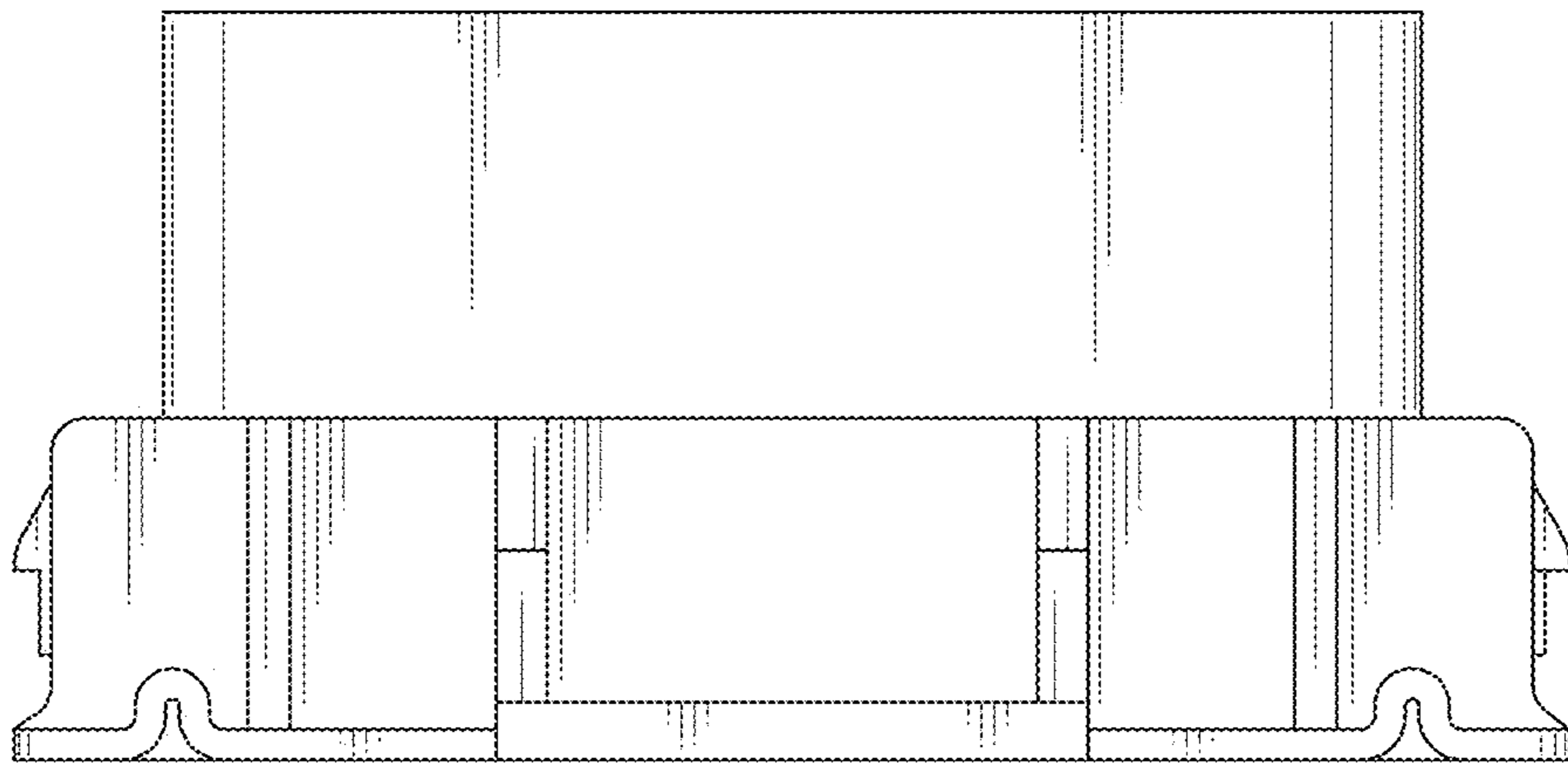


FIG. 10

