



US00D902157S

(12) **United States Design Patent**  
**Dang et al.**

(10) **Patent No.:** **US D902,157 S**

(45) **Date of Patent:** **\*\* Nov. 17, 2020**

(54) **ELECTRICAL CONNECTOR**

(71) Applicant: **PIC Wire & Cable, Inc.**, Sussex, WI (US)

(72) Inventors: **Phong Dang**, Auburn, WA (US); **Phong Thao**, Milwaukee, WI (US)

(73) Assignee: **PIC Wire & Cable, Inc.**, Sussex, WI (US)

(\*\*) Term: **15 Years**

(21) Appl. No.: **29/611,245**

(22) Filed: **Jul. 19, 2017**

(51) **LOC (12) Cl.** ..... **13-03**

(52) **U.S. Cl.**  
USPC ..... **D13/133**

(58) **Field of Classification Search**  
USPC ..... D13/118, 120, 123, 133, 146, 147, 149, D13/154, 173, 184, 199  
CPC ... G02B 6/38; H01R 4/24; H01R 4/48; H01R 4/50; H01R 9/05; H01R 12/00; H01R 13/432; H01R 13/52; H01R 13/64; H01R 13/642; H01R 13/648; H01R 13/65; H01R 13/6581; H01R 12/59; H01R 13/00; H01R 13/6463; H01R 13/658; H01R 13/6586; H01R 4/38; H01R 13/434; H01R 13/5841; H01R 13/6596  
See application file for complete search history.

(56) **References Cited**

**U.S. PATENT DOCUMENTS**

D210,533	S *	3/1968	Pauza	.....	174/138 F
5,314,350	A	5/1994	Matthews et al.		
5,488,705	A	1/1996	LaBarbera		
D434,384	S *	11/2000	Hwang	.....	D13/147
D473,844	S *	4/2003	Bender	.....	D13/133
6,749,466	B1	6/2004	Milner et al.		
7,140,924	B2	11/2006	Redfield et al.		
7,425,159	B2	9/2008	Lin		

7,513,787	B2	4/2009	AbuGhazaleh et al.		
7,591,686	B2	9/2009	Ellis et al.		
7,601,029	B2	10/2009	Horiuchi		
D665,751	S *	8/2012	Byrne	.....	D13/146
8,764,471	B2	7/2014	Dang		

(Continued)

**FOREIGN PATENT DOCUMENTS**

JP 2011-253807 12/2011

**OTHER PUBLICATIONS**

International Search Report and Written Opinion for PCT/US2017/042890 dated Oct. 27, 2017, 12 pages.

*Primary Examiner* — Angela J Lee

*Assistant Examiner* — Shawn T Gingrich

(74) *Attorney, Agent, or Firm* — Reinhart Boerner Van Deuren s.c.

(57) **CLAIM**

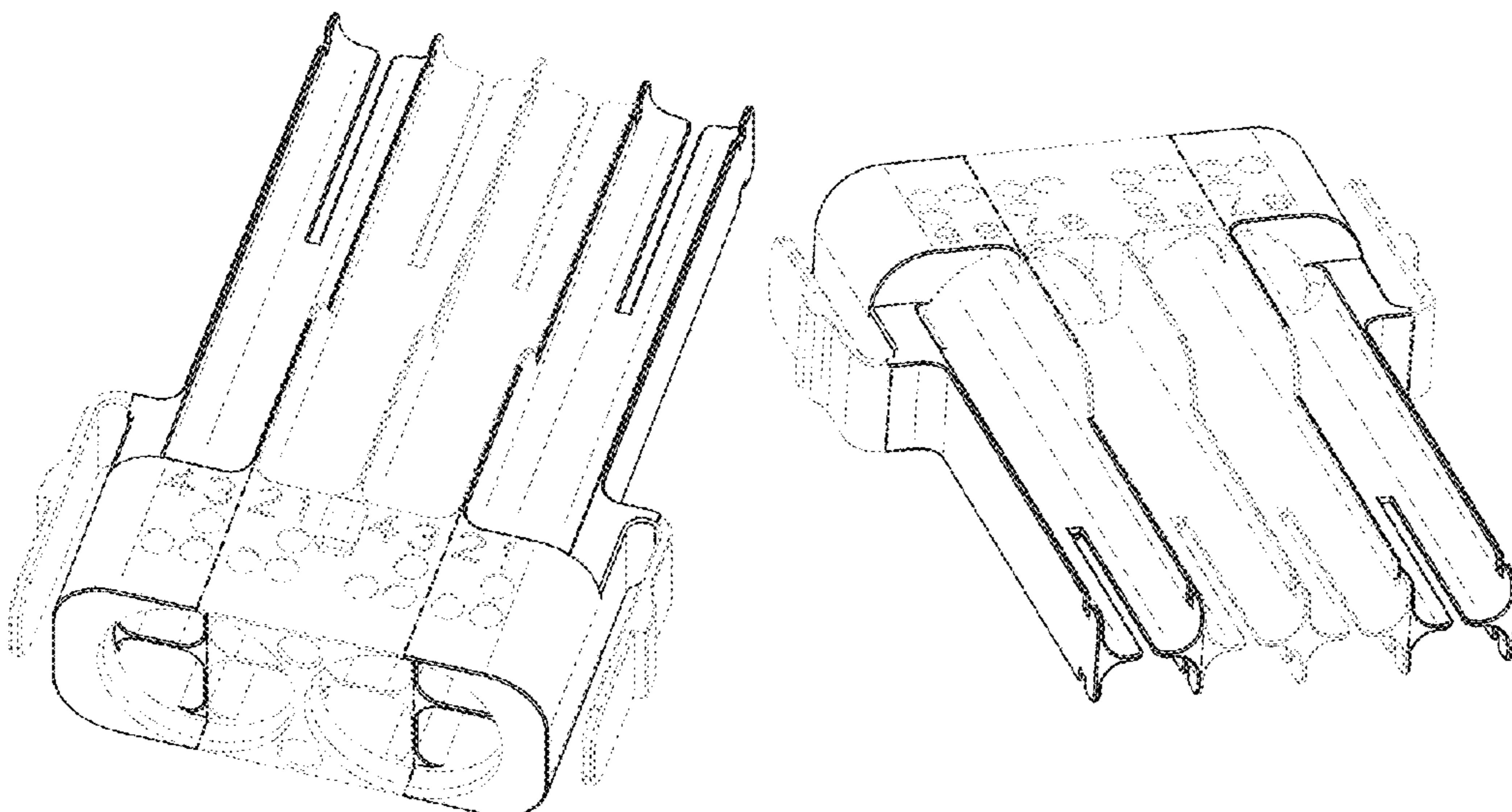
We claim the ornamental design for an electrical connector, as shown and described.

**DESCRIPTION**

FIG. 1 is a rear perspective view of the claimed design; FIG. 2 is a front perspective view of the claimed design of FIG. 1; FIG. 3 is a rear view of the claimed design of FIG. 1; FIG. 4 is a right side view of the claimed design of FIG. 1; FIG. 5 is a top view of the claimed design of FIG. 1; FIG. 6 is a left side view of the claimed design of FIG. 1; FIG. 7 is a bottom view of the claimed design of FIG. 1; and, FIG. 8 is a front view of the claimed design of FIG. 1.

The dash-dash broken lines in the drawings are included to show portions of the electrical connector that form no part of the claimed design. The dot-dash broken line in the drawings define the boundaries of the claim and form no part of the claimed design.

**1 Claim, 4 Drawing Sheets**



(56)

**References Cited**

U.S. PATENT DOCUMENTS

8,979,553	B2	3/2015	Lloyd et al.	
9,172,149	B2	10/2015	Xing	
D753,600	S *	4/2016	Svelnis .....	D13/146
9,306,333	B2	4/2016	Dang	
9,627,819	B2	4/2017	Post	
10,056,718	B2	8/2018	Dang et al.	
D836,557	S *	12/2018	Luo .....	D13/147
10,305,228	B2 *	5/2019	Dang .....	H01R 13/434
D887,987	S *	6/2020	Ganamukhi .....	D13/147
2003/0096529	A1	5/2003	Brennen et al.	
2004/0038564	A1	2/2004	Yan	
2005/0032404	A1 *	2/2005	Furuta .....	B60L 3/0069 439/157
2009/0053937	A1 *	2/2009	Tsou .....	H01R 13/514 439/638
2009/0197467	A1	8/2009	Ko	
2014/0017926	A1	1/2014	Wu et al.	
2014/0065884	A1	3/2014	Wu et al.	
2014/0120769	A1	5/2014	Dang	
2014/0151999	A1 *	6/2014	Imaki .....	F16L 37/56 285/119
2018/0375261	A1 *	12/2018	Iizuka .....	B60R 16/0207
2019/0036270	A1 *	1/2019	Aoshima .....	H05K 5/0247

\* cited by examiner

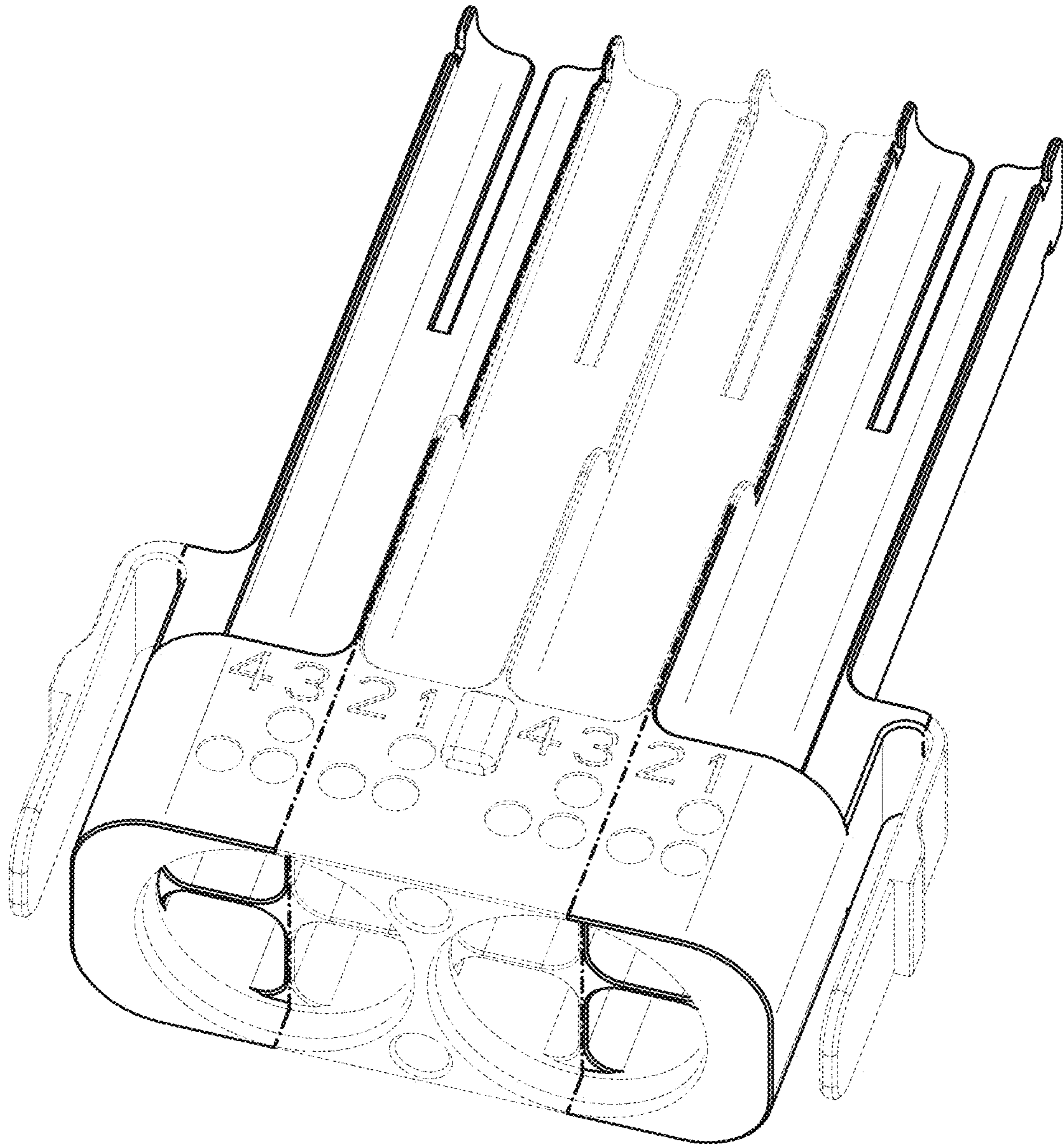


FIG. 1

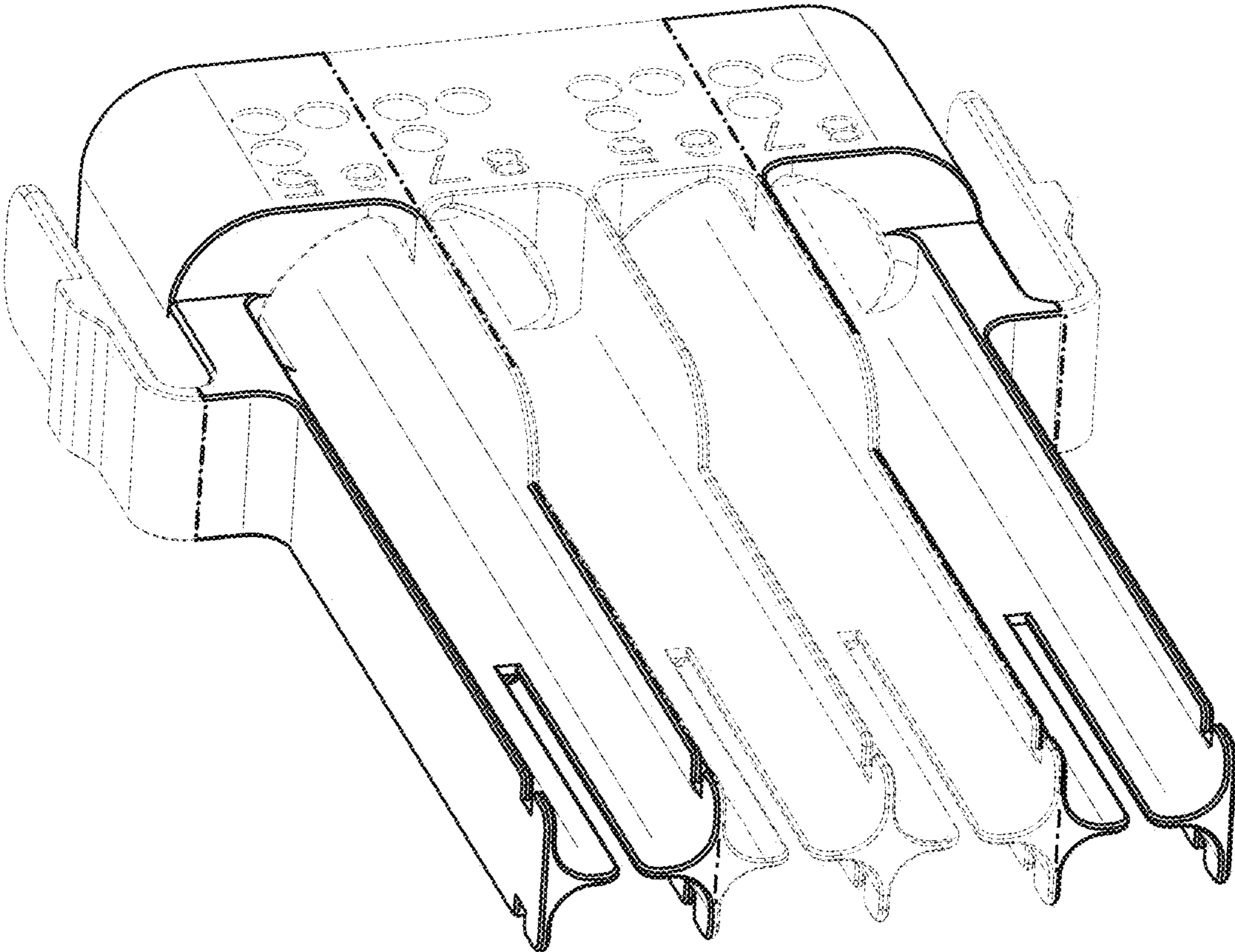


FIG. 2

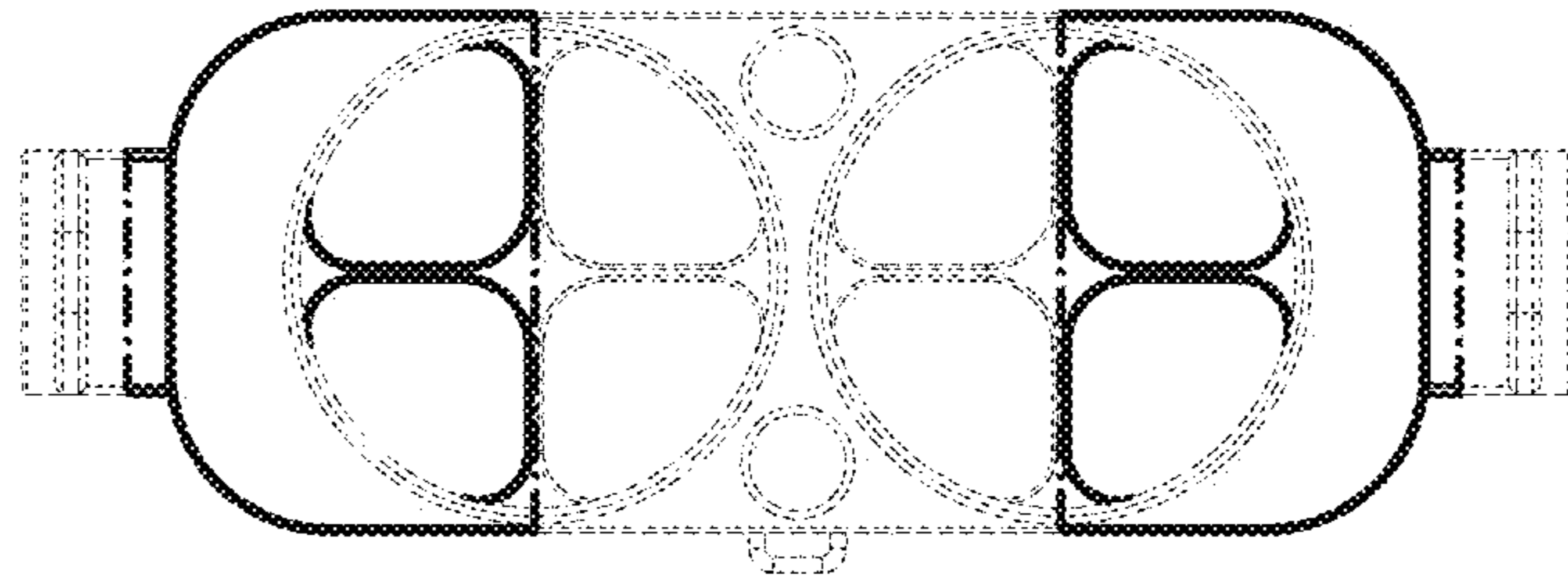


FIG. 3

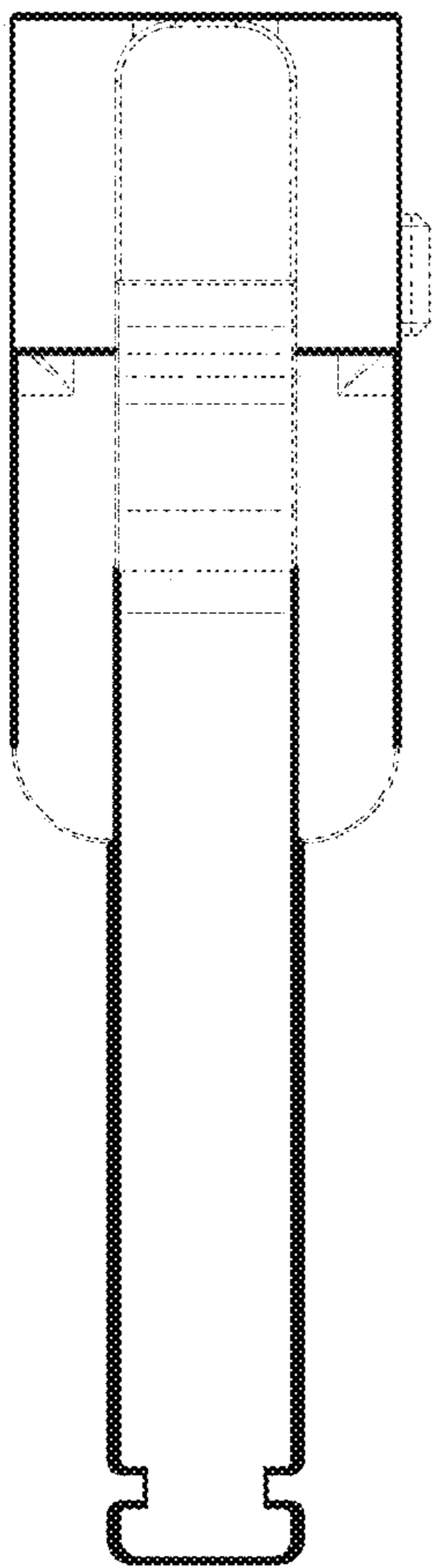


FIG. 4

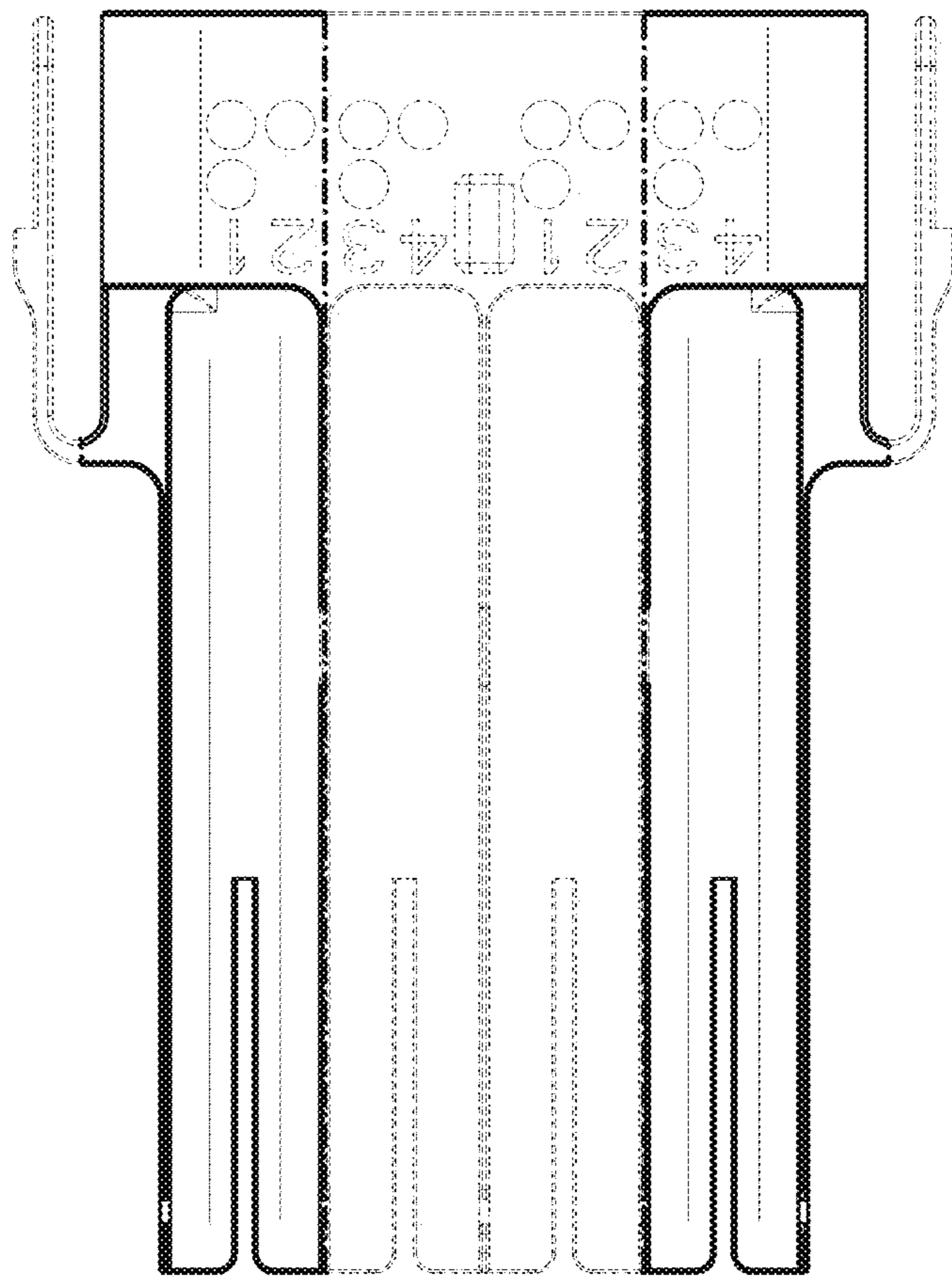


FIG. 5

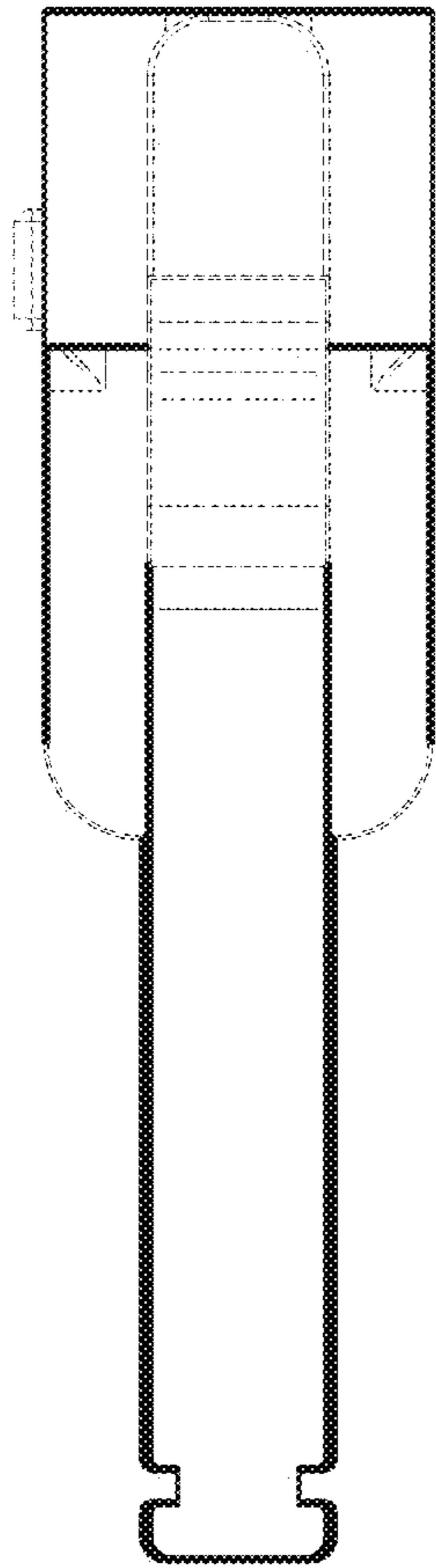


FIG. 6

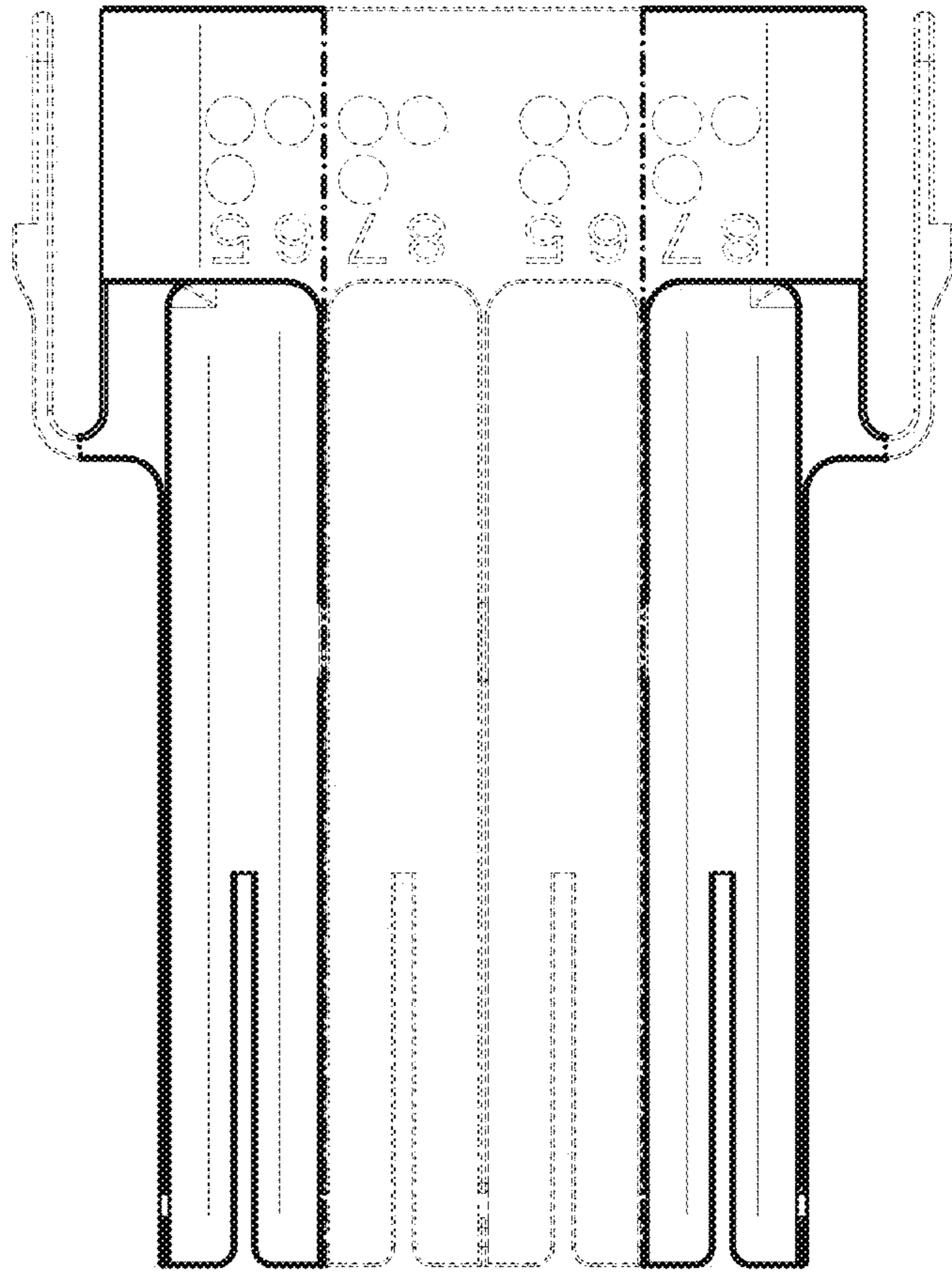


FIG. 7

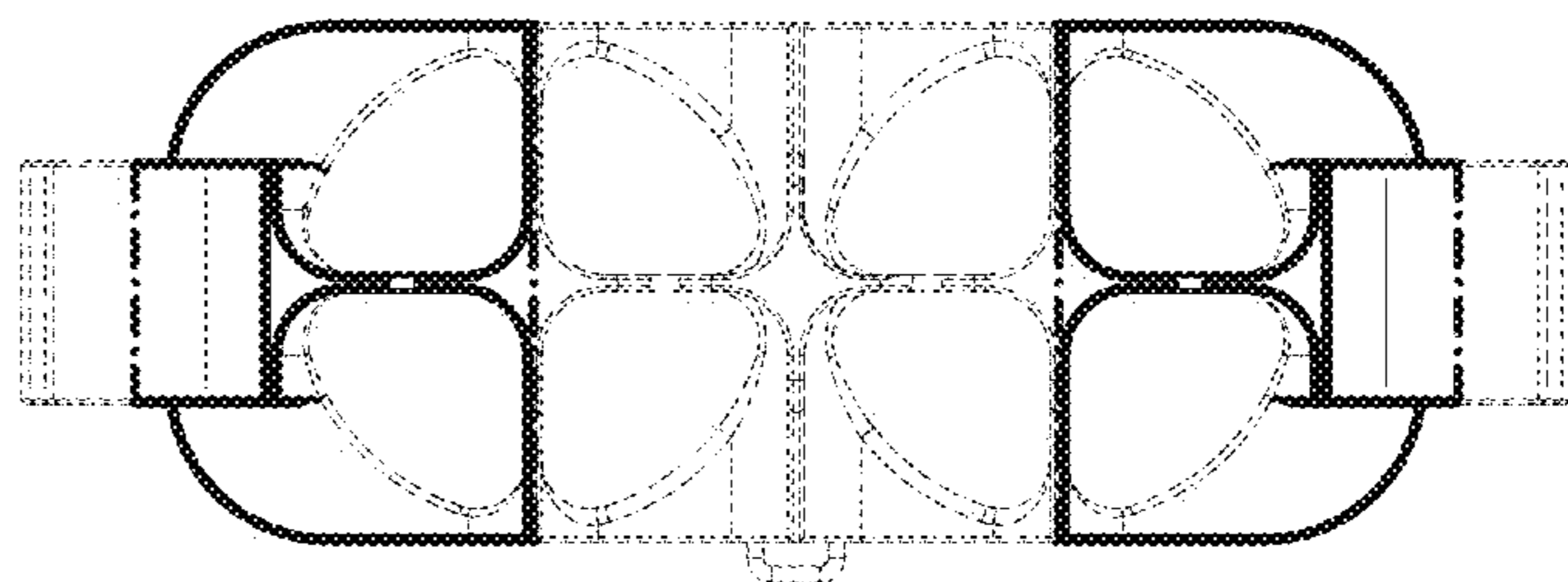


FIG. 8