



US00D902152S

(12) **United States Design Patent** (10) **Patent No.:** **US D902,152 S**
Liao (45) **Date of Patent:** **** Nov. 17, 2020**

(54) **CONVERTER**

G06F 3/023; G06F 3/038; G06F 3/0626;
G06F 3/0658; G06F 9/4413

(71) Applicant: **Gopod Group Ltd.**, Guangdong (CN)

See application file for complete search history.

(72) Inventor: **Zhuowen Liao**, Shenzhen (CN)

(56) **References Cited**

(73) Assignee: **GUANGDONG GOPOD GROUP HOLDING CO., LTD.**, Shenzhen (CN)

U.S. PATENT DOCUMENTS

(**) Term: **15 Years**

D560,165 S * 1/2008 Matityahu D13/133
D692,024 S * 10/2013 Seong D14/496
D797,747 S * 9/2017 Xu D14/433
D813,875 S * 3/2018 Liao D14/434
D830,366 S * 10/2018 Turksu D14/433

(21) Appl. No.: **29/676,916**

* cited by examiner

(22) Filed: **Jan. 16, 2019**

(30) **Foreign Application Priority Data**

Primary Examiner — Derrick E Holland

Dec. 28, 2018 (CN) 2018 3 0764994

(74) *Attorney, Agent, or Firm* — Dorsey & Whitney LLP

(51) **LOC (12) Cl.** **13-02**

(57) **CLAIM**

(52) **U.S. Cl.**

The ornamental design for a converter, as shown and described.

USPC **D13/110**; D14/433

(58) **Field of Classification Search**

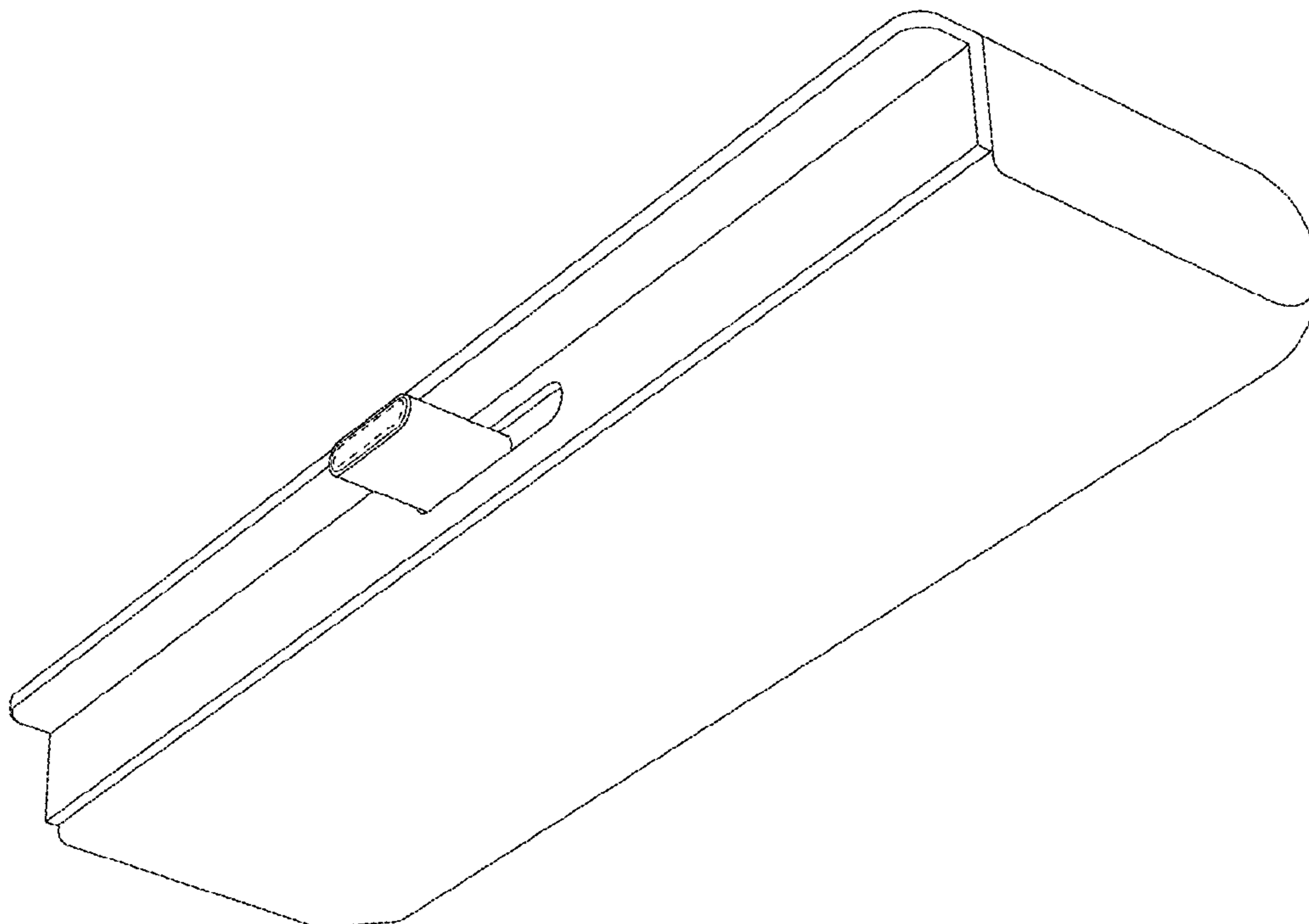
DESCRIPTION

USPC ... D13/110, 103, 107, 108, 118, 123, 137.1,
D13/137.4, 138.1, 147, 162, 168, 169,
D13/174, 177, 184, 199; D14/240, 242,
D14/257, 356, 357, 432, 433, 438, 480.1,
D14/480.3

FIG. 1 is a top view of a converter showing my new design;
FIG. 2 is a left side view thereof;
FIG. 3 is a right side view thereof;
FIG. 4 is a bottom view thereof;
FIG. 5 is a front view thereof;
FIG. 6 is a rear view thereof;
FIG. 7 is a bottom, front, right side perspective view thereof;
FIG. 8 is a top, rear, right side perspective view thereof; and,
FIG. 9 is a top, front, left side perspective view thereof.
The broken lines shown in the drawings illustrate portions of
the converter that form no part of the claimed design.

CPC H05K 5/00; H05K 5/02; H05K 5/0247;
H05K 7/00; H05K 7/20; H05K 7/20136;
H05K 7/20154; H05K 7/209; H02M 7/00;
H02M 7/003; H02M 2001/009; H02J
7/0042; Y10T 307/367; Y02E 60/12;
Y02E 60/50; H01M 2/02; H01M 2/025;
H01M 2/0207; H01M 2/0212; H01M
10/44; H01R 13/60; H01R 13/72; H01R
13/6658; H01R 25/003; H01R 25/006;

1 Claim, 9 Drawing Sheets



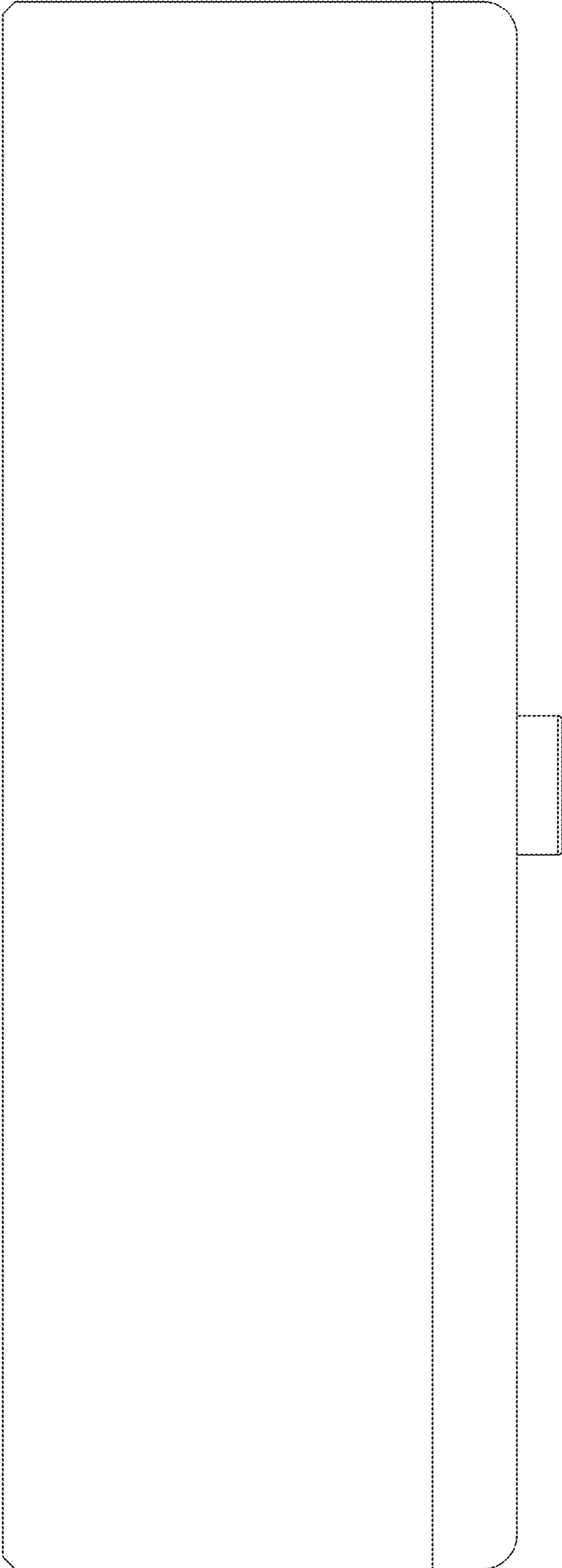


FIG. 1

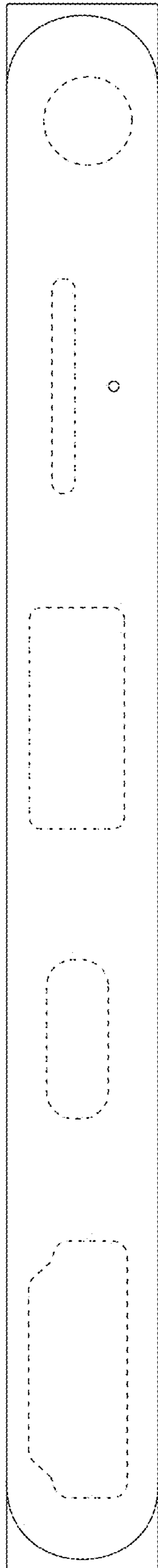


FIG. 2

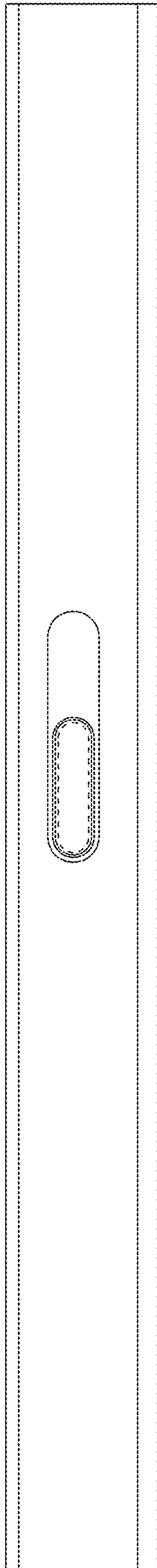


FIG. 3

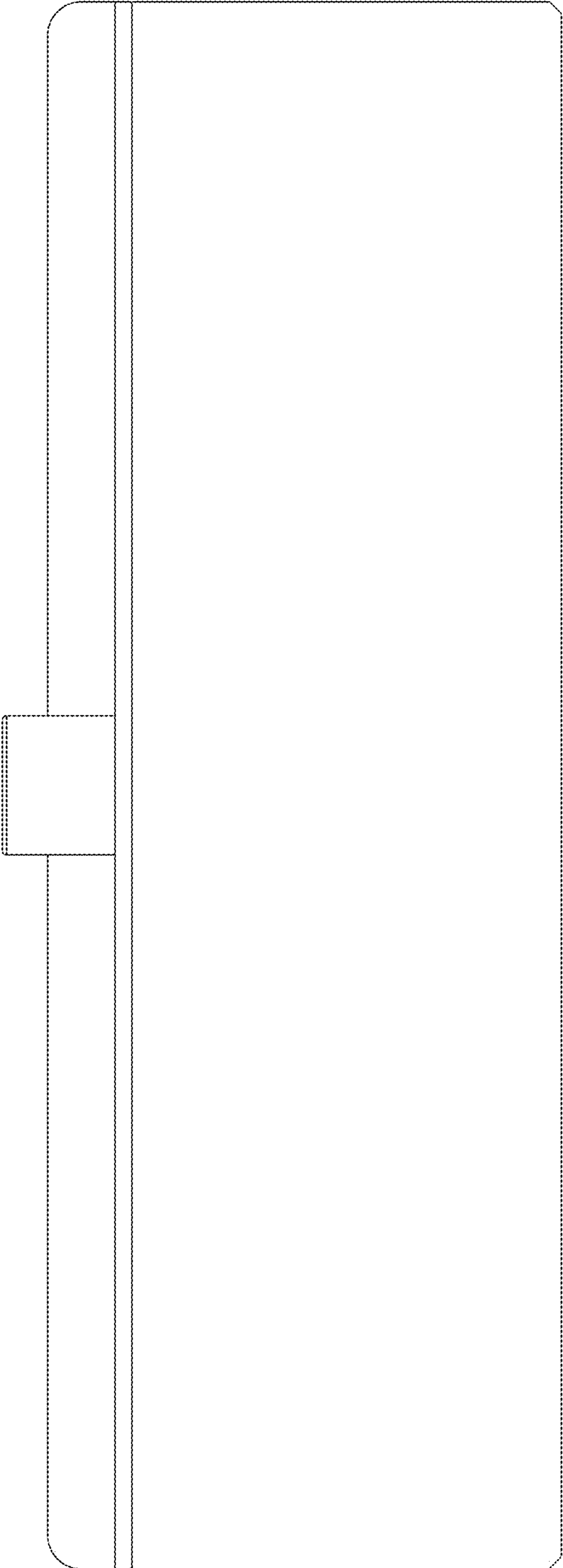


FIG. 4



FIG. 5

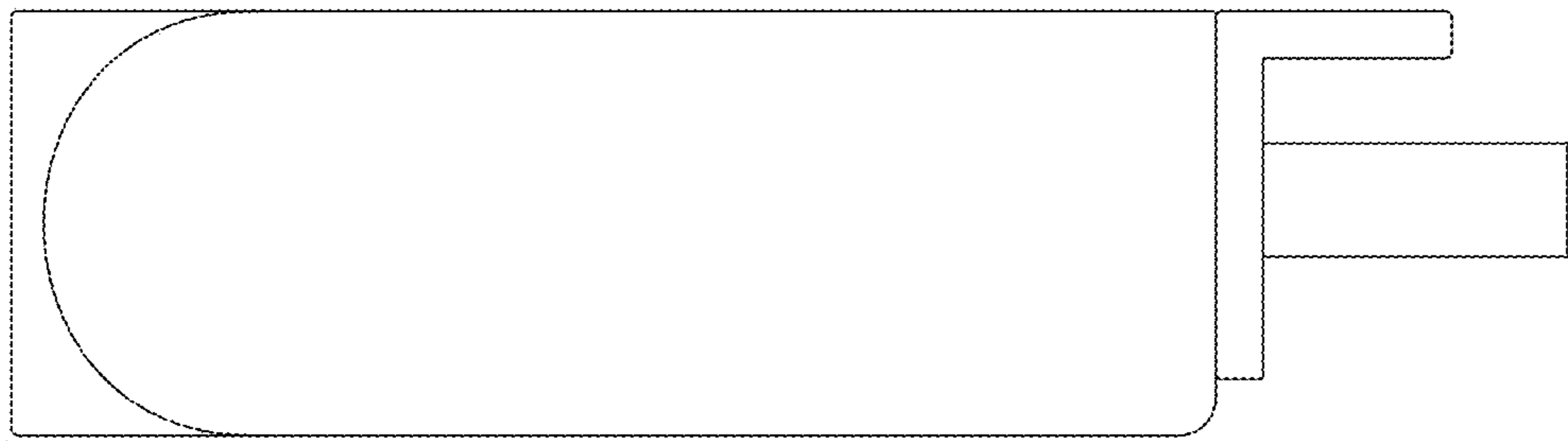


FIG. 6

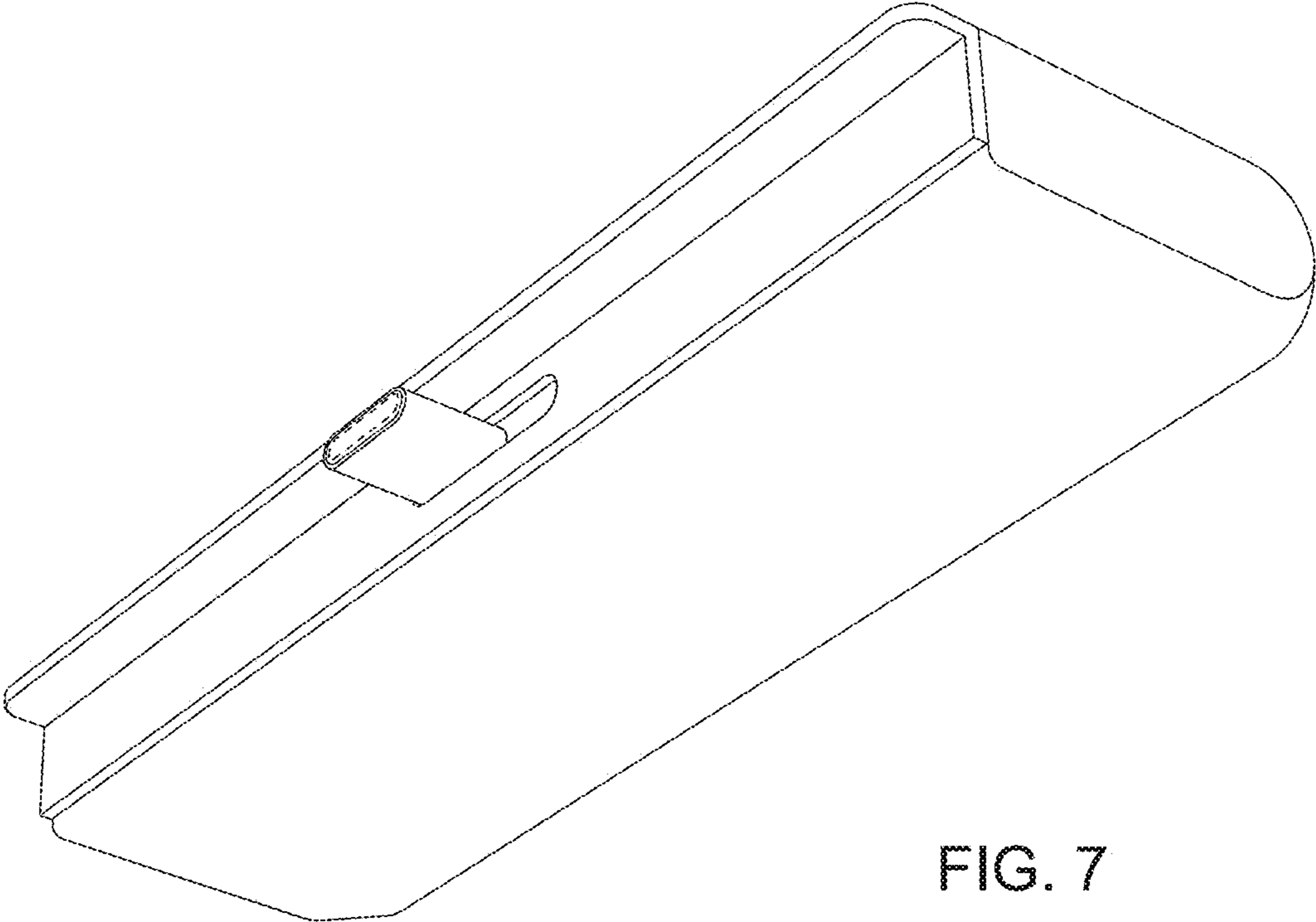


FIG. 7

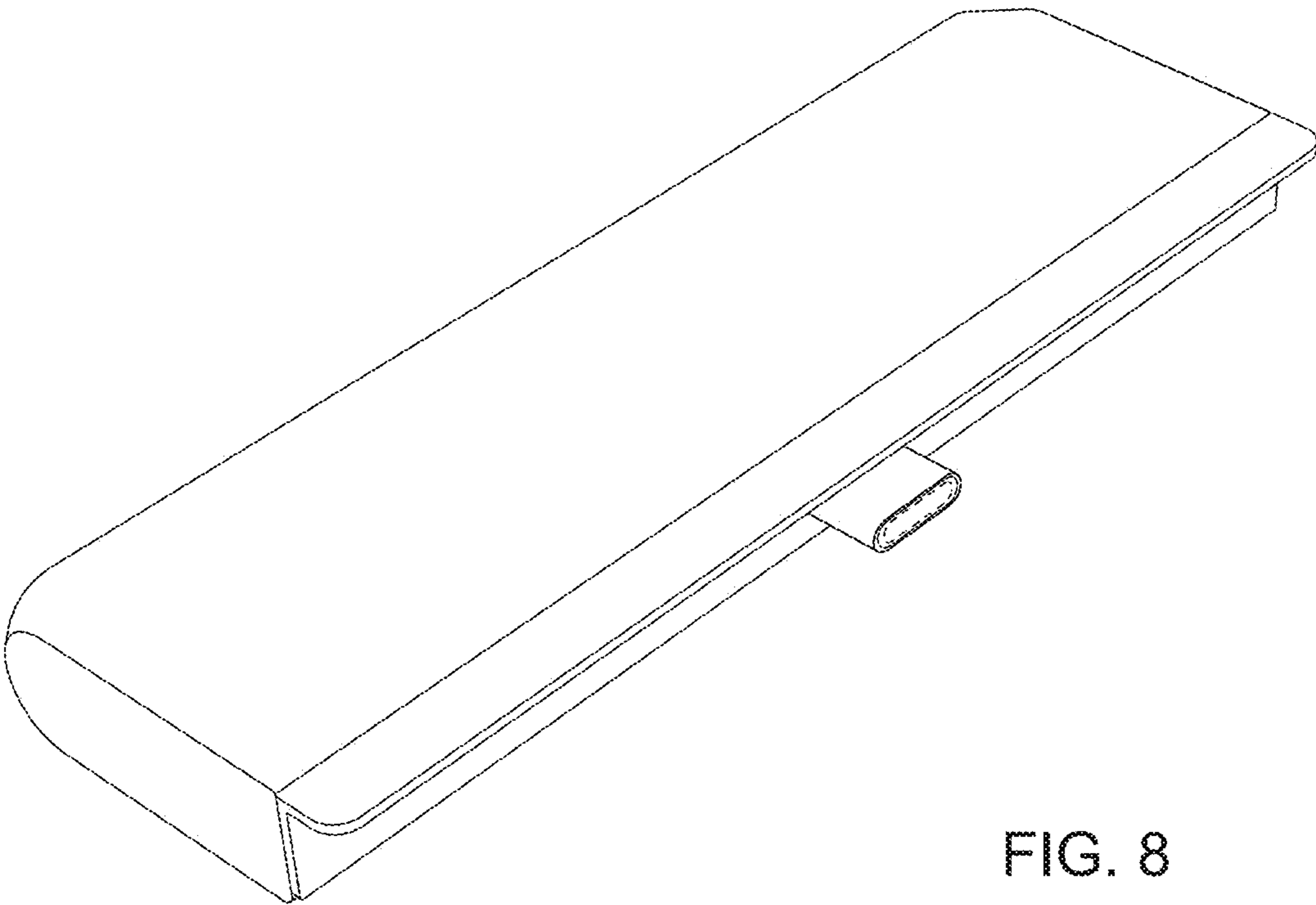


FIG. 8

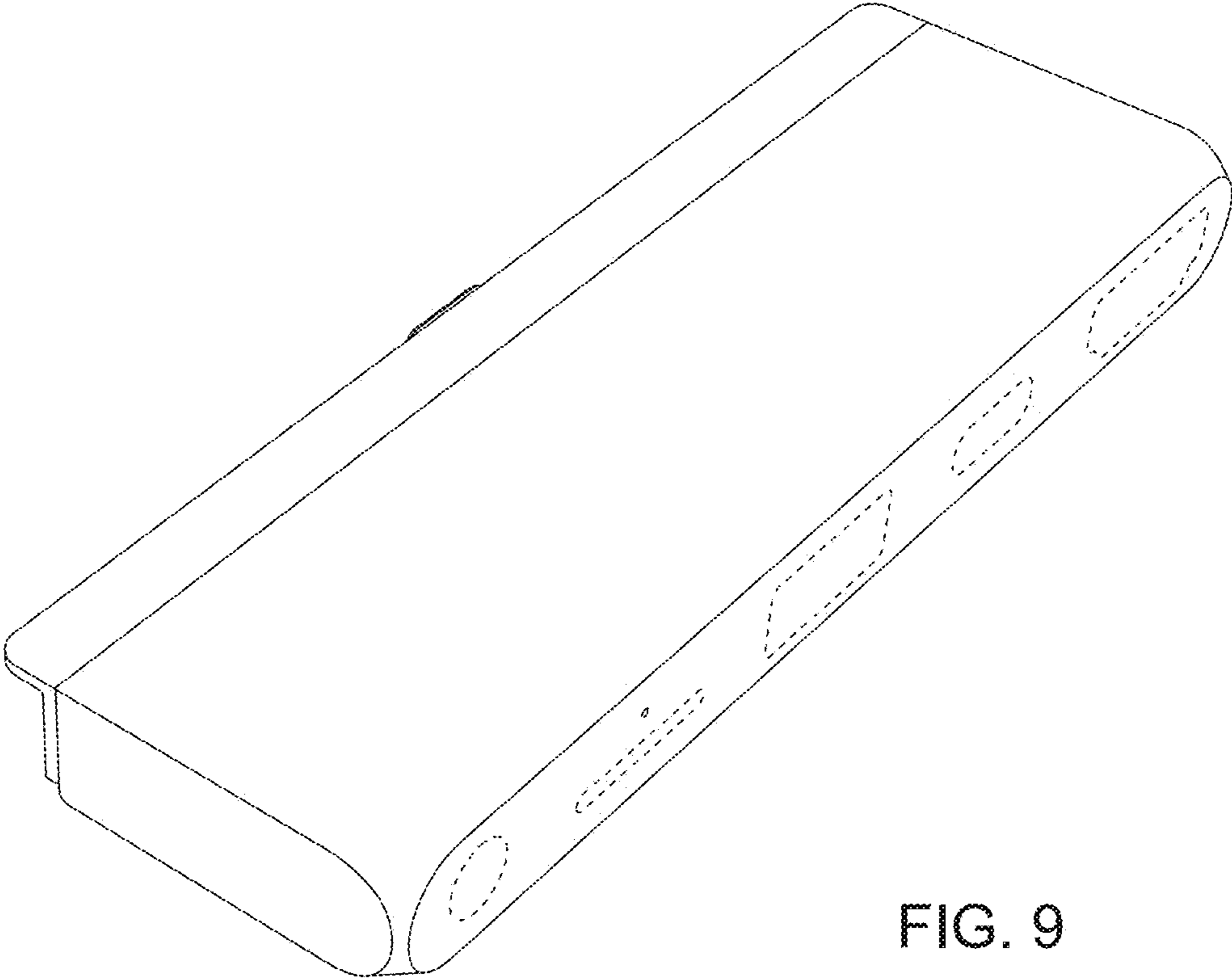


FIG. 9