



US00D902151S

(12) **United States Design Patent**
Yang et al.

(10) **Patent No.:** **US D902,151 S**

(45) **Date of Patent:** **** Nov. 17, 2020**

(54) **WIRELESS CHARGER**

(71) Applicant: **SHENZHEN RUINENG WIRELESS TECHNOLOGY CO., LTD.**, Shenzhen (CN)

(72) Inventors: **Jianlong Yang**, Ji'An (CN); **Jun Yang**, Ji'An (CN)

(73) Assignee: **SHENZHEN RUINENG WIRELESS TECHNOLOGY CO., LTD.**, Shenzhen (CN)

(**) Term: **15 Years**

(21) Appl. No.: **29/704,310**

(22) Filed: **Sep. 4, 2019**

(30) **Foreign Application Priority Data**

Aug. 2, 2019 (CN) 2019 3 0417547

(51) **LOC (12) Cl.** **13-02**

(52) **U.S. Cl.**
USPC **D13/108**

(58) **Field of Classification Search**
USPC D13/103, 107-108, 110, 184, 199;
D14/251, 253, 432, 434
CPC H02J 7/0044; H02J 7/0045; H02J 7/0042;
H02J 7/342; H02J 7/345; H02J 7/025;
H02J 7/026; H02J 7/0007; H02J 7/0027;
H02J 7/0003; H02J 50/00; H02J 50/10;
H02J 50/12; H02J 50/80; H02J 50/40
See application file for complete search history.

(56) **References Cited**

U.S. PATENT DOCUMENTS

D647,476 S * 10/2011 Ciou D13/110
D657,743 S * 4/2012 Andre D13/110

D663,687 S * 7/2012 Liu D13/108
D682,781 S * 5/2013 Wakafuji D13/110
D694,183 S * 11/2013 Matsuoka D13/110
D694,185 S * 11/2013 Matsuoka D13/110
D711,824 S * 8/2014 Matsuoka D13/110
D731,970 S * 6/2015 Kamath D13/110
D741,796 S * 10/2015 Robinson D13/108
D742,315 S * 11/2015 Dang D13/110
D772,160 S * 11/2016 Roberts D13/110
D796,432 S * 9/2017 Liu D13/107
D820,207 S * 6/2018 Lemelson D13/110
D820,208 S * 6/2018 Lemelson D13/110
D820,209 S * 6/2018 Lemelson D13/110
D850,366 S * 6/2019 Zou D13/108
D879,710 S * 3/2020 Yang D13/108
D883,198 S * 5/2020 Zhang D13/107
D892,735 S * 8/2020 Zhang D13/108

* cited by examiner

Primary Examiner — Rosemary K Tarcza

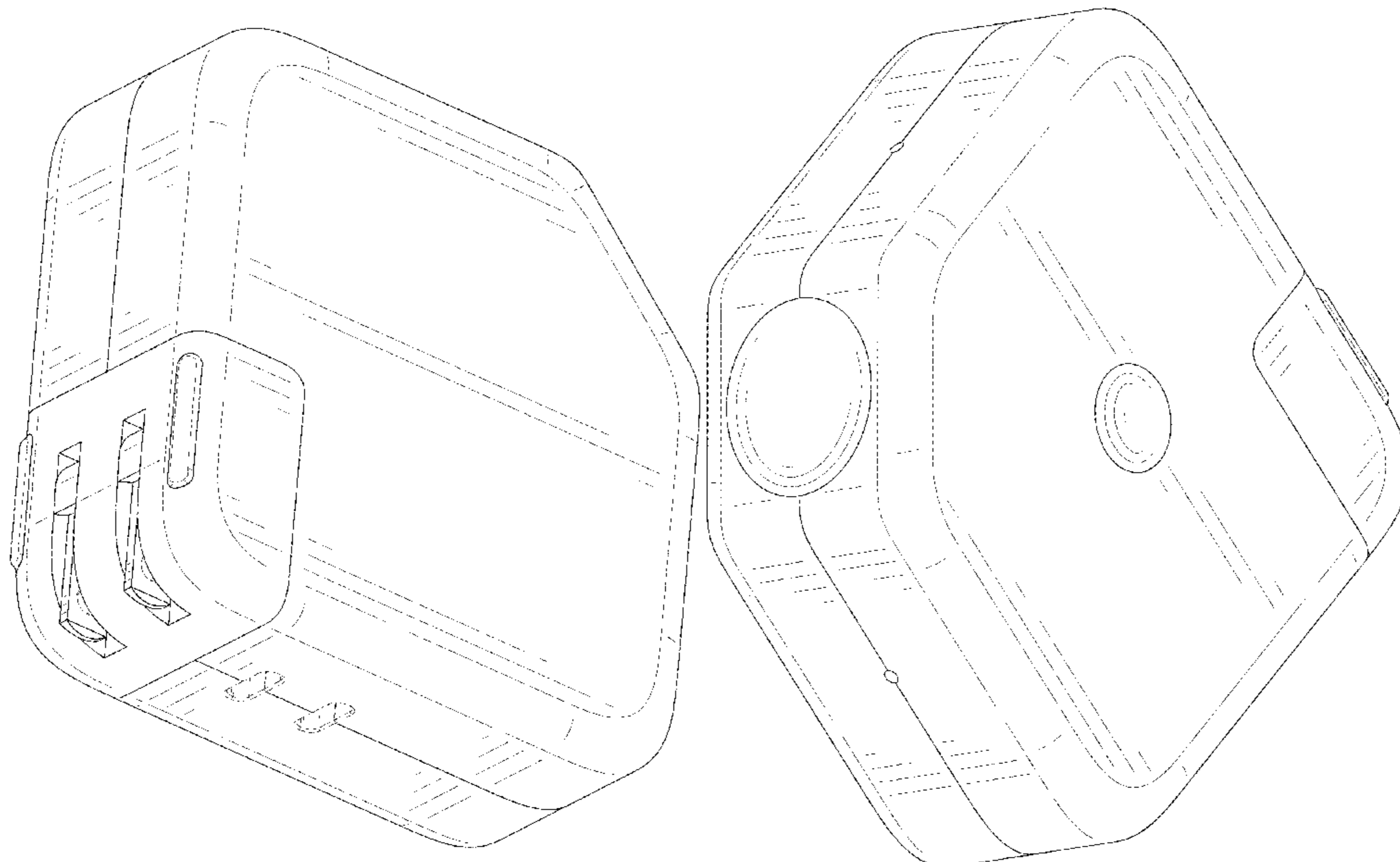
(57) **CLAIM**

The ornamental design for a wireless charger, as shown and described.

DESCRIPTION

FIG. 1 is a perspective view of a wireless charger showing my new design;
FIG. 2 is another perspective view thereof;
FIG. 3 is a front elevational view thereof;
FIG. 4 is a rear elevational view thereof;
FIG. 5 is a left side elevational view thereof;
FIG. 6 is a right side elevational view thereof;
FIG. 7 is a top plan view thereof; and,
FIG. 8 is a bottom plan view thereof.
The broken lines in the drawings depict portions of the wireless charger that form no part of the claimed design.

1 Claim, 8 Drawing Sheets



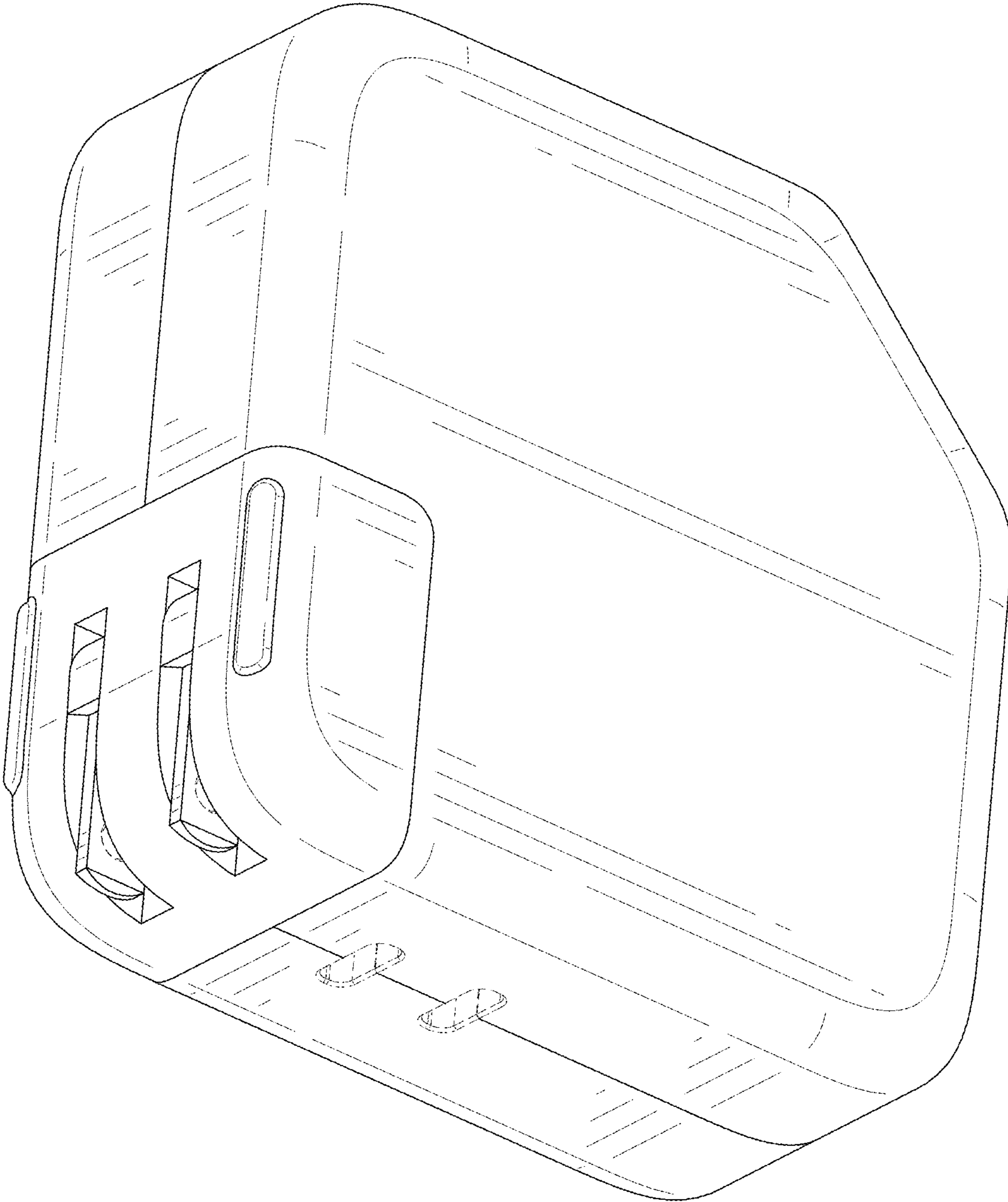


FIG. 1

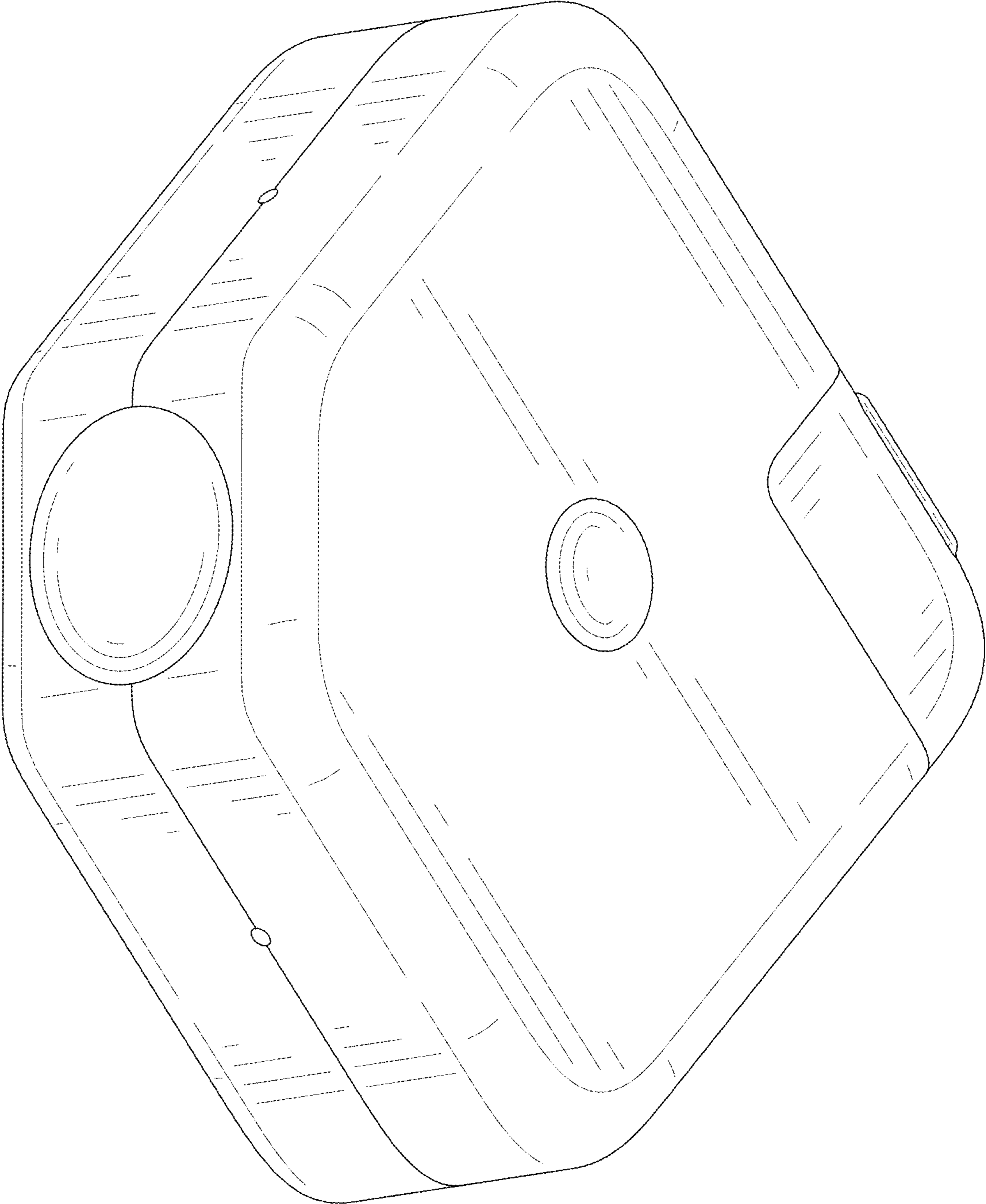


FIG. 2

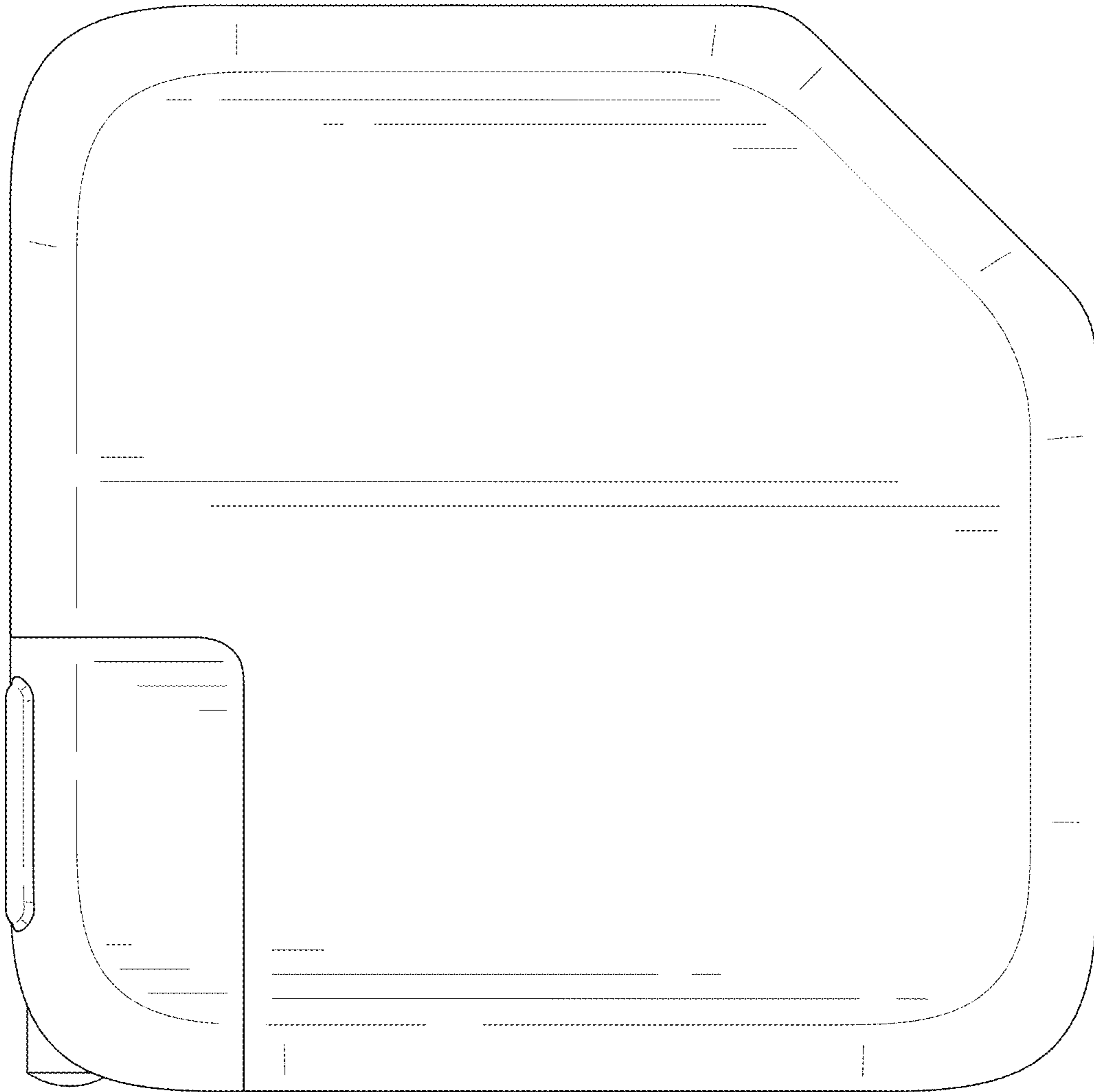


FIG. 3

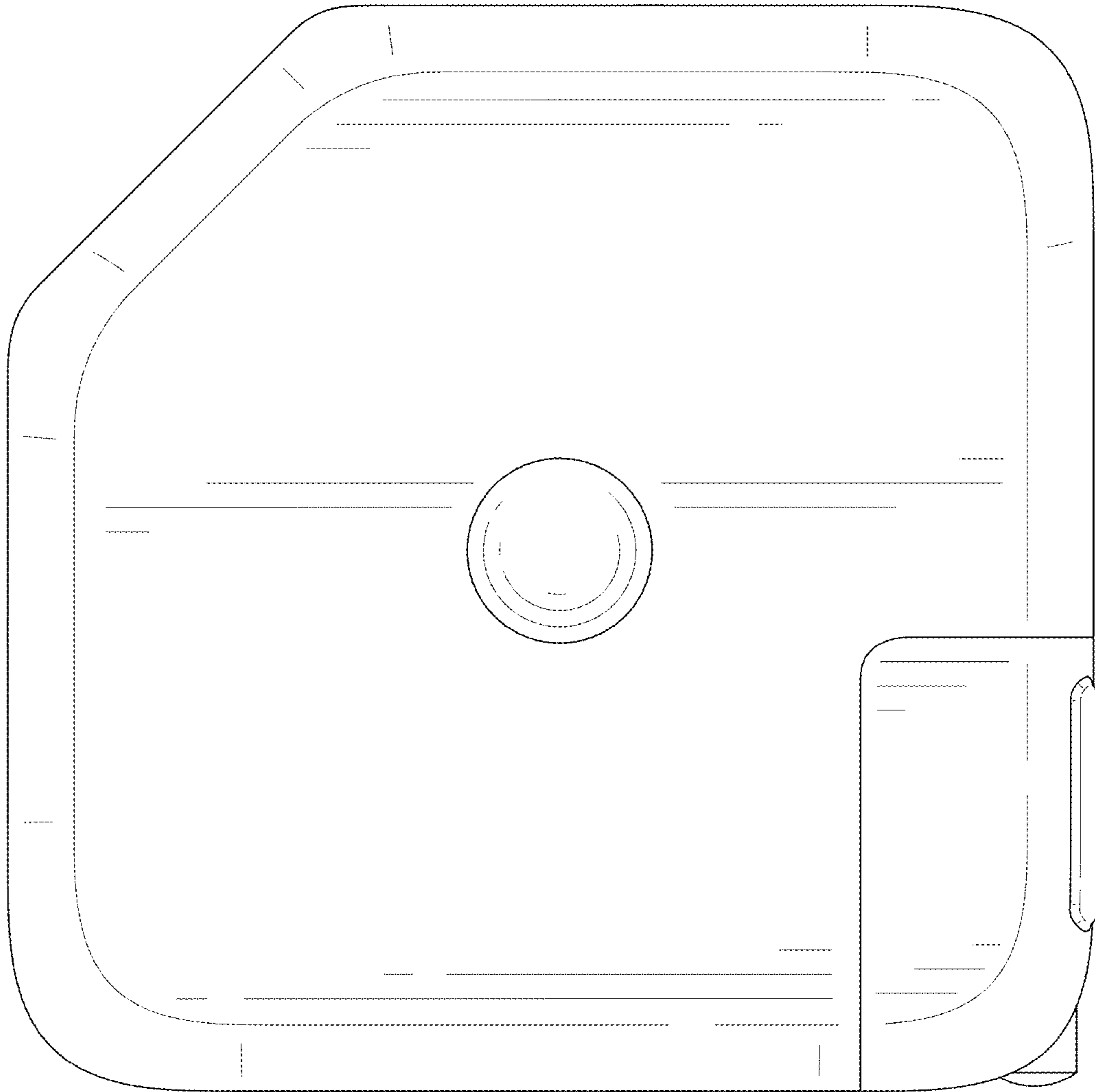


FIG. 4

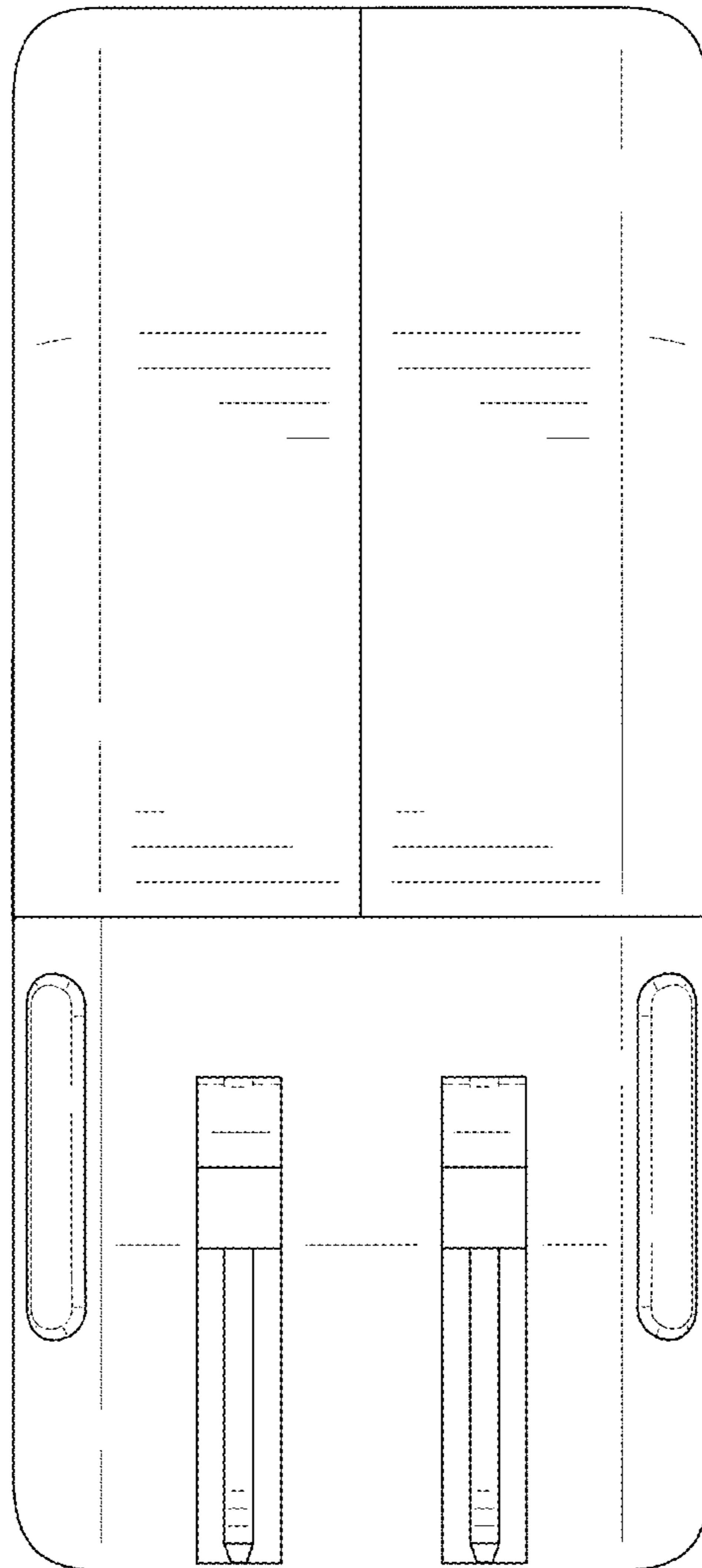


FIG. 5

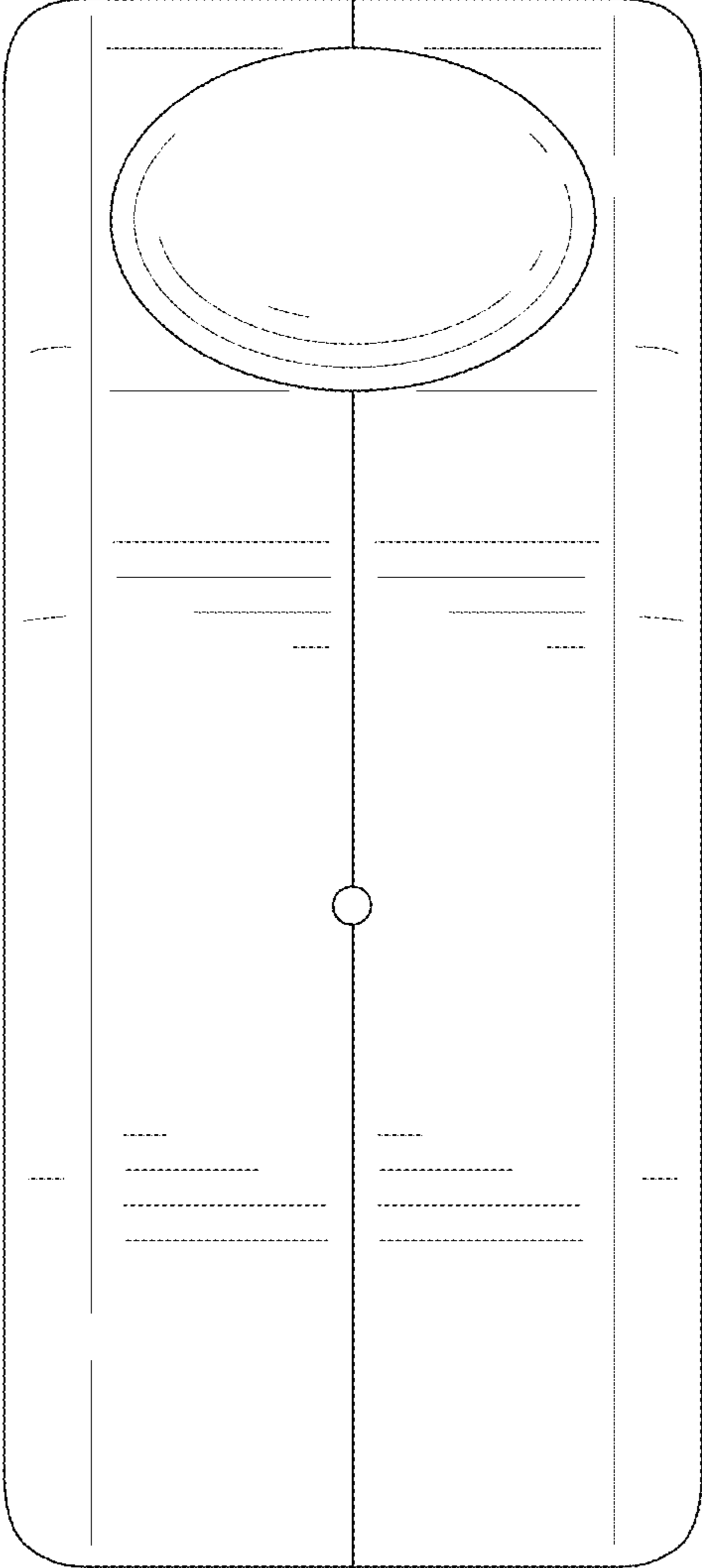


FIG. 6

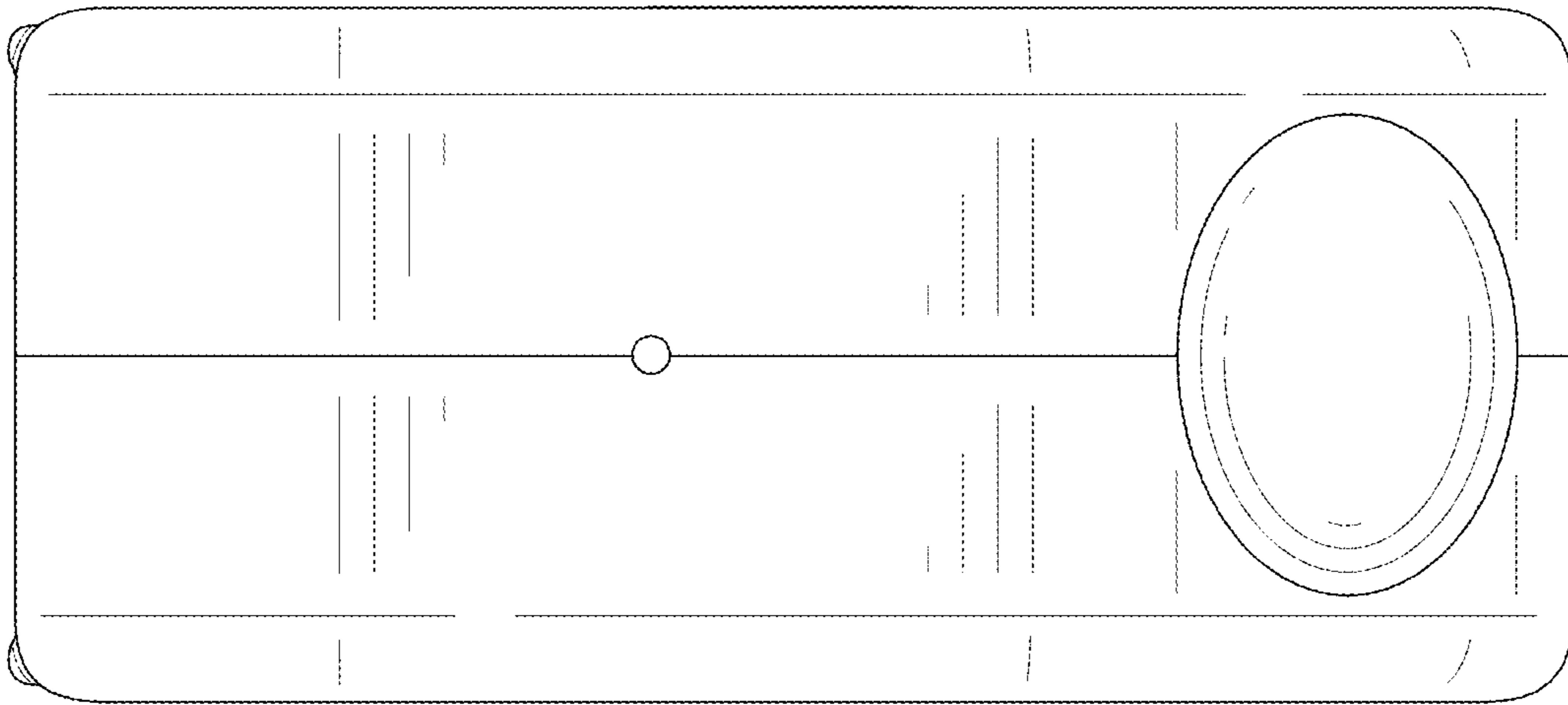


FIG. 7

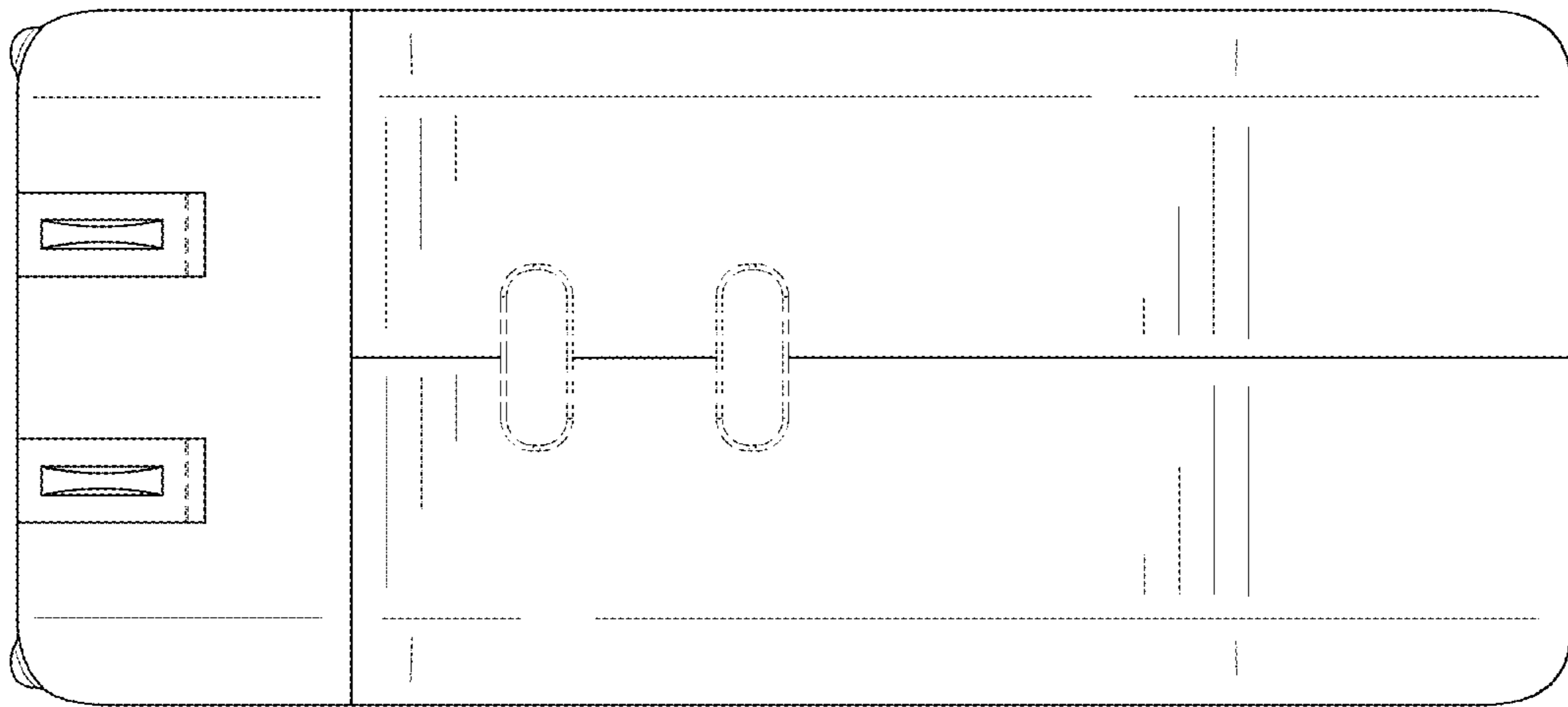


FIG. 8