



US00D902150S

(12) **United States Design Patent**
Sun et al.

(10) **Patent No.:** **US D902,150 S**

(45) **Date of Patent:** **** Nov. 17, 2020**

(54) **EARPHONE BOX**

(71) Applicant: **1MORE INC.**, Guangdong (CN)

(72) Inventors: **Xin Sun**, Guangdong (CN); **Shuoren Xu**, Guangdong (CN)

(73) Assignee: **1MORE INC.**, Shenzhen (CN)

(**) Term: **15 Years**

(21) Appl. No.: **29/700,517**

(22) Filed: **Aug. 2, 2019**

(30) **Foreign Application Priority Data**

Jun. 27, 2019 (CN) 2019 3 0337594

(51) **LOC (12) Cl.** **13-02**

(52) **U.S. Cl.**
USPC **D13/108**

(58) **Field of Classification Search**

USPC D14/223, 205, 206; D24/174; 128/864,
128/865, 866; 181/129, 130, 135;
379/430, 431; 381/380, 381, 322-324,
381/330; 455/90.3, 575, 1, 569.1;
D9/415, 432, 456, 721; D13/107, 108;
D3/319, 394

CPC H04R 1/10; H04R 25/00; H04R 1/1016;
H04R 1/1066; H04R 5/033; H04R
5/0335; H04R 1/1091; H04R 1/1058;
H04R 1/105; H04R 1/1083

See application file for complete search history.

(56) **References Cited**

U.S. PATENT DOCUMENTS

D401,552 S * 11/1998 Tanaka D13/107
D653,206 S * 1/2012 Heine D13/108

D667,301 S * 9/2012 Jones D9/456
D676,377 S * 2/2013 Nokuo D13/108
D749,042 S * 2/2016 Gecawicz D13/107
D789,884 S * 6/2017 Bourgeois D13/107
D850,365 S * 6/2019 Loermann D13/107
D865,663 S * 11/2019 Yao D13/108
D878,048 S * 3/2020 Wang D3/294
10,617,297 B2 * 4/2020 Turner A61B 5/0478
D894,123 S * 8/2020 Xiong D13/108
2018/0014436 A1 * 1/2018 Milevski H05K 9/0007
2019/0069066 A1 * 2/2019 Song H04R 1/1041

* cited by examiner

Primary Examiner — Katie Jane Stofko

(74) *Attorney, Agent, or Firm* — Ladas & Parry LLP

(57) **CLAIM**

The ornamental design for an earphone box, as shown and described.

DESCRIPTION

FIG. 1 is a front, right, top perspective view of an earphone box showing my new design;

FIG. 2 is a rear, bottom perspective view thereof;

FIG. 3 is a front elevation view thereof;

FIG. 4 is a rear elevation view thereof;

FIG. 5 is a left side elevation view thereof;

FIG. 6 is a right side elevation view thereof;

FIG. 7 is a top plan view thereof;

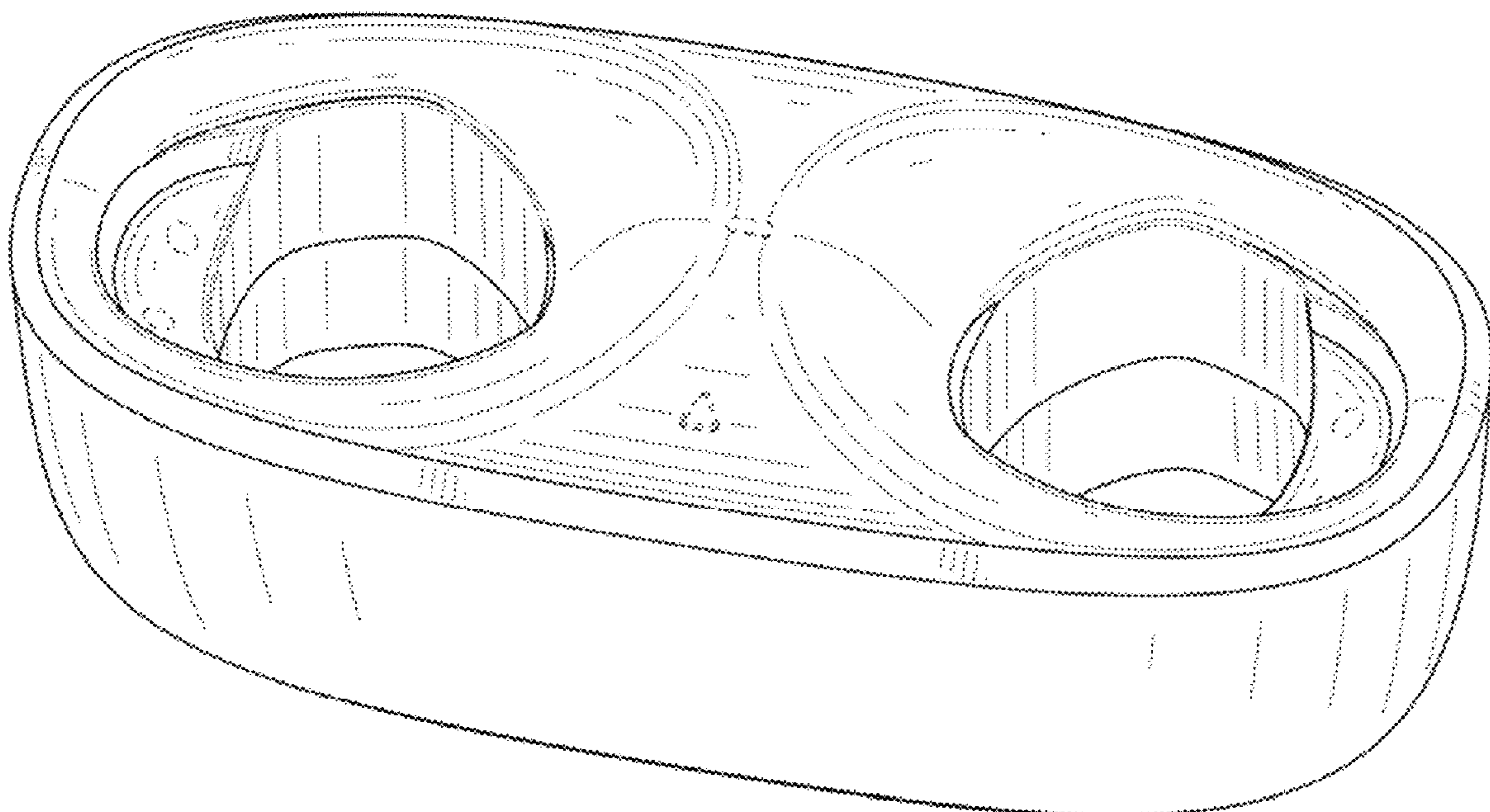
FIG. 8 is a bottom plan view thereof;

FIG. 9 is a front, right, top perspective view, shown in an environment of use; and,

FIG. 10 is a rear, bottom perspective view thereof, shown in an environment of use.

The broken lines shown in FIGS. 9 and 10 illustrate the environment of the claimed design and form no part thereof.

1 Claim, 10 Drawing Sheets



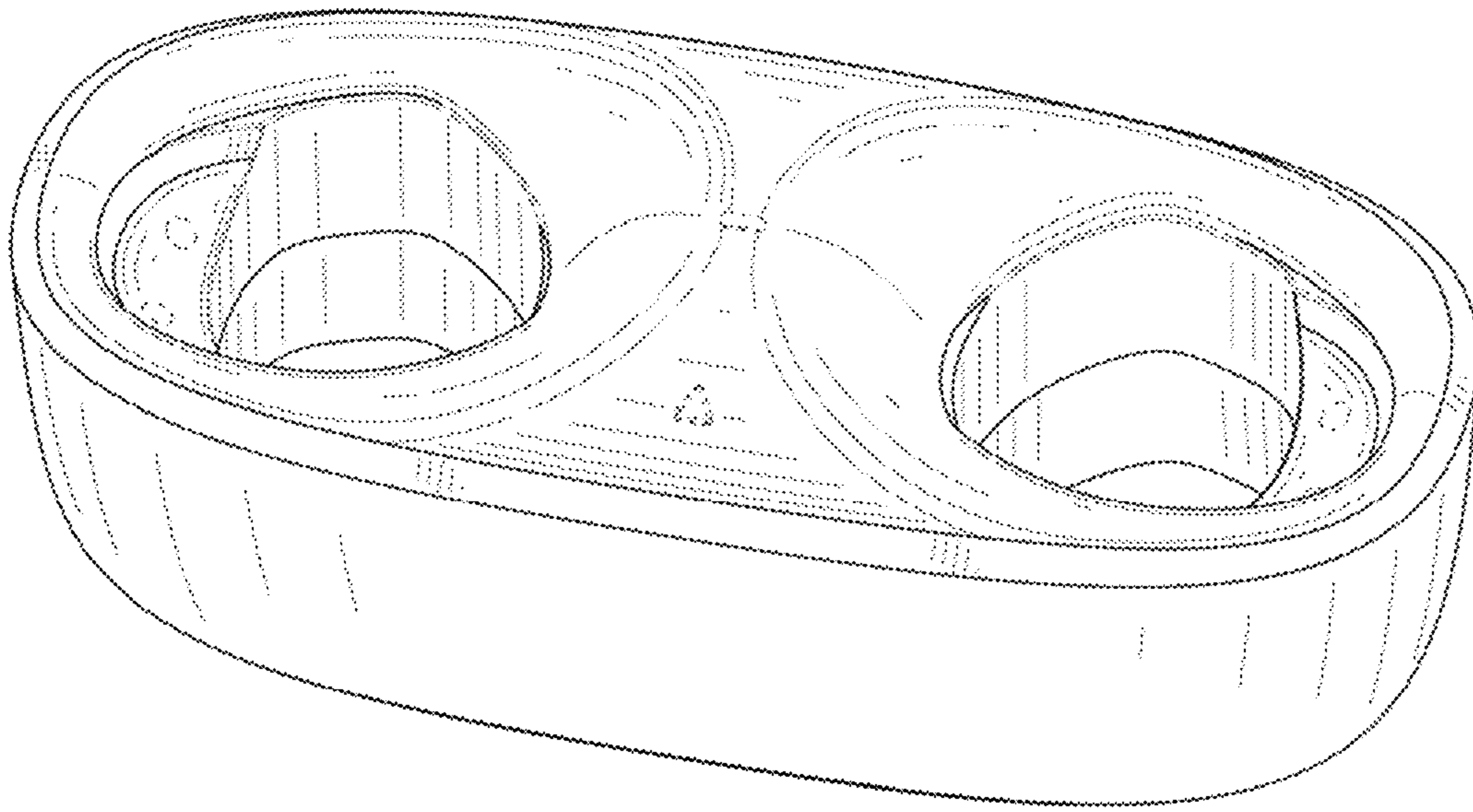


FIG. 1

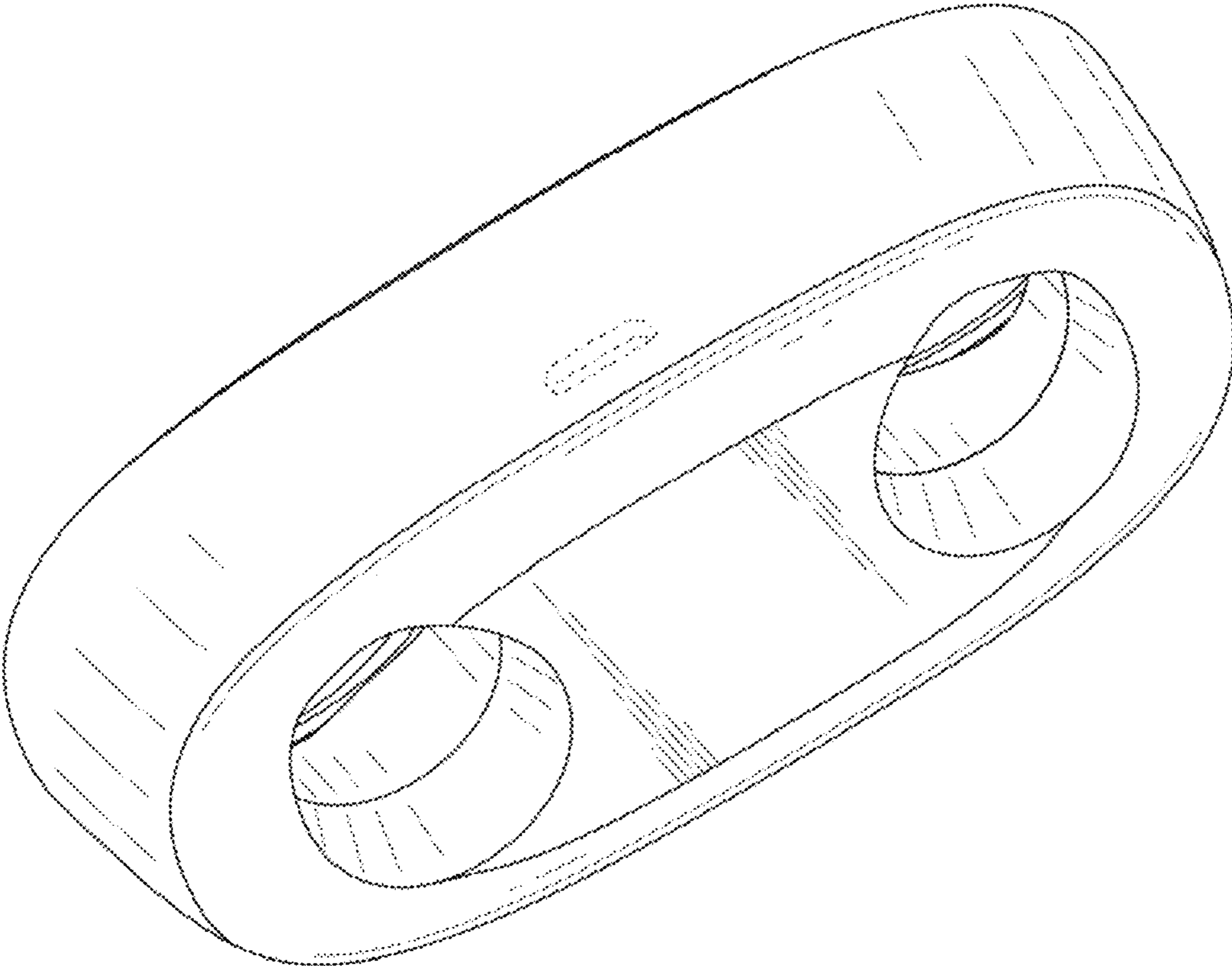


FIG. 2

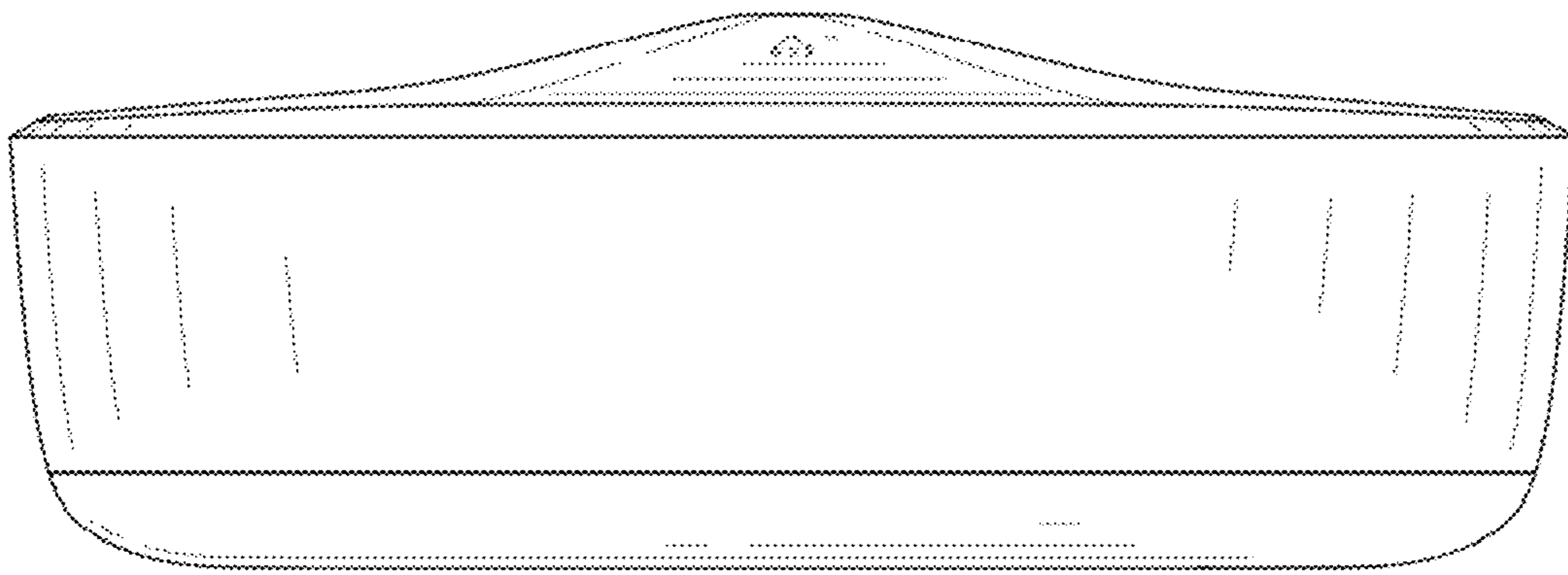


FIG. 3

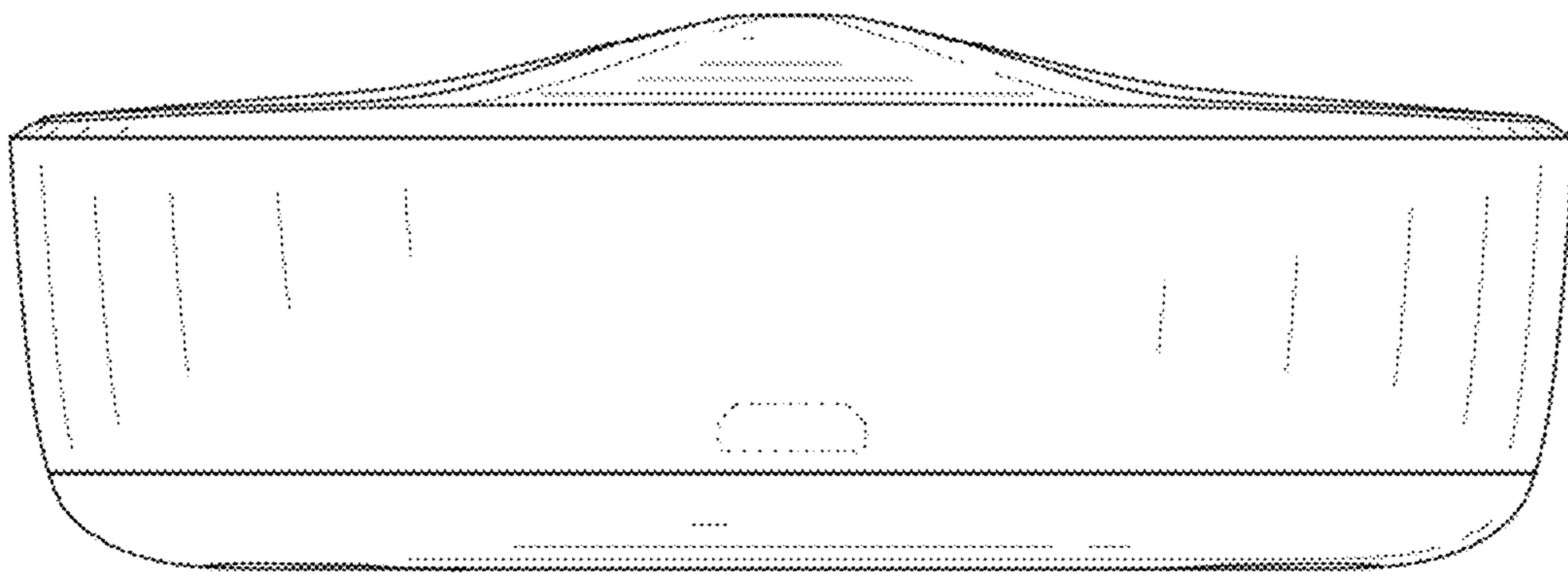


FIG. 4

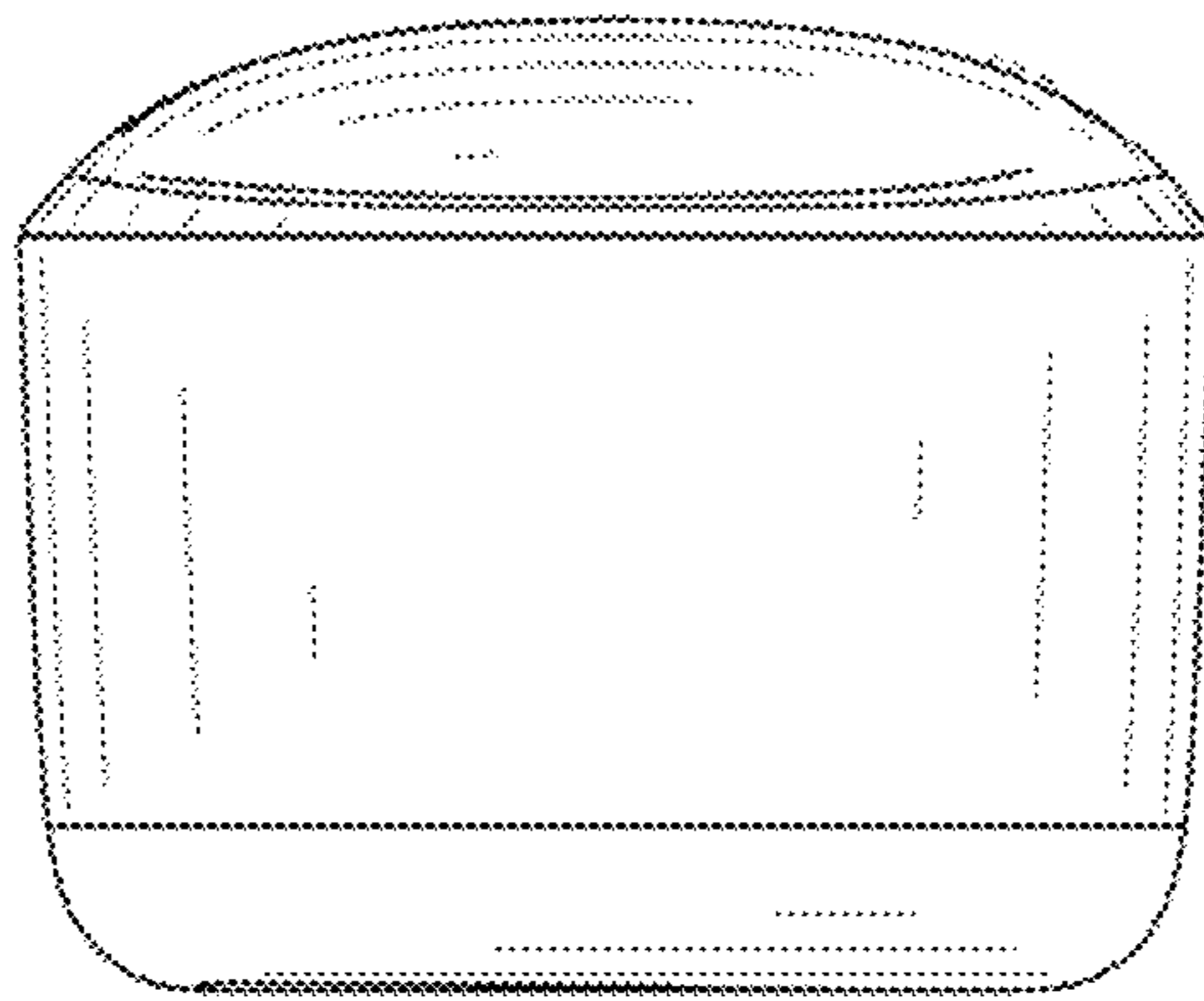


FIG. 5

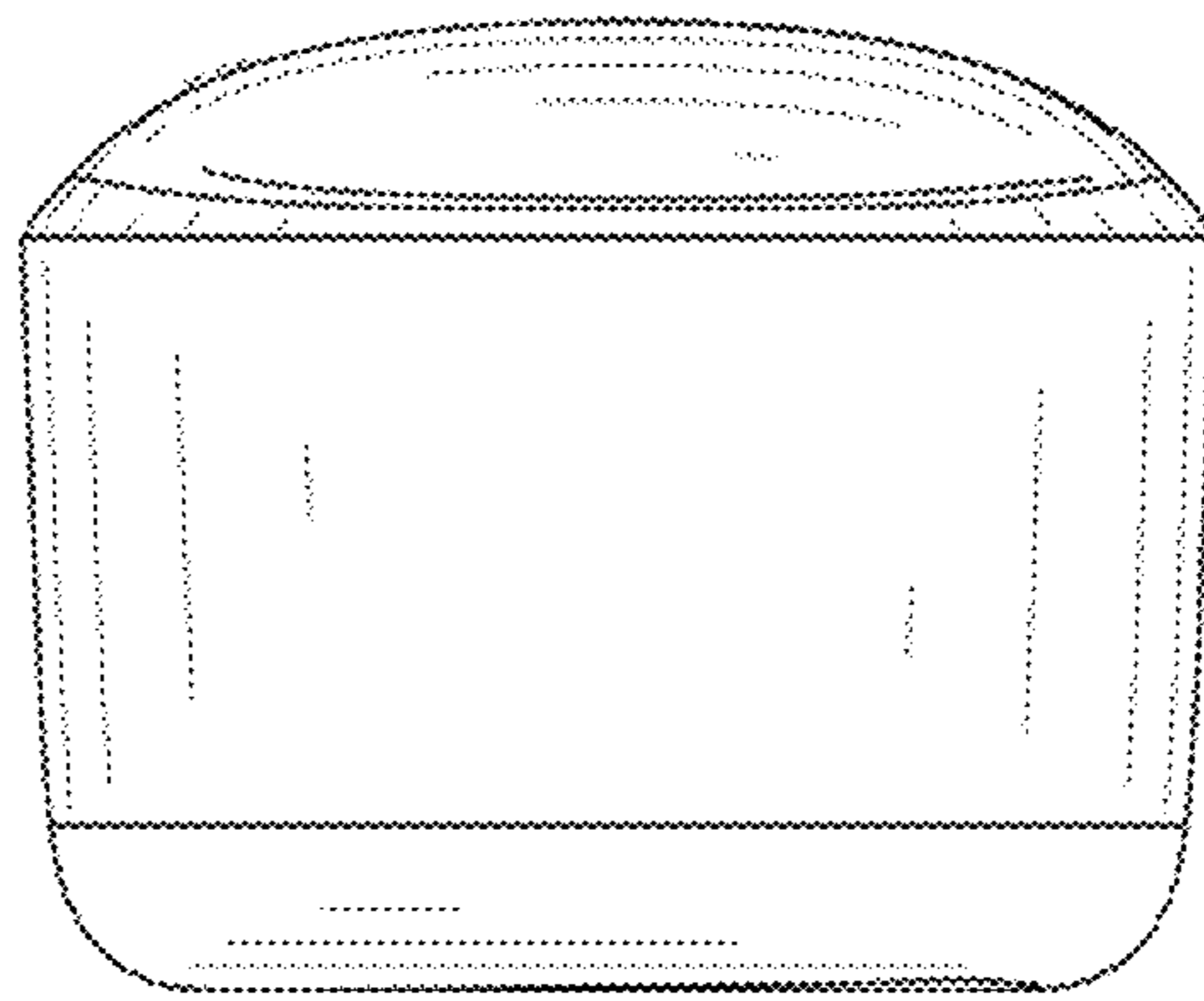


FIG. 6

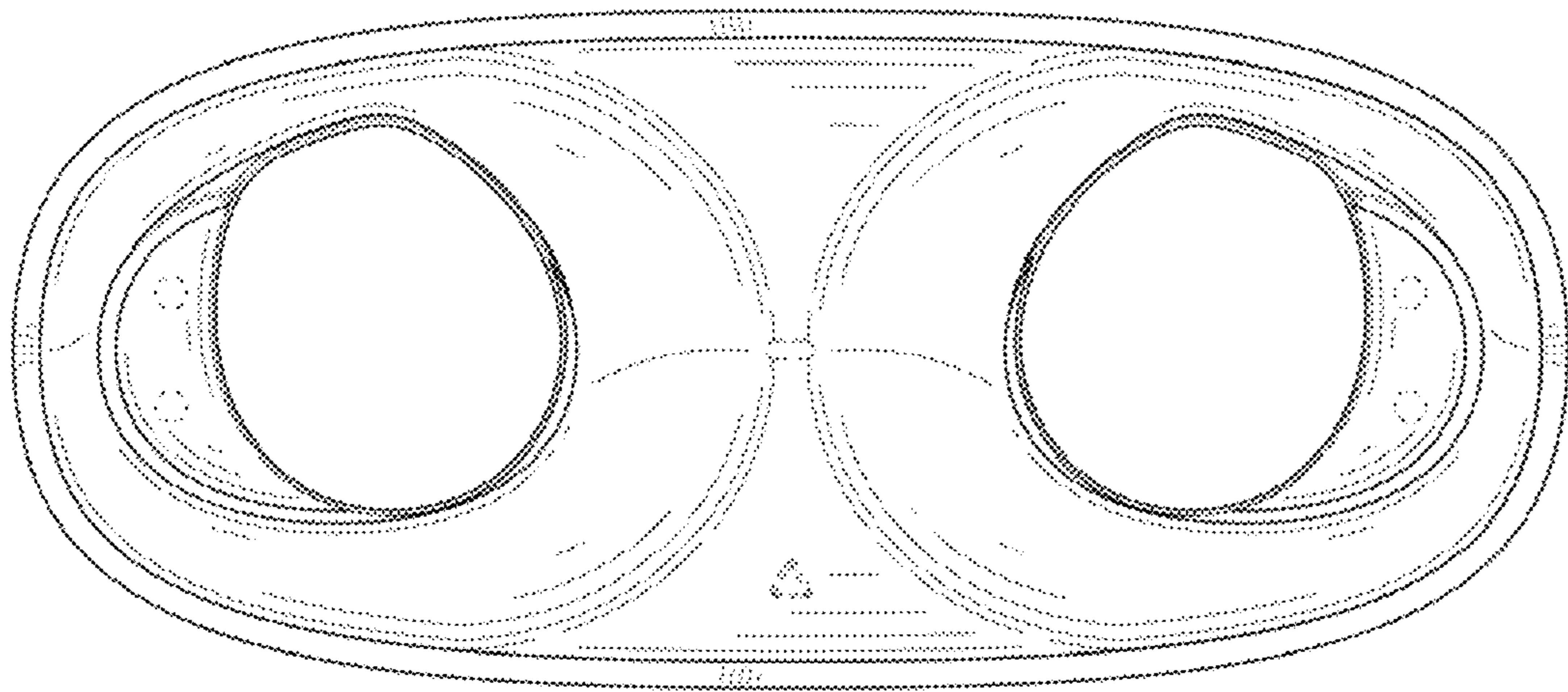


FIG. 7

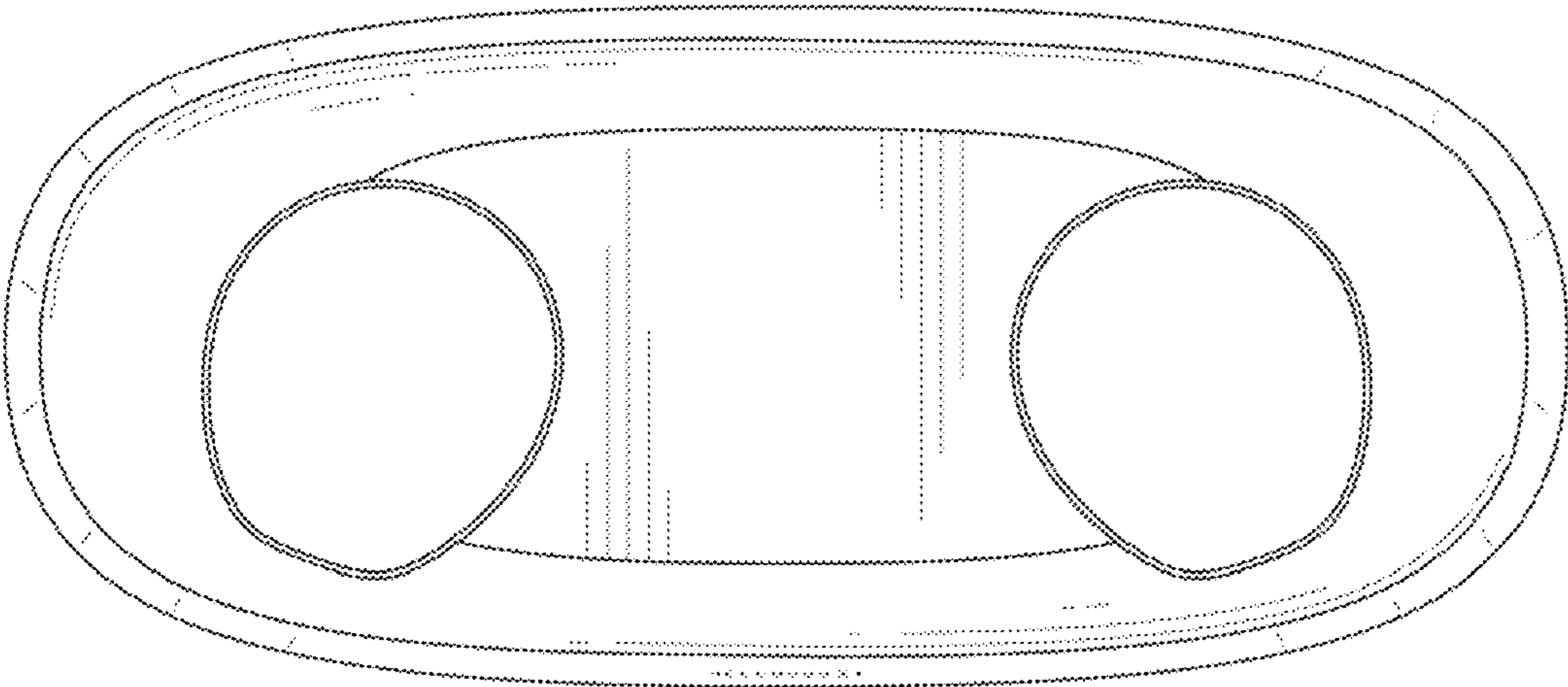


FIG. 8

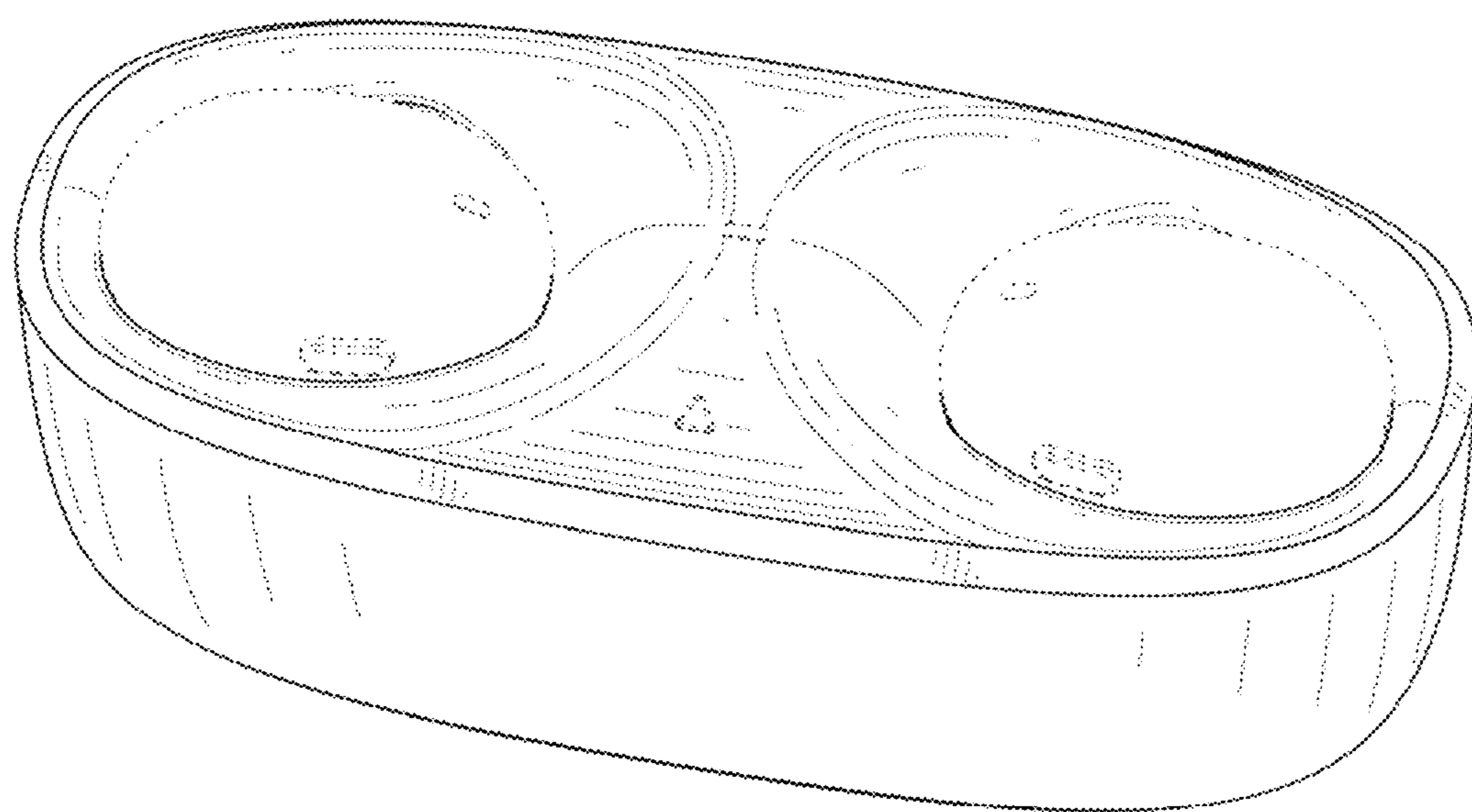


FIG. 9

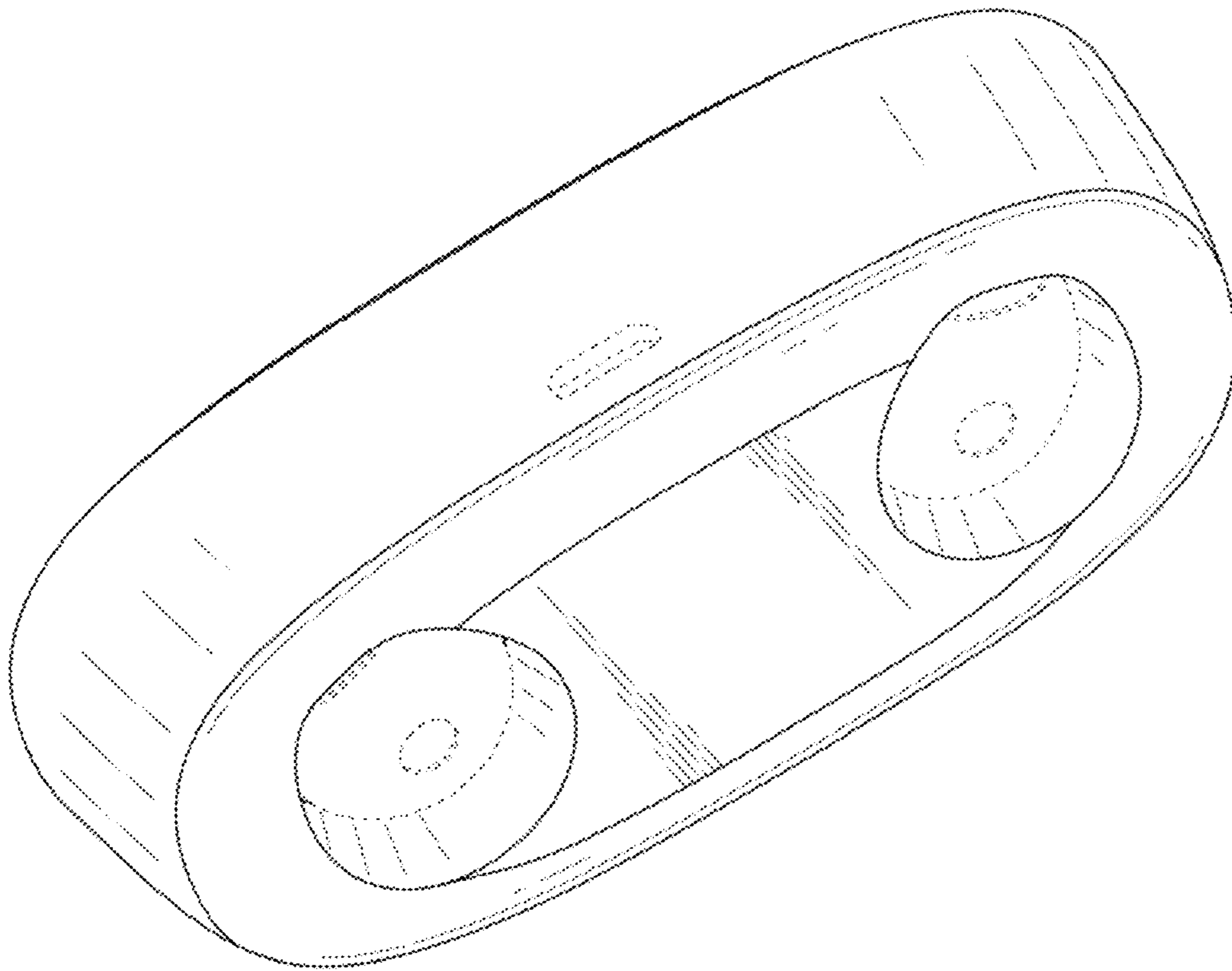


FIG. 10