

US00D902149S

(12) **United States Design Patent**  
**Tu**

(10) **Patent No.:** **US D902,149 S**

(45) **Date of Patent:** **\*\* \*Nov. 17, 2020**

(54) **CHARGING BASE**

(71) Applicant: **Junhua Tu**, Shenzhen (CN)

(72) Inventor: **Junhua Tu**, Shenzhen (CN)

(\*) Notice: This patent is subject to a terminal disclaimer.

(\*\*) Term: **15 Years**

(21) Appl. No.: **29/662,812**

(22) Filed: **Sep. 9, 2018**

(51) **LOC (12) Cl.** ..... **13-02**

(52) **U.S. Cl.**  
USPC ..... **D13/108**

(58) **Field of Classification Search**  
USPC ..... D13/107–110, 118–119, 184; D14/251,  
D14/253, 432, 434  
CPC ..... Y02E 60/12; Y02T 90/14; Y02T 90/122;  
Y02T 90/128; Y02T 90/163; H02J 7/025;  
H02J 7/0042; H02J 7/0044; H02J 7/0045;  
H02J 7/0003; H01F 38/14; H01R  
13/6675; H01M 2/1022; H01M 2/1055;  
H01M 10/44; H01M 10/46; H01M  
10/425; B60L 11/182  
See application file for complete search history.

(56) **References Cited**

**U.S. PATENT DOCUMENTS**

D672,350 S \* 12/2012 Gioscia ..... D14/434  
D680,540 S \* 4/2013 Lee ..... D14/217  
D704,633 S \* 5/2014 Ryu ..... D13/108  
D726,187 S \* 4/2015 Young ..... D14/434

D757,730 S \* 5/2016 Fletcher ..... D14/434  
D769,878 S \* 10/2016 Fletcher ..... D14/434  
D813,805 S \* 3/2018 Zhong ..... D13/108  
D814,413 S \* 4/2018 Zhong ..... D13/108  
D826,851 S \* 8/2018 Wang ..... D13/108  
D840,997 S \* 2/2019 Chen ..... D14/253  
D851,587 S \* 6/2019 Schmidt ..... D13/108  
D852,134 S \* 6/2019 Mei ..... D13/108  
D852,135 S \* 6/2019 Mei ..... D13/108  
D855,566 S \* 8/2019 Chen ..... D13/108  
D857,626 S \* 8/2019 Zhang ..... D13/108  
D858,437 S \* 9/2019 Lu ..... D13/108

\* cited by examiner

*Primary Examiner* — Rosemary K Tarcza

(74) *Attorney, Agent, or Firm* — Wayne & Ken, LLC;  
Tony Hom

(57) **CLAIM**

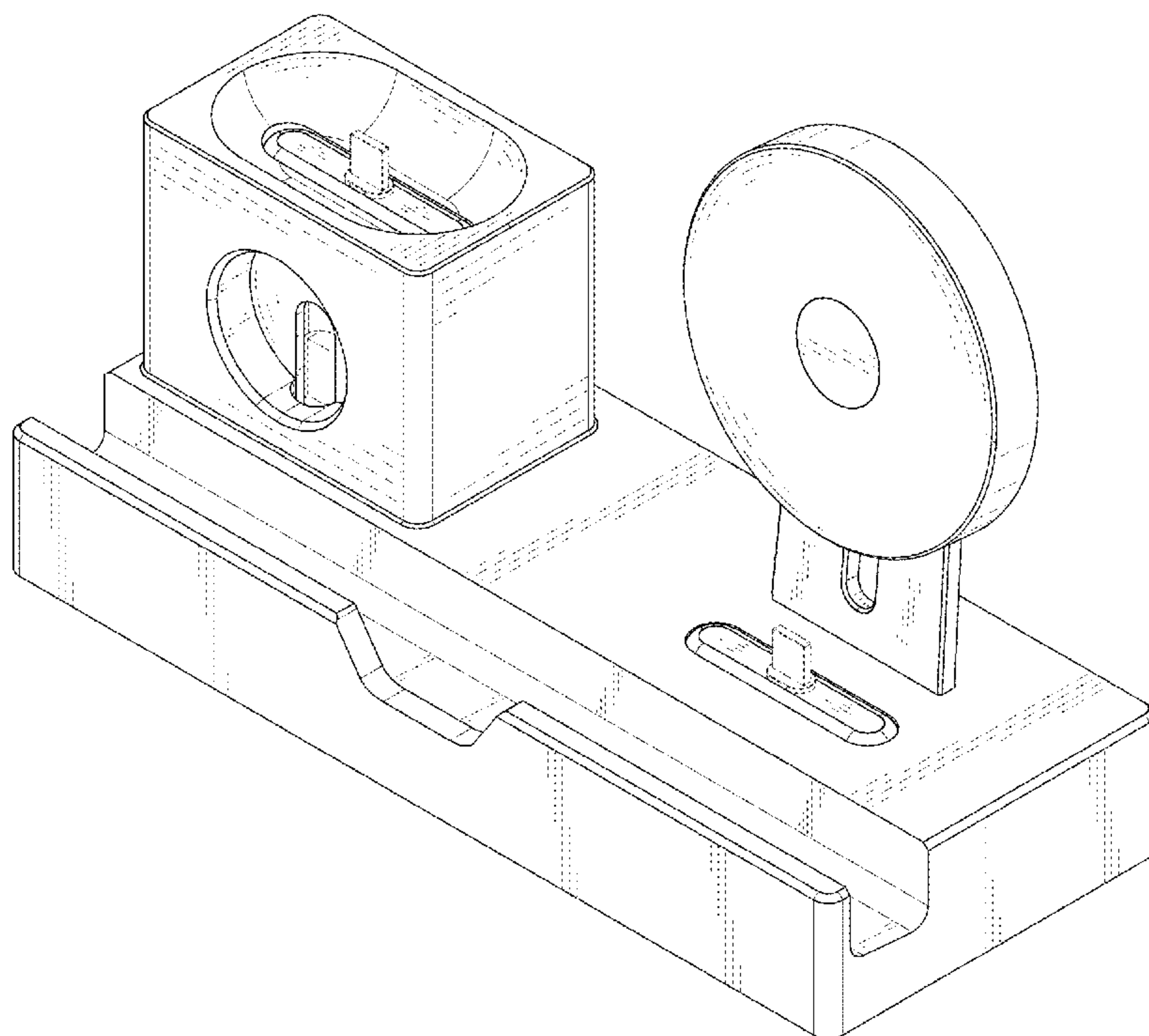
The ornamental design for an charging base, as shown and described.

**DESCRIPTION**

FIG. 1 is a perspective view of an charging base showing my new design;  
FIG. 2 is another perspective view thereof;  
FIG. 3 is a front elevation view thereof;  
FIG. 4 is a back elevation view thereof;  
FIG. 5 is a left side view thereof;  
FIG. 6 is a right side view thereof;  
FIG. 7 is a top plan view thereof; and,  
FIG. 8 is a bottom plan view thereof.

The broken lines in the drawing depict environmental subject matter only and form no part of the claimed design.

**1 Claim, 8 Drawing Sheets**



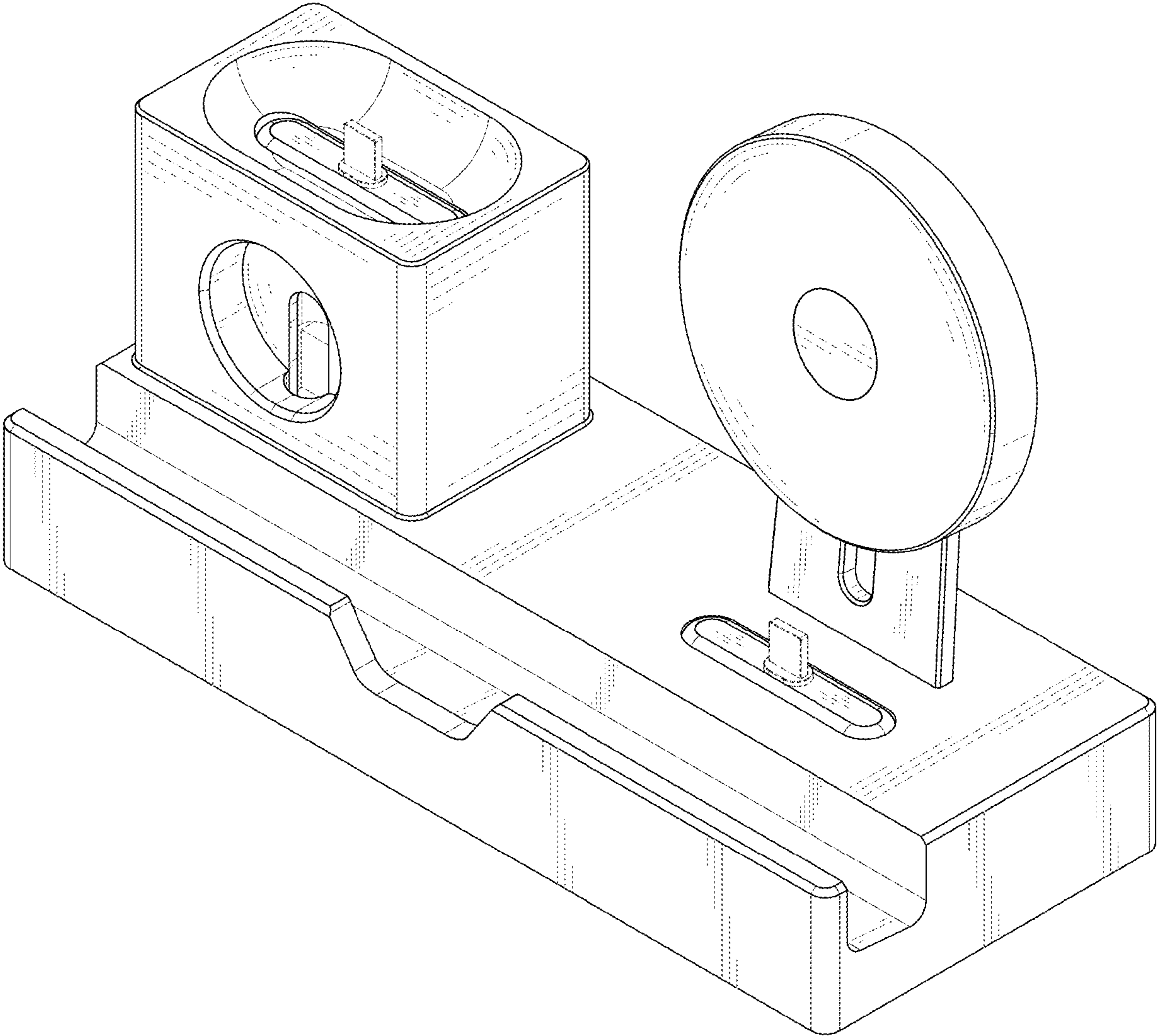


FIG. 1

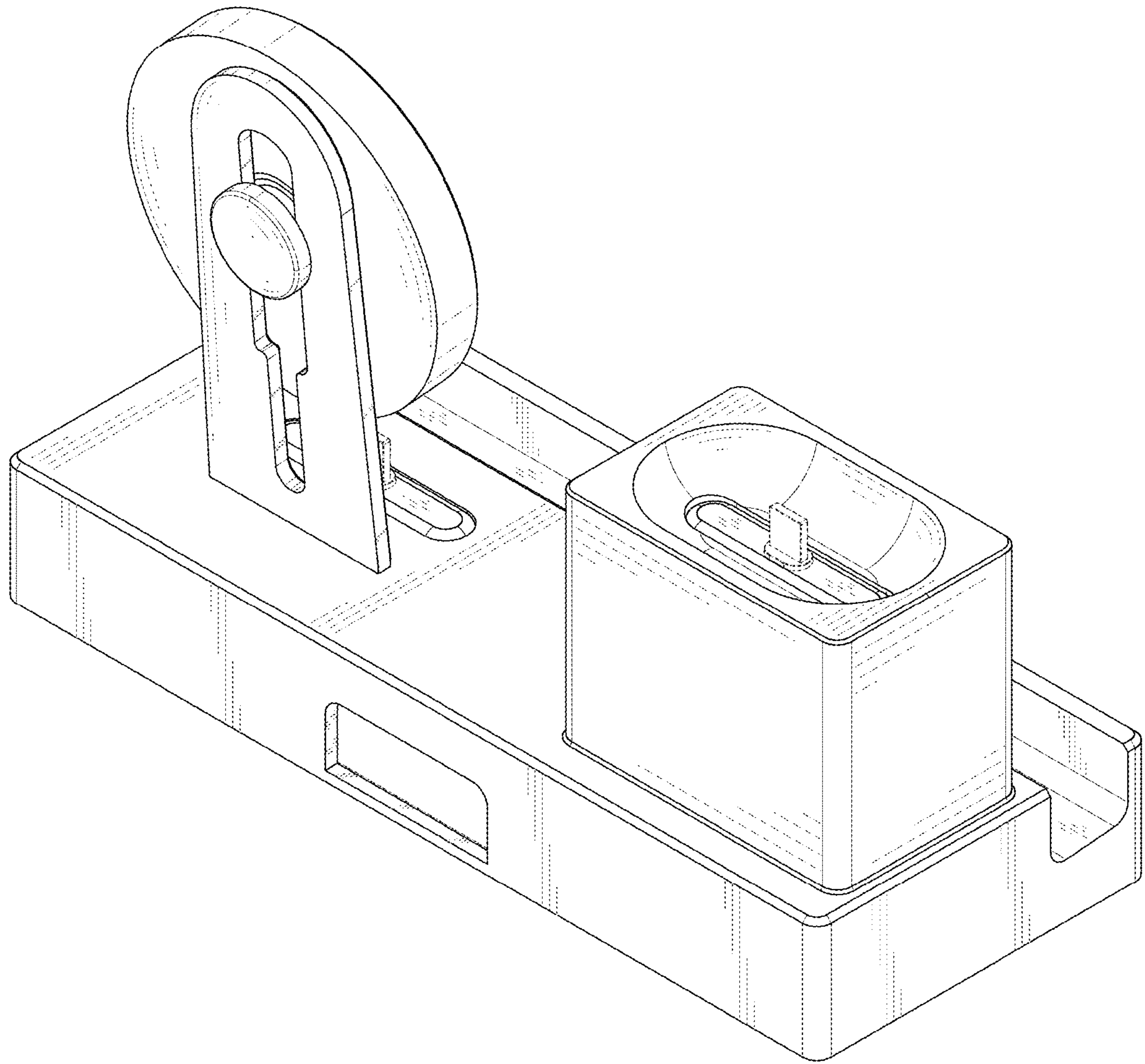


FIG. 2

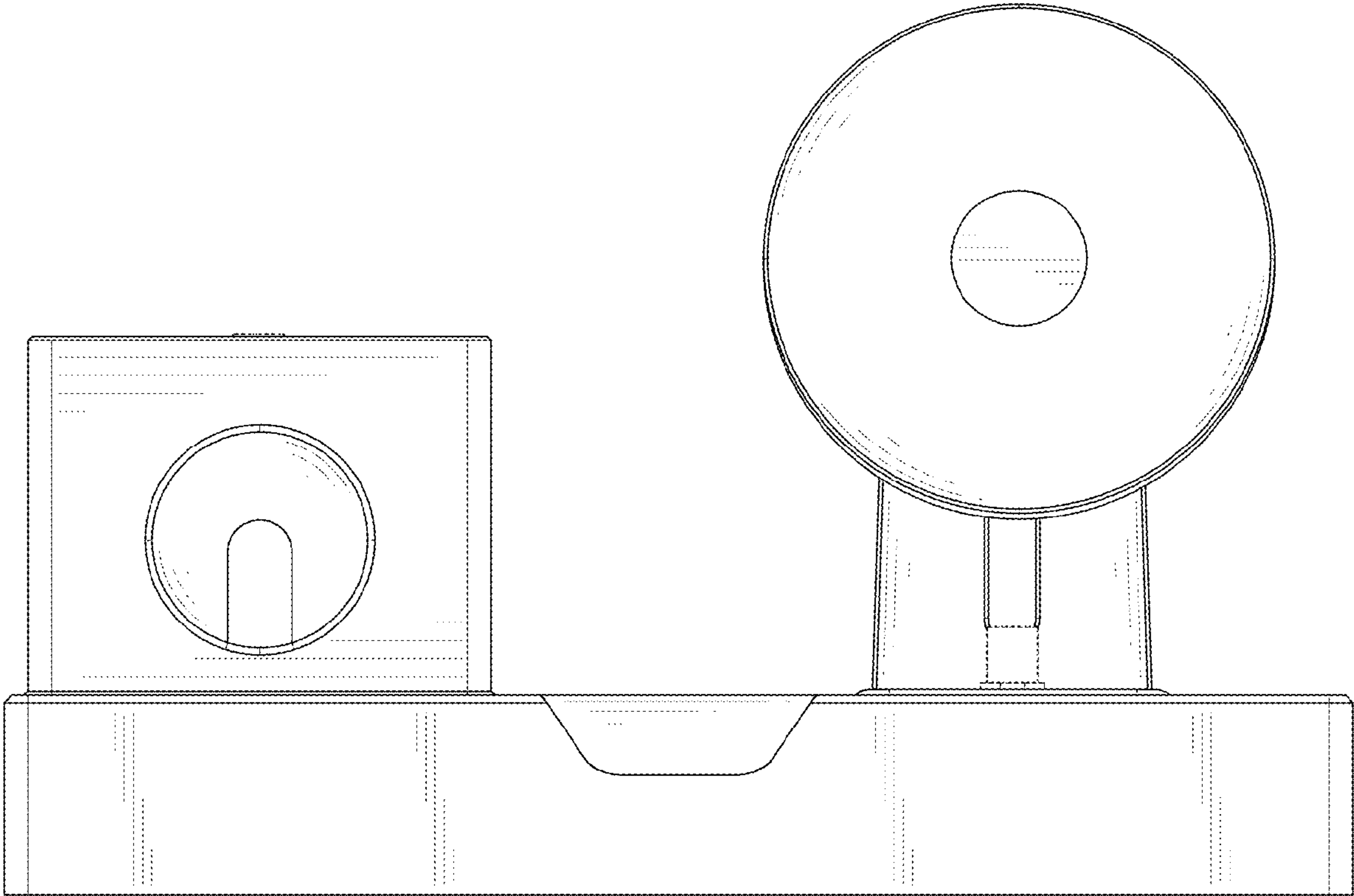


FIG. 3



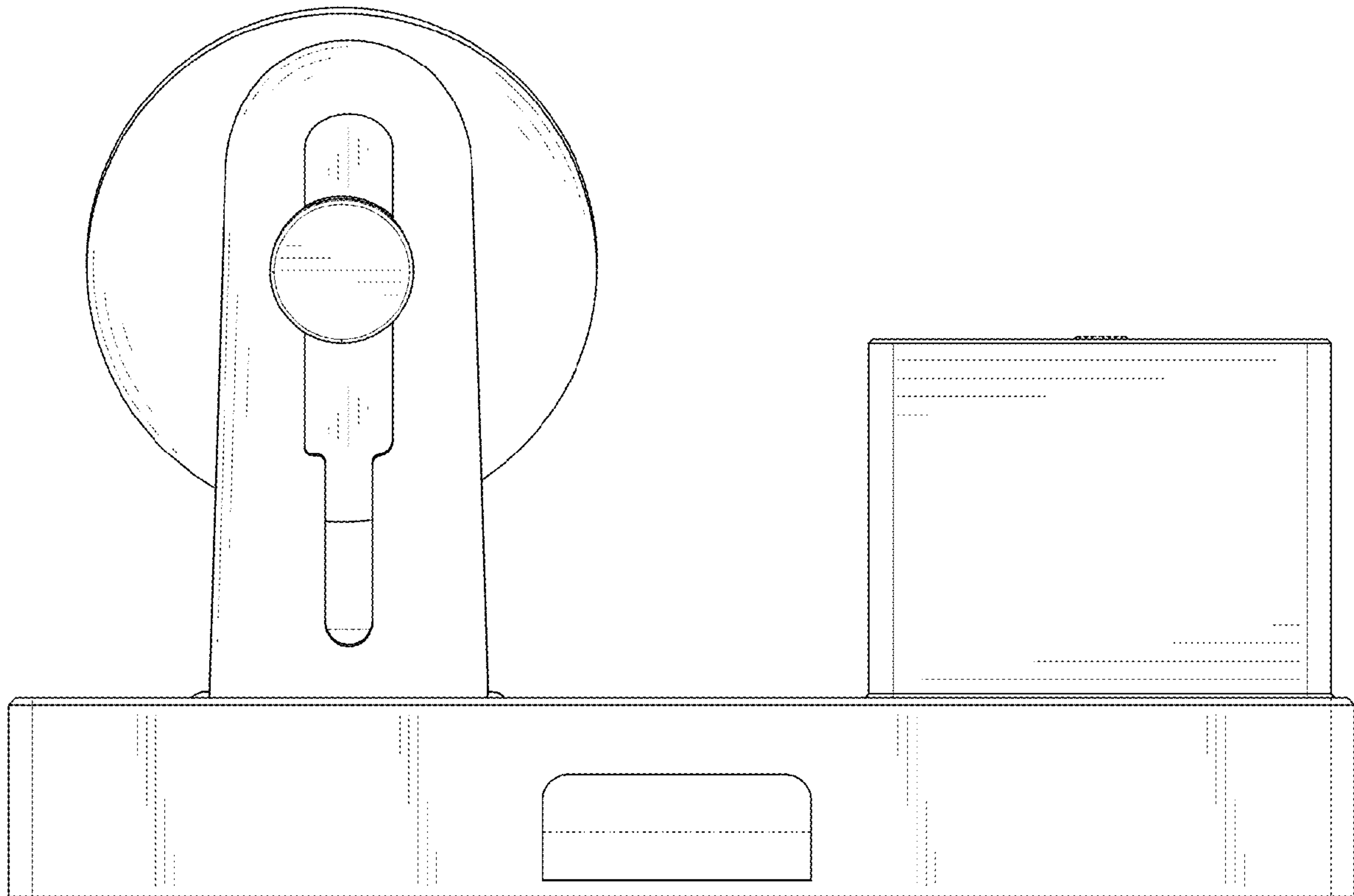


FIG. 4

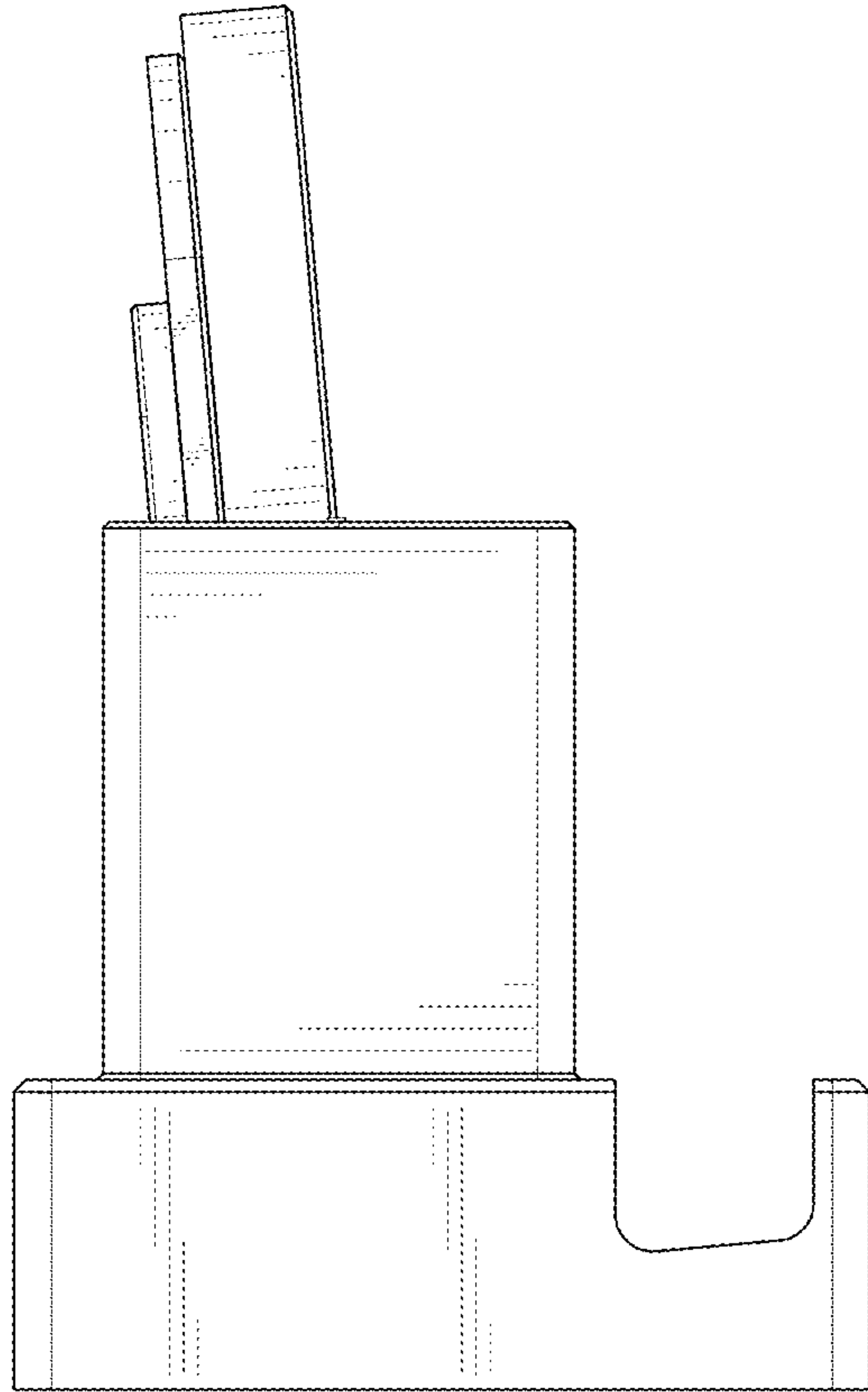


FIG. 5

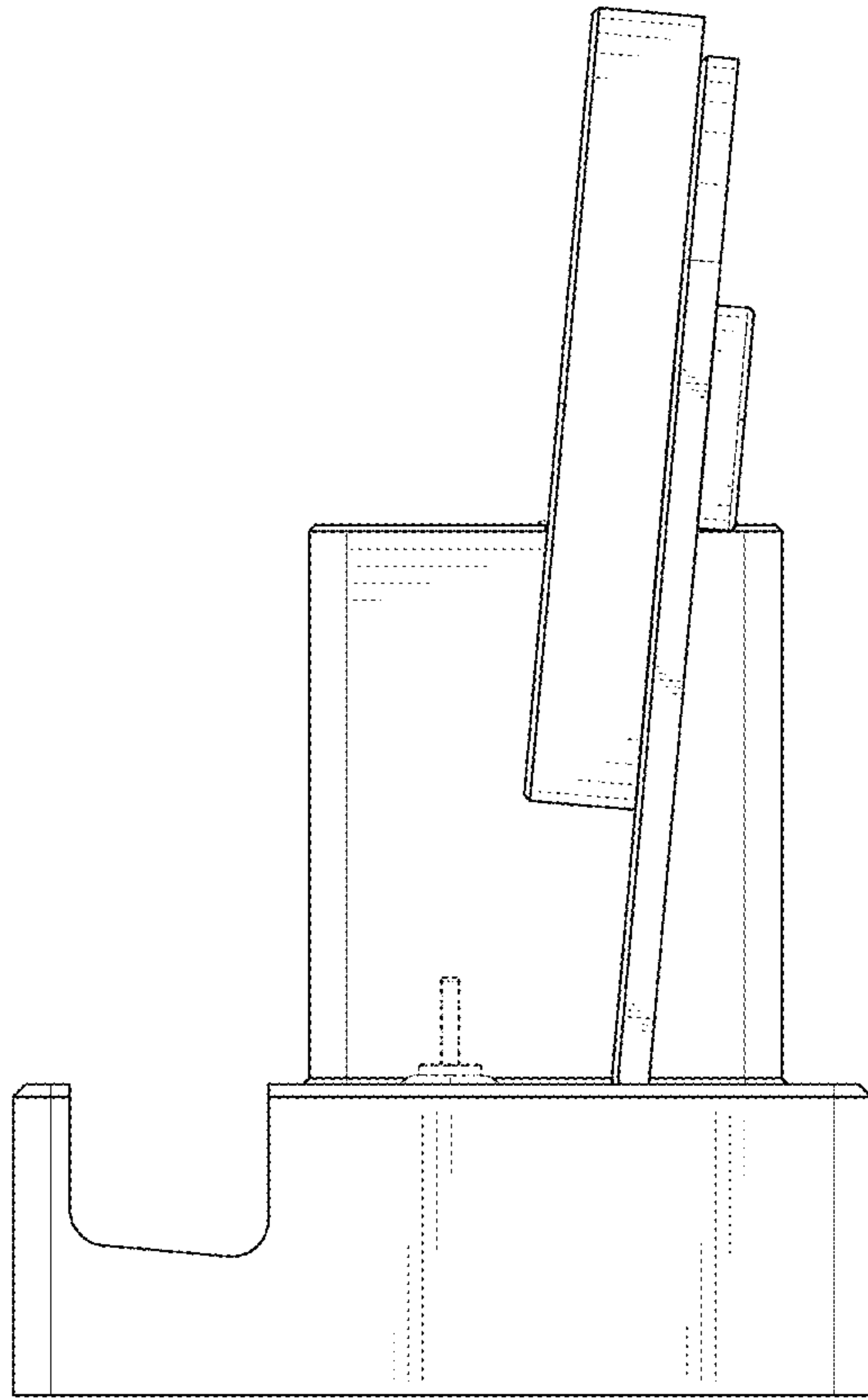


FIG. 6

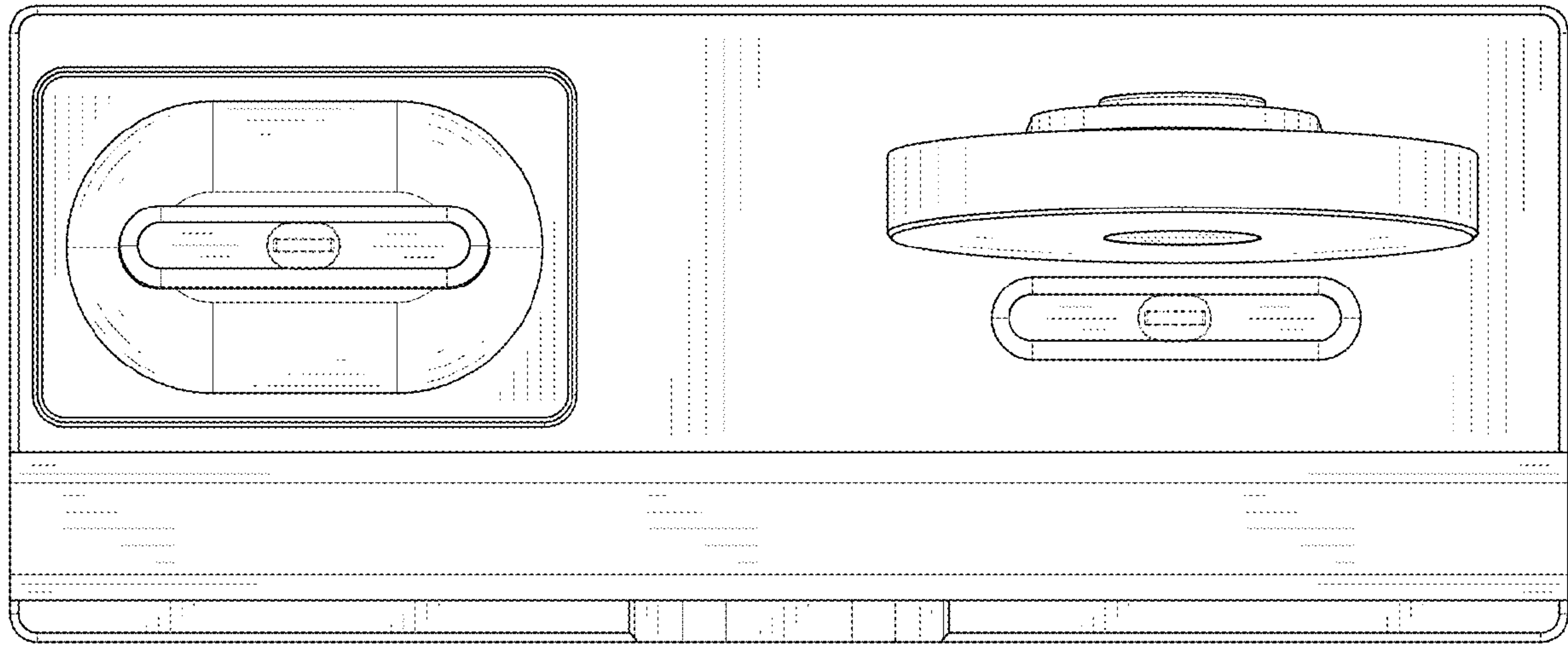


FIG. 7



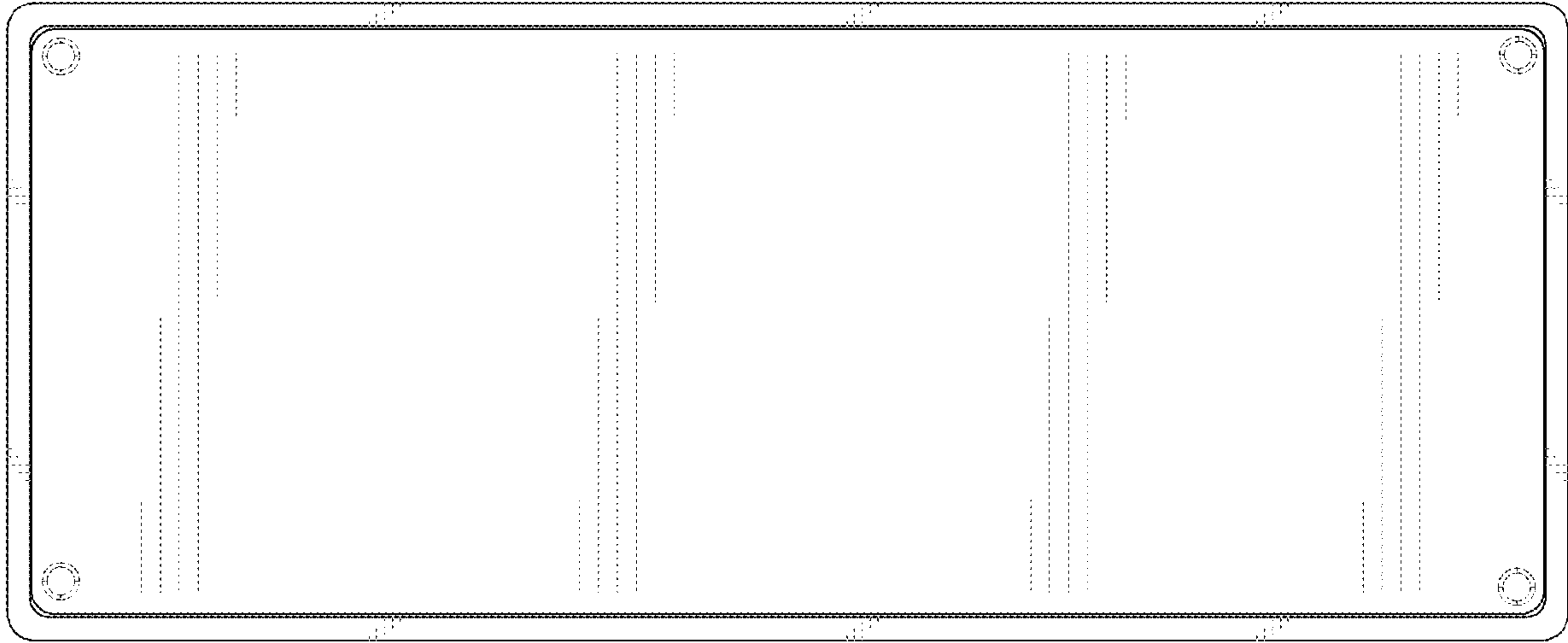


FIG. 8