



US00D902147S

(12) **United States Design Patent** (10) **Patent No.:** **US D902,147 S**
Stray et al. (45) **Date of Patent:** **** Nov. 17, 2020**

(54) **BATTERY DEVICE AND BATTERY CHARGER ASSEMBLY**

(71) Applicant: **ATLAS COPCO INDUSTRIAL TECHNIQUE AB**, Nacka (SE)

(72) Inventors: **Ola Stray**, Saltsjöbaden (SE); **Erik Borg**, Stockholm (SE); **Tobias Larsson**, Årsta (SE)

(73) Assignee: **ATLAS COPCO INDUSTRIAL TECHNIQUE AB**, Nacka (SE)

(**) Term: **15 Years**

(21) Appl. No.: **29/605,370**

(22) Filed: **May 25, 2017**

(30) **Foreign Application Priority Data**

Nov. 25, 2016 (EM) 003482660-0004

(51) **LOC (12) Cl.** **13-02**

(52) **U.S. Cl.**
USPC **D13/107; D13/103**

(58) **Field of Classification Search**
USPC D13/103, 107-108, 110, 118, 184, 199;
D14/251, 253, 432, 434

(Continued)

(56) **References Cited**

U.S. PATENT DOCUMENTS

D328,450 S * 8/1992 Watanabe D13/108
D350,112 S * 8/1994 Lin D13/108

(Continued)

OTHER PUBLICATIONS

Design U.S. Appl. No. 29/605,362, filed May 25, 2017, First Named Inventor: Ola Stray, Title: Battery Device.

(Continued)

Primary Examiner — Rosemary K Tarca

(74) *Attorney, Agent, or Firm* — Holtz, Holtz & Volek PC

(57) **CLAIM**

The ornamental design for a battery device and battery charger assembly, as shown and described.

DESCRIPTION

The patent or application file contains at least one drawing executed in color. Copies of this patent or patent application publication with color drawing(s) will be provided by the Office upon request and payment of the necessary fee.

FIG. 1 is a front, top and right side perspective view of a battery device and battery charger assembly showing our new design;

FIG. 2 is a top plan view thereof;

FIG. 3 is a front elevational view thereof;

FIG. 4 is a rear elevational view thereof;

FIG. 5 is a left side elevational view thereof;

FIG. 6 is a right side elevational view thereof;

FIG. 7 is a bottom plan view thereof;

FIG. 8 is a top plan view thereof, showing the battery device and battery charger assembly in a first state of use;

FIG. 9 is a top plan view thereof, showing the battery device and battery charger assembly in a second state of use;

FIG. 10 is a top plan view thereof, showing the battery device and battery charger assembly in a third state of use;

FIG. 11 is a top plan view thereof, showing the battery device and battery charger assembly in a fourth state of use;

FIG. 12 is a top plan view thereof, showing the battery device and battery charger assembly in a fifth state of use;

FIG. 13 is a top plan view thereof, showing the battery device and battery charger assembly in a sixth state of use;

FIG. 14 is a top plan view thereof, showing the battery device and battery charger assembly in a seventh state of use;

FIG. 15 is a top plan view thereof, showing the battery device and battery charger assembly in an eighth state of use;

FIG. 16 is a top plan view thereof, showing the battery device and battery charger assembly in a ninth state of use;

FIG. 17 is a top plan view thereof, showing the battery device and battery charger assembly in a tenth state of use;

(Continued)

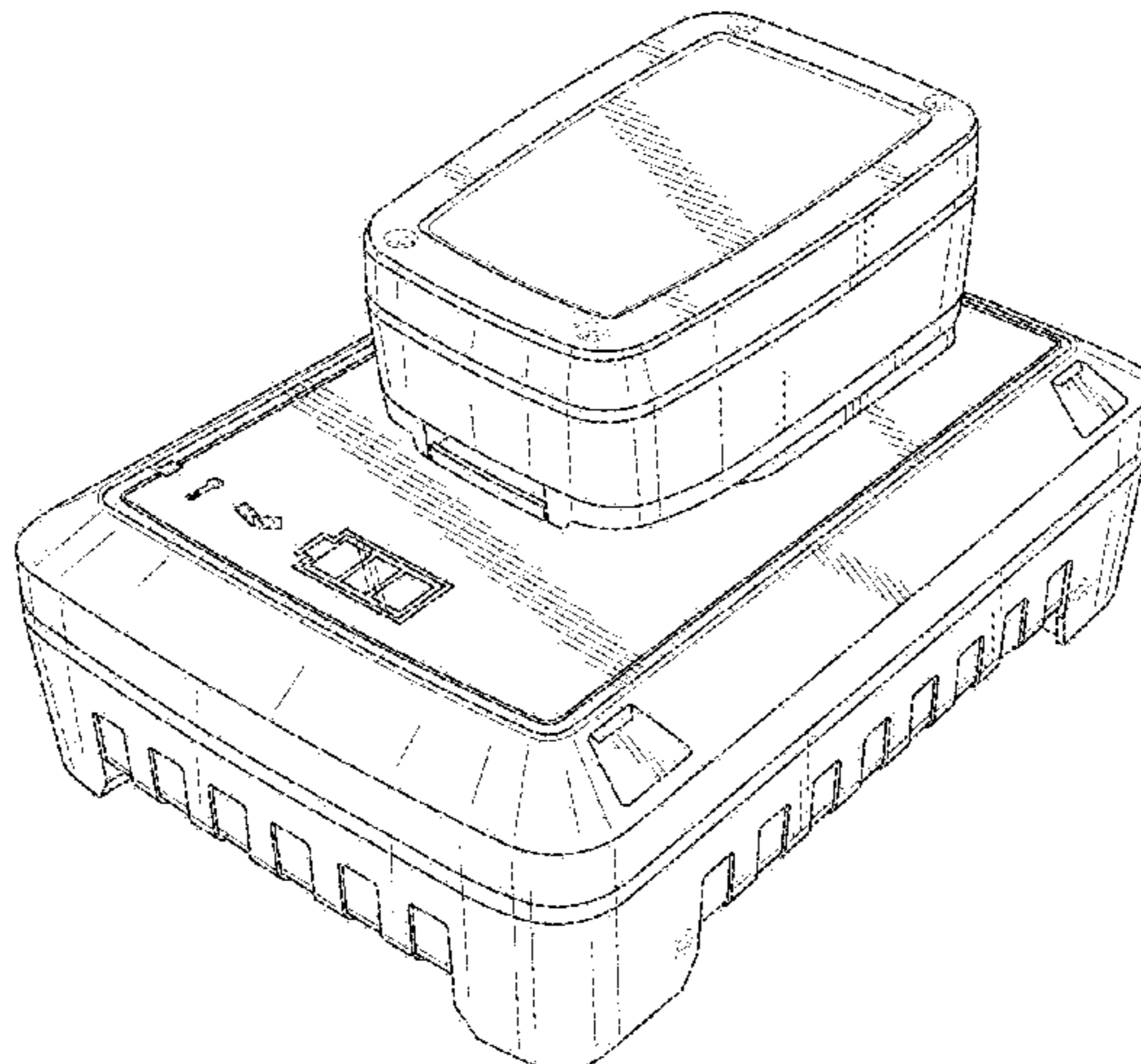


FIG. 18 is a top plan view thereof, showing the battery device and battery charger assembly in an eleventh state of use;

FIG. 19 is a top plan view thereof, showing the battery device and battery charger assembly in a twelfth state of use;

FIG. 20 is a top plan view thereof, showing the battery device and battery charger assembly in a thirteenth state of use; and,

FIG. 21 is a top plan view thereof, showing the battery device and battery charger assembly in a fourteenth state of use.

The broken lines in the drawings are for the purpose of illustrating portions of the battery device and battery charger assembly that form no part of the claimed design.

**1 Claim, 19 Drawing Sheets
(14 of 19 Drawing Sheet(s) Filed in Color)**

(58) **Field of Classification Search**

CPC H02J 7/02; H02J 7/0013; H02J 7/0021;
H02J 7/0022; H02J 7/0026; H02J 7/0027;
H02J 7/0042; H02J 7/0044; H02J 7/0045;
H02J 7/0003; H01M 10/44; H01M
10/441

See application file for complete search history.

(56) **References Cited**

U.S. PATENT DOCUMENTS

D404,006 S * 1/1999 Clowers D13/107
D409,976 S * 5/1999 Buck D13/107
D417,649 S * 12/1999 Higgins D13/107
D420,323 S * 2/2000 Nakamura D13/107
D436,917 S 1/2001 Hayakawa et al.
D462,657 S * 9/2002 Kaneko D13/107
D483,012 S 12/2003 Hsu
D507,234 S * 7/2005 Heun D13/107
D507,525 S * 7/2005 Heun D13/107
D537,408 S 2/2007 Aglassinger

D541,214 S * 4/2007 Ino D13/107
D548,687 S * 8/2007 Okuda D13/107
D550,152 S 9/2007 Okuda et al.
D568,239 S 5/2008 Okada et al.
D588,986 S 3/2009 Zhang
D597,935 S 8/2009 Aglassinger
D598,373 S 8/2009 Aglassinger
D601,088 S 9/2009 Scheucher
D606,935 S 12/2009 Murayama et al.
D607,814 S 1/2010 Tsuzuki et al.
D610,085 S * 2/2010 Sweeney D13/107
D635,917 S * 4/2011 Okuda D13/107
D640,190 S 6/2011 Aglassinger
D640,628 S 6/2011 Lopano et al.
D640,975 S 7/2011 Okuda et al.
D642,518 S * 8/2011 Kokawa D13/107
D643,809 S 8/2011 Okuda et al.
D657,307 S 4/2012 Zhao
D658,578 S 5/2012 Davis
D668,219 S 10/2012 Zhao et al.
D682,193 S 5/2013 Corbin
D685,730 S 7/2013 Hamm et al.
D711,314 S * 8/2014 Marino D13/107
D721,648 S * 1/2015 Breines D13/107
D770,377 S 11/2016 Kondo
D785,562 S 5/2017 Cooper
D800,650 S 10/2017 Itoh et al.
D801,919 S 11/2017 Elder
D818,948 S 5/2018 Waldron
D838,239 S * 1/2019 Stray D13/107
D840,926 S * 2/2019 Howell D13/107
D844,558 S 4/2019 Taniguchi et al.
D855,019 S * 7/2019 Rustill D13/108
D865,661 S * 11/2019 Lin D13/107
D870,656 S * 12/2019 Waldron D13/107
2016/0293909 A1 10/2016 O'Sullivan et al.

OTHER PUBLICATIONS

Design U.S. Appl. No. 29/605,365, filed May 25, 2017, First Named
Inventor: Ola Stray, Title: Battery Charger.
Non-Final Office Action dated Feb. 3, 2020 issued in U.S. Appl. No.
29/605,362.

* cited by examiner

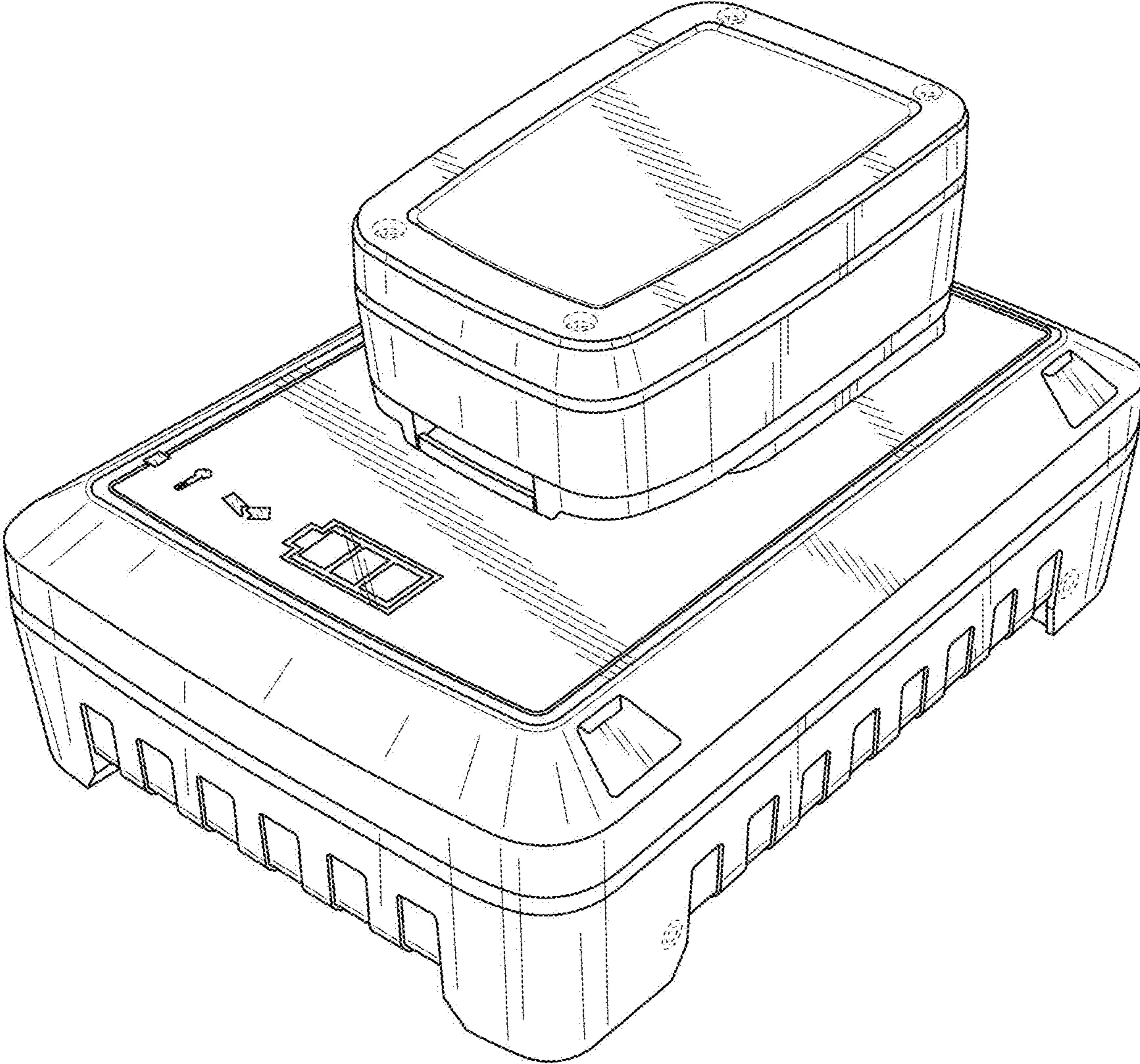


FIG. 1

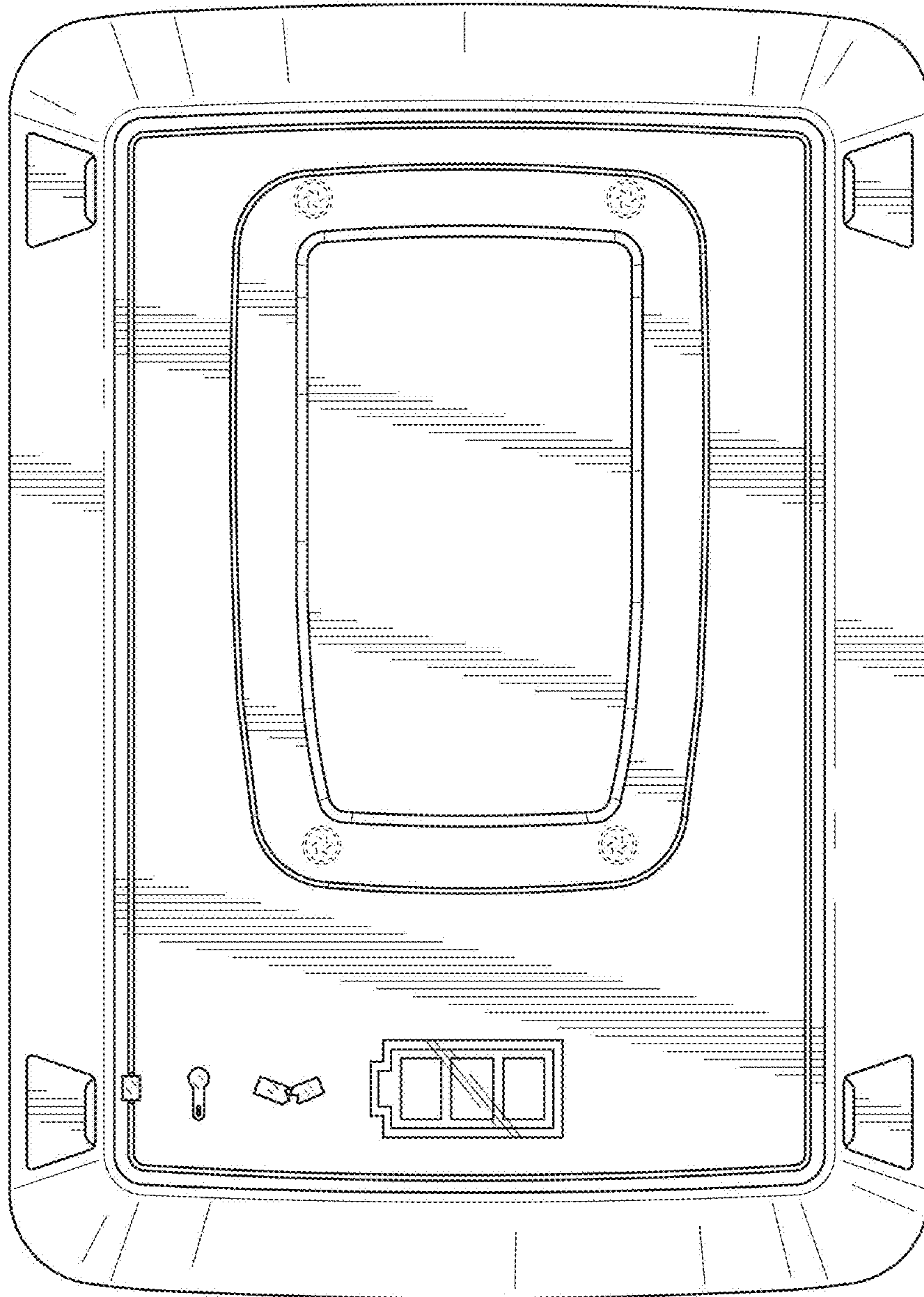


FIG. 2

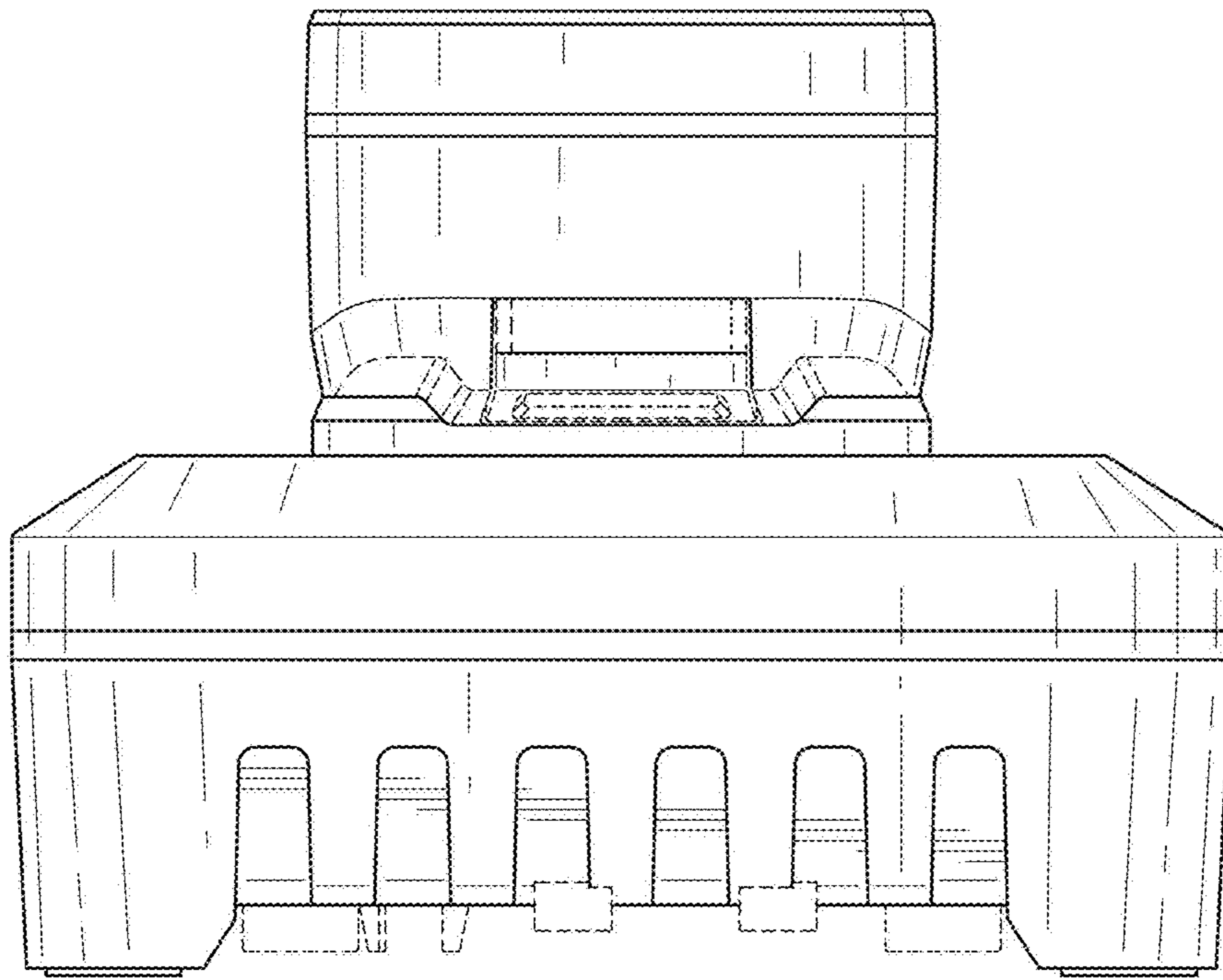


FIG. 3

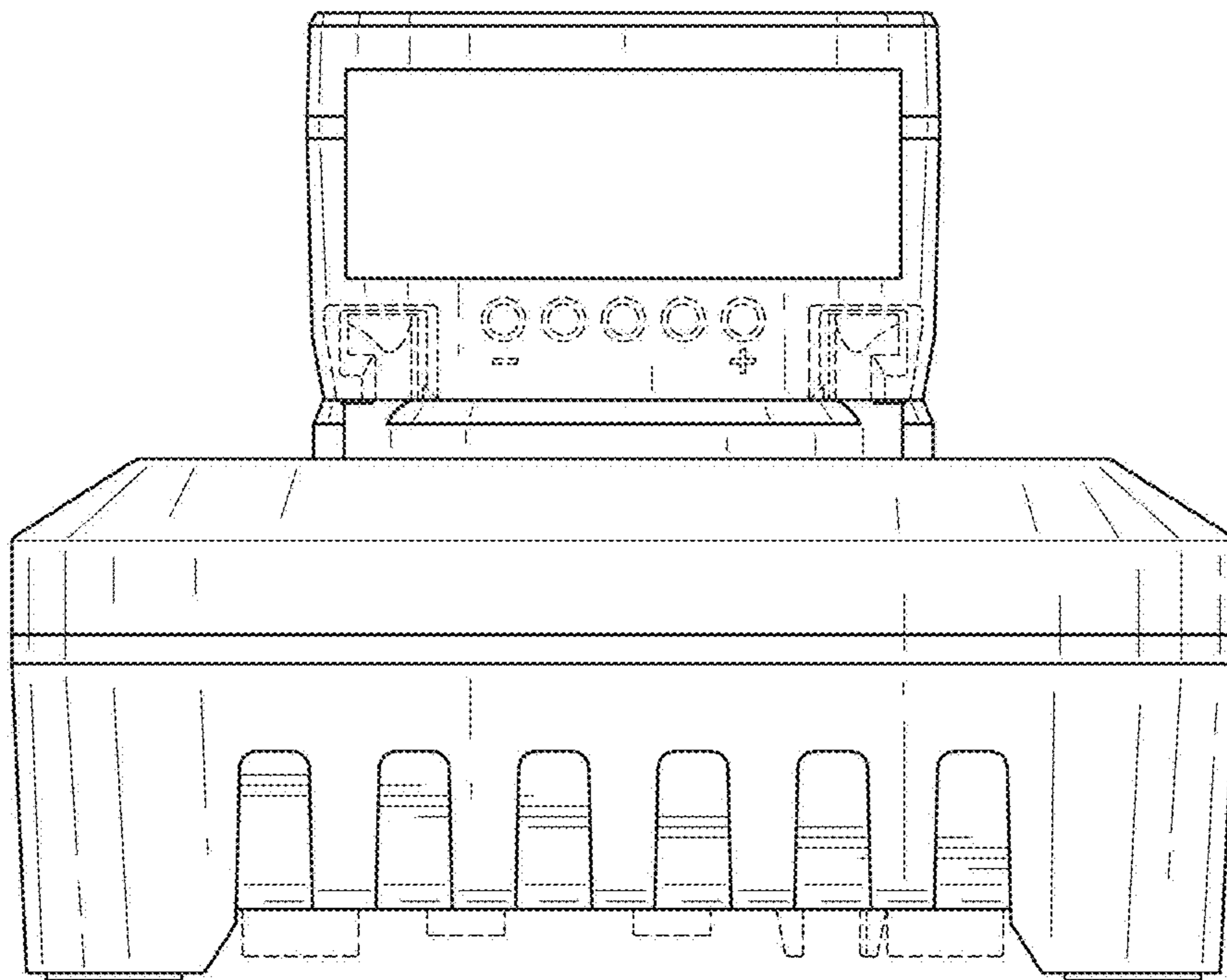


FIG. 4

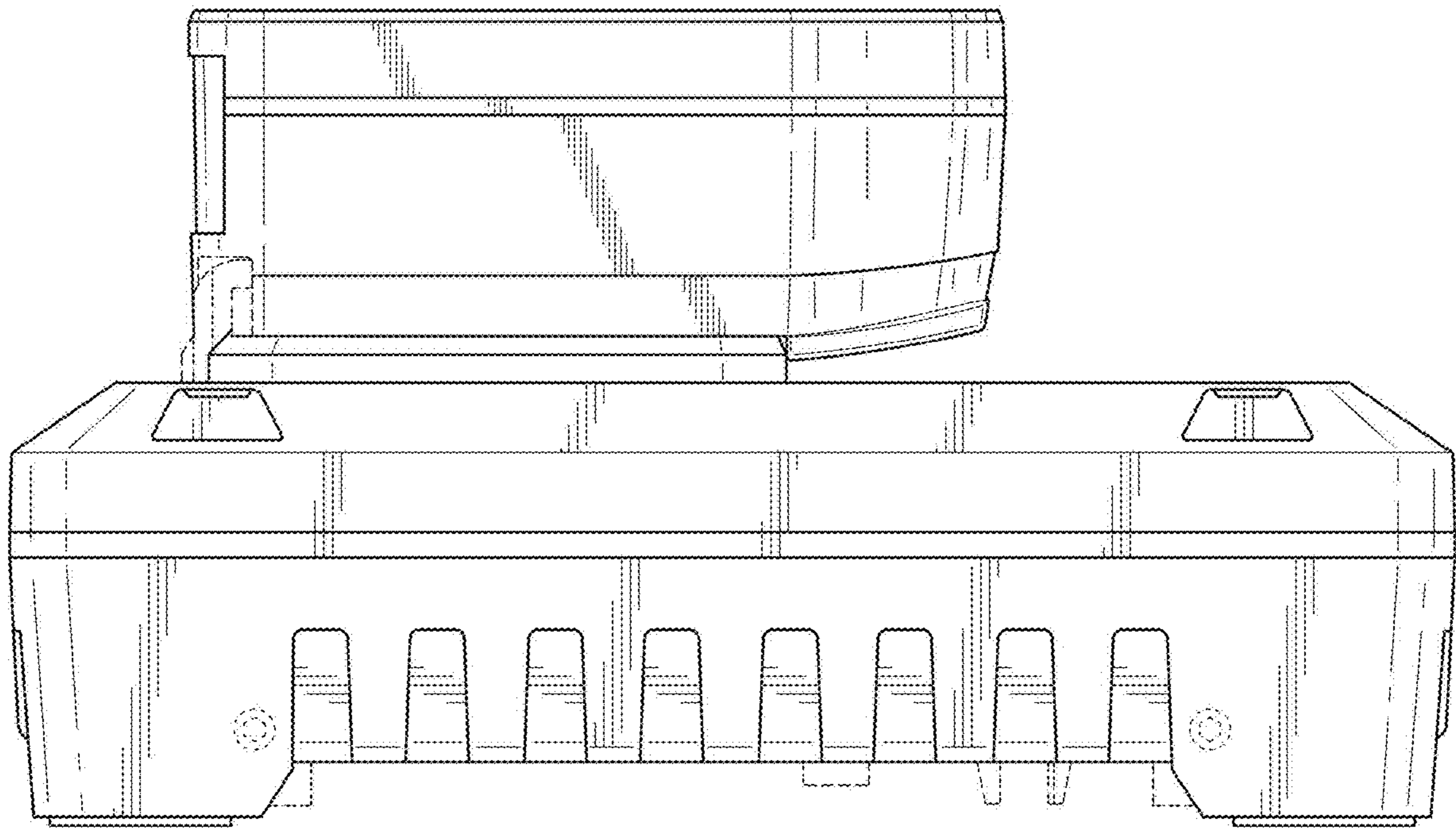


FIG. 5

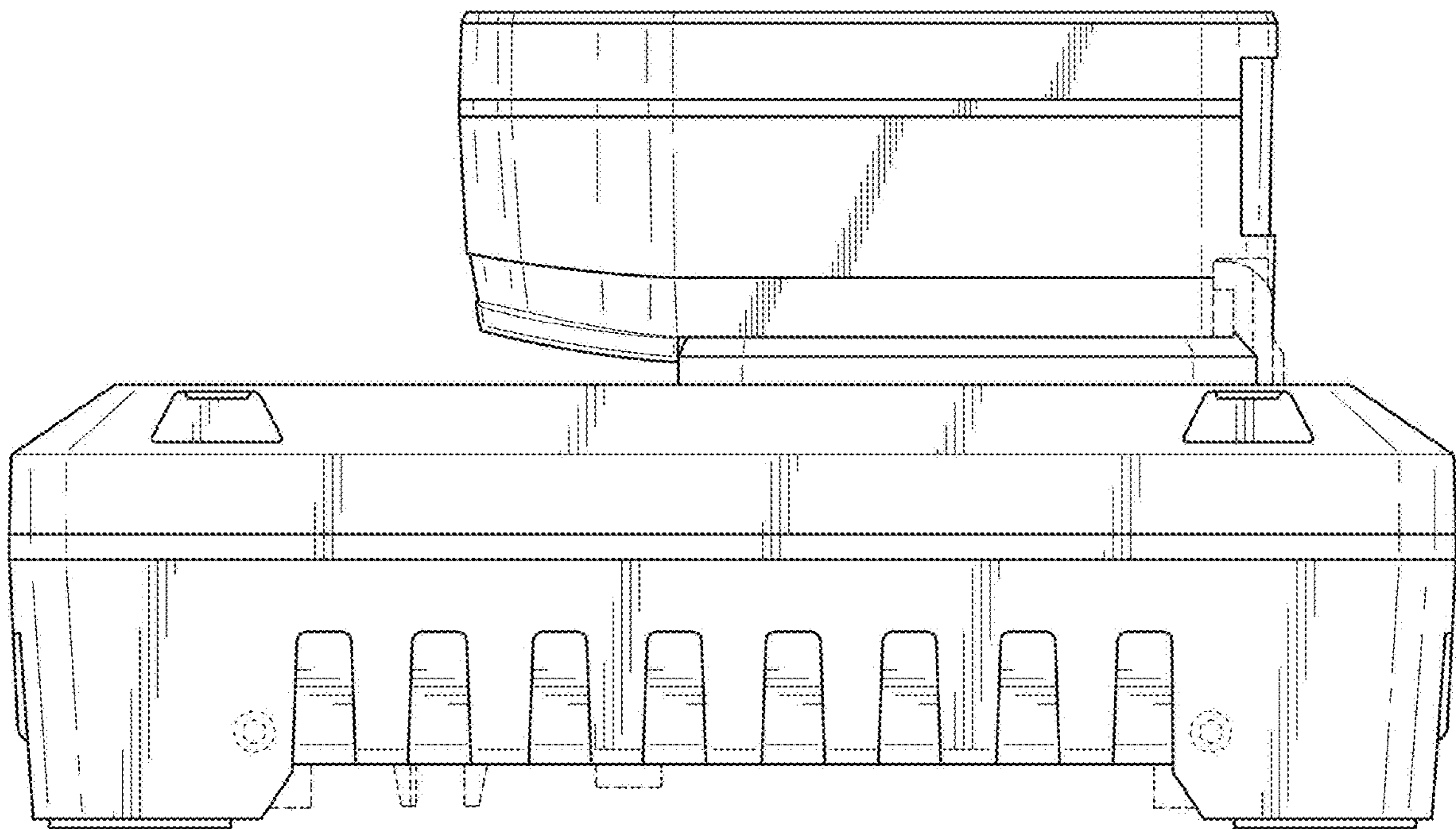


FIG. 6

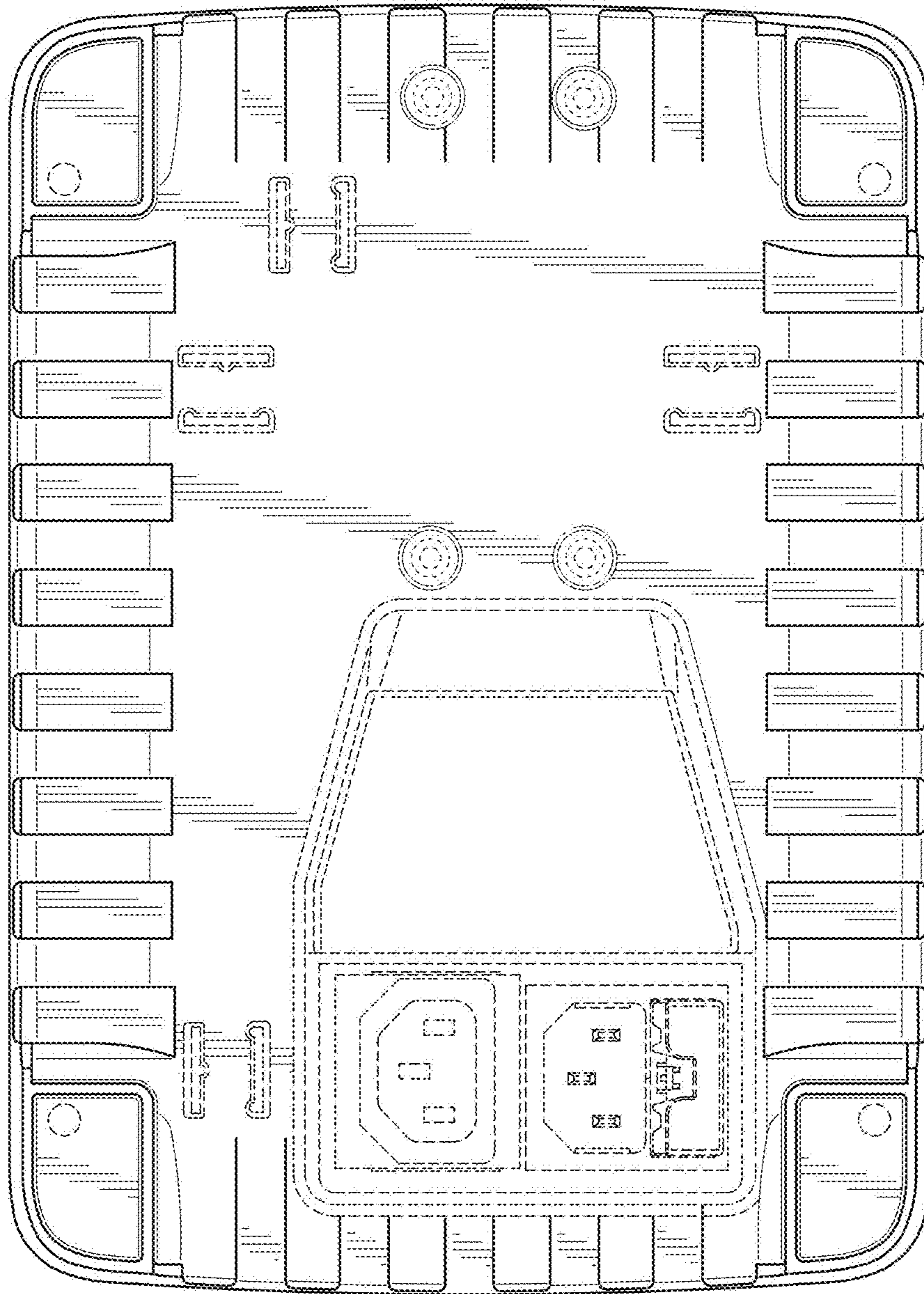


FIG. 7

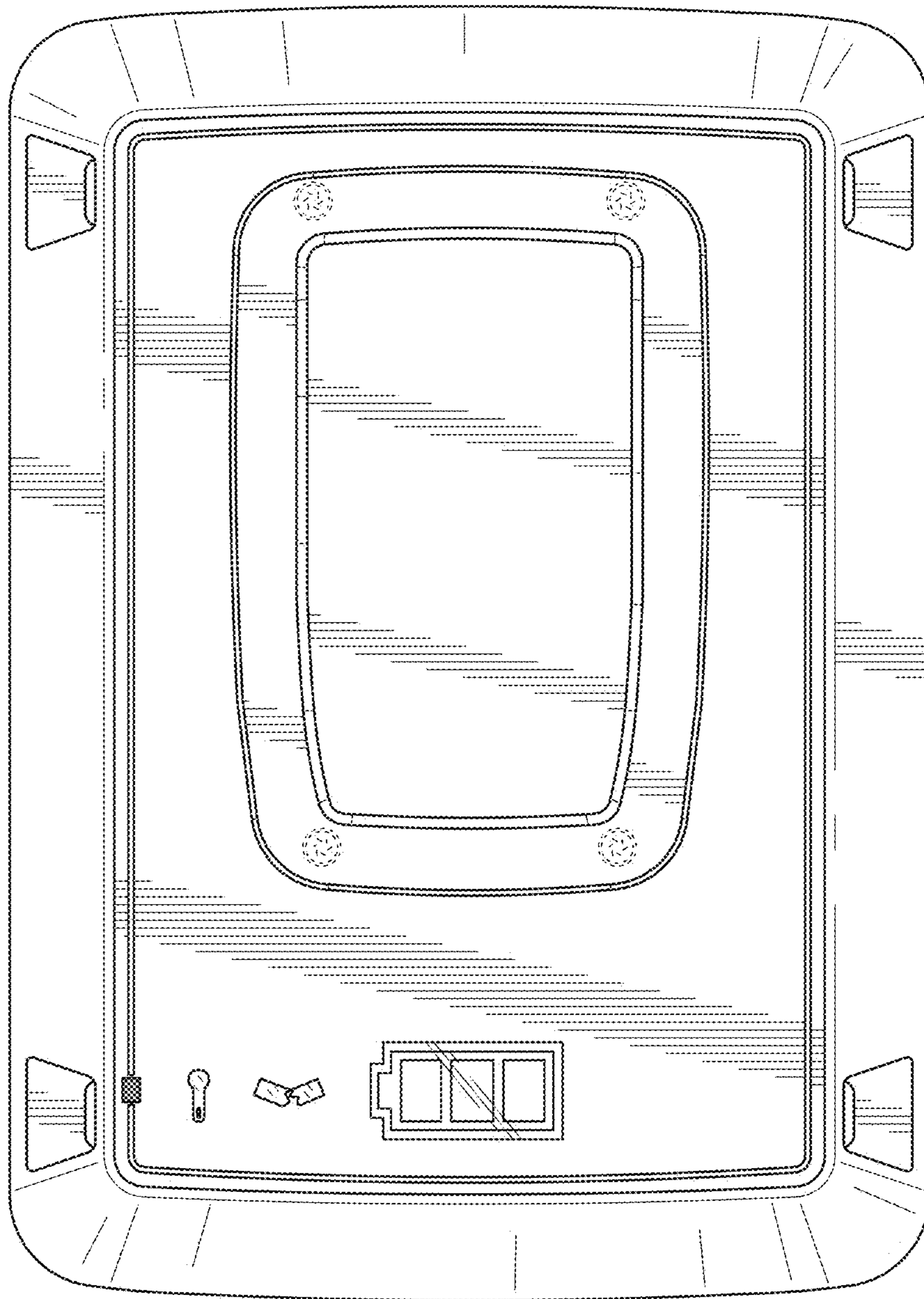


FIG. 8

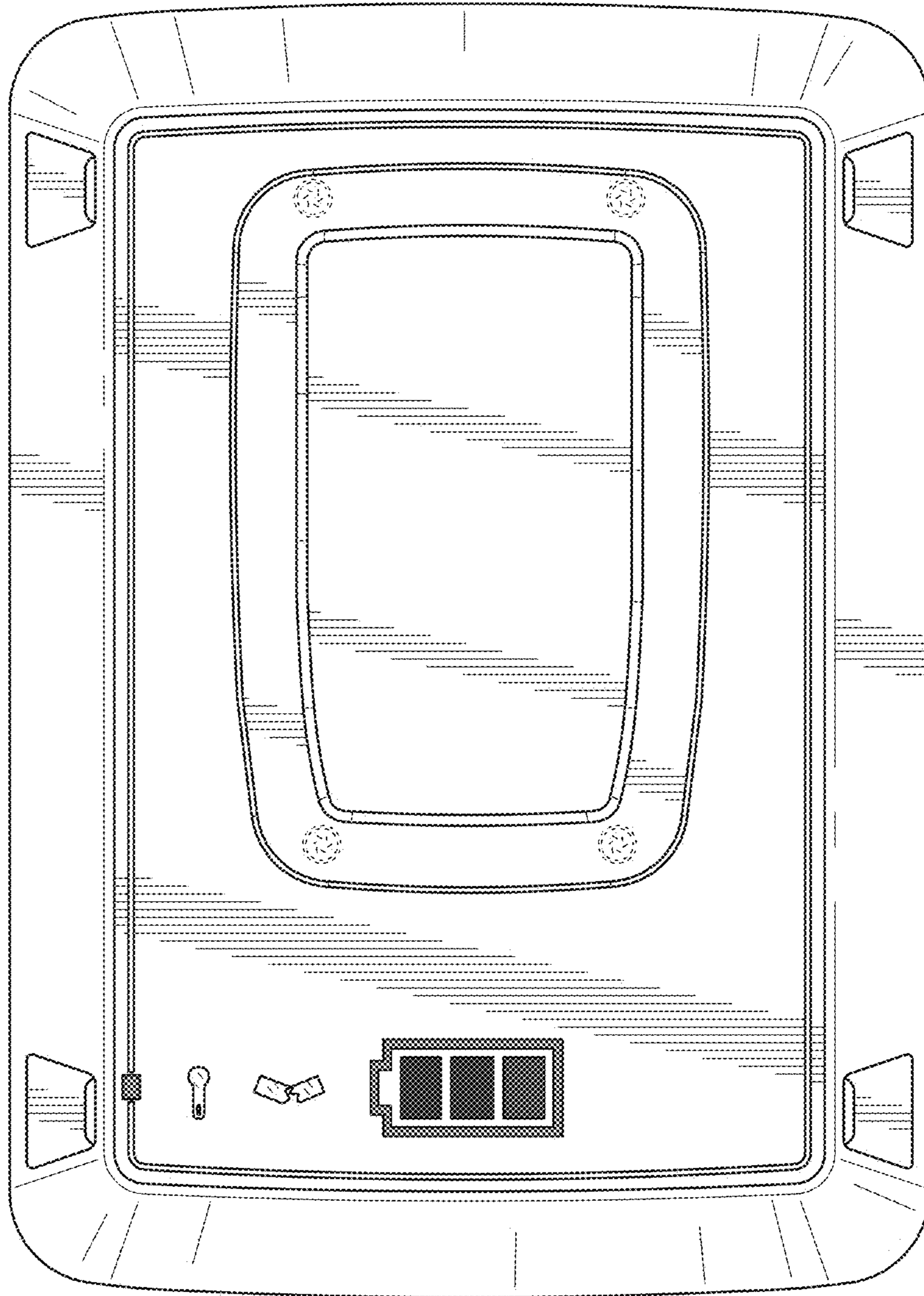


FIG. 9

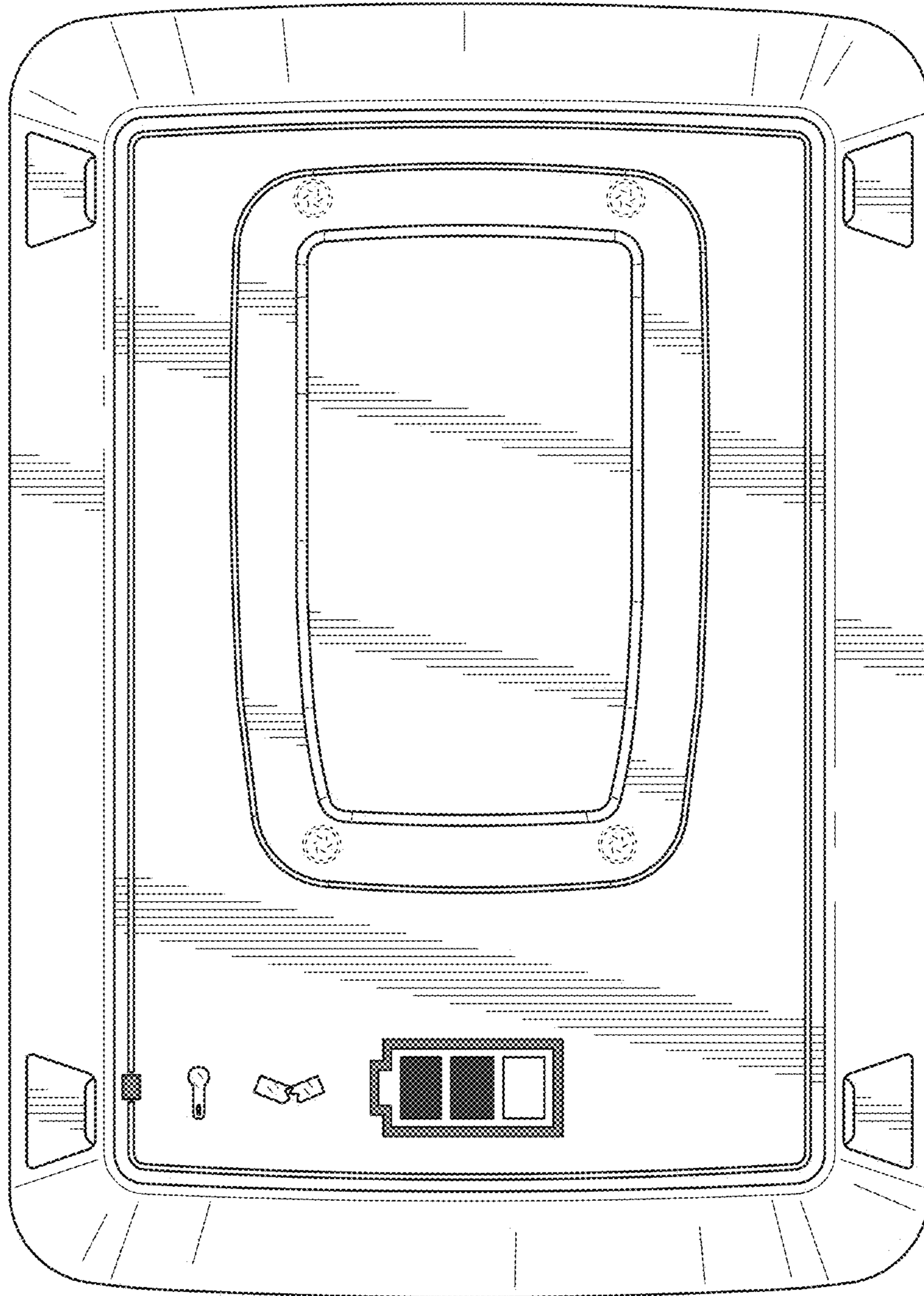


FIG. 10

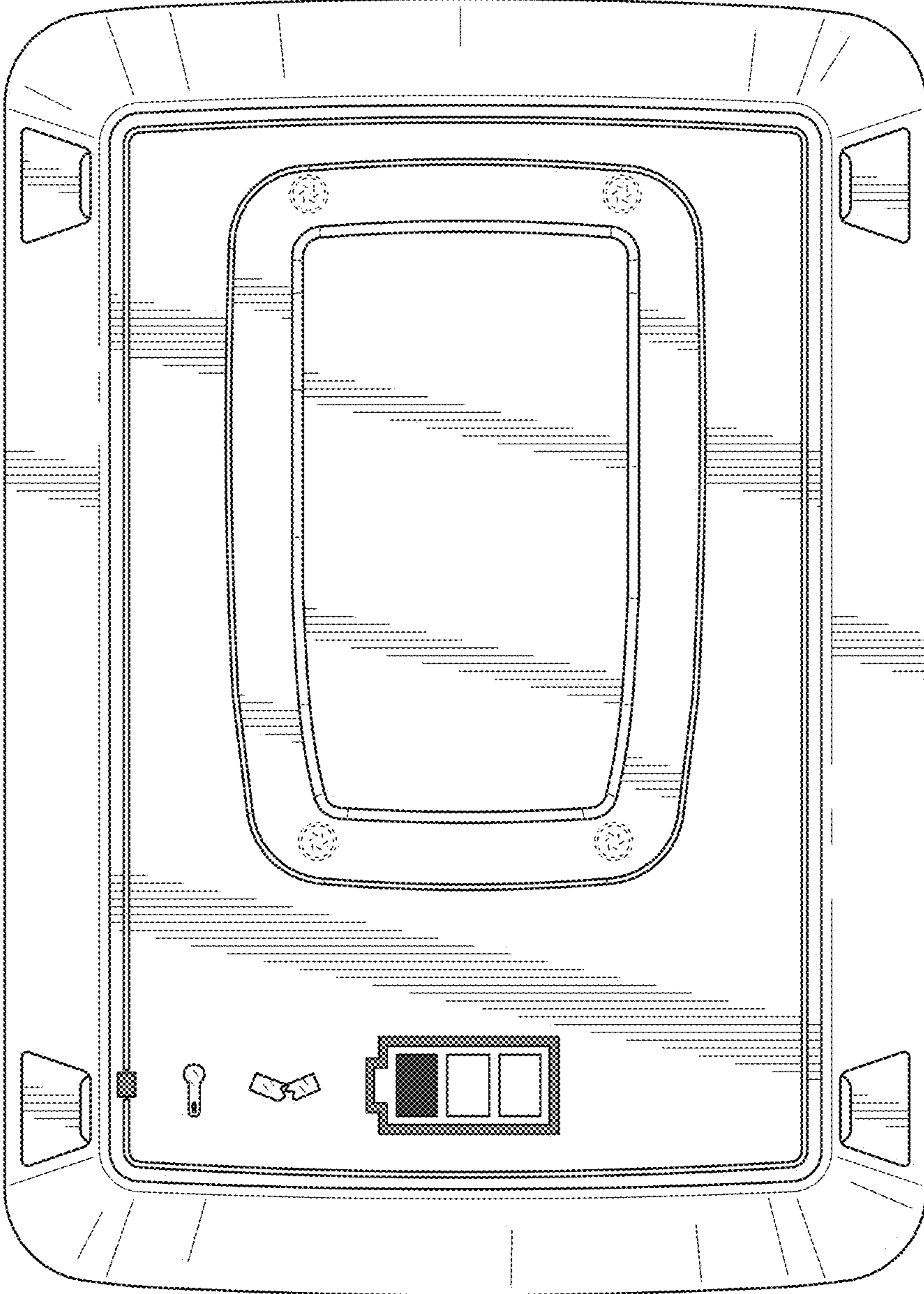


FIG. 11

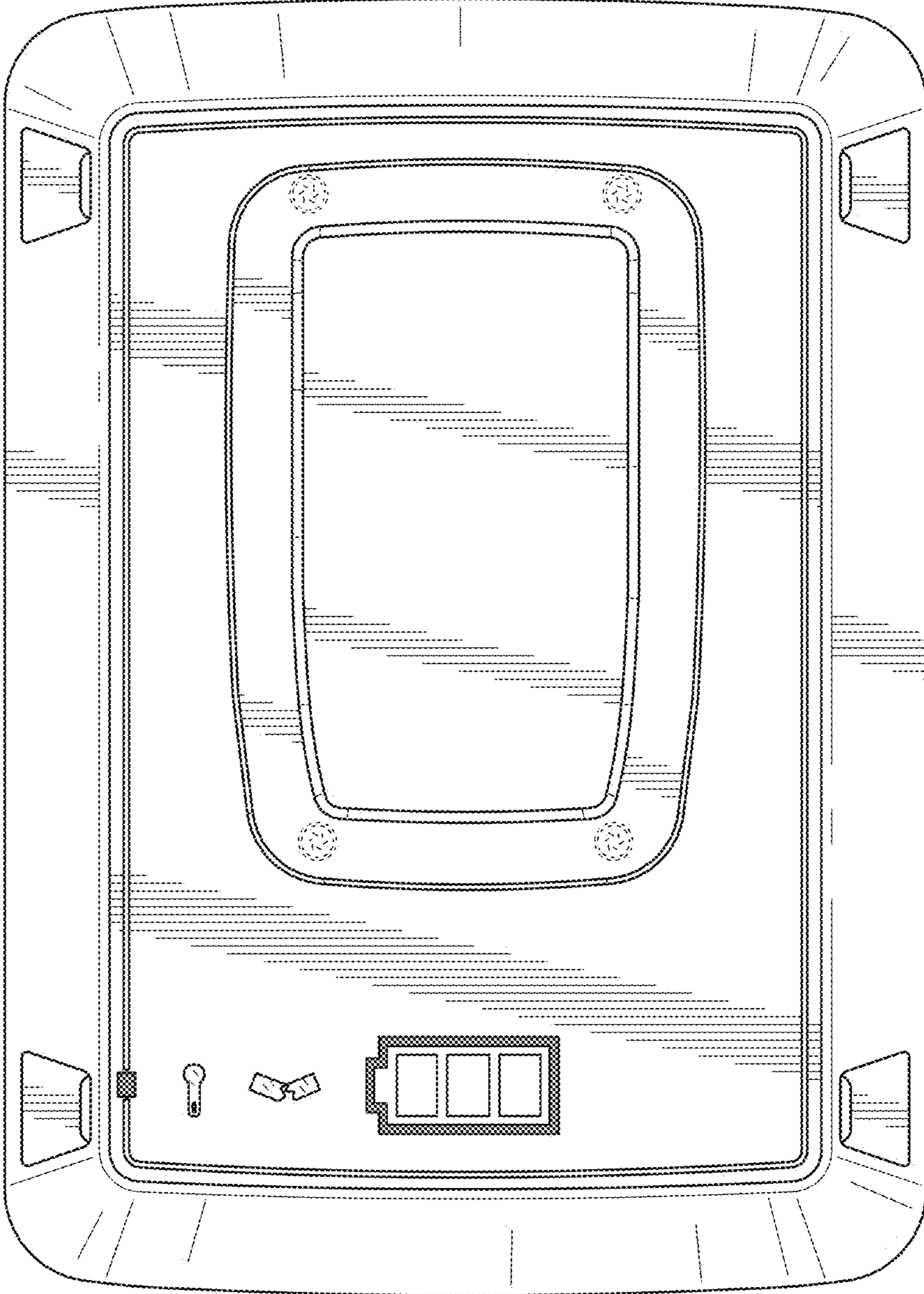


FIG. 12

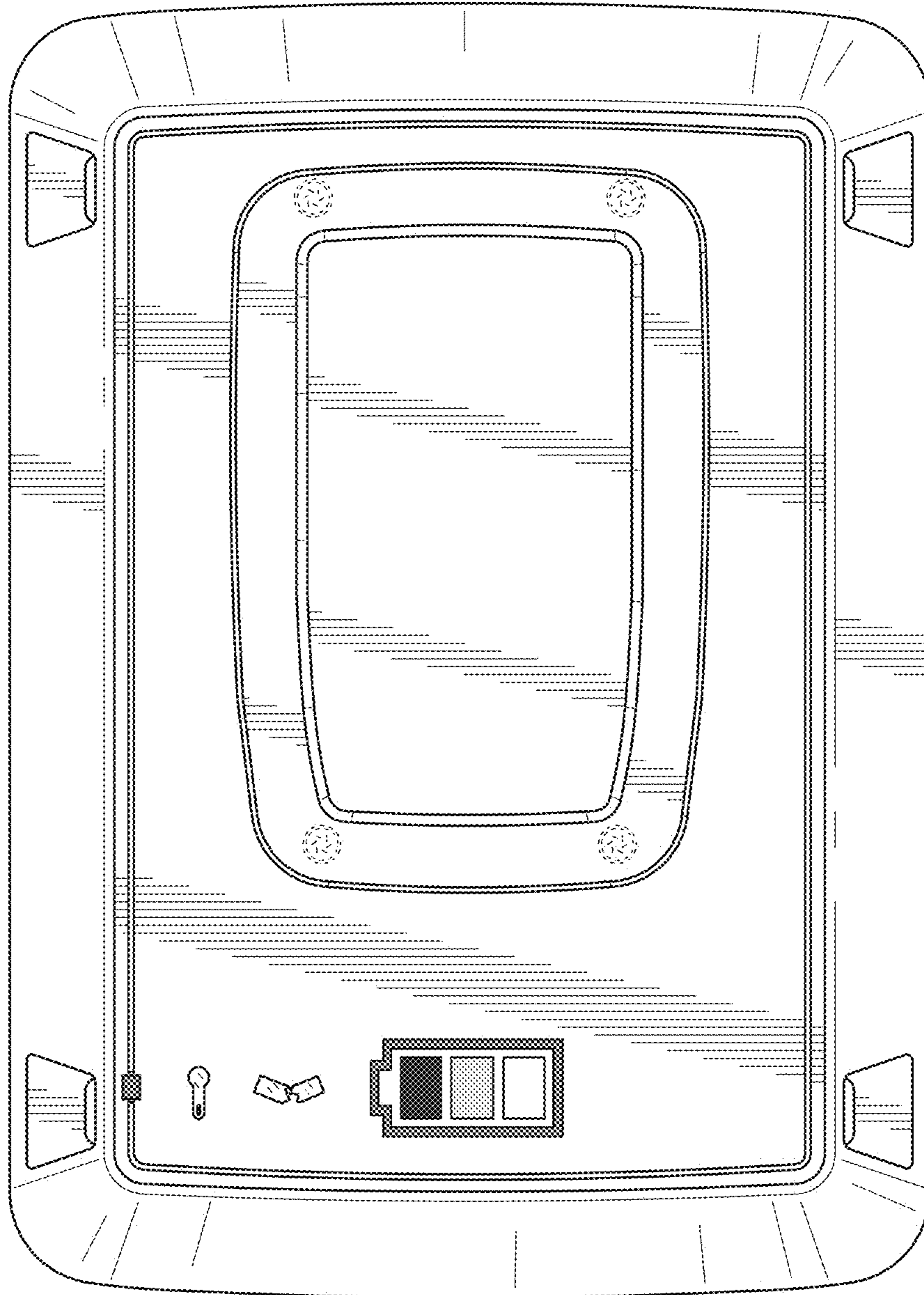


FIG. 13

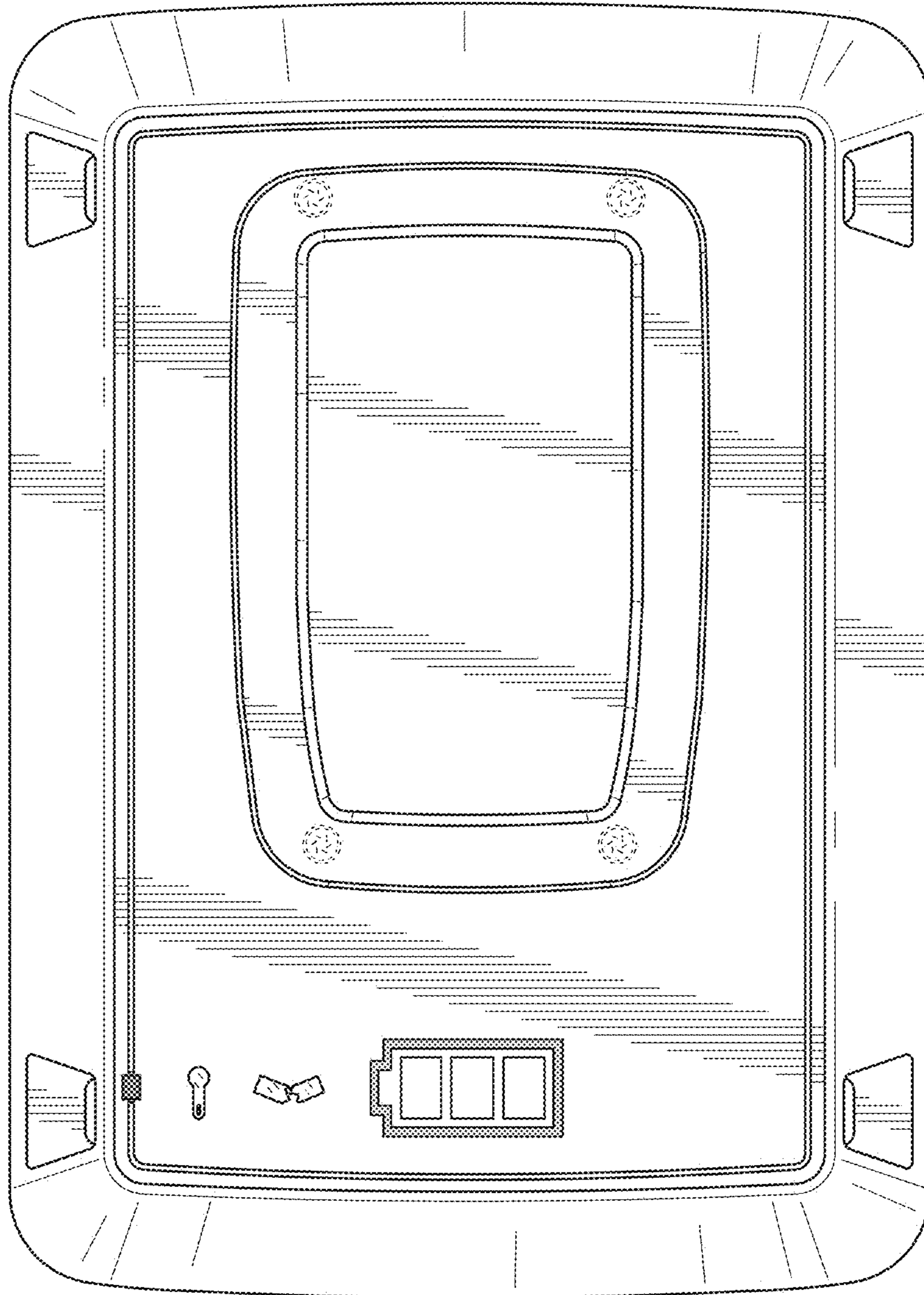


FIG. 14

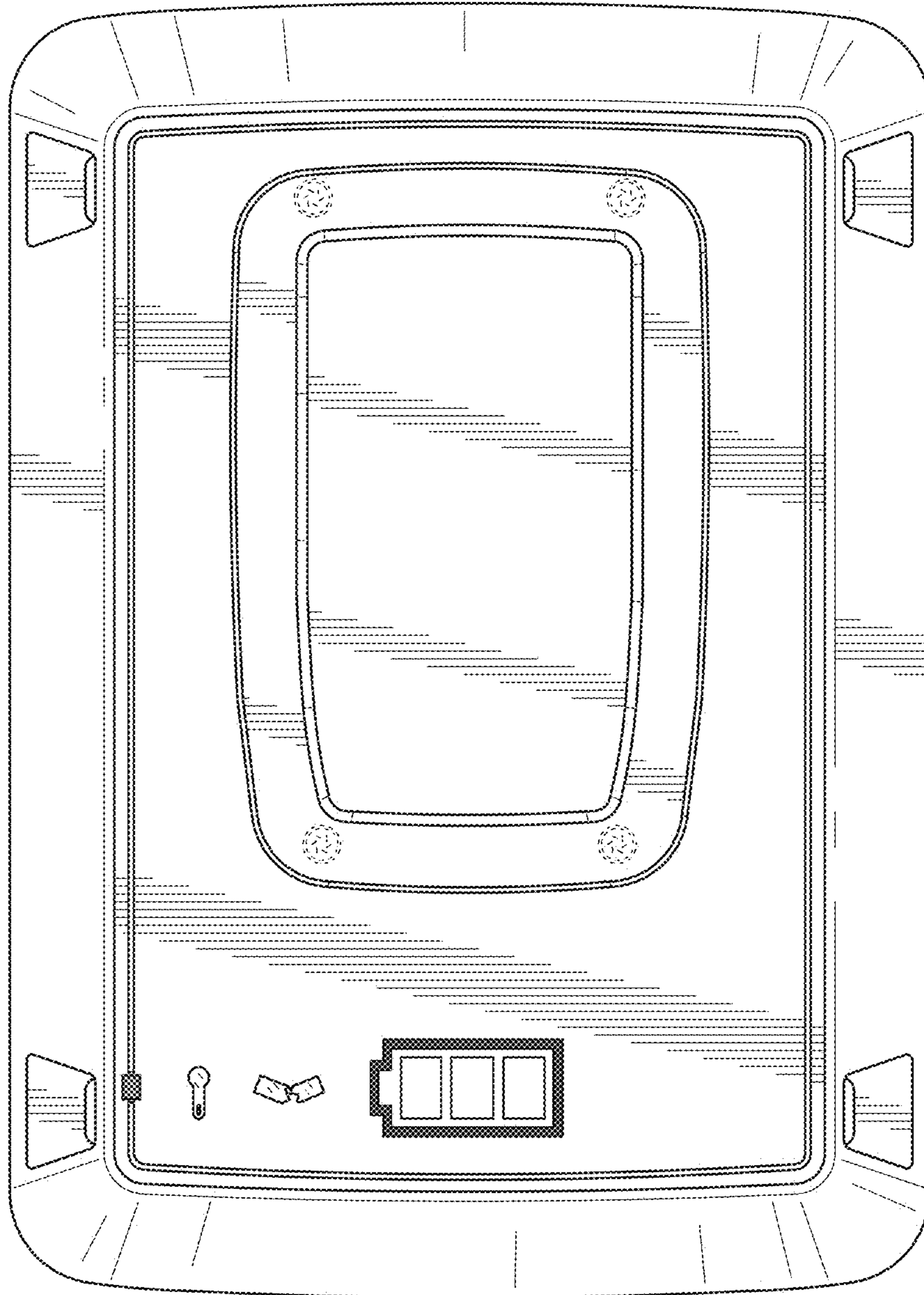


FIG. 15

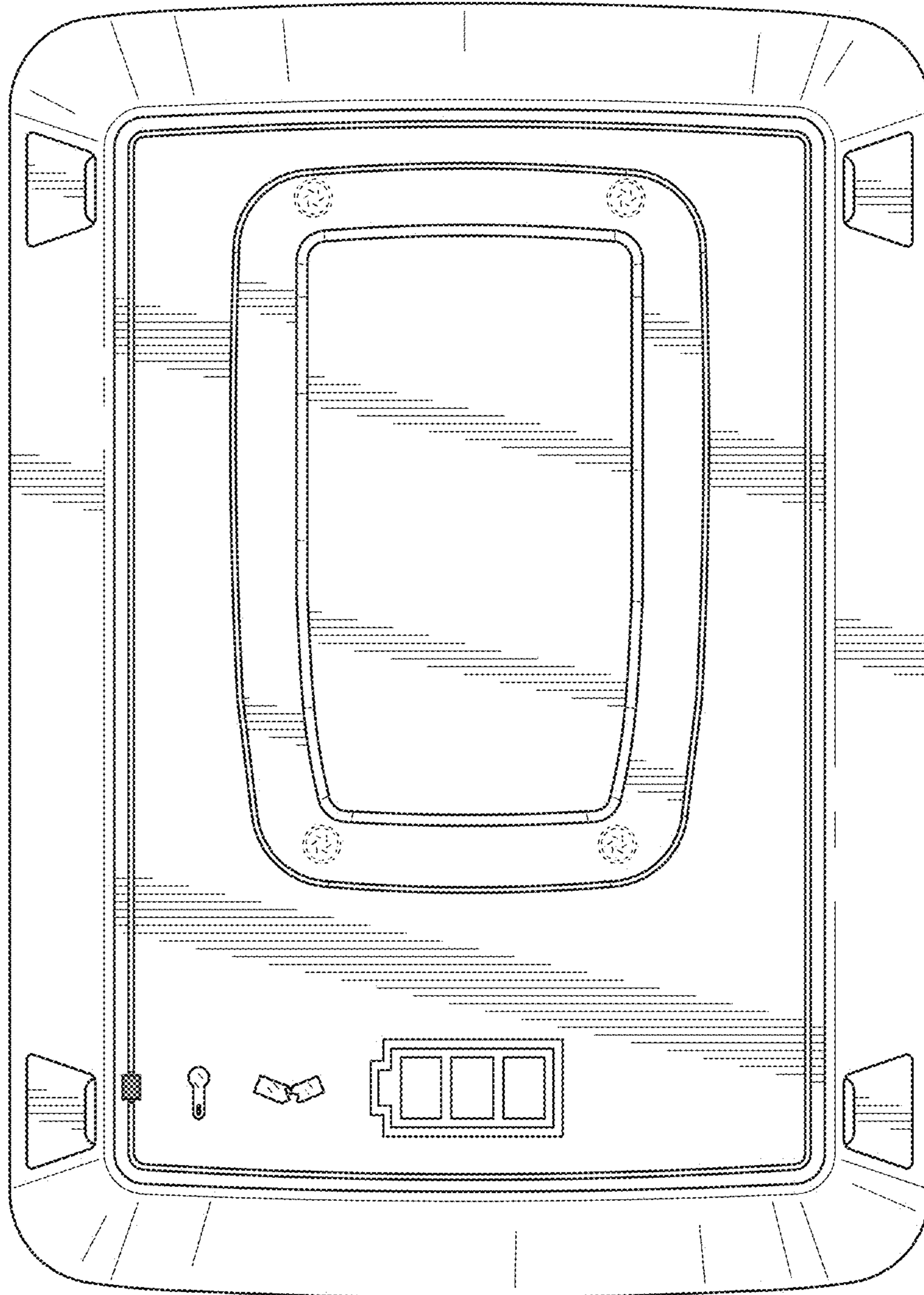


FIG. 16

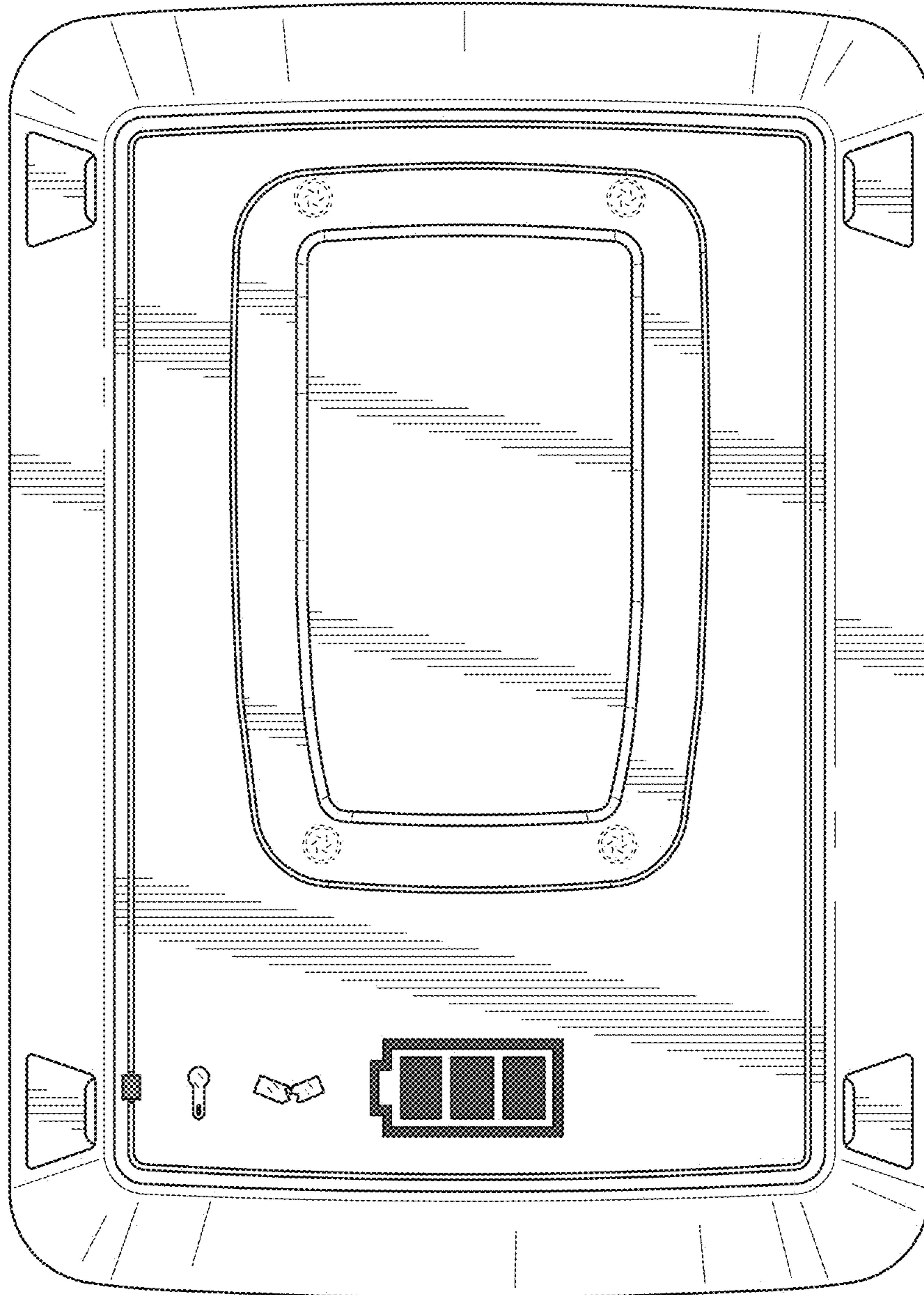


FIG. 17

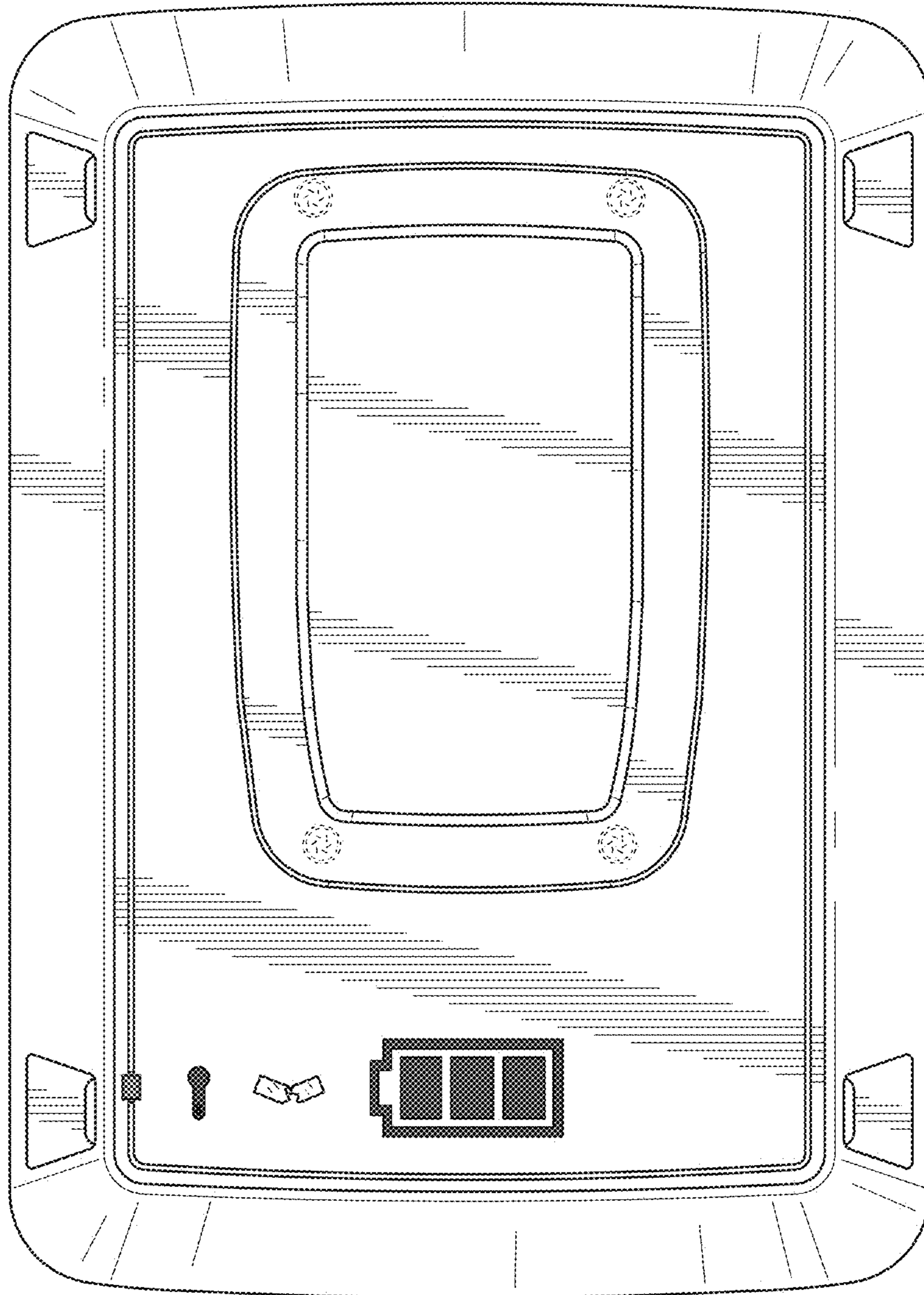


FIG. 18

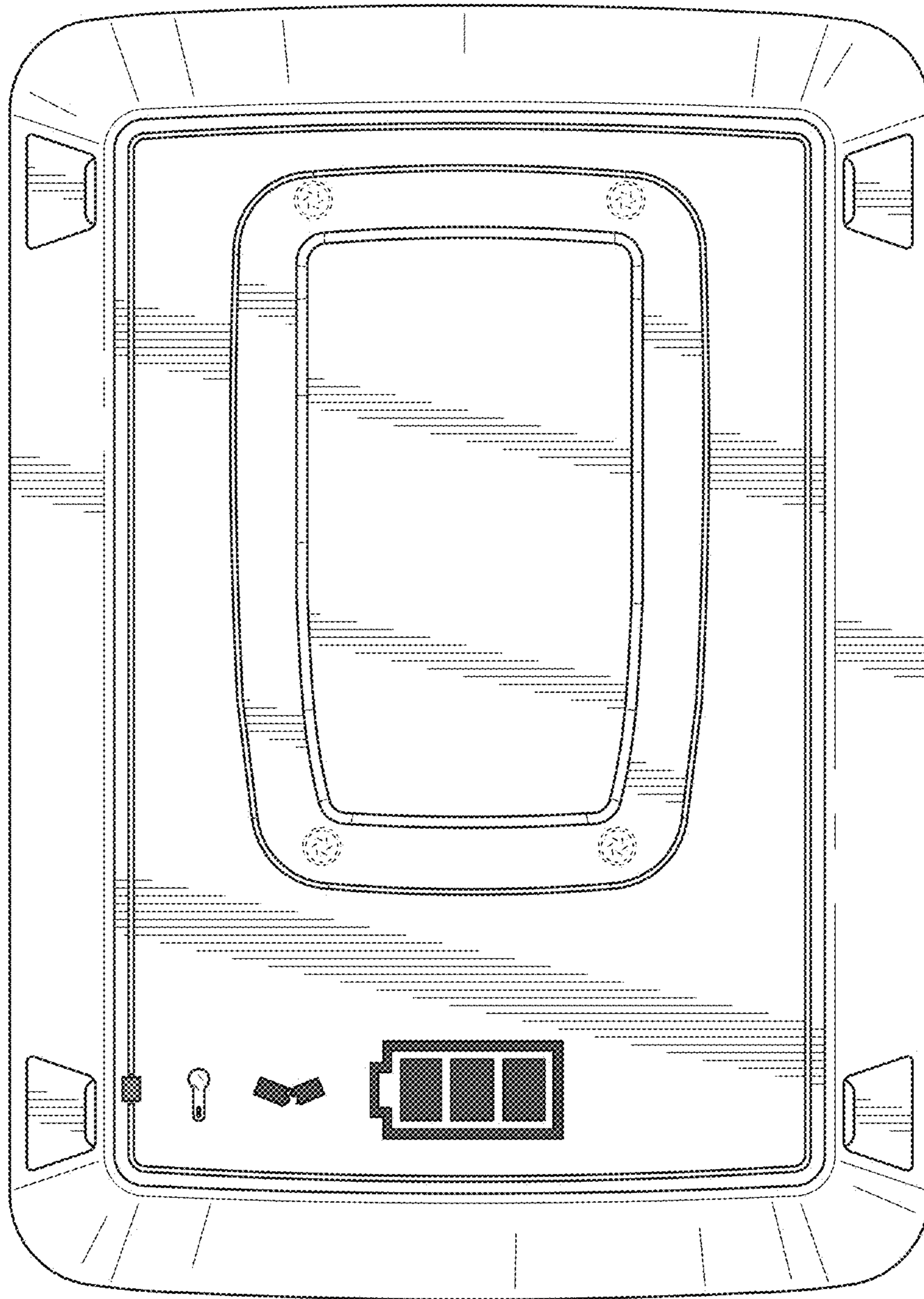


FIG. 19

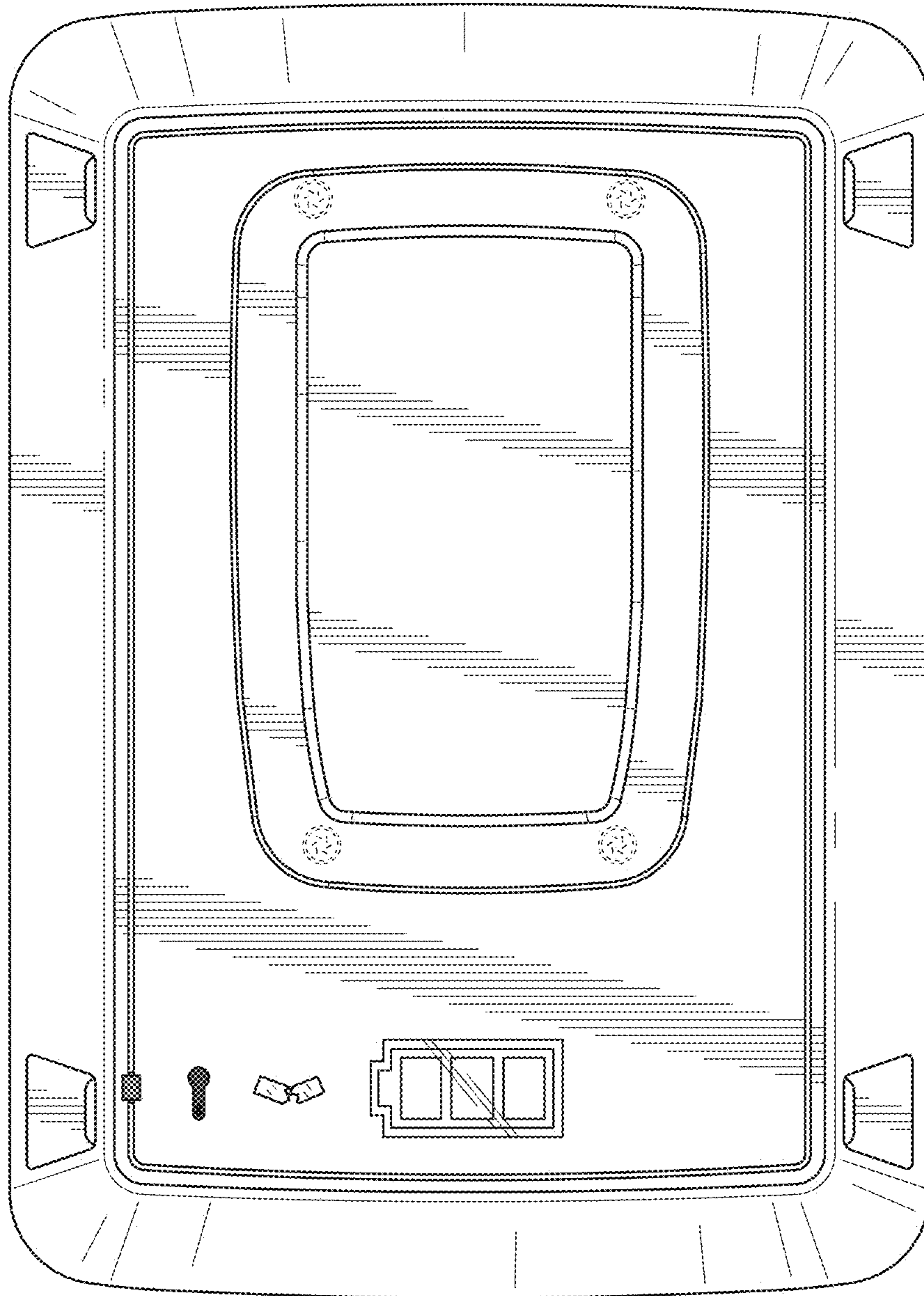


FIG. 20

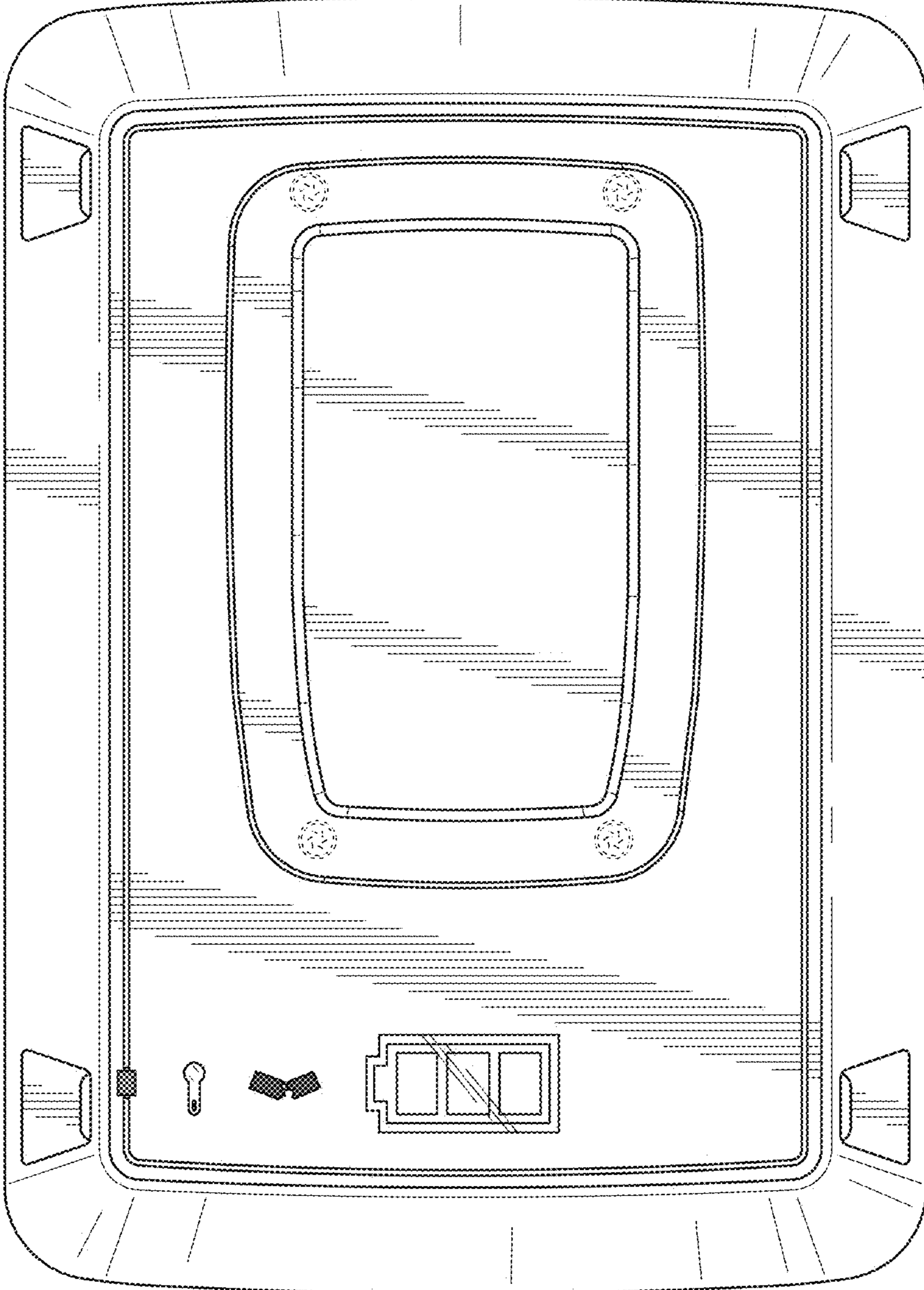


FIG. 21