



US00D902146S

(12) **United States Design Patent** (10) **Patent No.:** **US D902,146 S**
Murmanski et al. (45) **Date of Patent:** **** Nov. 17, 2020**

(54) **PHOTOVOLTAIC CHARGER** 7,850,513 B1 * 12/2010 Parker F04D 25/0606
454/228
(71) Applicant: **ARMOR Solar Power Films**, Nantes (FR) D630,010 S * 1/2011 Brown D3/208
D634,043 S * 3/2011 Oppizzi D13/102
D685,735 S * 7/2013 Wang D13/110
(72) Inventors: **Marek Murmanski**, Rennes (FR); D686,155 S * 7/2013 Nguyen D13/103
Nicolas Vannieuwenhuysse, La Haye
Fouassière (FR) D691,560 S * 10/2013 Wang D13/133
D733,050 S * 6/2015 Chiang D13/103
D735,663 S * 8/2015 Miller D13/103
D757,646 S * 5/2016 Pearson D13/103
D762,564 S * 8/2016 Patton D13/103
(**) Term: **15 Years** D780,115 S * 2/2017 Huang D13/107
D861,610 S * 10/2019 Shepard D13/133
(21) Appl. No.: **35/506,365** D862,643 S * 10/2019 Mahalingam D23/233
D867,999 S * 11/2019 Li D13/144
(22) Filed: **Dec. 10, 2018** D868,604 S * 12/2019 Sanroma D10/56

* cited by examiner

(80) **Hague Agreement Data**

Int. Filing Date: **Dec. 10, 2018**
Int. Reg. No.: **DM/200121**
Int. Reg. Date: **Dec. 10, 2018**
Int. Reg. Pub. Date: **Mar. 1, 2019**

Primary Examiner — Rhea Shields

(57) **CLAIM**

The ornamental design for a photovoltaic charger, as shown and described.

(51) **LOC (12) Cl.** **13-03**

(52) **U.S. Cl.**
USPC **D13/102**

DESCRIPTION

(58) **Field of Classification Search**
USPC D13/102, 144, 133, 107, 108, 110;
D23/318, 233; D3/208, 209; D10/56
CPC F04D 25/0606
See application file for complete search history.

1. Photovoltaic charger
Figure 1.1. is a front perspective view;
Figure 1.2 is a bottom view, in an open position;
Figure 1.3 is a top view;
Figure 1.4 is a rear view;
Figure 1.5 is a bottom view;
Figure 1.6 is a side view;
Figure 1.7 is a top view, in an open position;
Figure 1.8 is a perspective view, in an open position; and
Figure 1.9 is a front view.

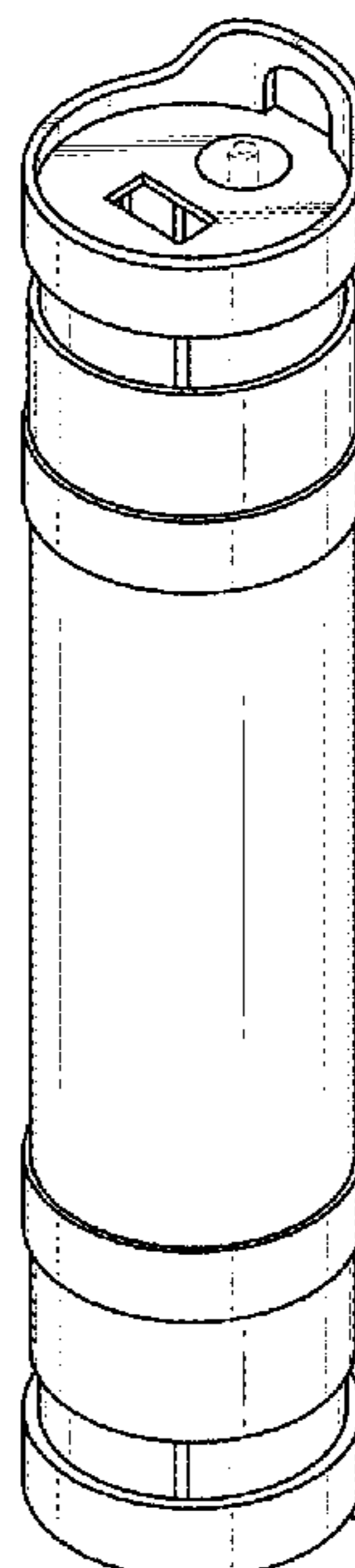
(56) **References Cited**

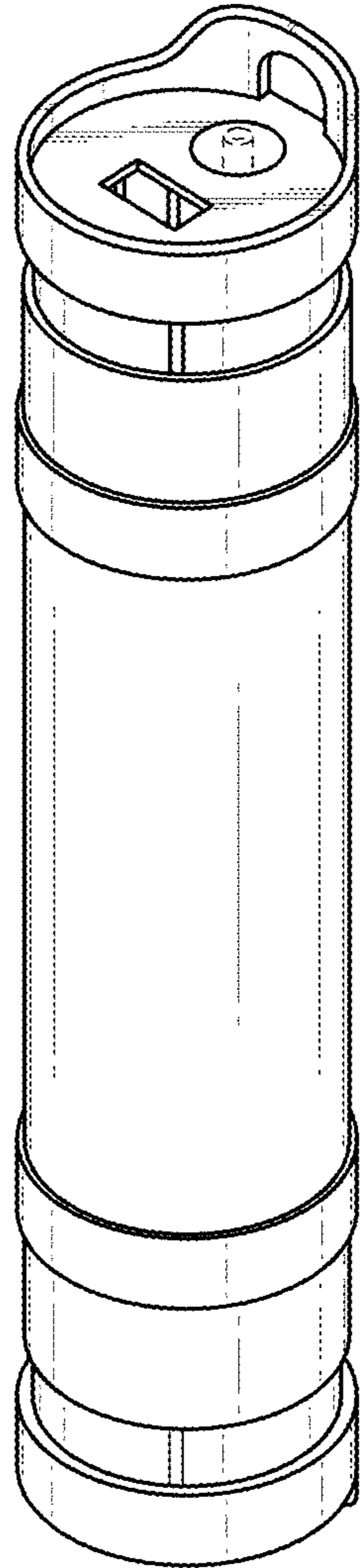
U.S. PATENT DOCUMENTS

D324,265 S * 2/1992 Fleming D23/318
D422,135 S * 4/2000 Man D3/209
D598,374 S * 8/2009 Sasada D13/108
D600,000 S * 9/2009 Horito D13/102
D603,331 S * 11/2009 Schupp D13/103
D618,618 S * 6/2010 Lee D13/108

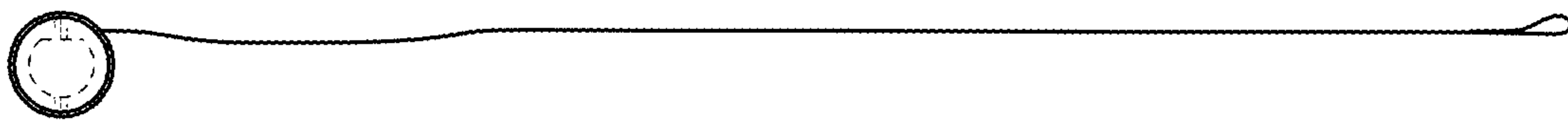
In the reproductions, the broken lines are for the purpose of illustrating portions of the photovoltaic charger that form no part of the claimed design.

1 Claim, 9 Drawing Sheets

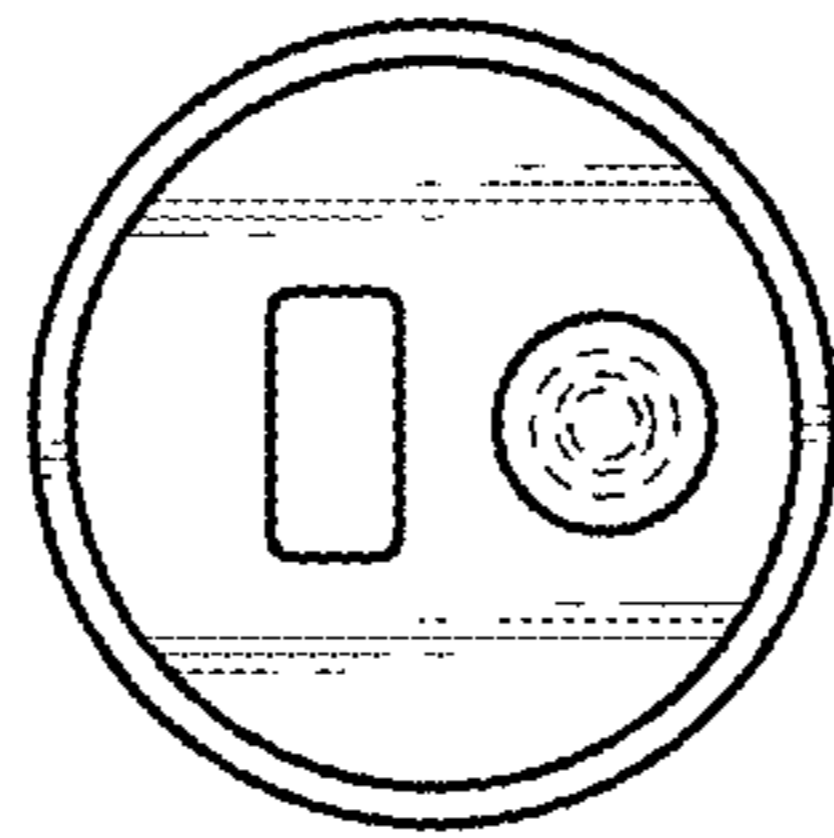




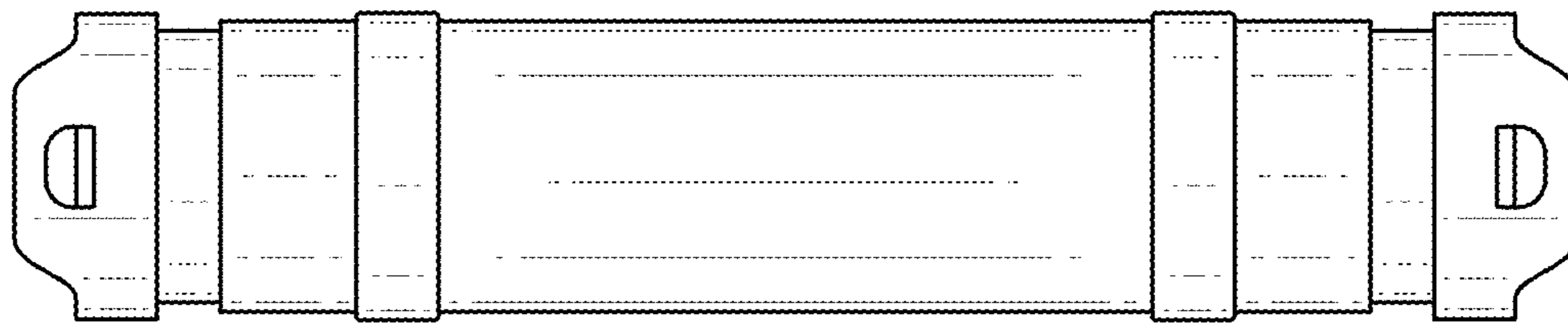
1.1



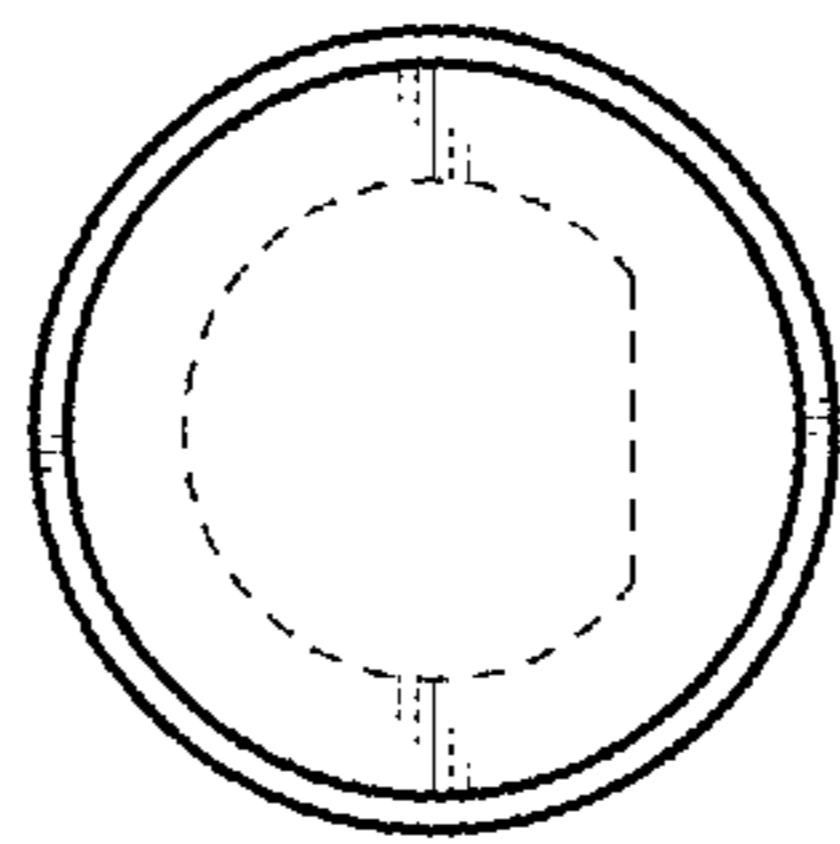
1.2



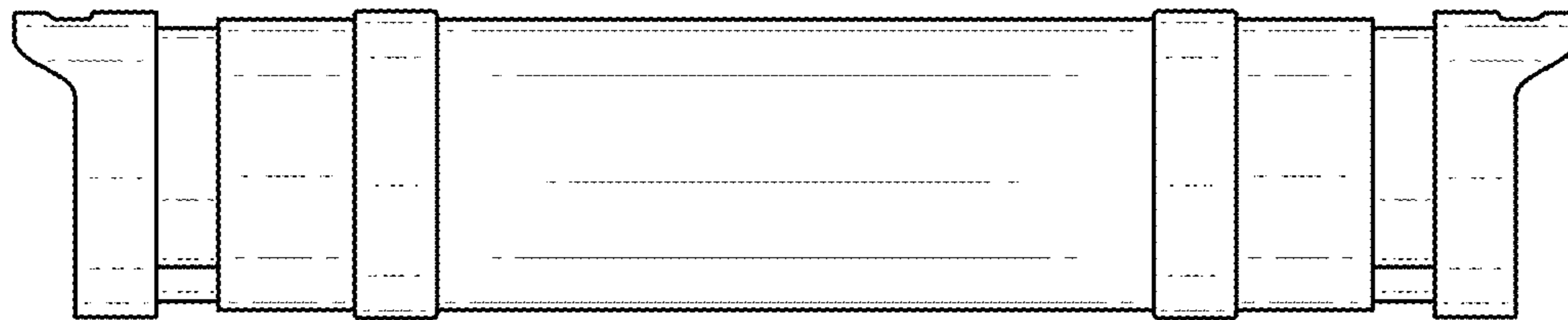
1.3



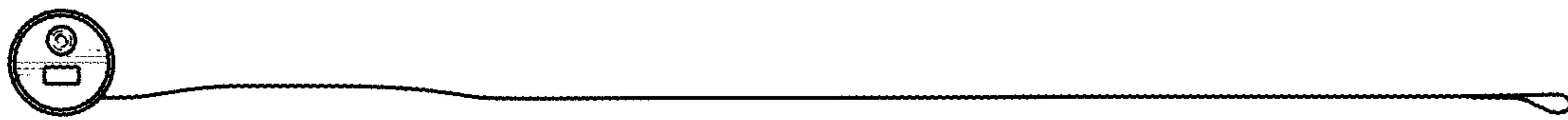
1.4



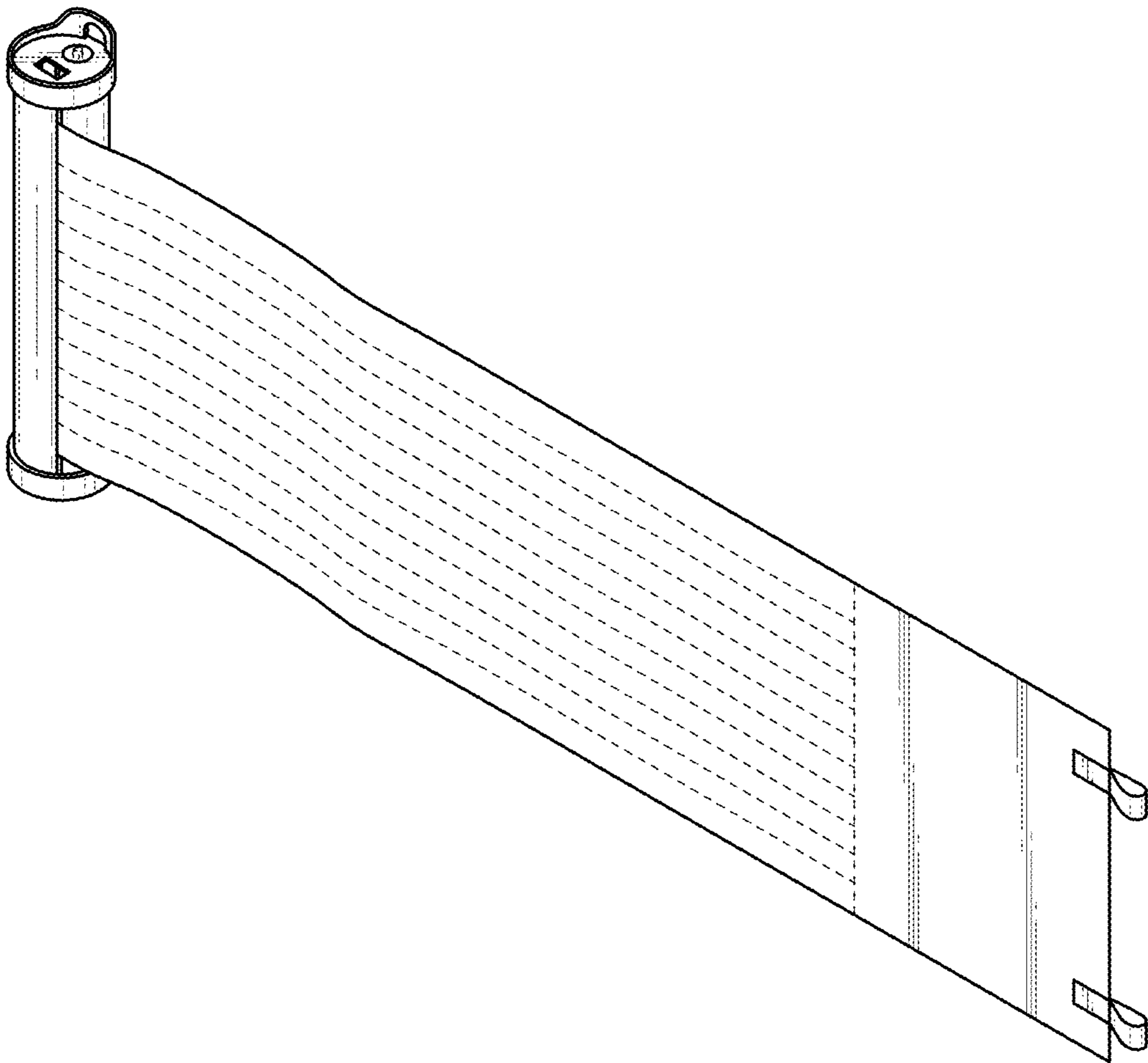
1.5



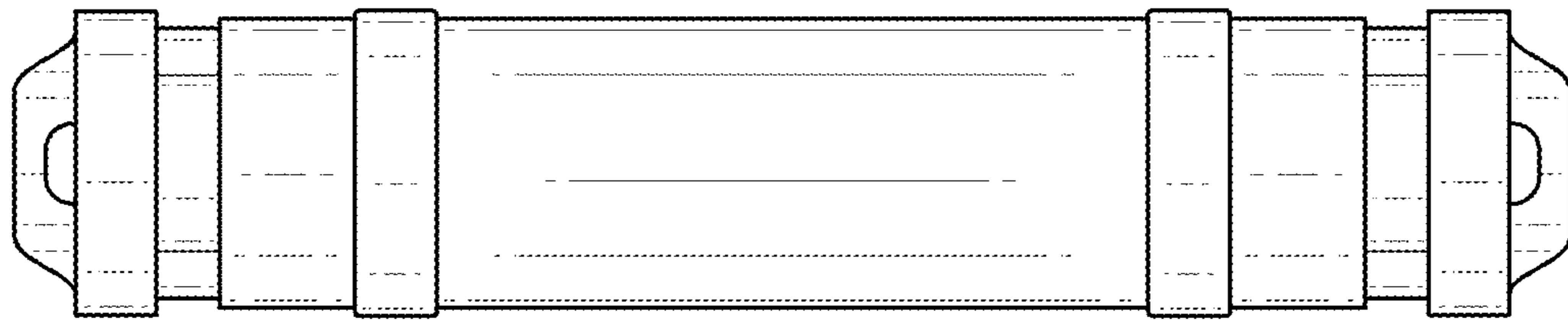
1.6



1.7



1.8



1.9