



US00D902145S

(12) **United States Design Patent** (10) **Patent No.:** **US D902,145 S**
Yang (45) **Date of Patent:** **** Nov. 17, 2020**

(54) **SOLAR PANEL**

(71) Applicant: **SHENZHEN QIAOHUA INDUSTRIES LIMITED**, Shenzhen (CN)

(72) Inventor: **Ruishi Yang**, Shenzhen (CN)

(**) Term: **15 Years**

(21) Appl. No.: **29/700,783**

(22) Filed: **Aug. 6, 2019**

(51) **LOC (12) Cl.** **13-02**

(52) **U.S. Cl.**
USPC **D13/102**

(58) **Field of Classification Search**
USPC D13/102, 101, 103, 110, 107, 108, 199
CPC H01L 31/00; H01L 31/042; H01L 31/045;
H01L 31/048; H01L 31/052; H01L 31/0475; H01L 31/0485; H01M 10/052;
H01M 10/465; H02S 30/10; H02S 30/20;
Y02E 10/50; Y02E 10/52; Y10S 136/291;
Y10S 136/293; H02J 7/35
See application file for complete search history.

(56) **References Cited**

U.S. PATENT DOCUMENTS

D391,921 S * 3/1998 Zimmer D13/102
D535,613 S * 1/2007 Varalo D13/108

D686,979 S * 7/2013 Chilton D13/102
D700,134 S * 2/2014 Fallon D13/102
D715,731 S * 10/2014 Nook D13/102
D729,156 S * 5/2015 Nook D13/102
D836,064 S * 12/2018 Liu D13/102
2010/0109599 A1* 5/2010 Lin H02J 7/35
320/101

* cited by examiner

Primary Examiner — Derrick E Holland

(74) *Attorney, Agent, or Firm* — HYIP

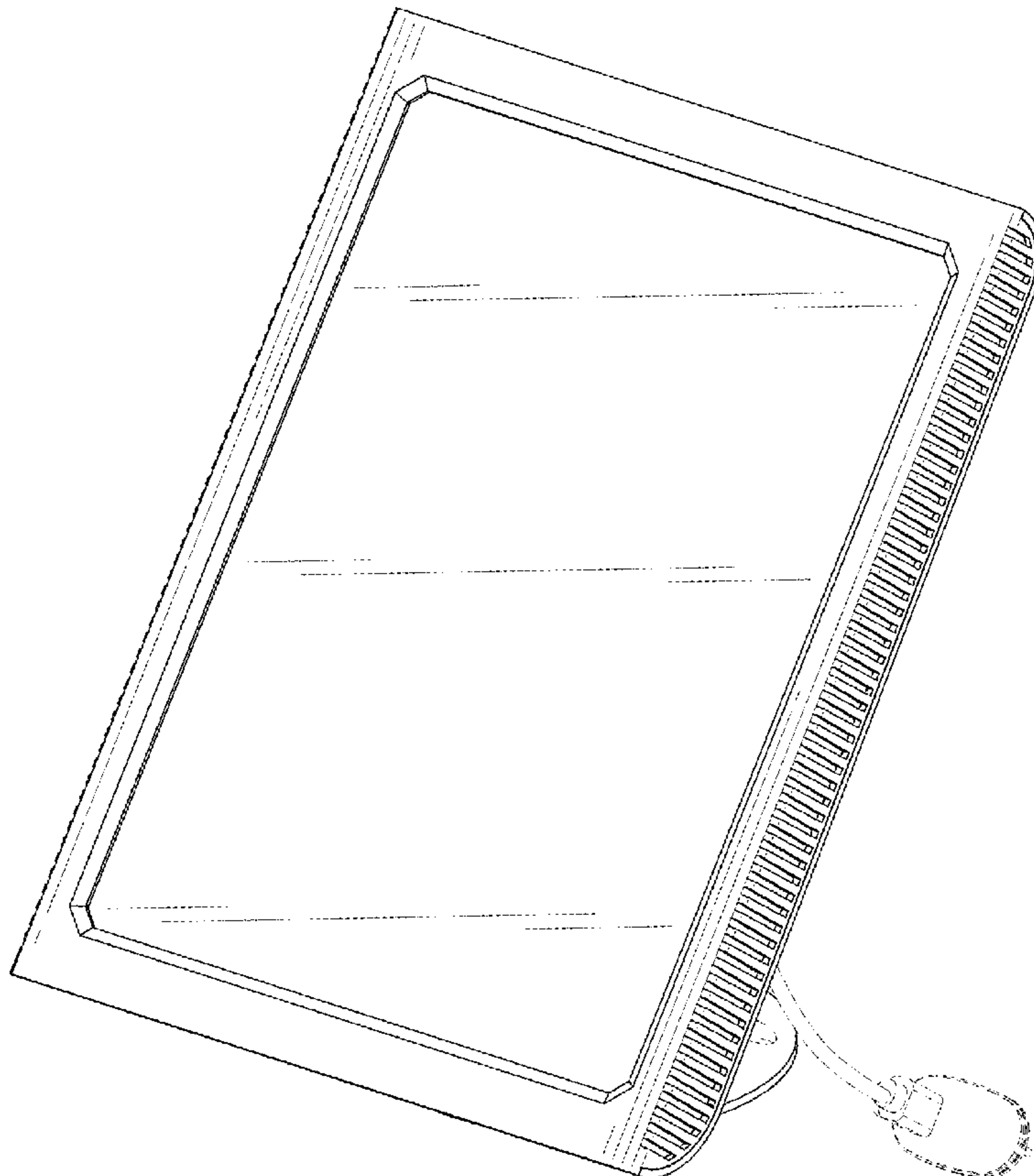
(57) **CLAIM**

The ornamental design for a solar panel, as shown and described.

DESCRIPTION

FIG. 1 is a first perspective view of a solar panel showing my design;
FIG. 2 is a second perspective view thereof;
FIG. 3 is a front view thereof;
FIG. 4 is a back view thereof;
FIG. 5 is a left side view thereof;
FIG. 6 is a right side view thereof;
FIG. 7 is a top view thereof; and,
FIG. 8 is a bottom view thereof.
The broken lines shown in the drawings depict portions of the solar panel in which the design is embodied that form no part of the claimed design.

1 Claim, 8 Drawing Sheets



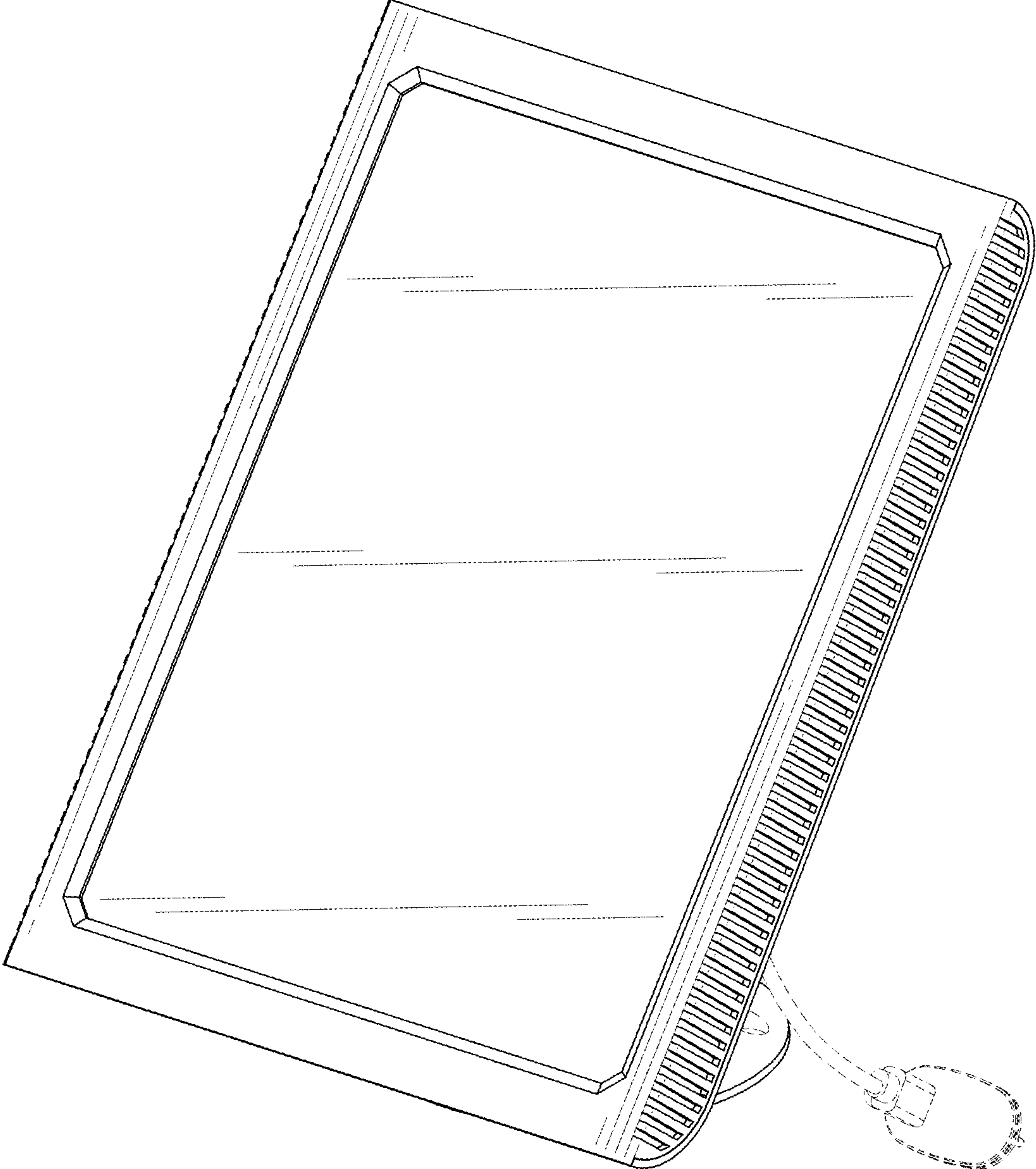


FIG. 1

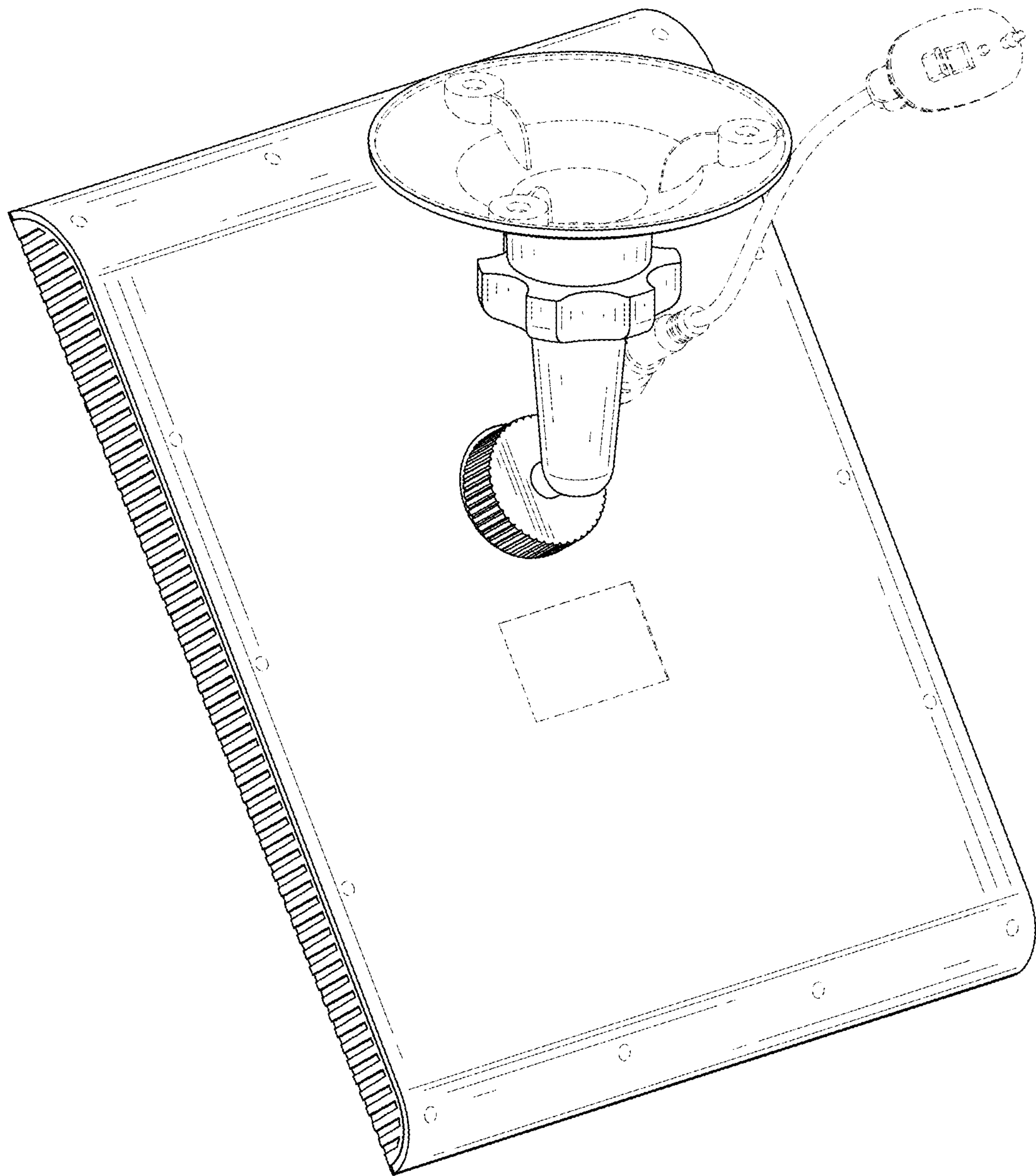


FIG. 2

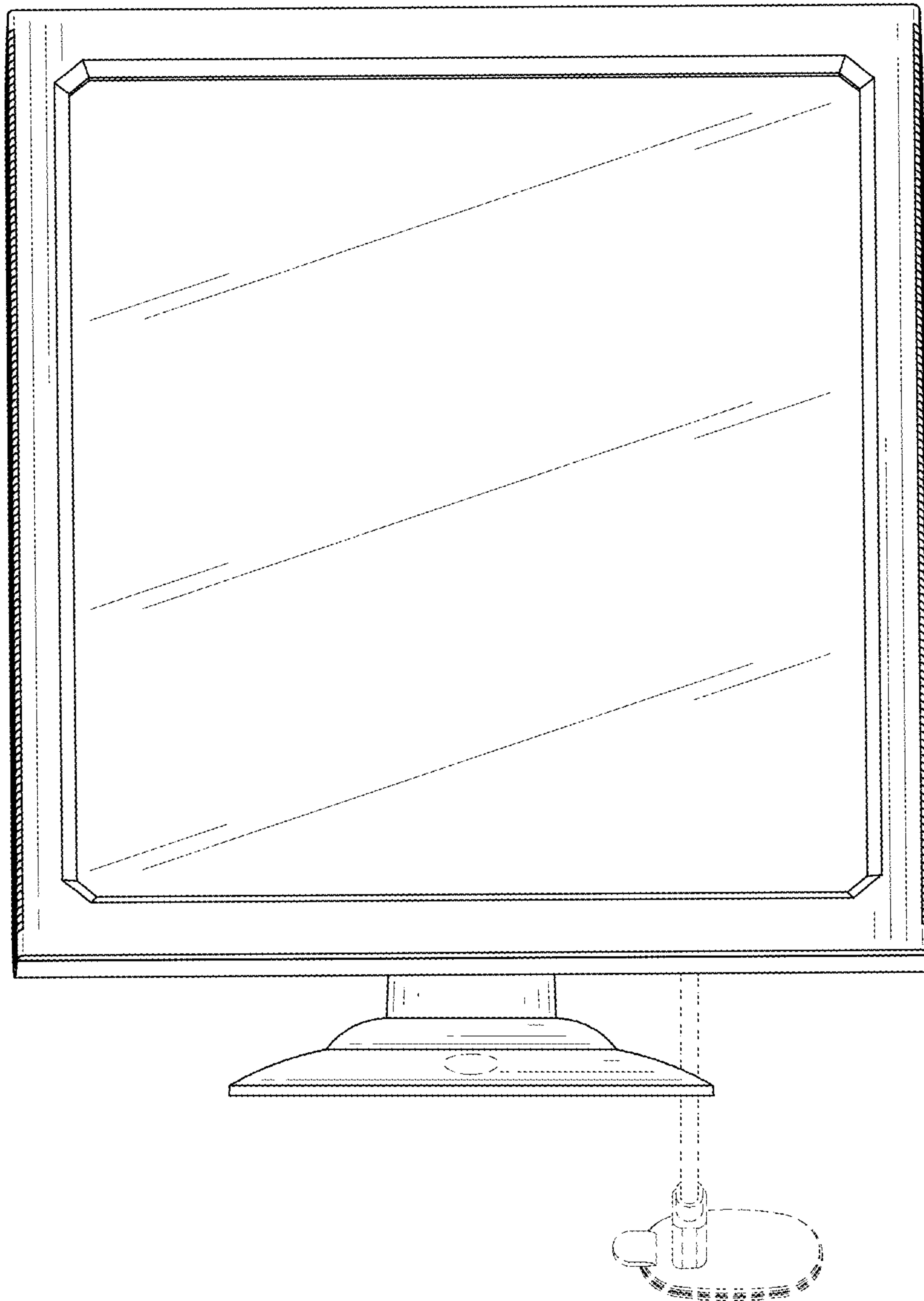


FIG. 3

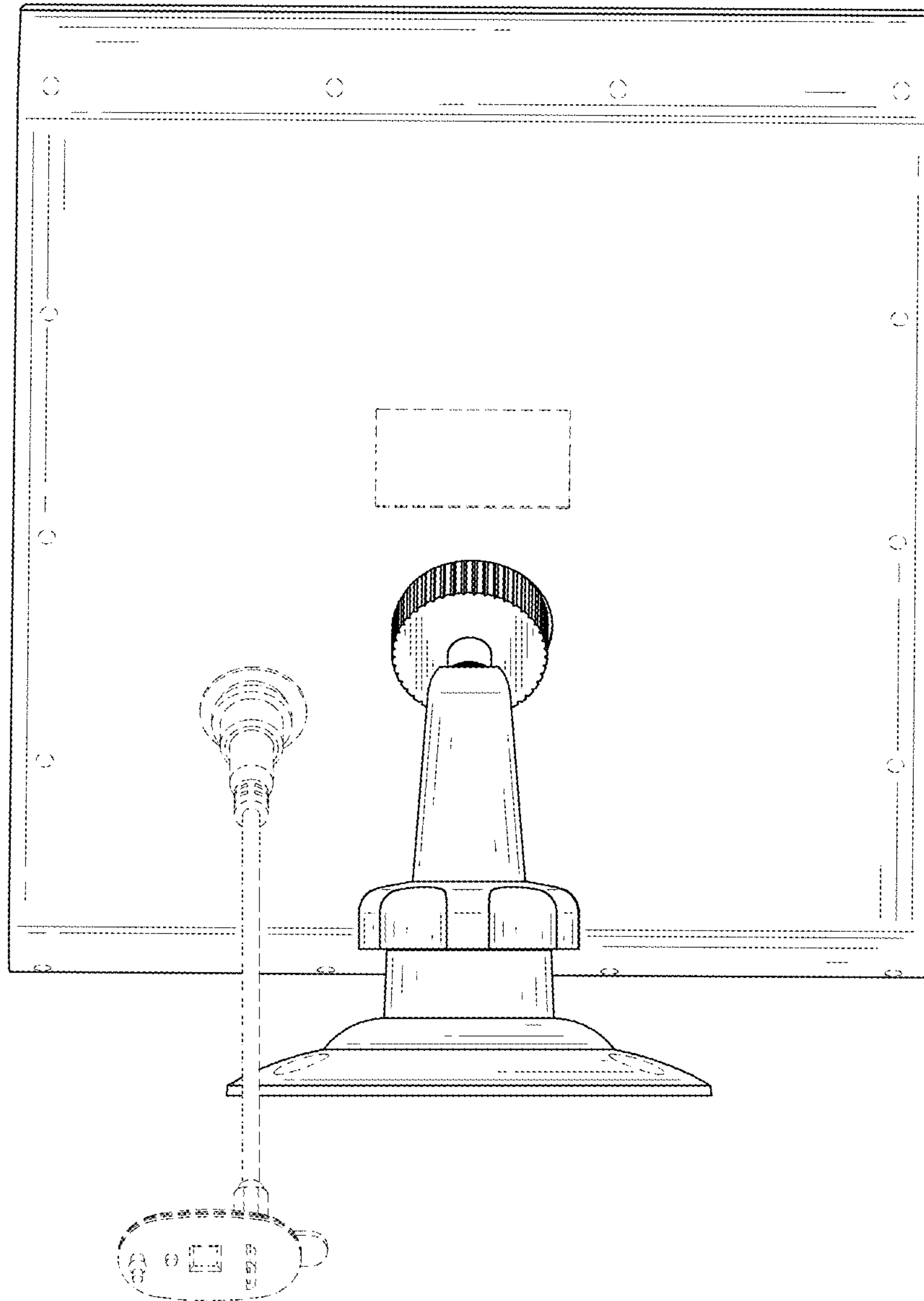


FIG. 4

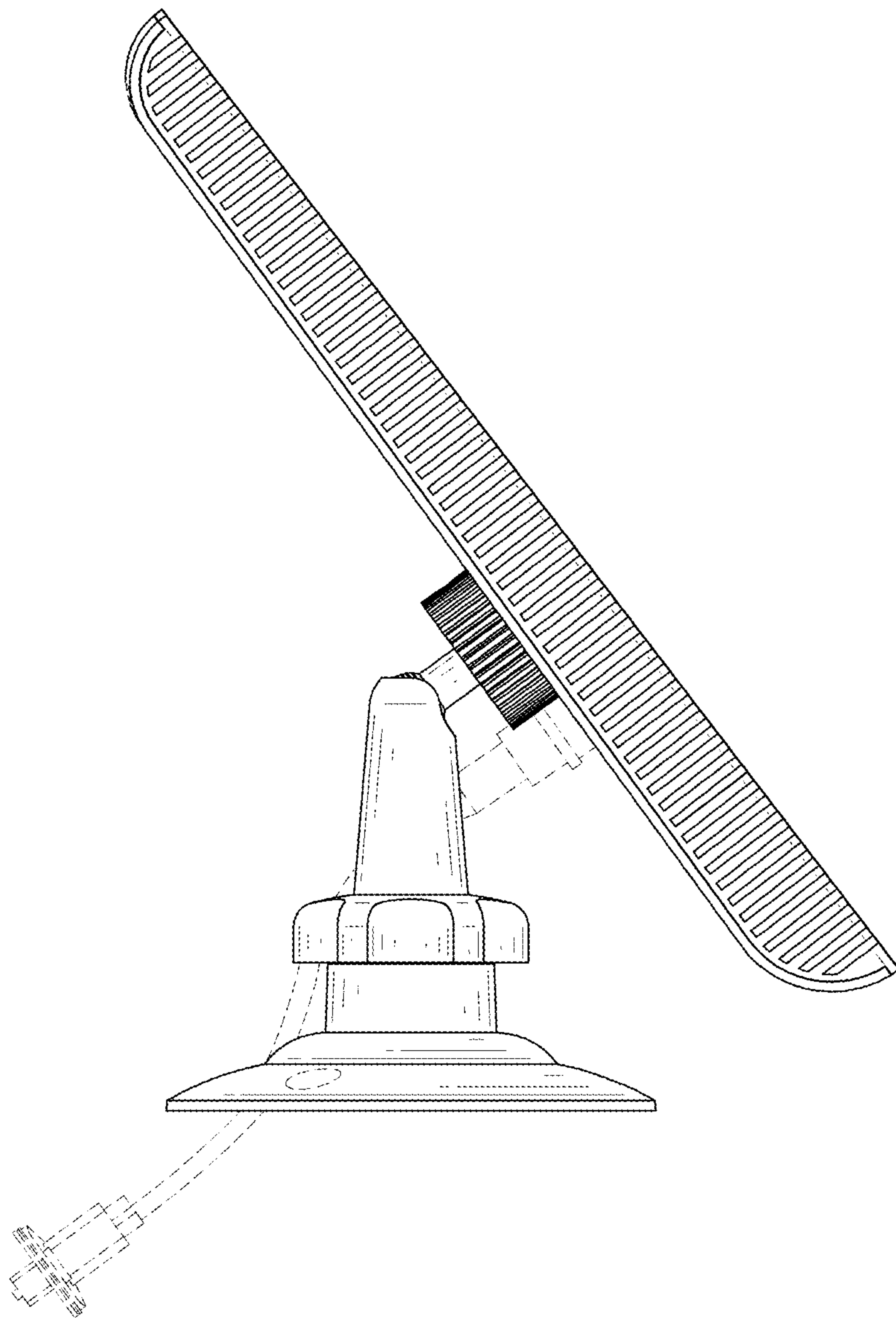


FIG. 5

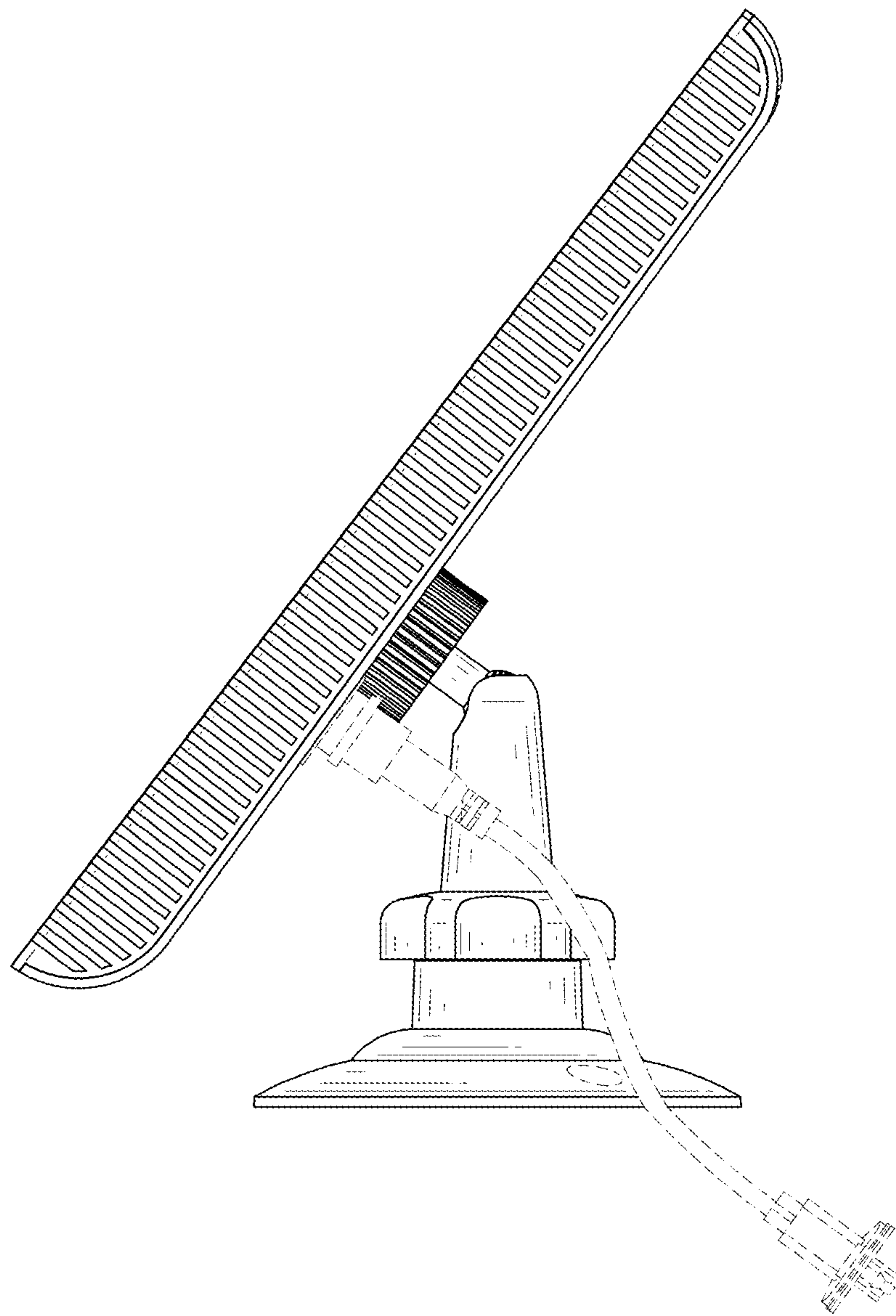


FIG. 6

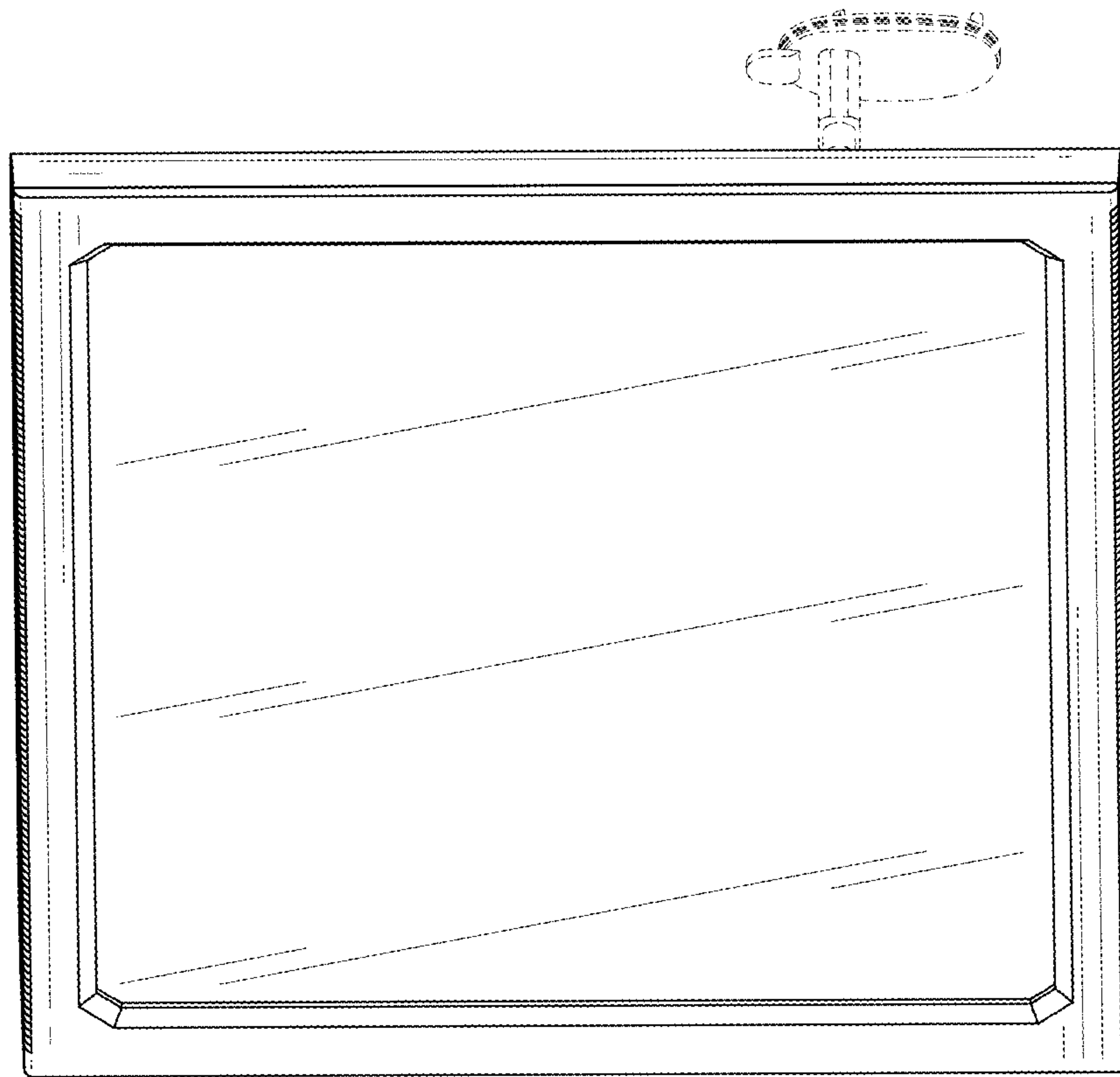


FIG. 7

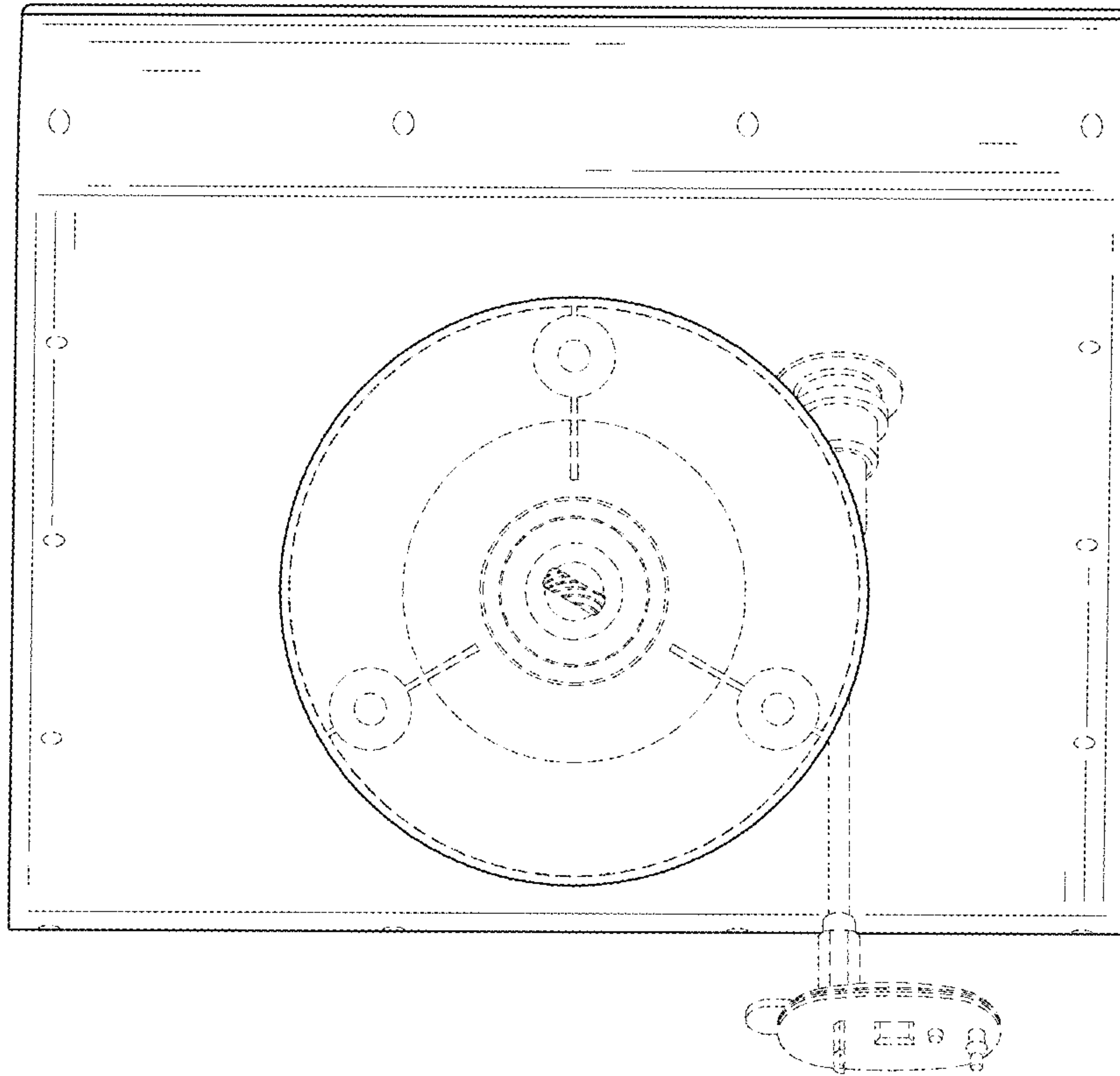


FIG. 8