



US00D902142S

(12) **United States Design Patent**
Zheng et al.

(10) **Patent No.:** **US D902,142 S**

(45) **Date of Patent:** **** Nov. 17, 2020**

(54) **ENERGY STORAGE SYSTEM FOR INTEGRATED POWER STATION**

(71) Applicant: **SUNGROW POWER SUPPLY CO., LTD.**, Anhui (CN)

(72) Inventors: **Sigen Zheng**, Anhui (CN); **Guohong Li**, Anhui (CN); **Hongsheng Dou**, Anhui (CN); **Zengfu Ding**, Anhui (CN); **Yuan Gao**, Anhui (CN); **Chenghua Zhou**, Anhui (CN)

(73) Assignee: **SUNGROW POWER SUPPLY CO., LTD.**, Anhui (CN)

(**) Term: **15 Years**

(21) Appl. No.: **29/675,219**

(22) Filed: **Dec. 28, 2018**

(30) **Foreign Application Priority Data**

Jul. 27, 2018 (CN) 2018

(51) **LOC (12) Cl.** **13-02**

(52) **U.S. Cl.**
USPC **D13/102**

(58) **Field of Classification Search**
USPC D12/101; D13/102, 110, 122; D21/815;
D23/277, 278, 279, 280; D25/2
(Continued)

(56) **References Cited**

U.S. PATENT DOCUMENTS

D266,235 S * 9/1982 Hughes D12/101
D562,232 S * 2/2008 Sawatani D13/110
(Continued)

Primary Examiner — Susan Bennett Hattan
Assistant Examiner — Suzanne E Tisdell

(74) *Attorney, Agent, or Firm* — Harness, Dickey & Pierce, P.L.C.

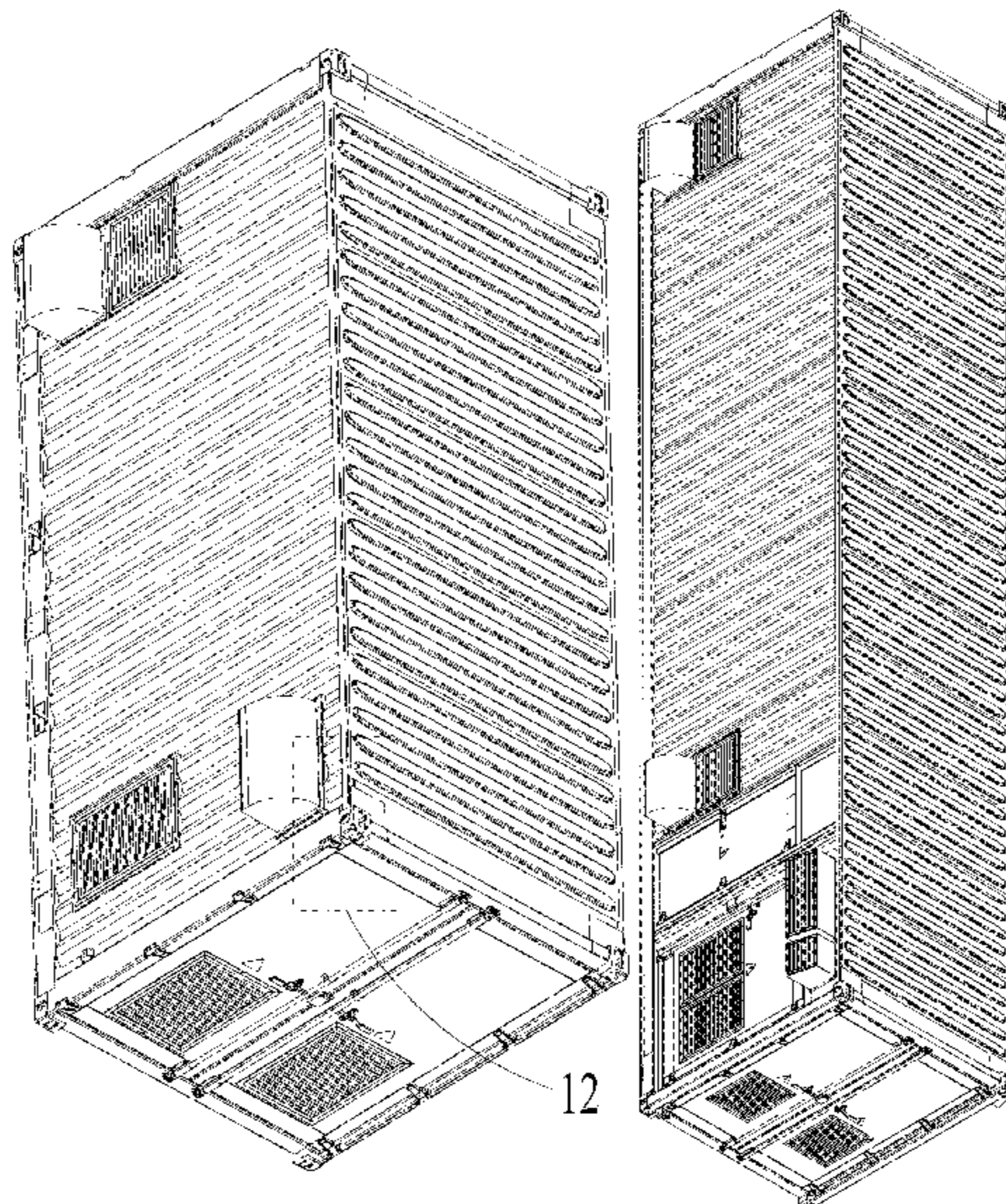
(57) **CLAIM**

The ornamental design for an energy storage system for integrated power station, as shown and described.

DESCRIPTION

FIG. 1 is a front view of an energy storage system for an integrated power station according to a first embodiment of the present application, showing our new design;
FIG. 2 is a rear view thereof;
FIG. 3 is a left view thereof;
FIG. 4 is a right view thereof;
FIG. 5 is a top view thereof;
FIG. 6 is a bottom view thereof;
FIG. 7 is a first perspective view thereof;
FIG. 8 is a second perspective view thereof;
FIG. 9 is an enlarged view of a portion of FIG. 3;
FIG. 10 is an enlarged view of another portion of FIG. 3;
FIG. 11 is an enlarged view of a portion of FIG. 6;
FIG. 12 is an enlarged view of a portion of FIG. 7;
FIG. 13 is an enlarged view of a portion of FIG. 8;
FIG. 14 is a front view of an energy storage system for an integrated power station according to a second embodiment of the present application, showing our new design;
FIG. 15 is a rear view thereof;
FIG. 16 is a left view thereof;
FIG. 17 is a right view thereof;
FIG. 18 is a top view thereof;
FIG. 19 is a bottom view thereof;
FIG. 20 is a first perspective view thereof;
FIG. 21 is a second perspective view thereof;
FIG. 22 is an enlarged view of FIG. 18;
FIG. 23 is an enlarged view of FIG. 19;
FIG. 24 is an enlarged view of a portion of FIG. 14;
FIG. 25 is an enlarged view of a portion of FIG. 15;
FIG. 26 is an enlarged view of a portion of FIG. 16;
FIG. 27 is an enlarged view of a portion of FIG. 17; and,
FIG. 28 is an enlarged view of a portion of FIG. 21.

1 Claim, 28 Drawing Sheets



(58) **Field of Classification Search**

CPC H01M 2/1077; H01M 4/505; H01M 4/525;
H01M 4/5825; H01M 10/425; H01M
10/613; H01M 10/663; H01M 2010/4271;
H01M 2220/10; H02J 7/0013; H02S
40/38; F28D 20/02; F28D 20/021; F28D
20/026; F28D 17/00

See application file for complete search history.

(56) **References Cited**

U.S. PATENT DOCUMENTS

8,276,396 B2 * 10/2012 Siegenthaler H02K 9/19
62/239
9,451,758 B2 * 9/2016 Kaneda A01K 13/001
D803,783 S * 11/2017 Alberti D13/122
10,012,451 B2 * 7/2018 Owens F28D 20/02
10,125,035 B2 * 11/2018 Schmidt C02F 1/441
D835,294 S * 12/2018 Rathnam D25/2
10,181,667 B1 * 1/2019 Hemnani H01R 13/113
D864,402 S * 10/2019 Rathnam D24/204
D864,416 S * 10/2019 Rathnam D25/2
D870,918 S * 12/2019 Rathnam D25/2
10,511,001 B1 * 12/2019 Zhang H01M 10/663

* cited by examiner

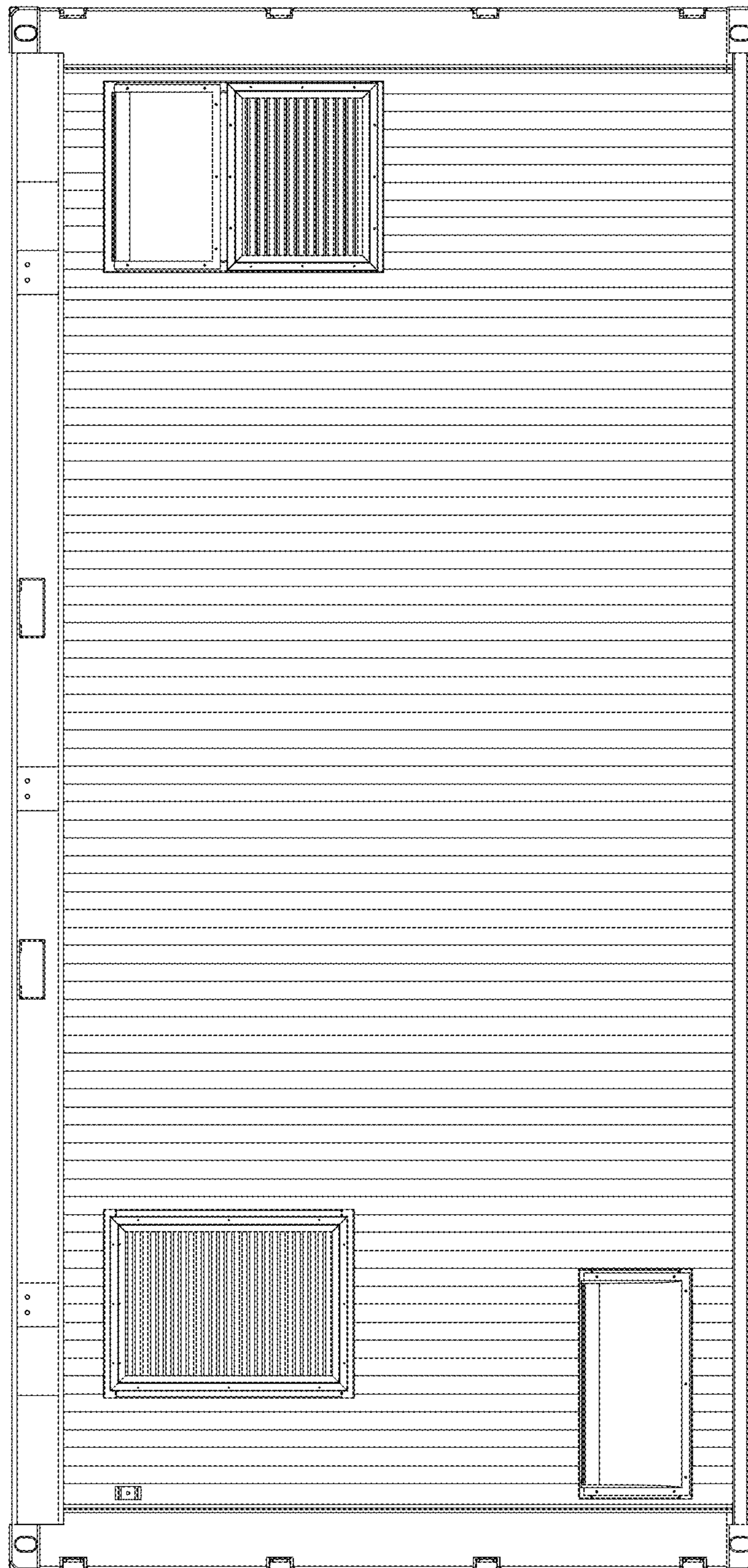


Fig. 1

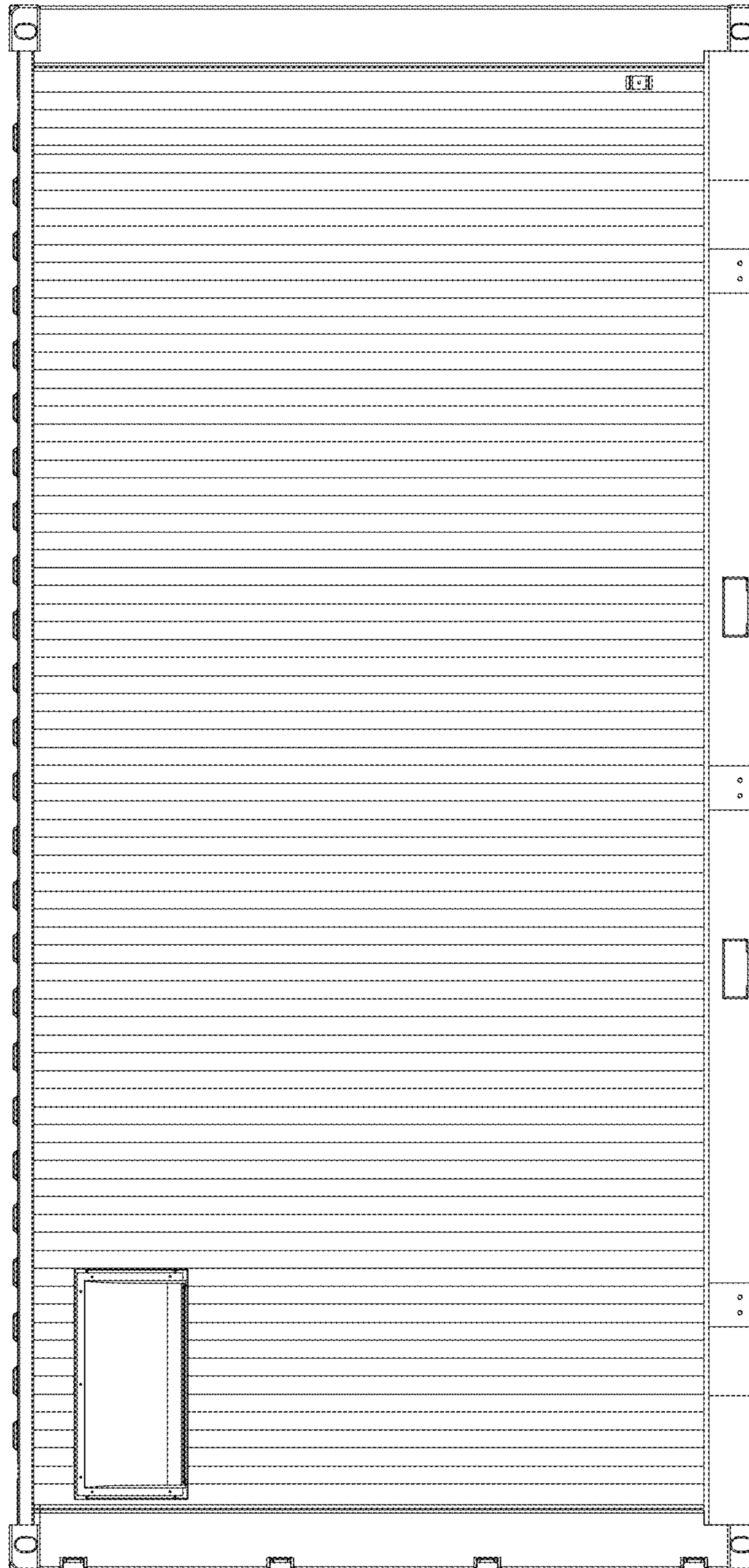


Fig. 2

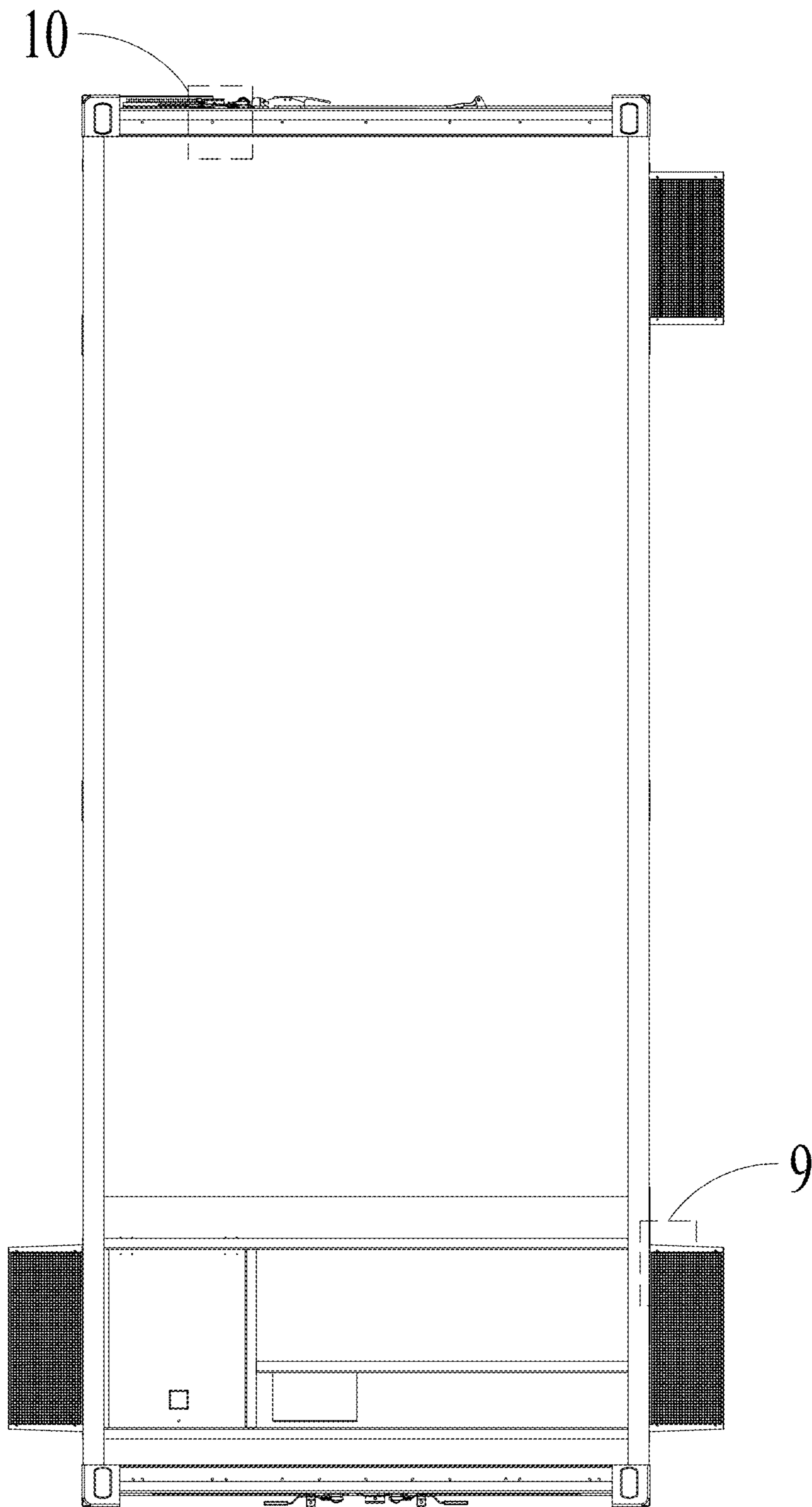


Fig. 3

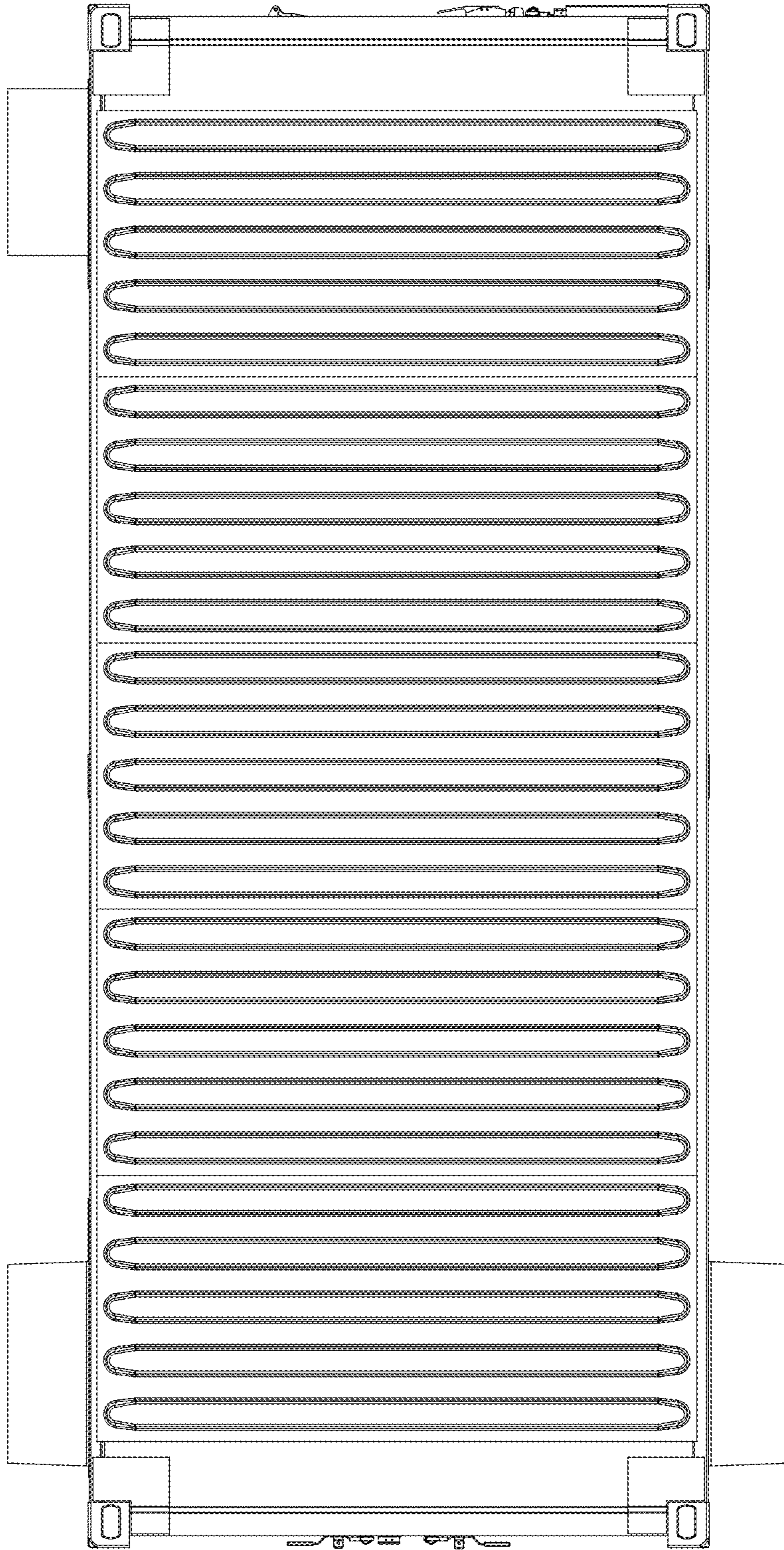


Fig. 4

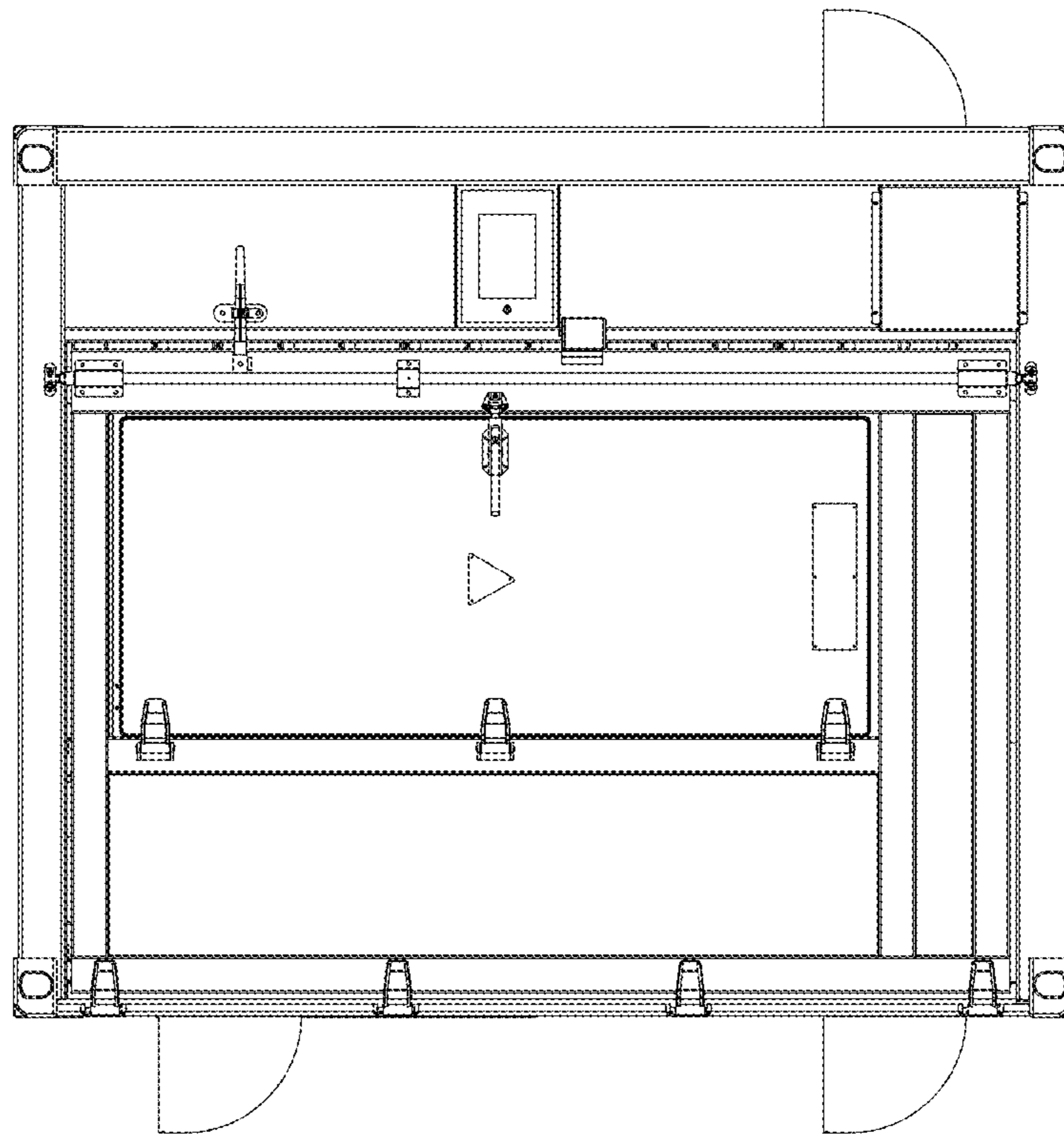


Fig. 5

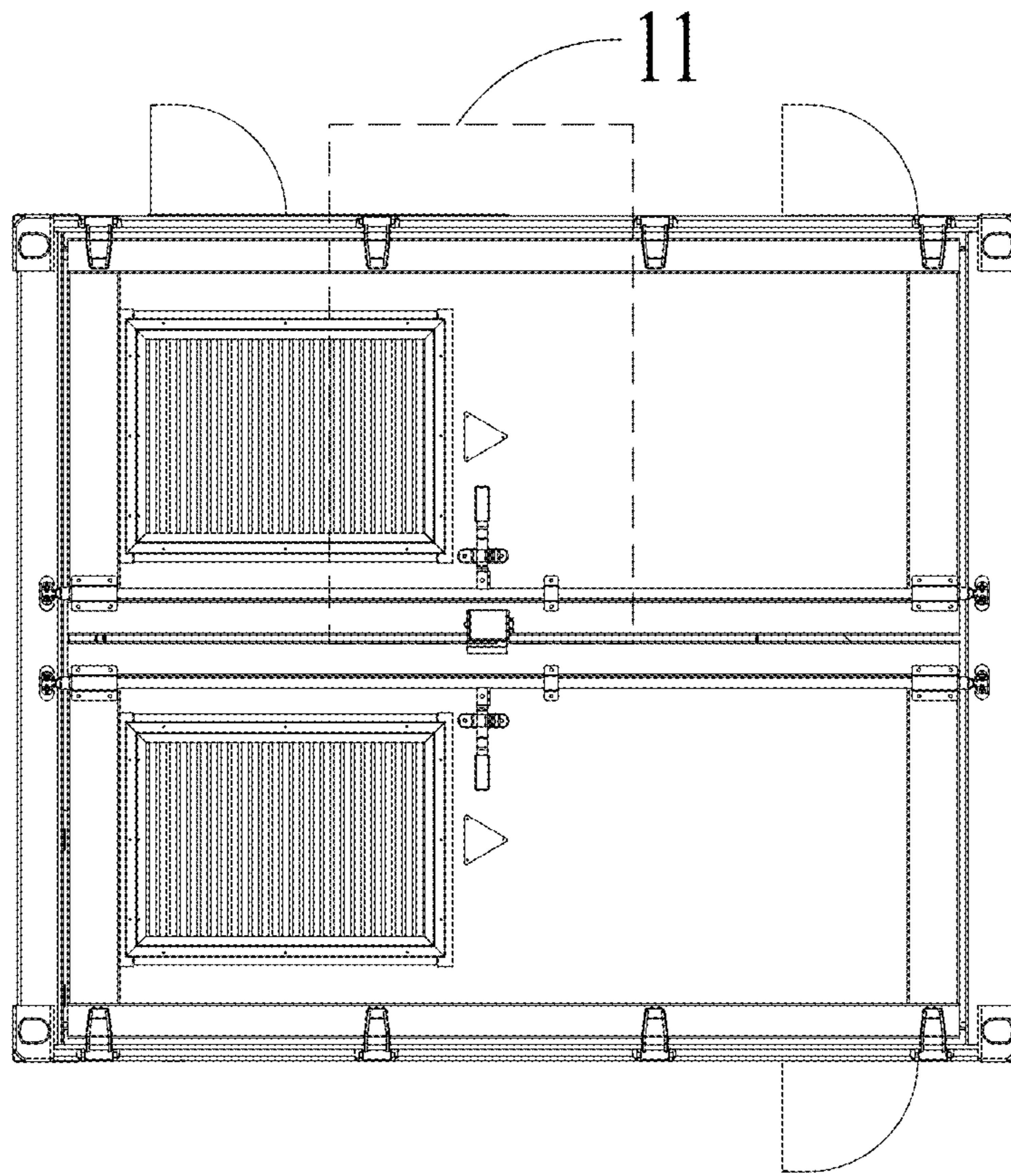


Fig. 6

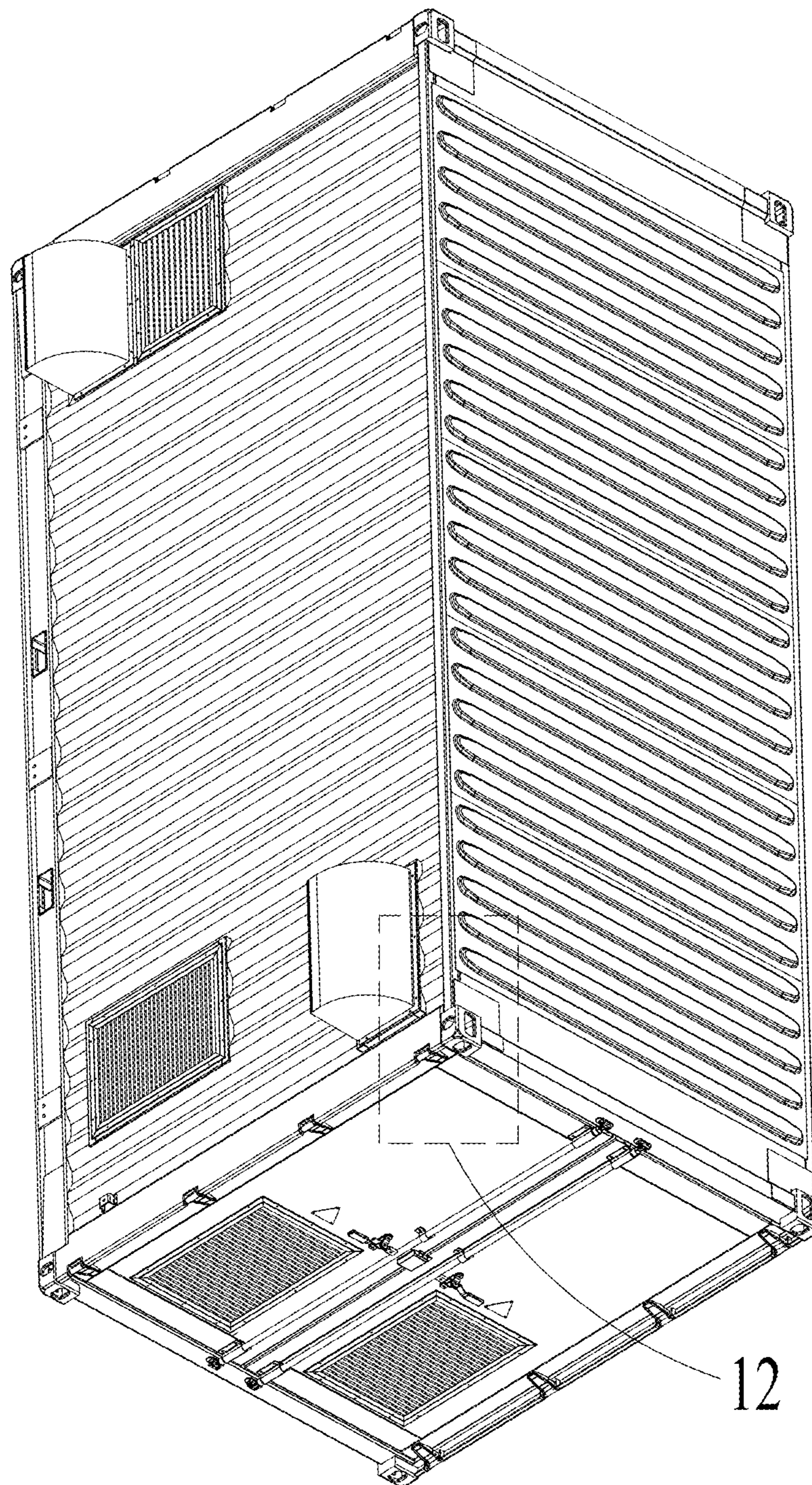


Fig. 7

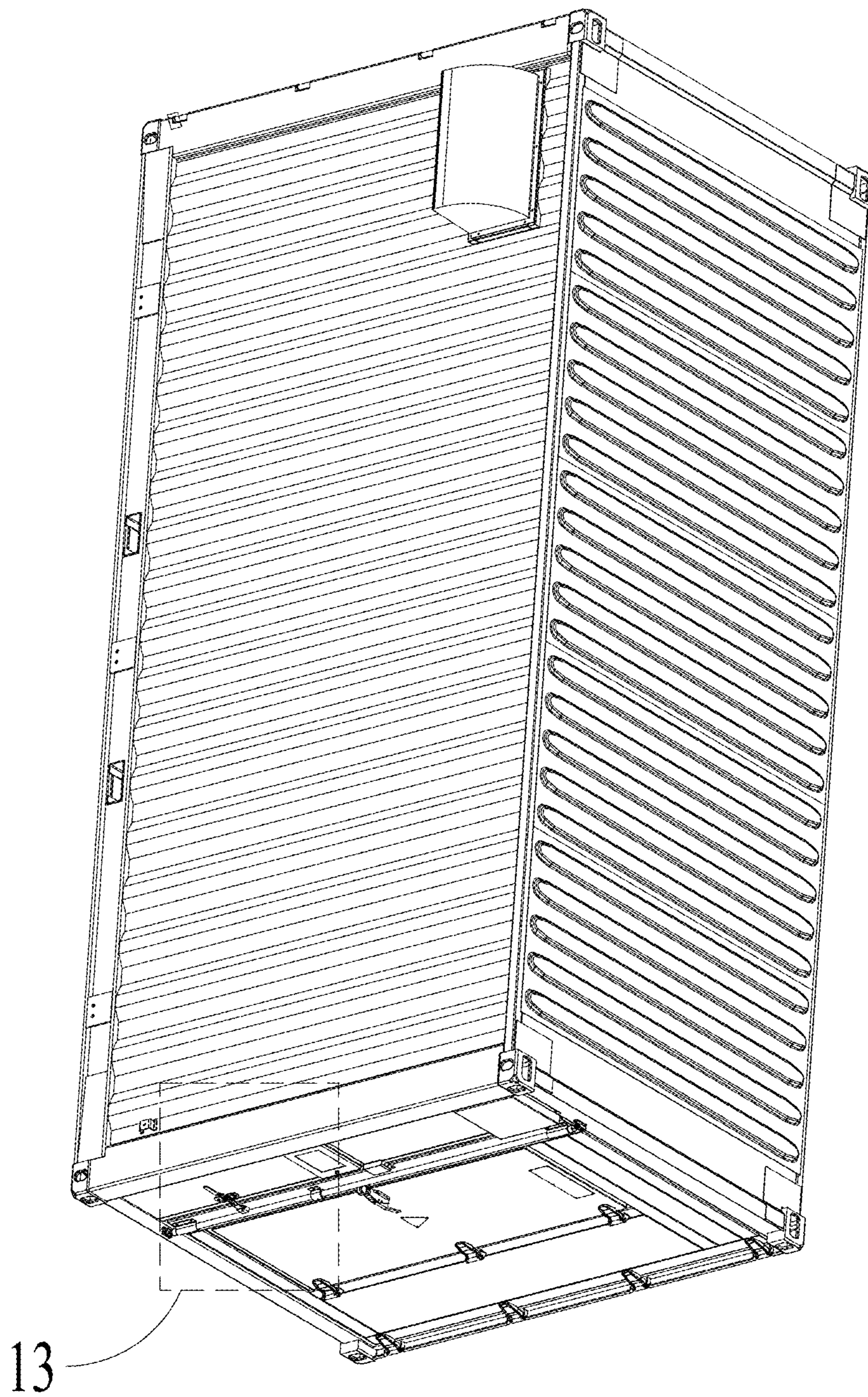


Fig. 8

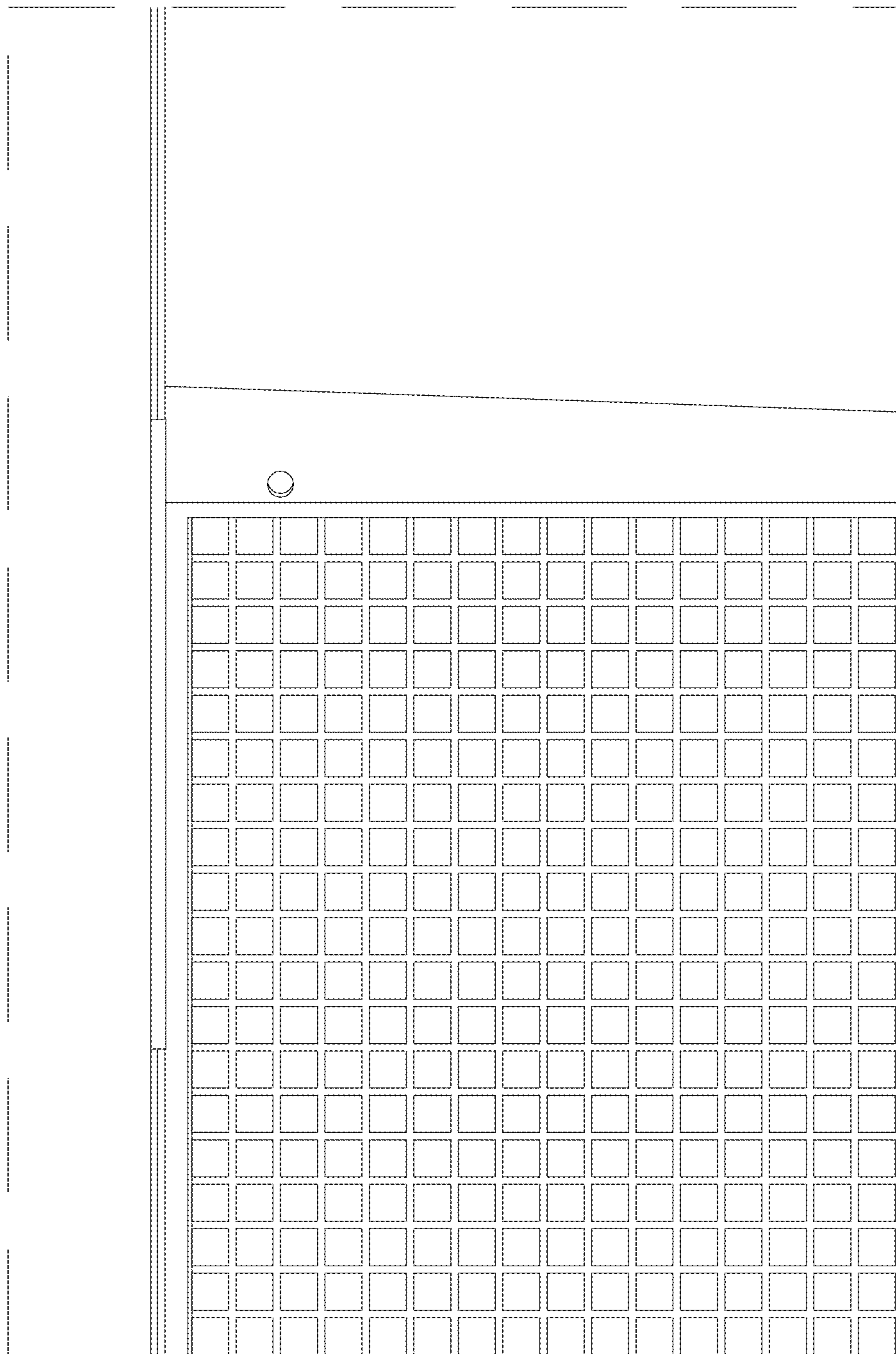


Fig. 9

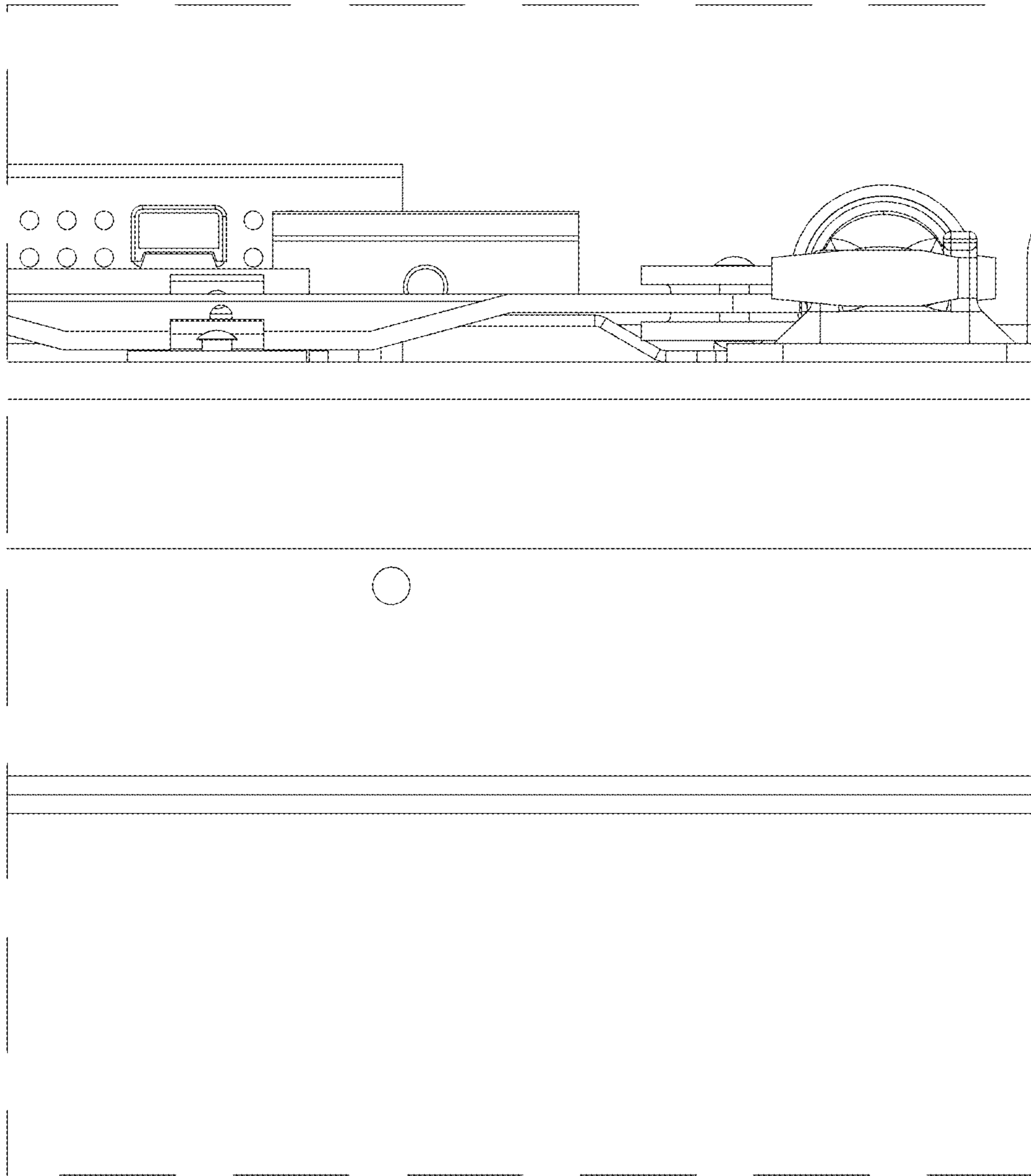


Fig. 10

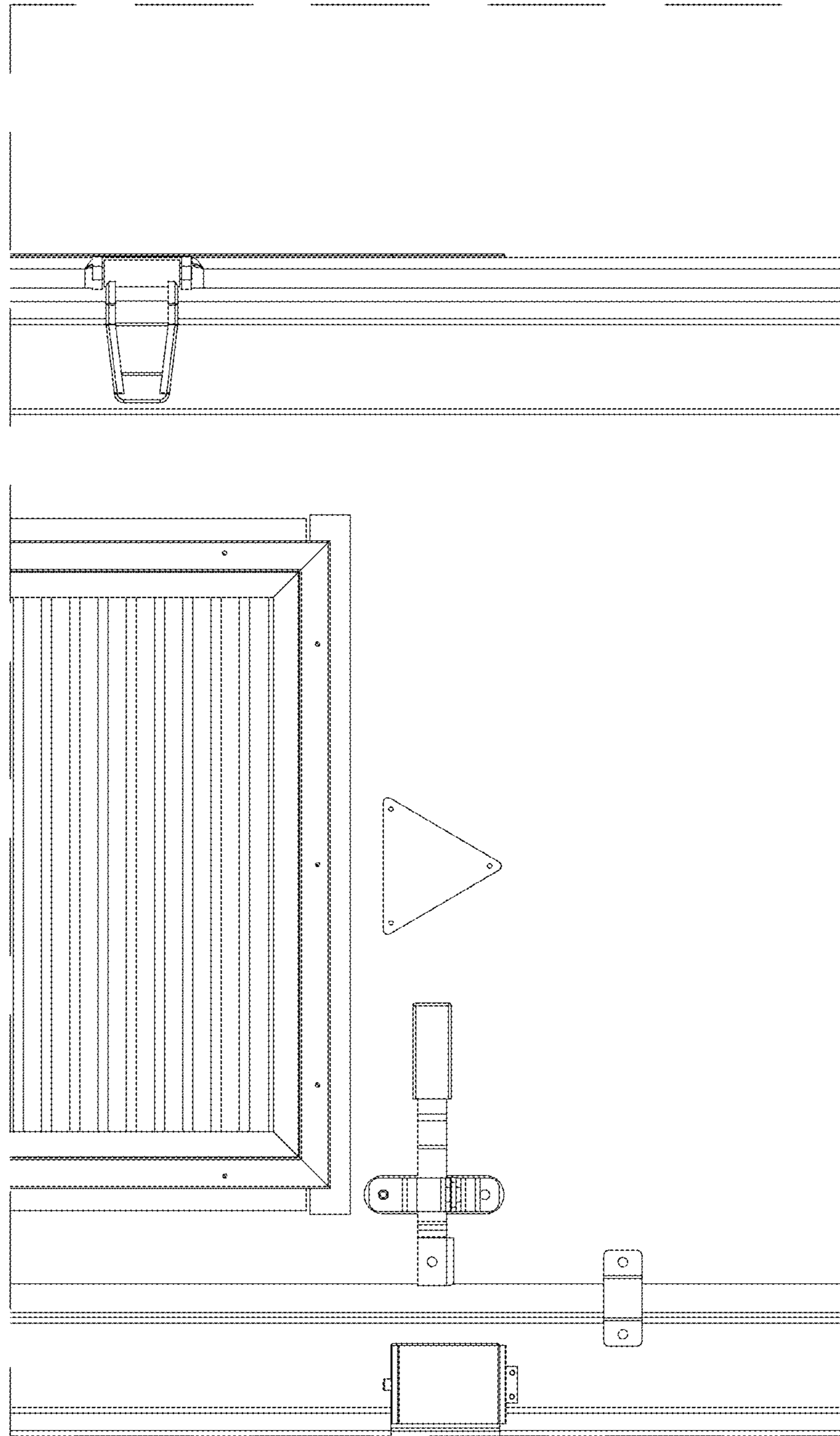


Fig. 11

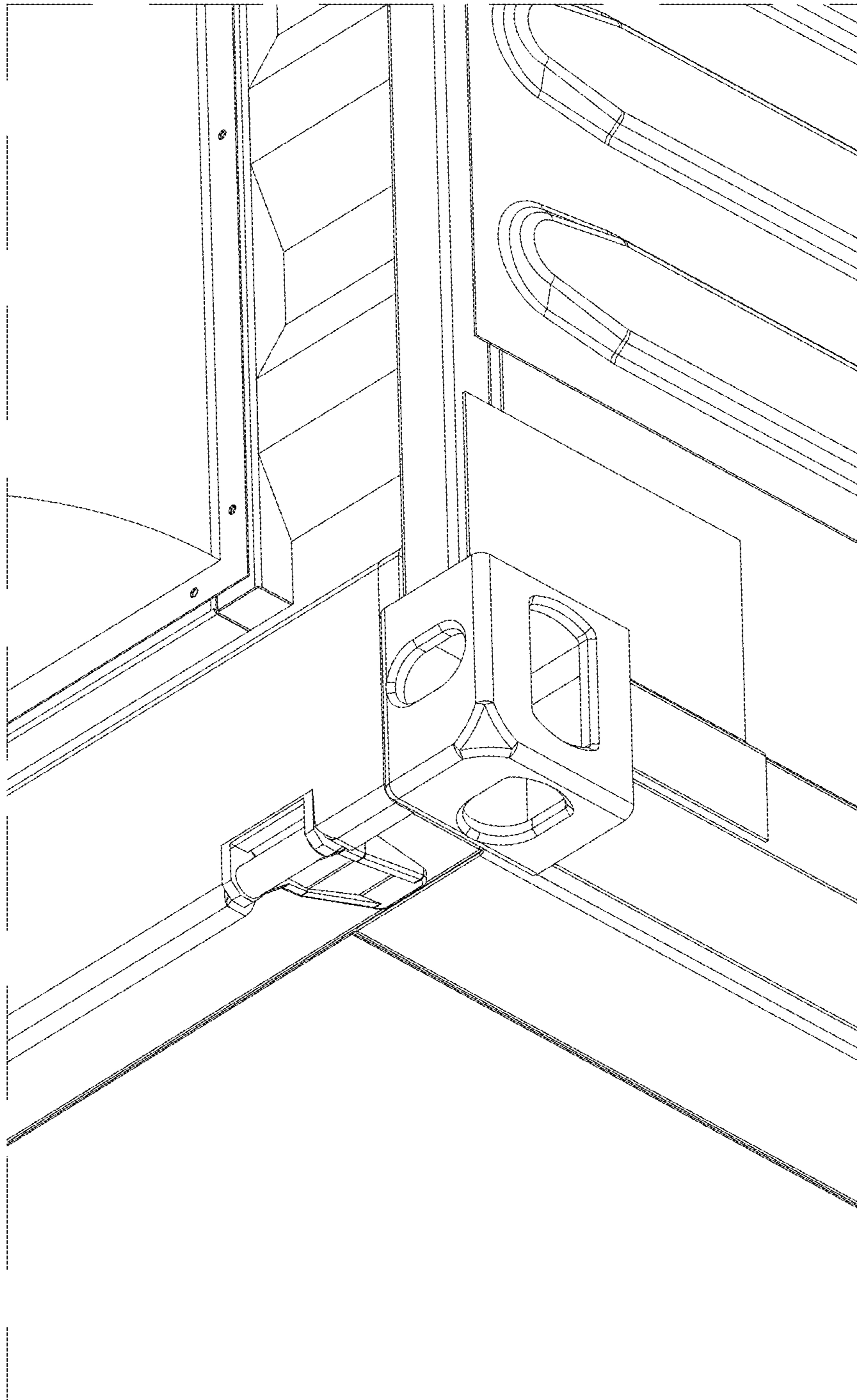


Fig. 12

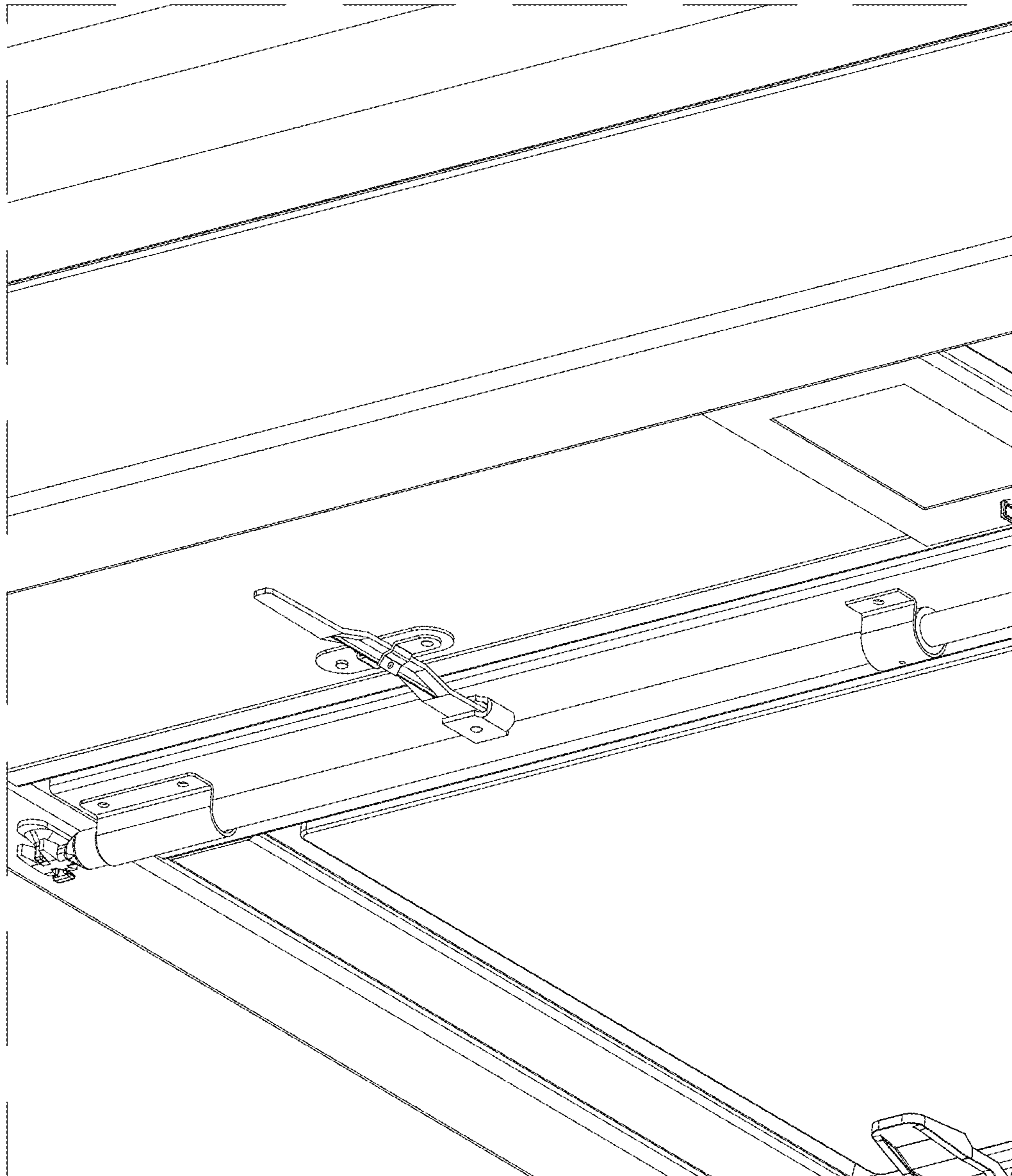


Fig. 13

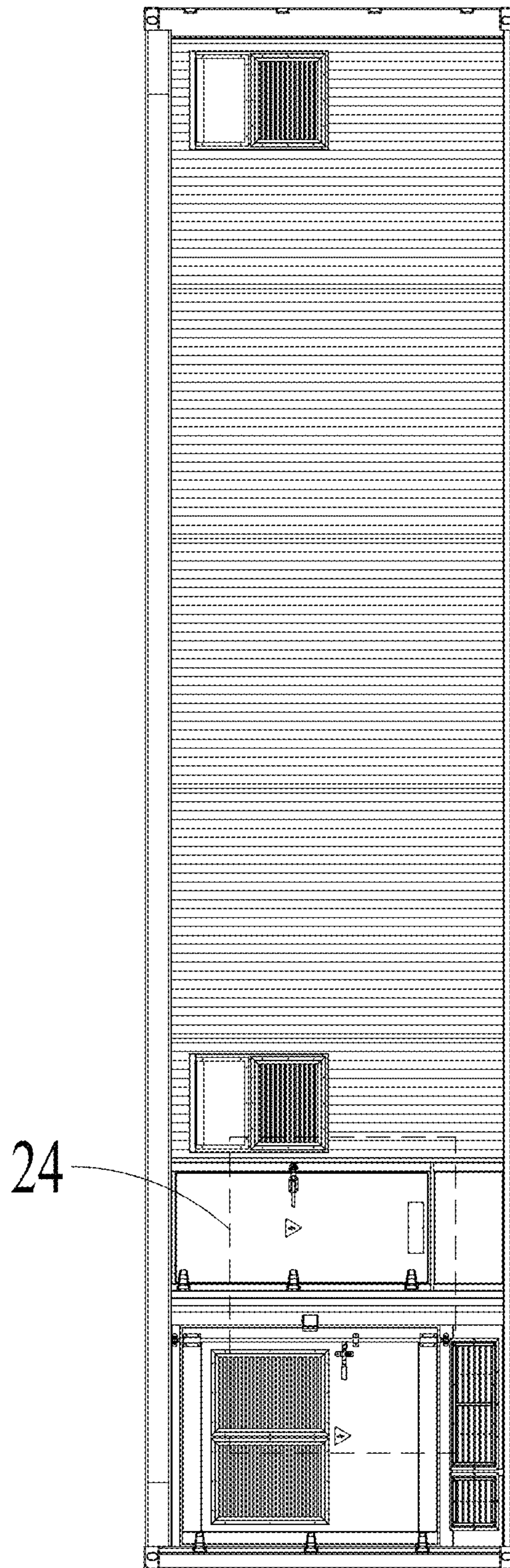


Fig. 14

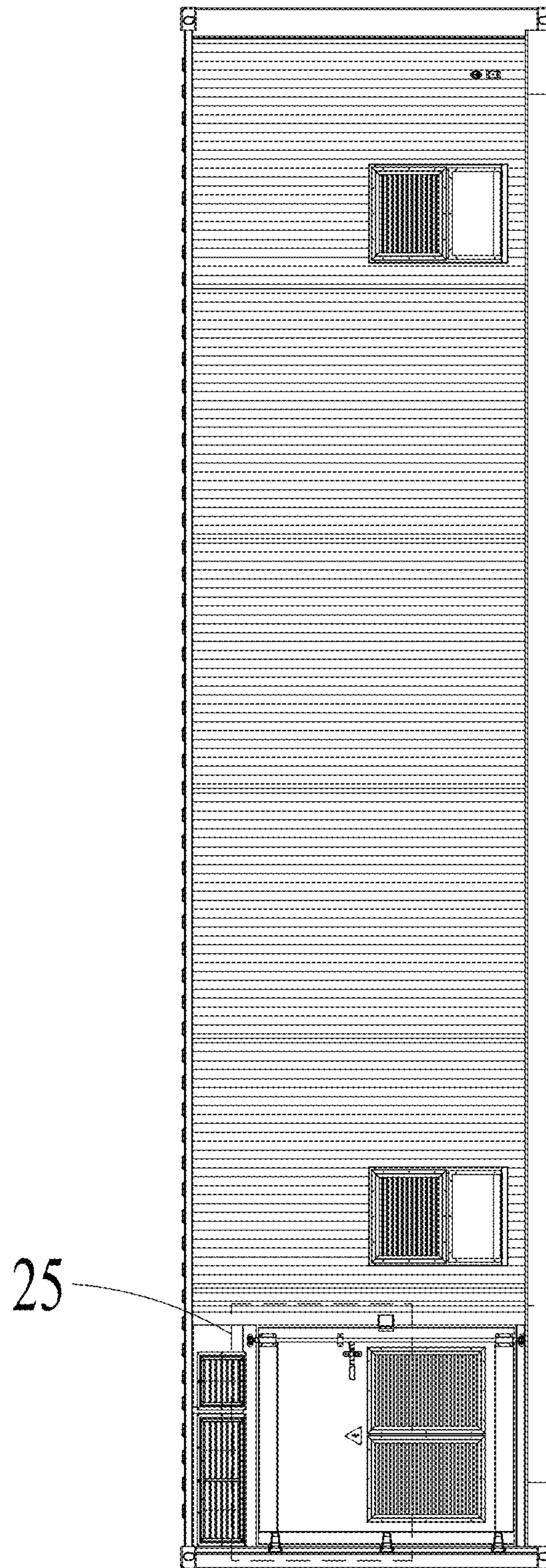


Fig. 15

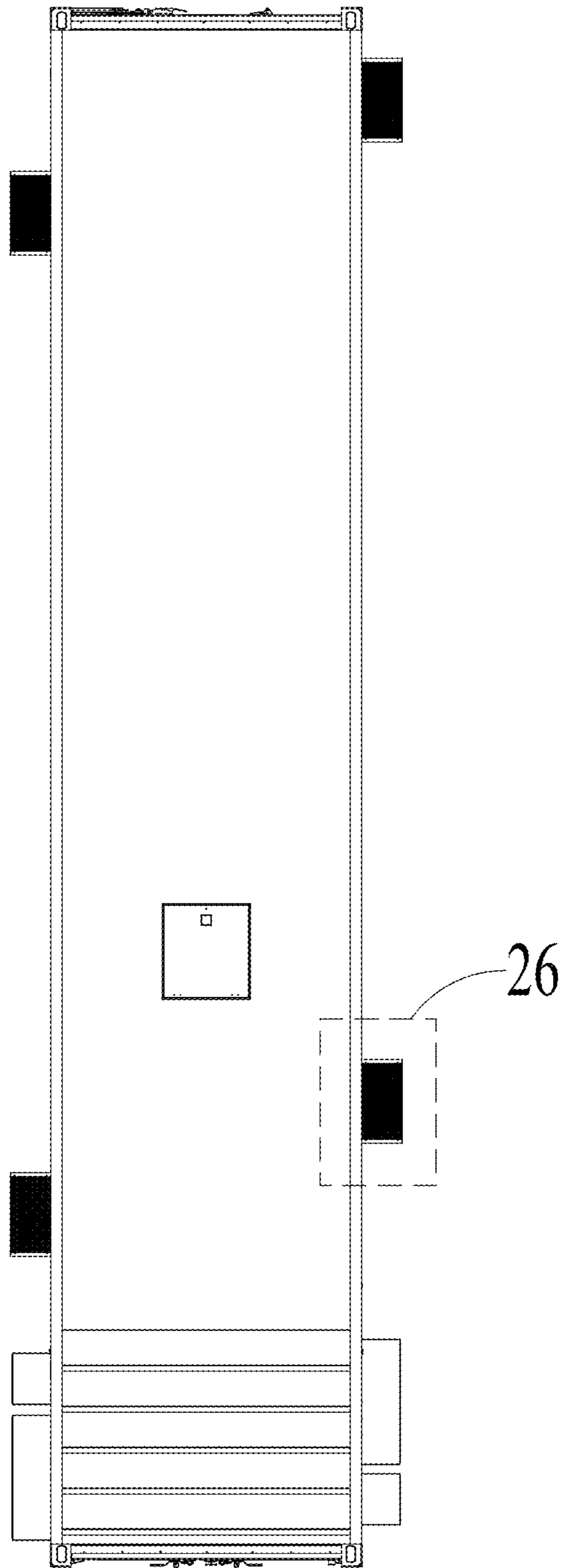


Fig. 16

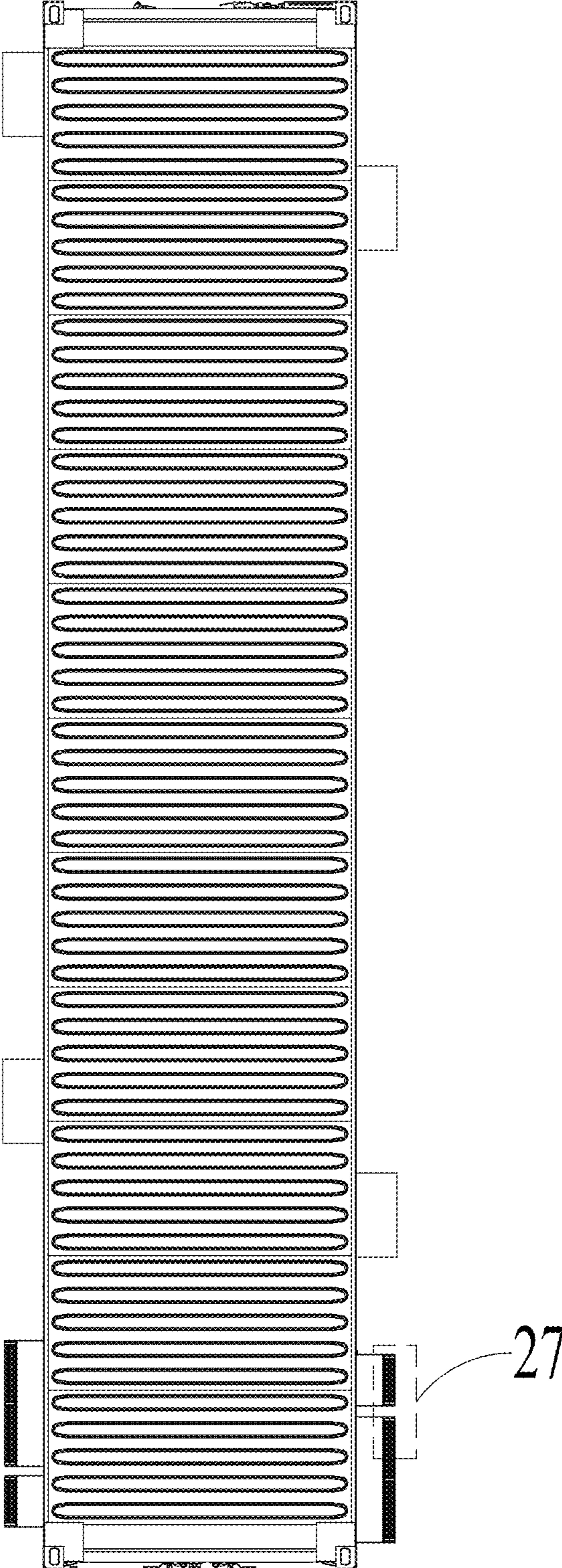


Fig. 17

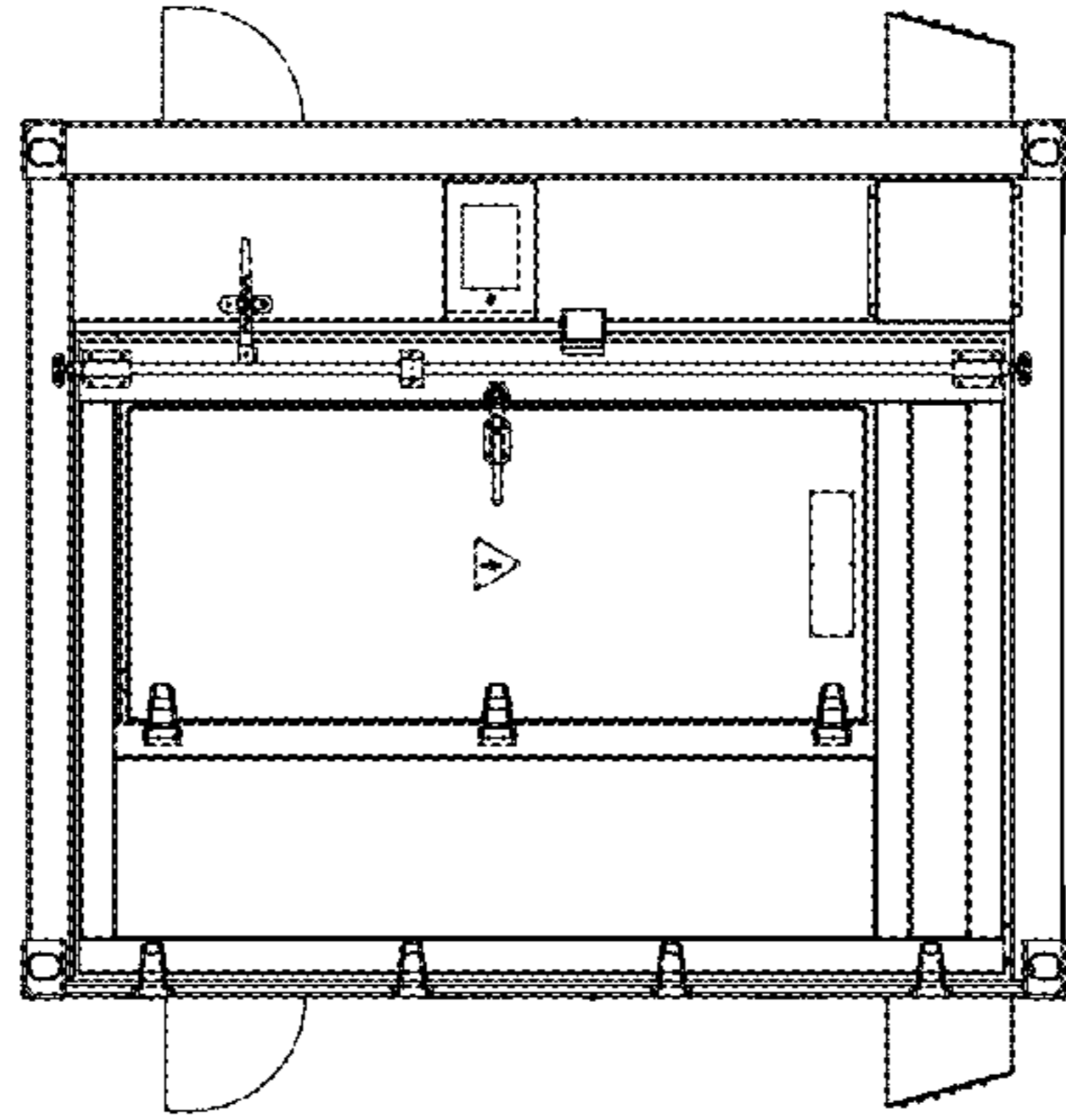


Fig. 18

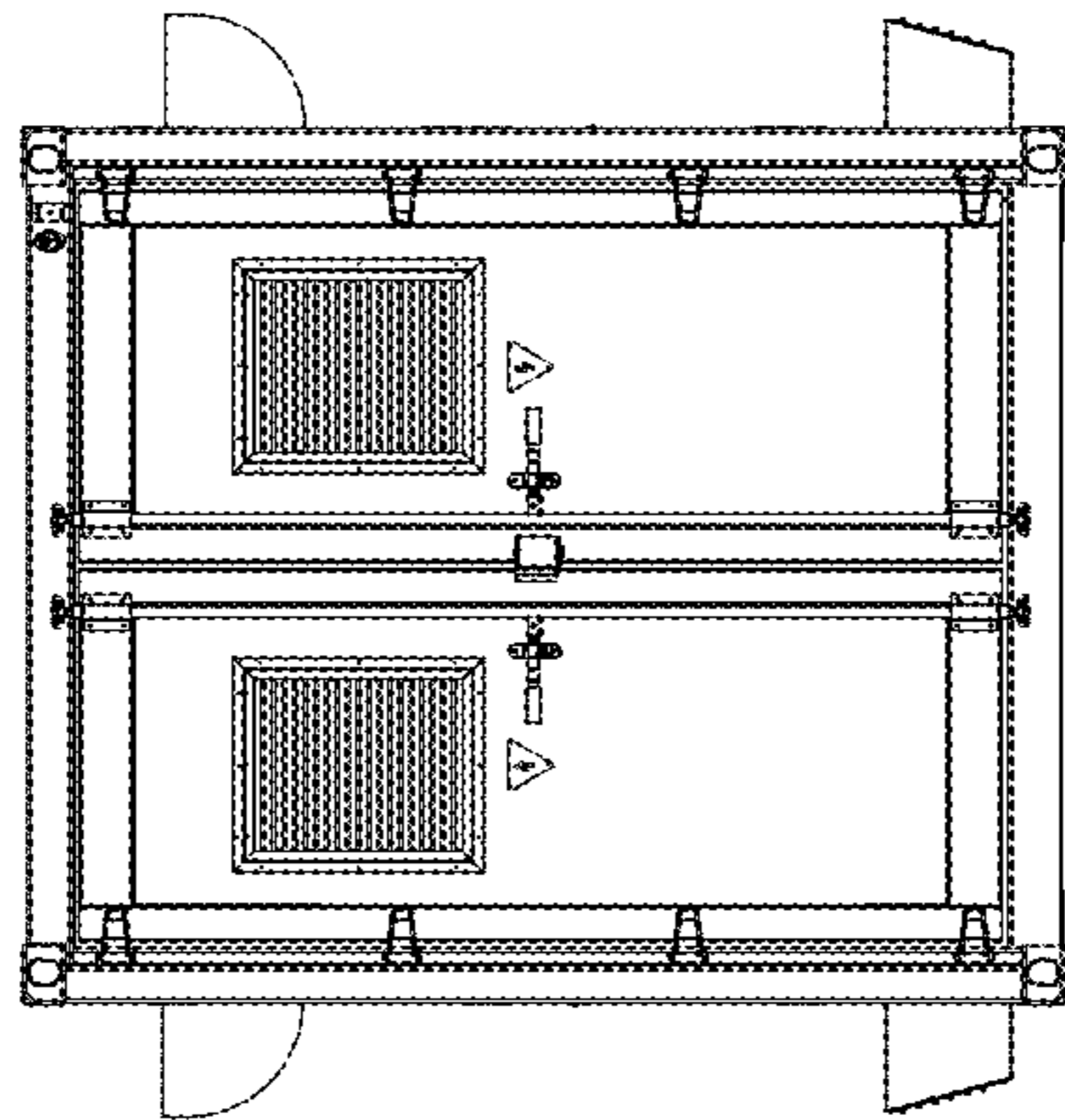


Fig. 19

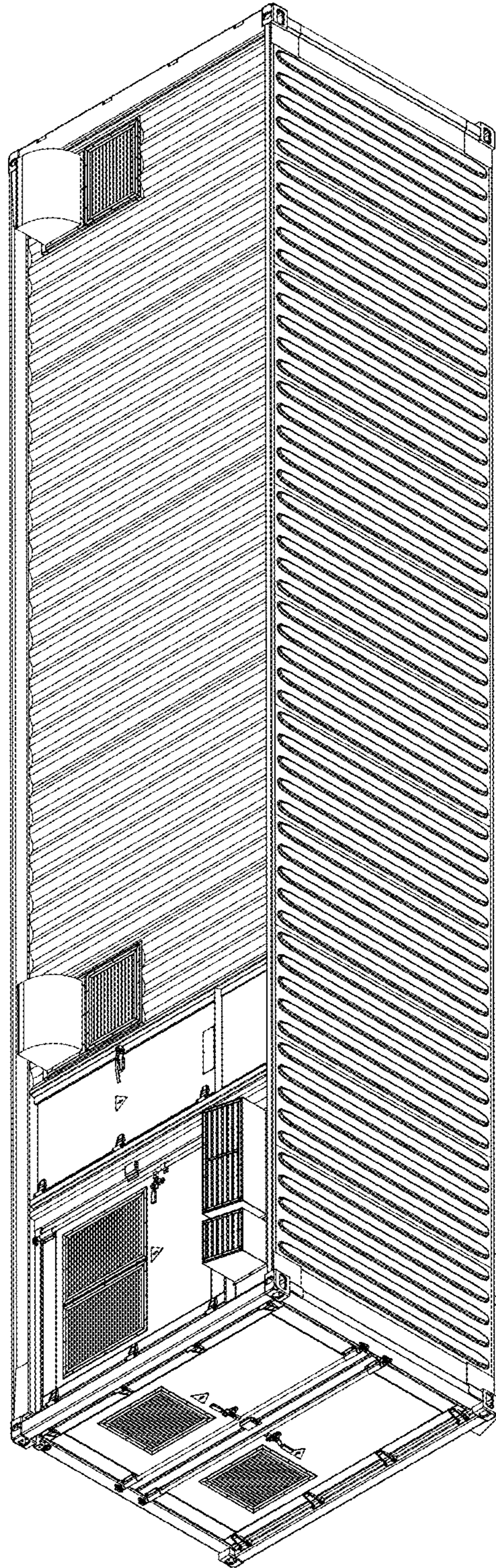


Fig. 20

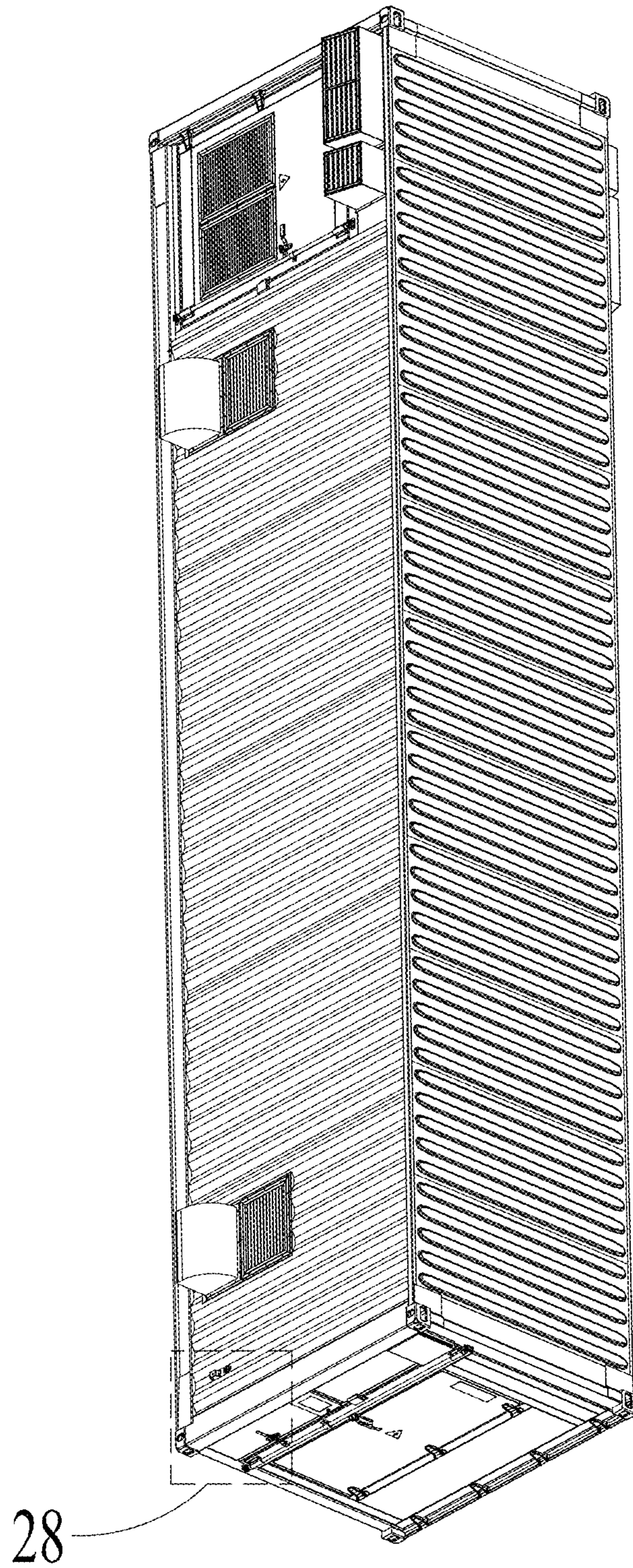


Fig. 21

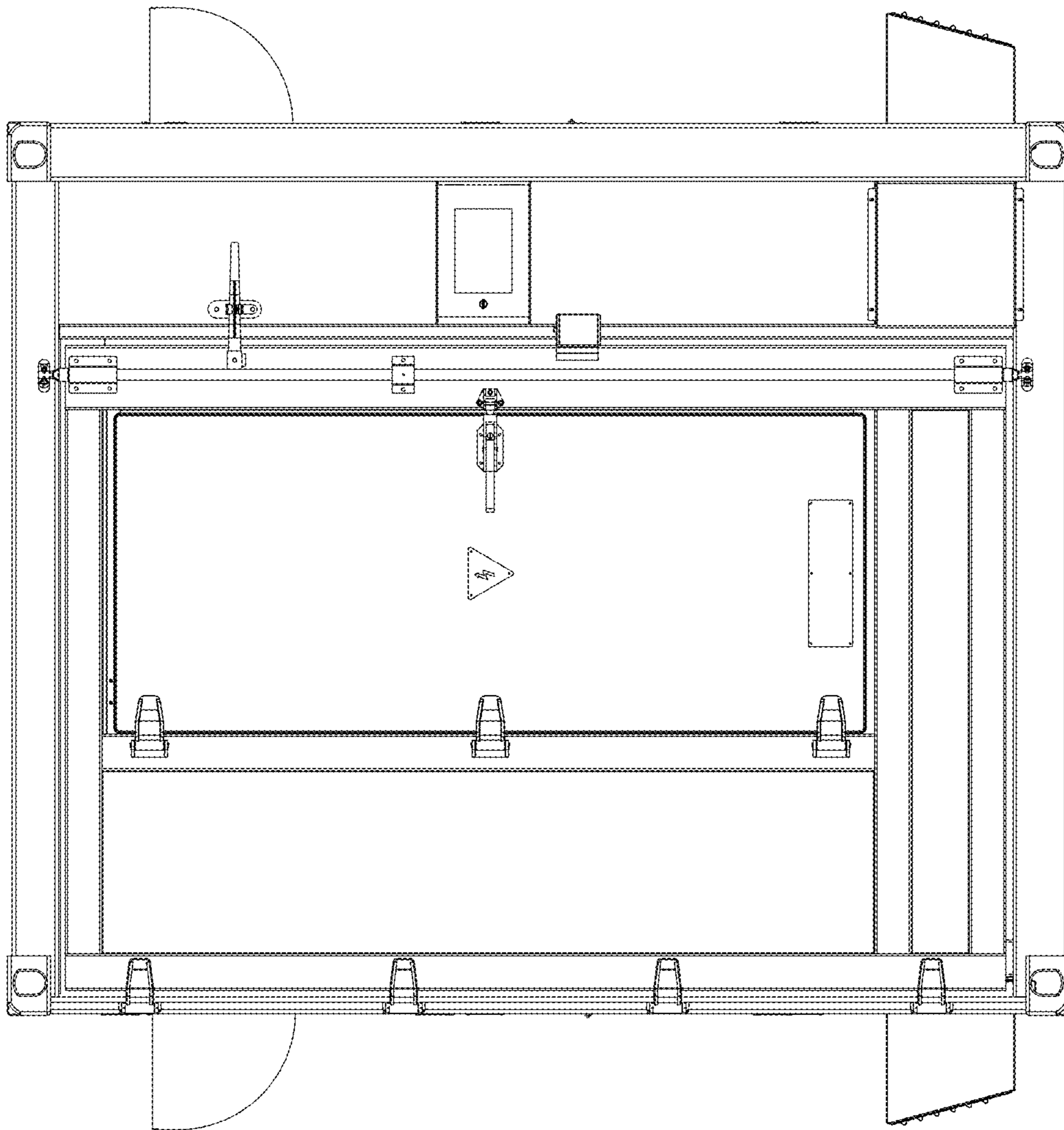


Fig. 22

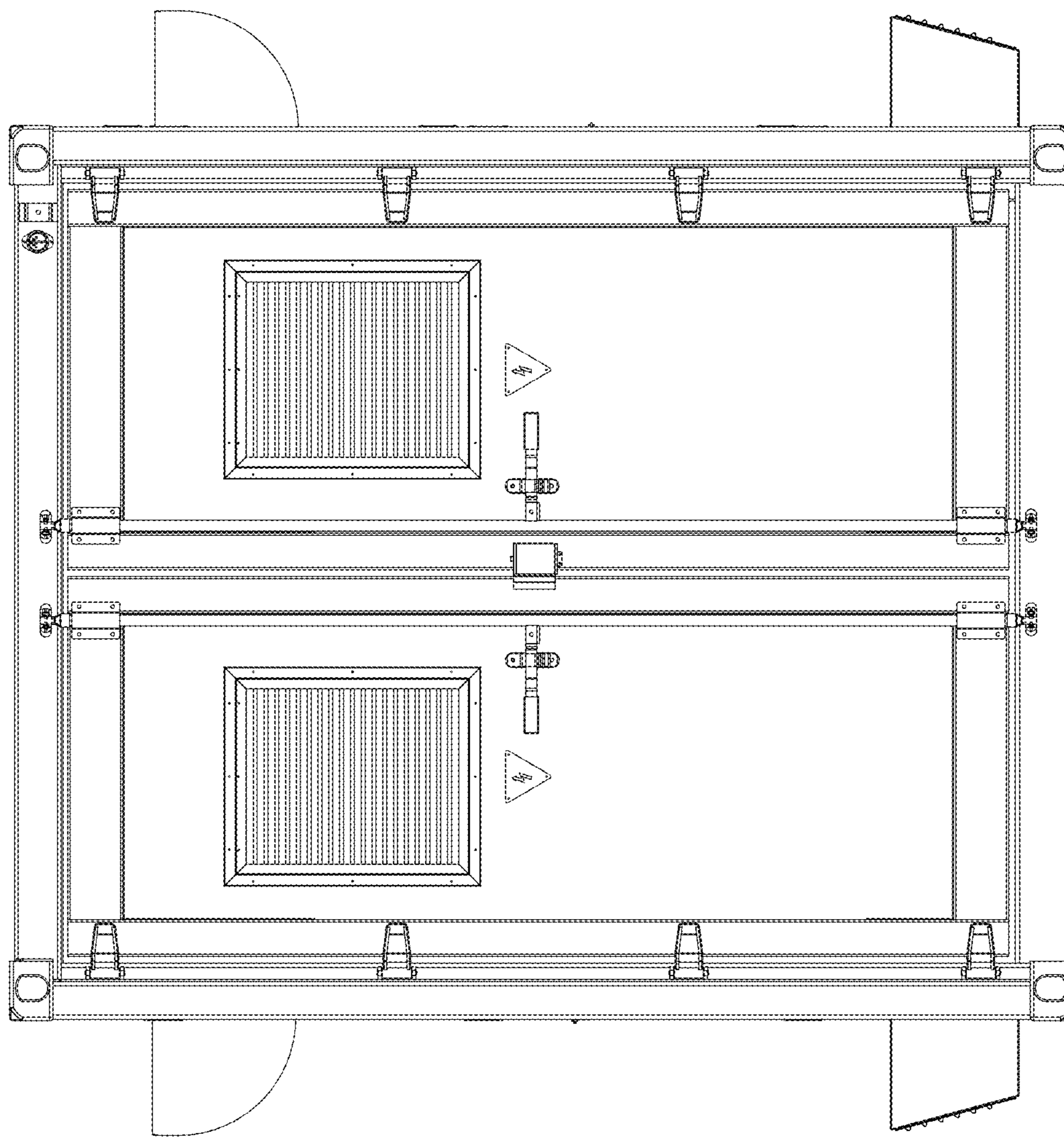


Fig. 23

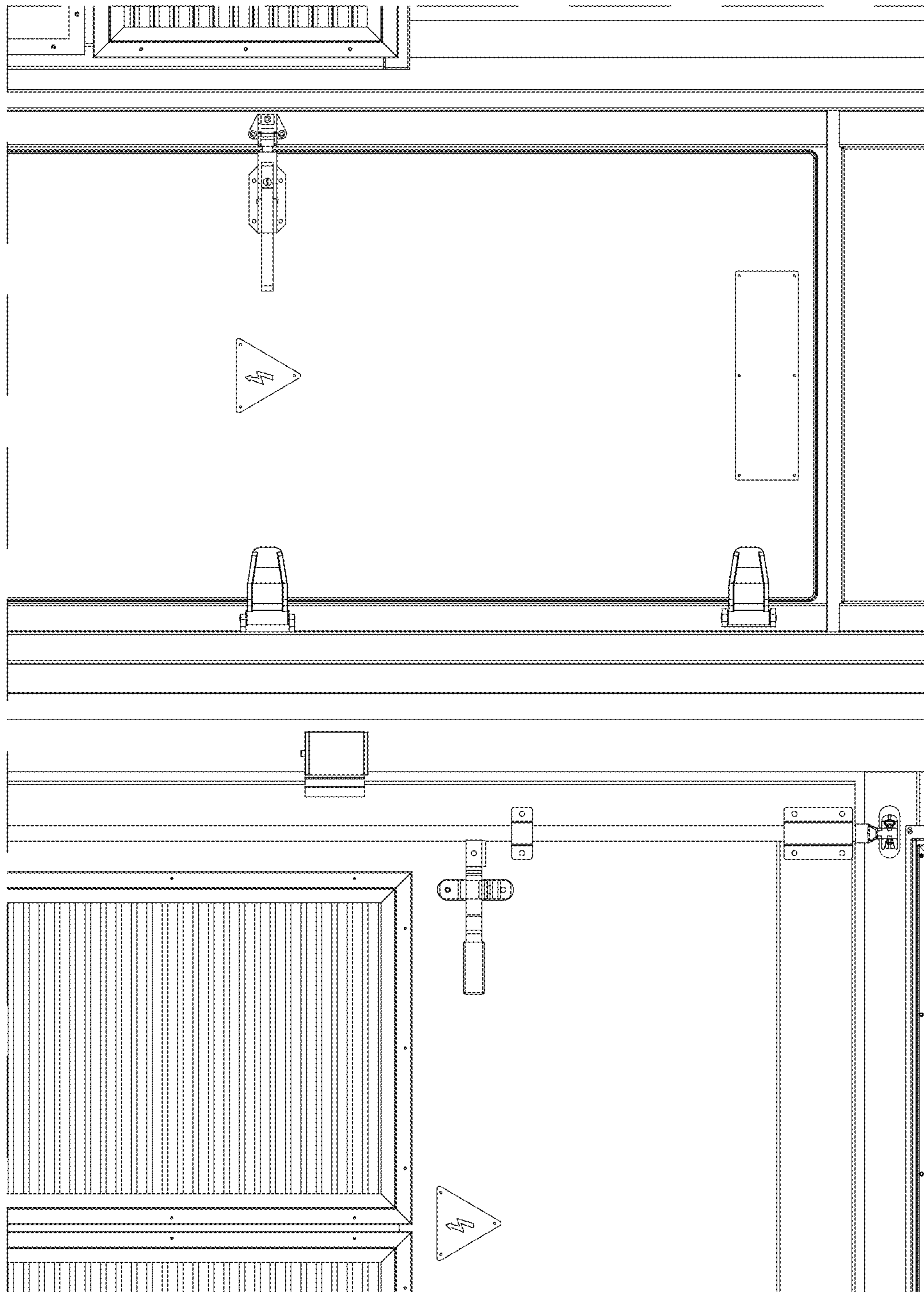


Fig. 24

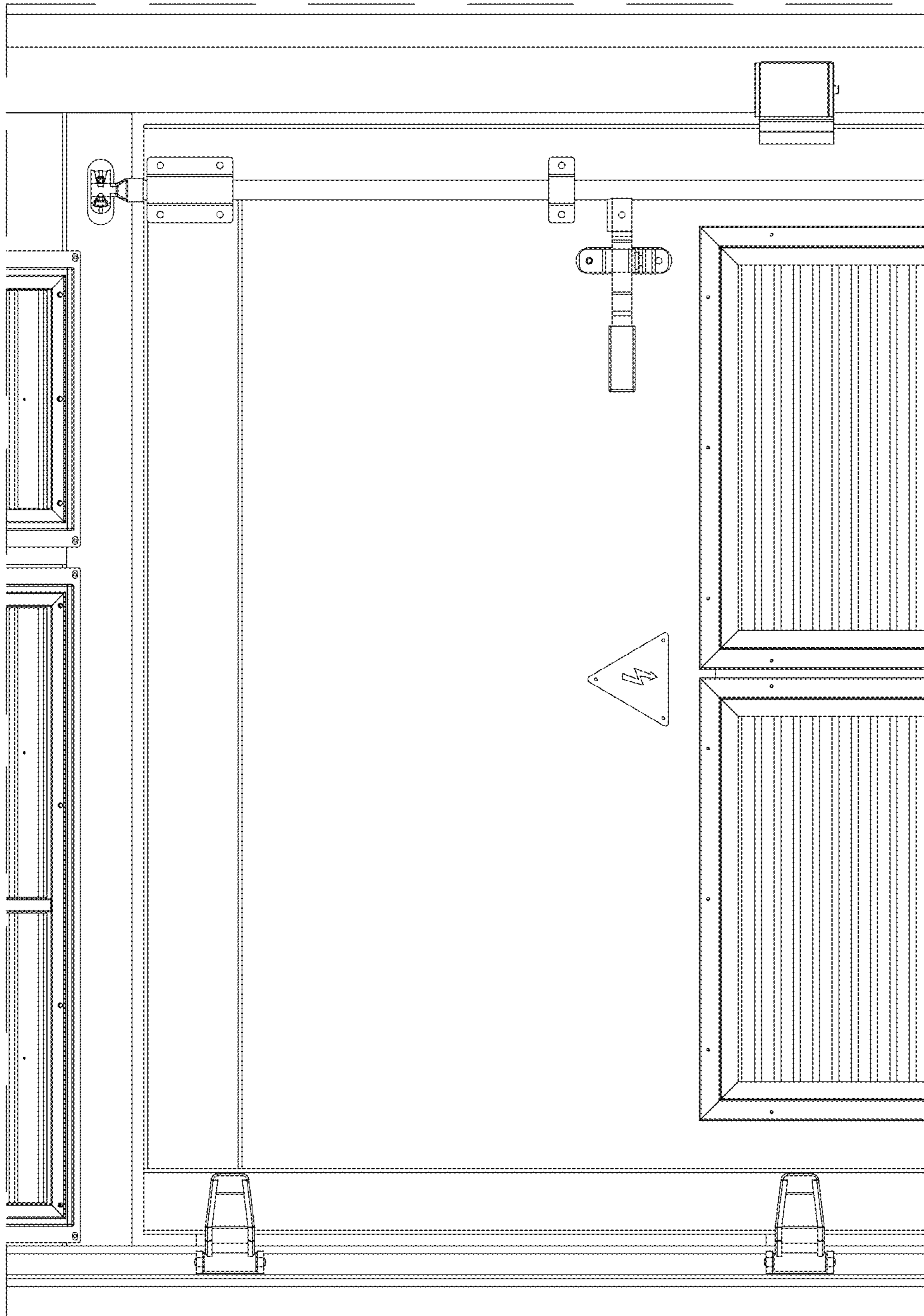


Fig. 25

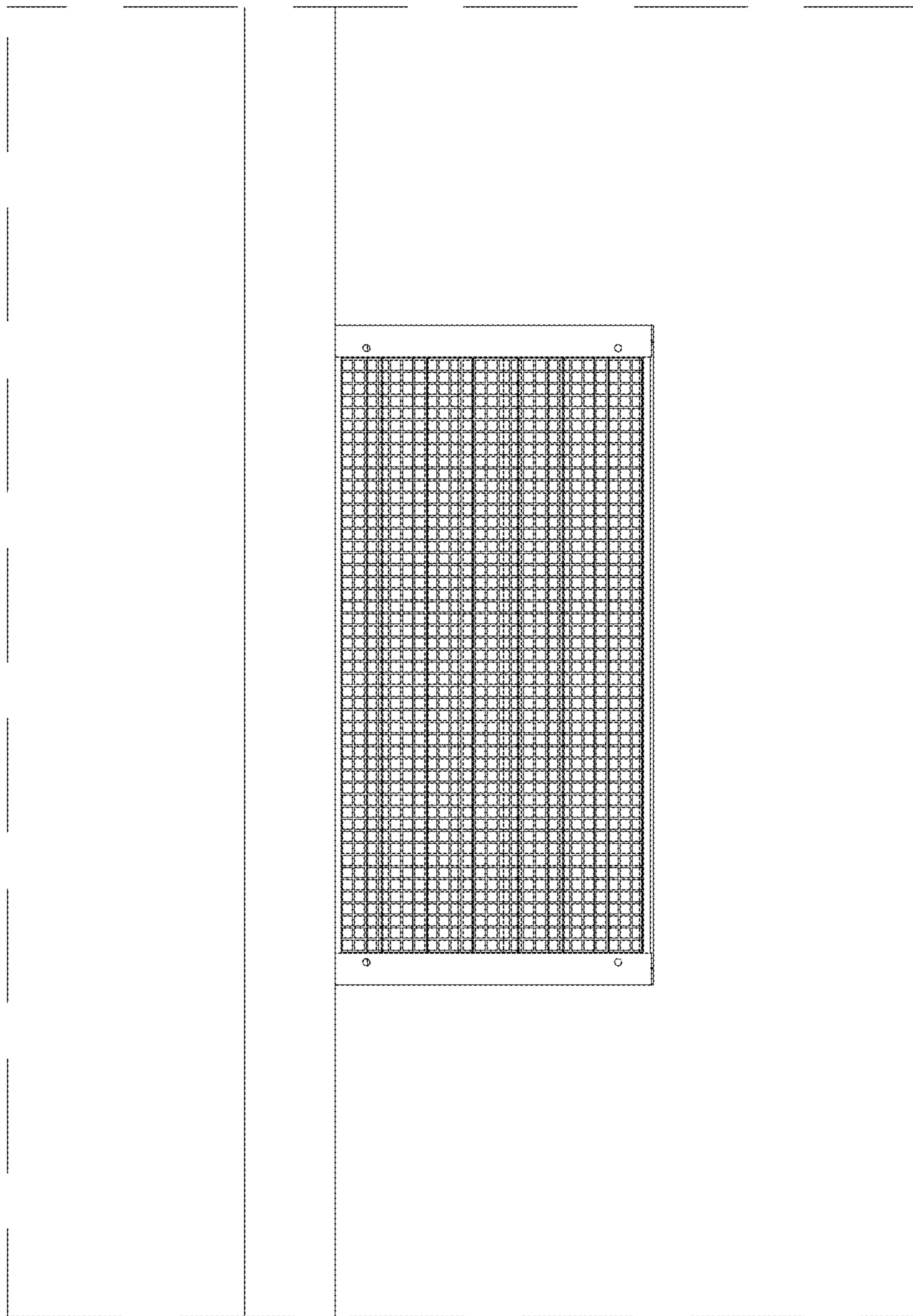


Fig. 26

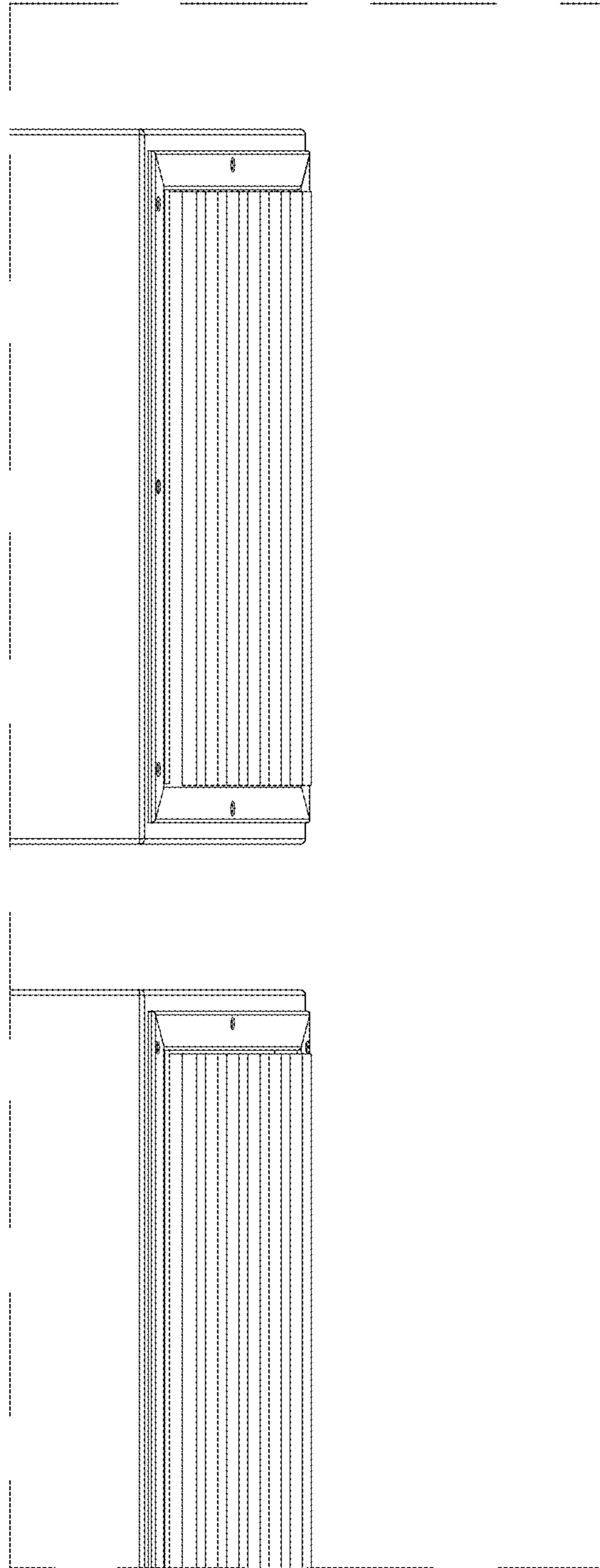


Fig. 27

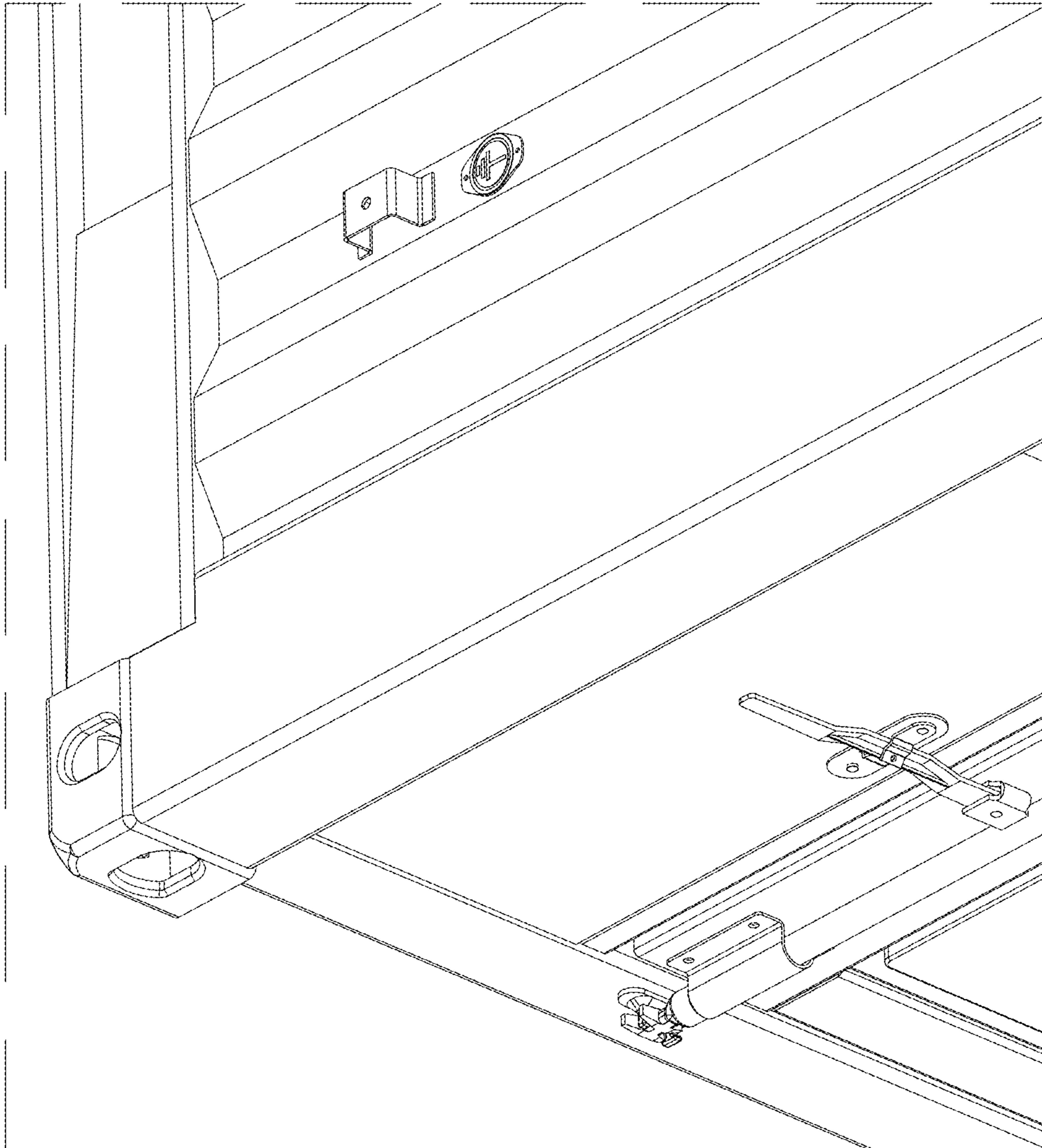


Fig. 28