



US00D902141S

(12) **United States Design Patent** (10) **Patent No.:** **US D902,141 S**  
**Zheng et al.** (45) **Date of Patent:** **\*\* Nov. 17, 2020**

- (54) **ENERGY STORAGE BOX** 8,276,396 B2 \* 10/2012 Siegenthaler ..... H02K 9/19  
62/239  
(71) Applicant: **SUNGROW POWER SUPPLY CO., LTD.**, Anhui (CN) 9,451,758 B2 \* 9/2016 Kaneda ..... A01K 13/001  
D803,783 S \* 11/2017 Alberti ..... D13/122  
(72) Inventors: **Sigen Zheng**, Anhui (CN); **Guohong Li**, Anhui (CN); **Hongsheng Dou**, Anhui (CN); **Ziliang Jiang**, Anhui (CN) 10,012,451 B2 \* 7/2018 Owens ..... F28D 20/02  
10,125,035 B2 \* 11/2018 Schmidt ..... C02F 1/441  
D835,294 S \* 12/2018 Rathnam ..... D25/2  
10,181,667 B1 \* 1/2019 Hemnani ..... H01R 13/113  
D864,402 S \* 10/2019 Rathnam ..... D24/204  
D864,416 S \* 10/2019 Rathnam ..... D25/2  
(73) Assignee: **SUNGROW POWER SUPPLY CO., LTD.**, Anhui (CN) D870,918 S \* 12/2019 Rathnam ..... D25/2  
10,511,001 B1 \* 12/2019 Zhang ..... H01M 10/663

(\*\*) Term: **15 Years**

(21) Appl. No.: **29/675,214**

(22) Filed: **Dec. 28, 2018**

(30) **Foreign Application Priority Data**

Jul. 6, 2018 (CN) ..... 2018 3 0361056

(51) **LOC (12) Cl.** ..... **13-02**

(52) **U.S. Cl.**  
USPC ..... **D13/102**

(58) **Field of Classification Search**  
USPC ..... D12/101; D13/102, 110, 122; D21/815;  
D23/277, 278, 279, 280; D25/2  
CPC .... H01M 2/1077; H01M 4/505; H01M 4/525;  
H01M 4/5825; H01M 10/425; H01M  
10/613; H01M 10/663; H01M 2010/4271;  
H01M 2220/10; H02J 7/0013; H02S  
40/38

See application file for complete search history.

(56) **References Cited**

**U.S. PATENT DOCUMENTS**

- D266,235 S \* 9/1982 Hughes ..... D12/101  
D562,232 S \* 2/2008 Sawatani ..... D13/110

\* cited by examiner

*Primary Examiner* — Susan Bennett Hattan

*Assistant Examiner* — Suzanne E Tisdell

(74) *Attorney, Agent, or Firm* — Harness, Dickey & Pierce, P.L.C.

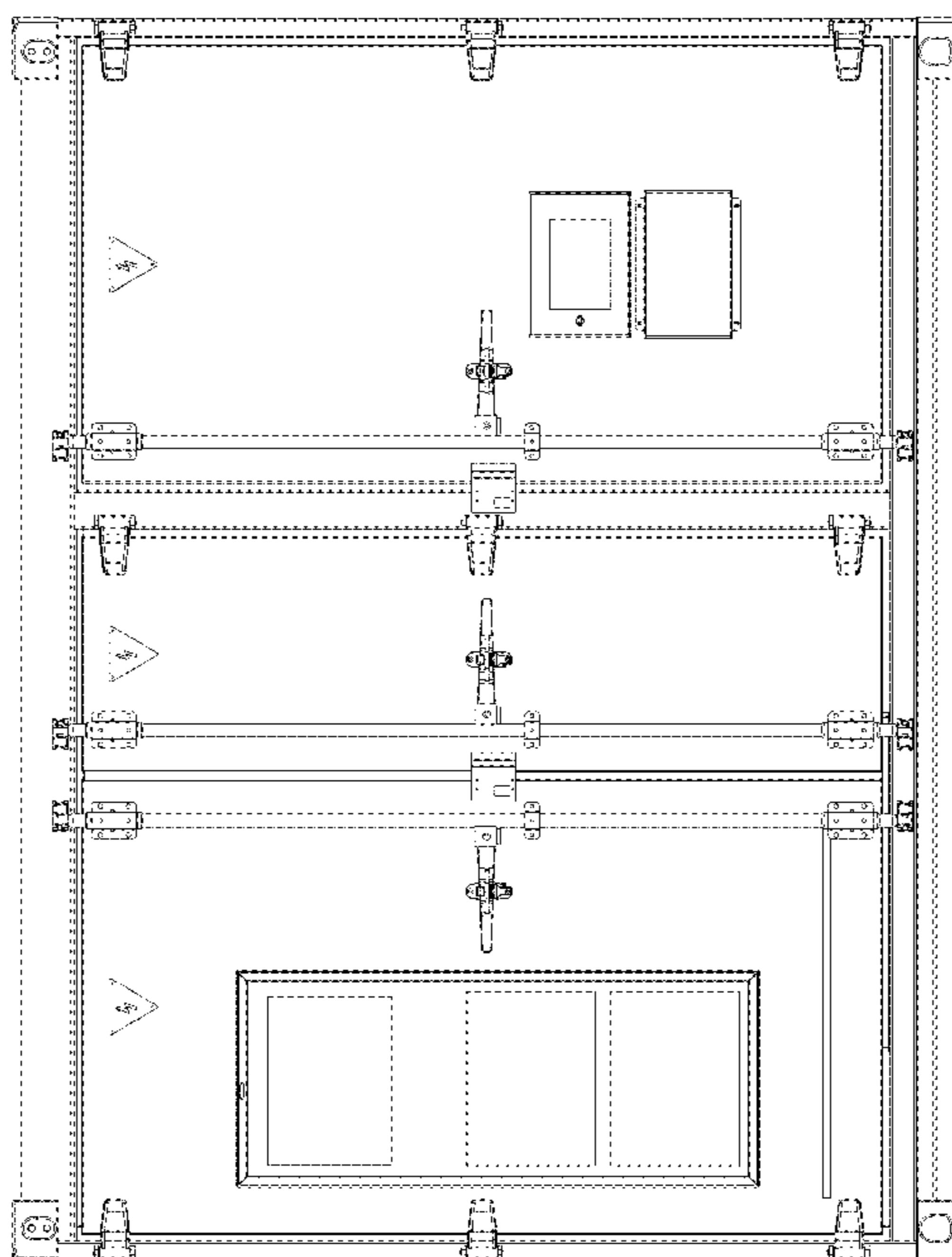
(57) **CLAIM**

The ornamental design for an energy storage box, as shown and described.

**DESCRIPTION**

FIG. 1 is a front view of an energy storage box according to the present application, showing our new design;  
FIG. 2 is a rear view thereof;  
FIG. 3 is a left view thereof;  
FIG. 4 is a right view thereof;  
FIG. 5 is a top view thereof;  
FIG. 6 is a bottom view thereof;  
FIG. 7 is a first perspective view thereof;  
FIG. 8 is a second perspective view thereof;  
FIG. 9 is an enlarged view of a portion of FIG. 2;  
FIG. 10 is an enlarged view of a portion of FIG. 3; and,  
FIG. 11 is an enlarged view of a portion of FIG. 7.

**1 Claim, 11 Drawing Sheets**



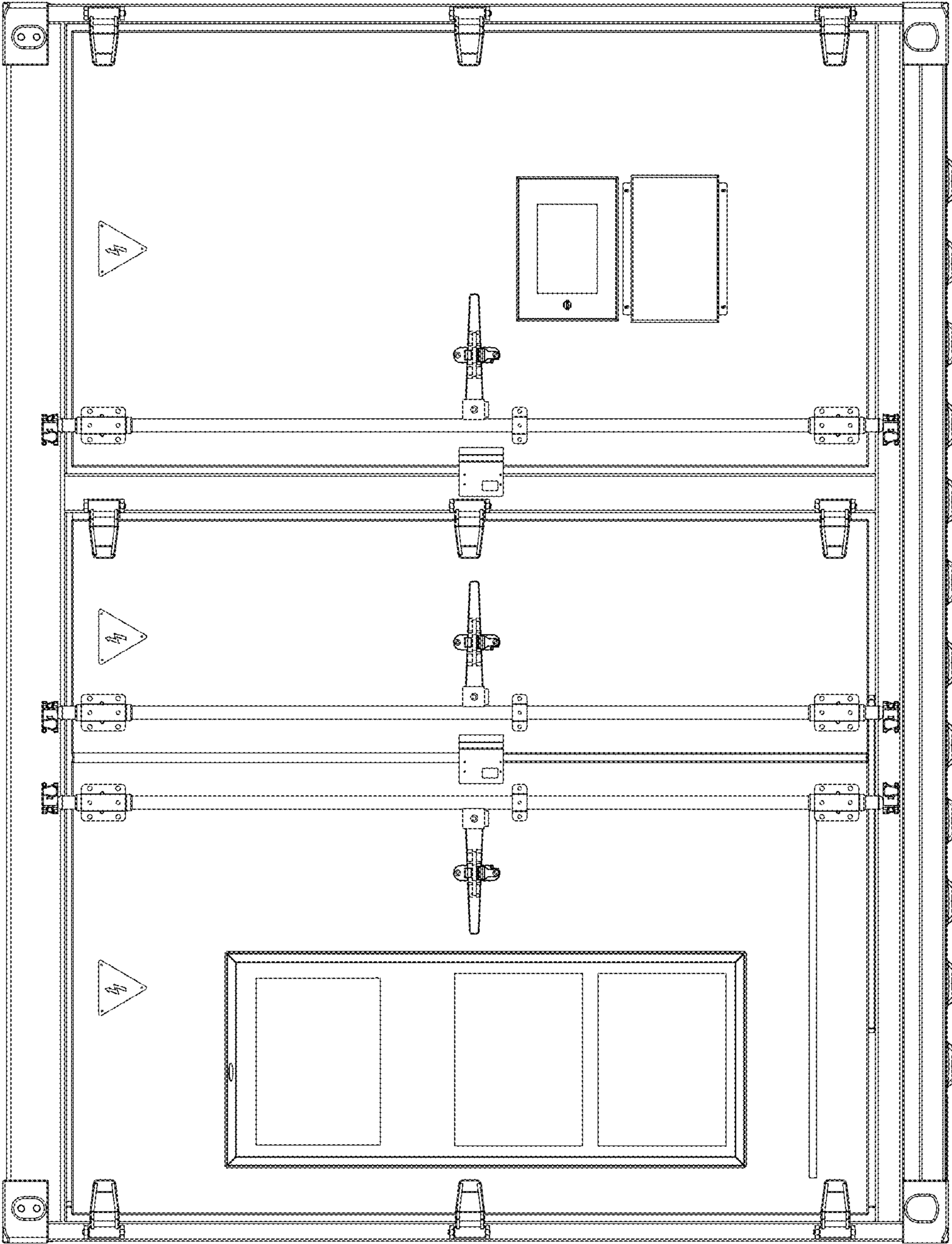


Fig. 1

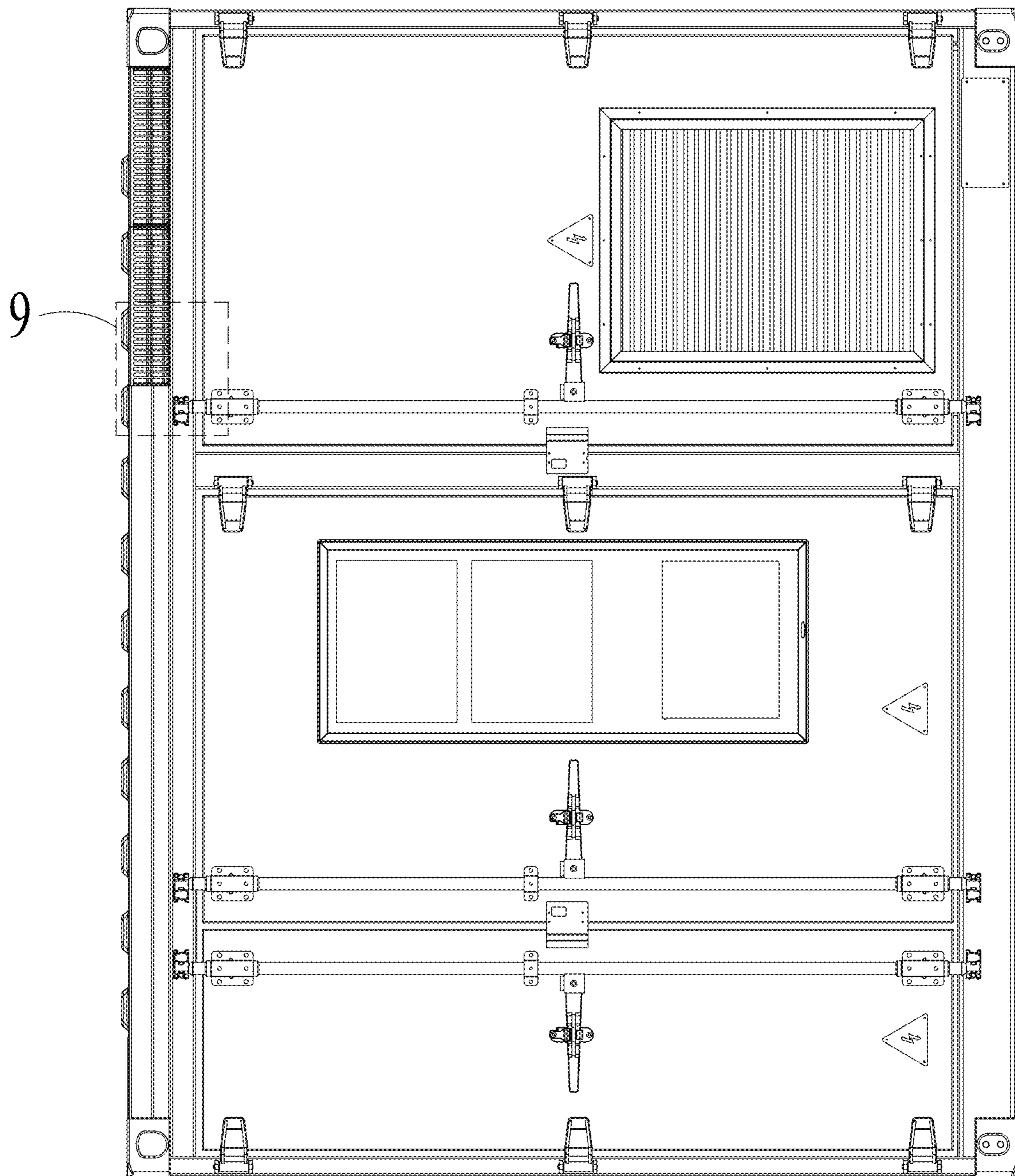


Fig. 2

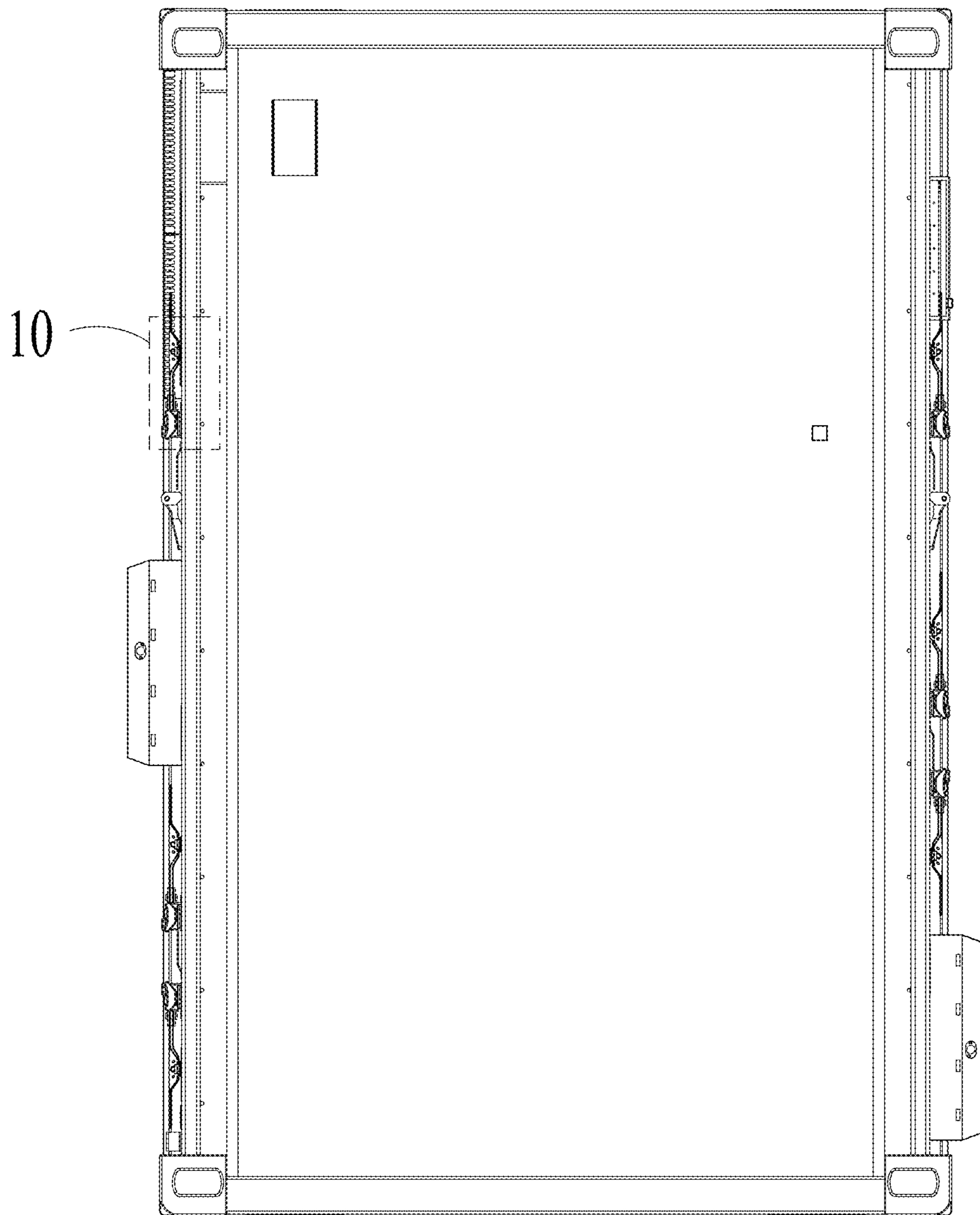


Fig. 3

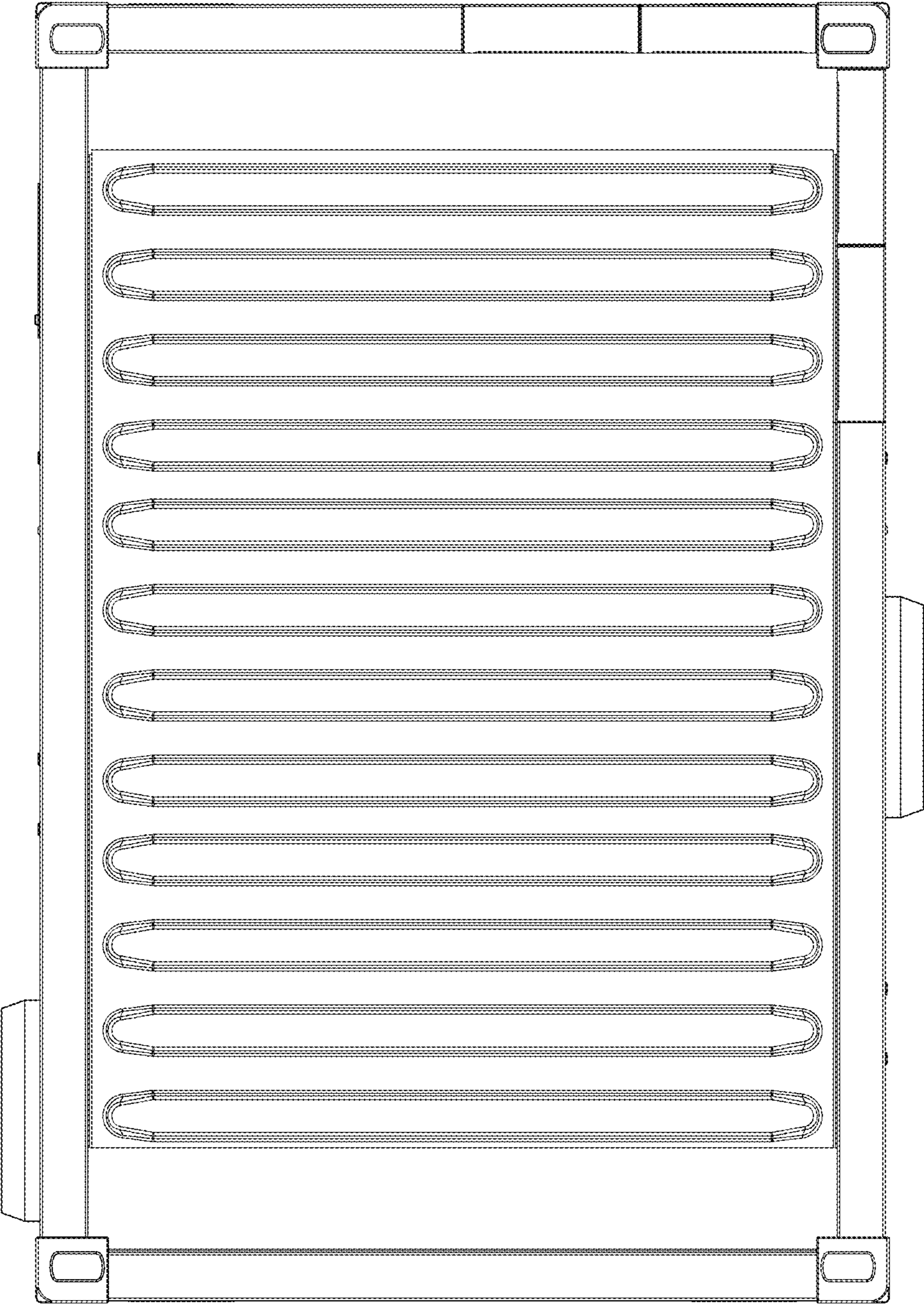


Fig. 4



Fig. 5



Fig. 6

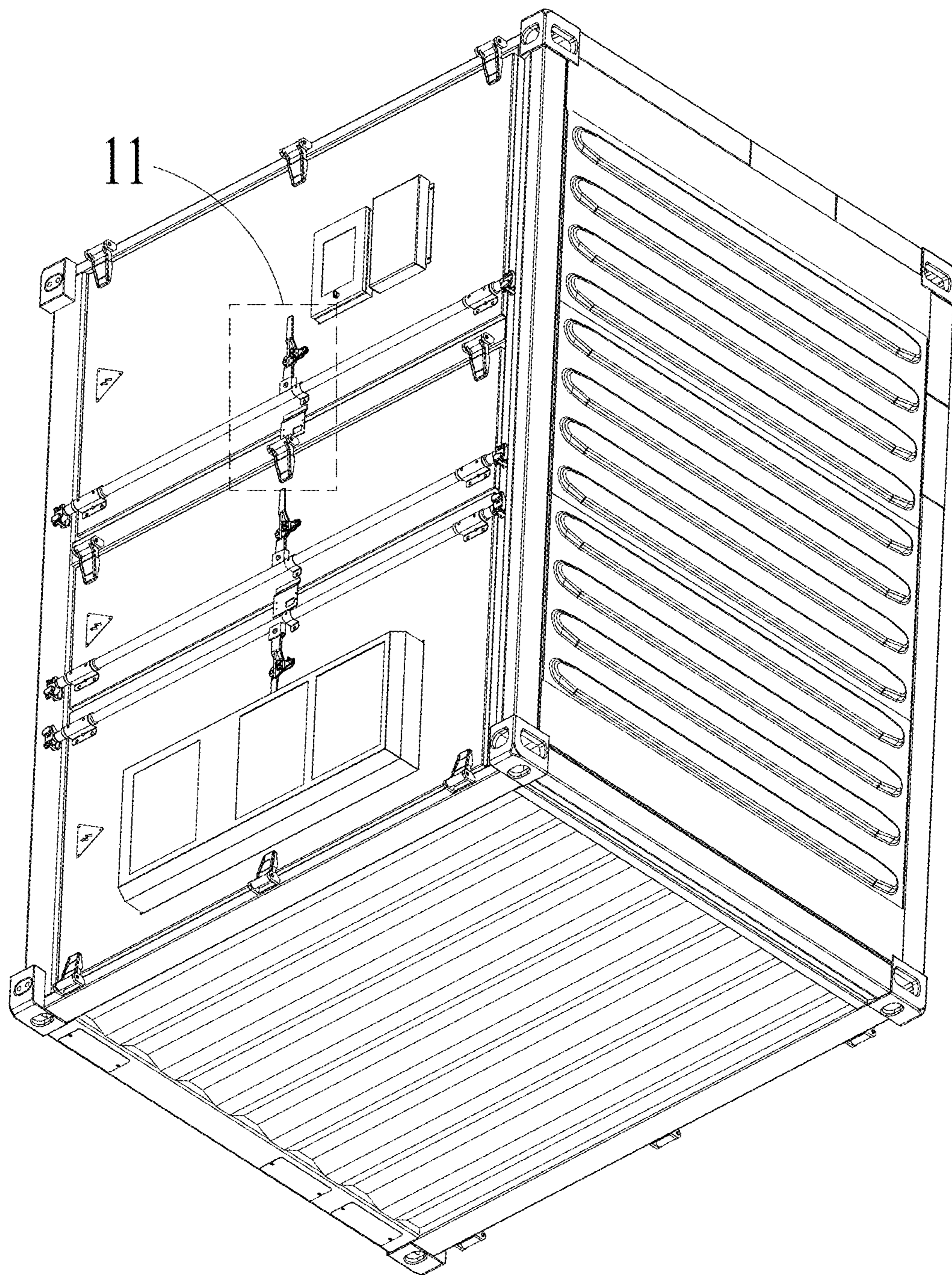


Fig. 7



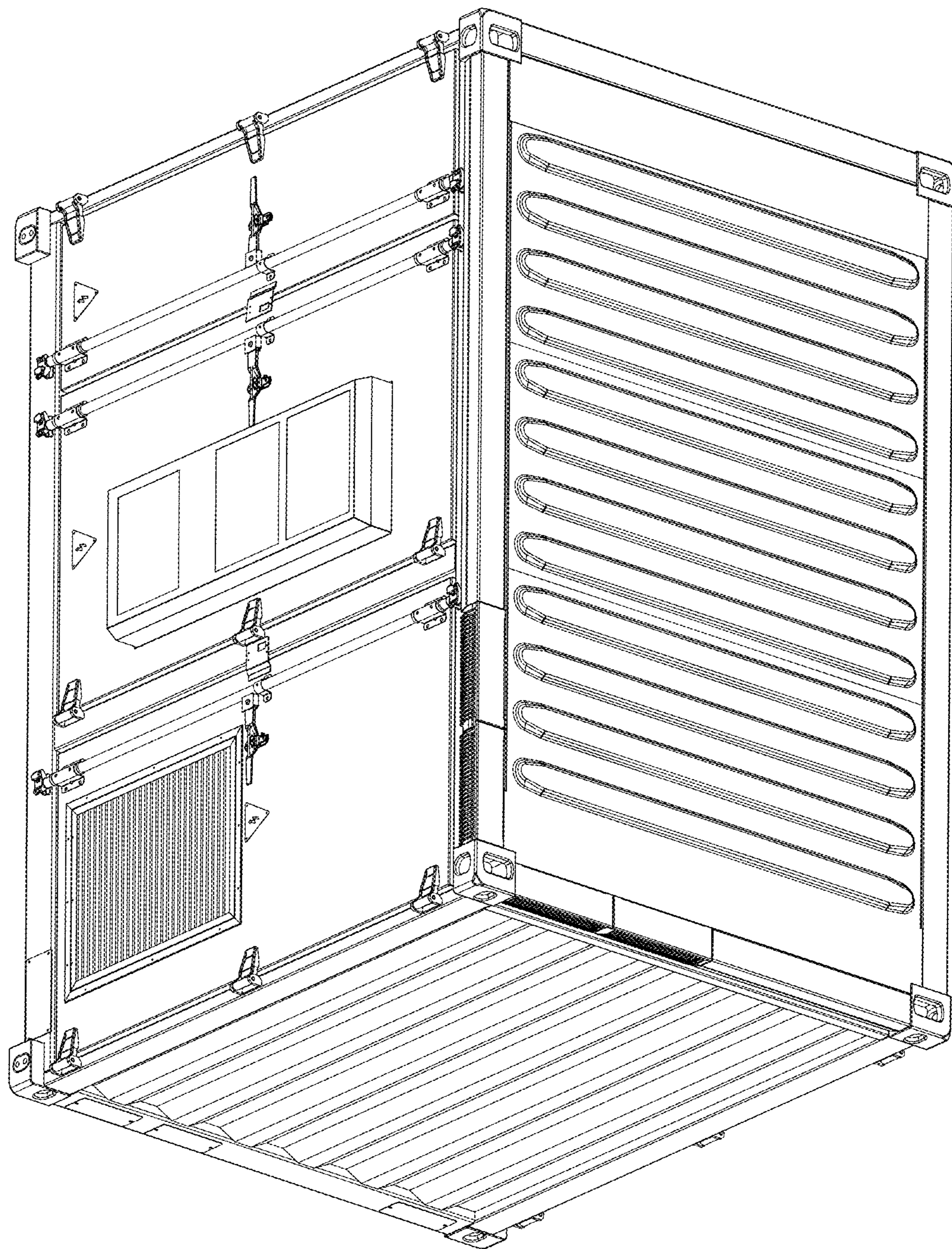


Fig. 8

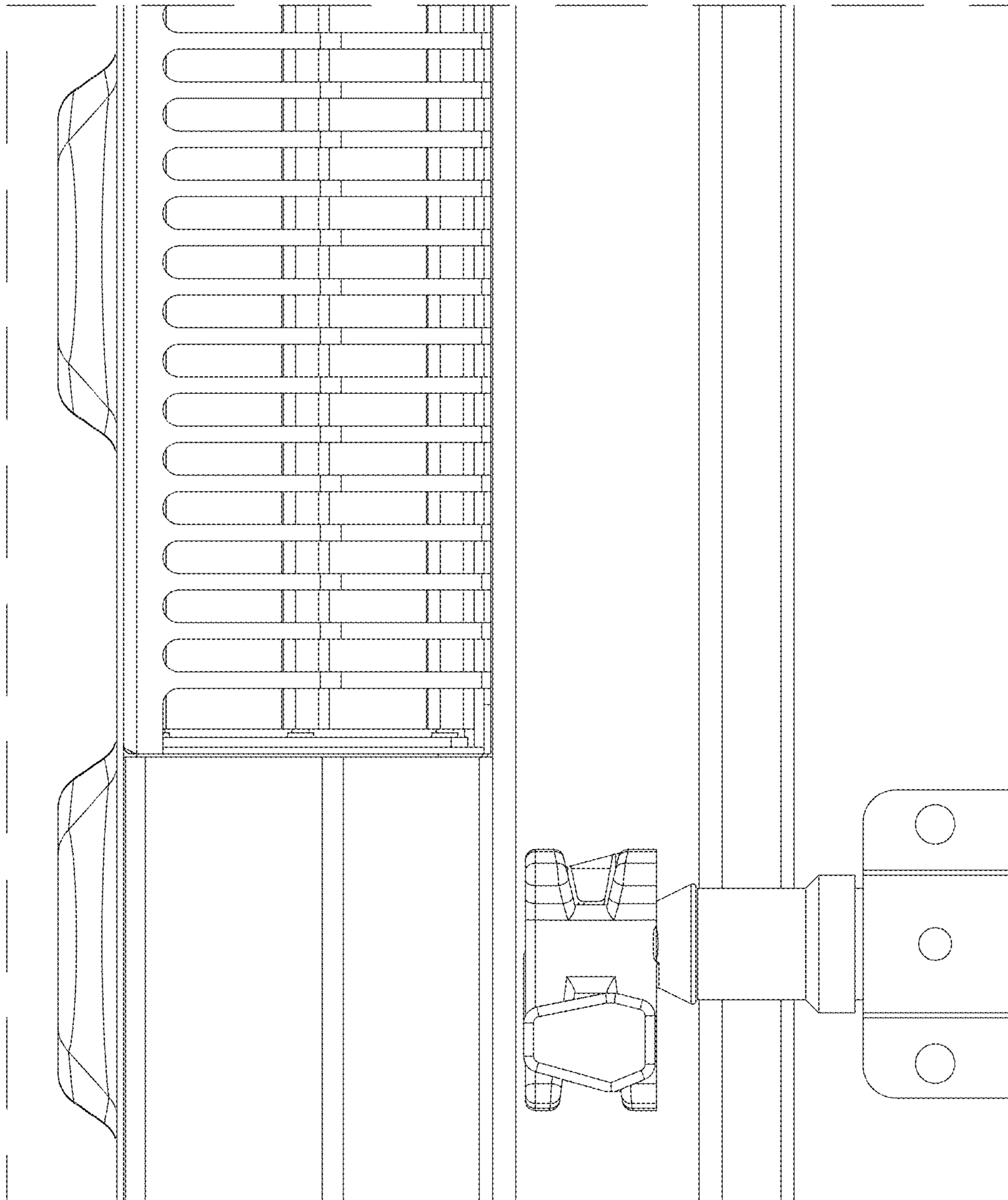


Fig. 9

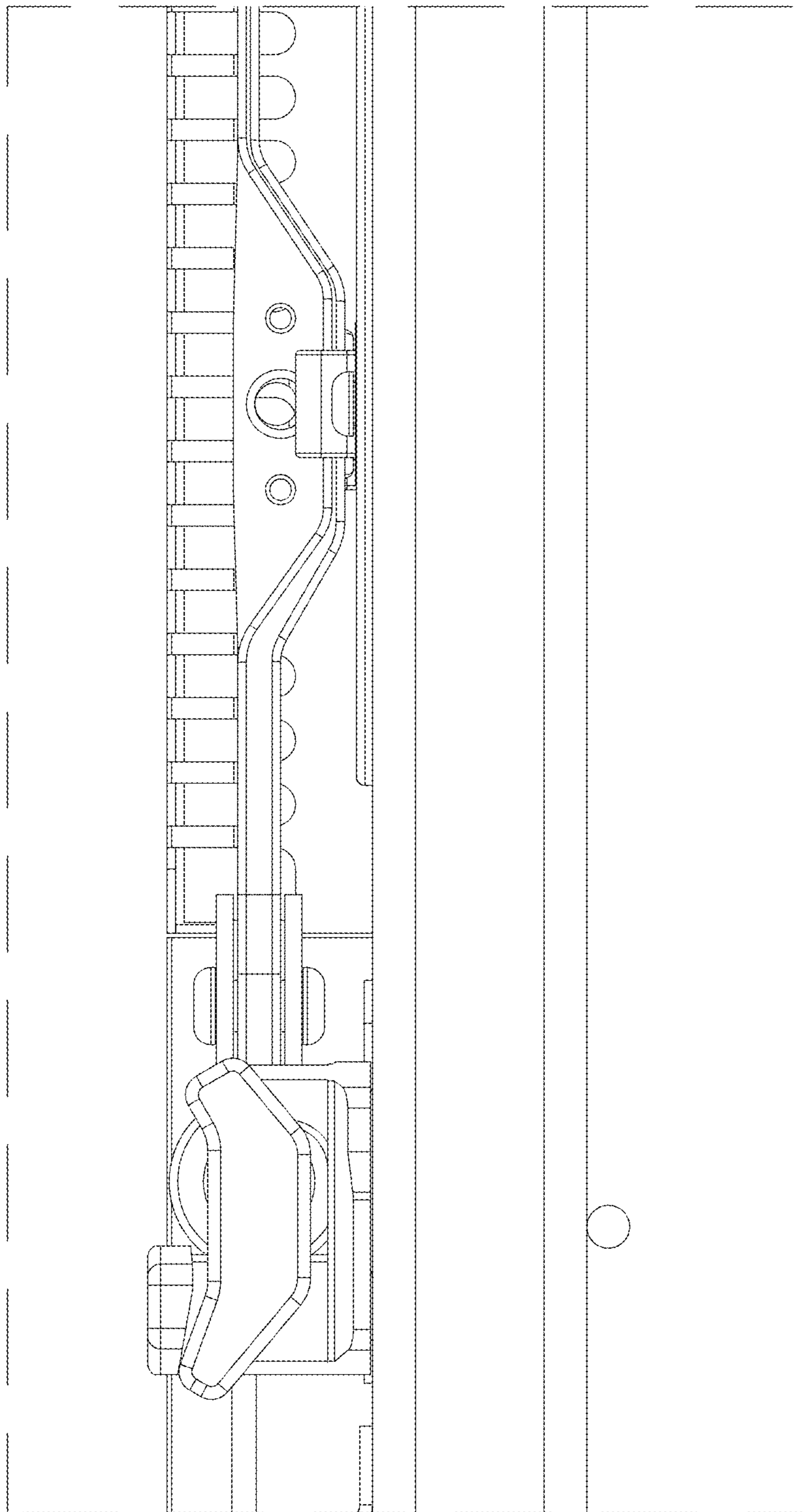


Fig. 10

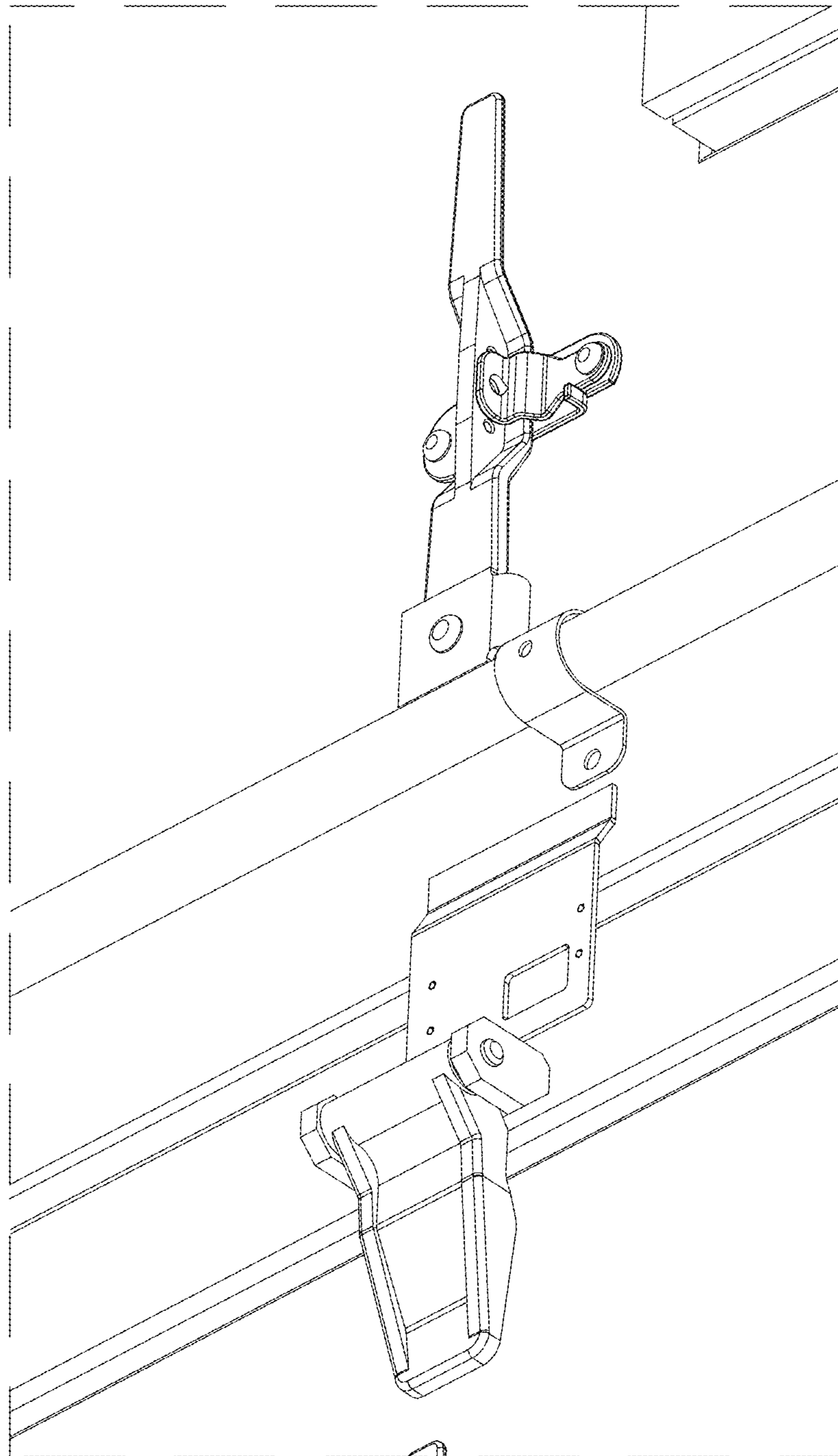


Fig. 11