



US00D902139S

(12) **United States Design Patent** (10) **Patent No.:** **US D902,139 S**
Ajoviita et al. (45) **Date of Patent:** **** Nov. 17, 2020**

(54) **TYRE STUD**
(71) Applicant: **NOKIAN TYRES PLC**, Nokia (FI)
(72) Inventors: **Tommi Ajoviita**, Kangasala (FI);
Mikko Liukkula, Viiala (FI); **Lauri Heikkinen**, Tampere (FI)
(73) Assignee: **NOKIAN TYRES PLC**, Nokia (FI)
(**) Term: **15 Years**
(21) Appl. No.: **29/698,669**
(22) Filed: **Jul. 18, 2019**

(30) **Foreign Application Priority Data**
Jan. 18, 2019 (EM) 006066502-0002
(51) **LOC (12) Cl.** **12-15**
(52) **U.S. Cl.**
USPC **D12/608**
(58) **Field of Classification Search**
USPC D12/604-608, 501, 544, 579
CPC ... B60C 27/08; B60C 27/086; B60C 27/0223;
B60C 11/1675; B60C 11/14
See application file for complete search history.

(56) **References Cited**
U.S. PATENT DOCUMENTS
D431,215 S 9/2000 Nyblom
D550,611 S * 9/2007 Liukkula D12/608
D551,614 S * 9/2007 Liukkula D12/608
D559,775 S 1/2008 Liukkula
D584,979 S * 1/2009 Pirhonen D12/608
D706,709 S * 6/2014 Matsumoto D12/608
D708,567 S * 7/2014 Matsumoto D12/608
D774,449 S 12/2016 Matsumoto
D775,586 S * 1/2017 Matsumoto D12/608
D790,448 S * 6/2017 Yoon D12/605
D790,449 S * 6/2017 Yoon D12/605
D792,841 S * 7/2017 Yoon D12/605

D800,053 S * 10/2017 Yoon D12/604
D811,322 S * 2/2018 Mori D12/608
D811,323 S * 2/2018 Mori D12/608
D814,396 S * 4/2018 Yasunaga D12/608
D814,397 S * 4/2018 Yasunaga D12/608
D814,398 S * 4/2018 Yasunaga D12/608
D815,025 S * 4/2018 Yasunaga D12/608
D816,600 S 5/2018 Matsumoto
D818,427 S * 5/2018 Mori D12/608
D818,428 S * 5/2018 Mori D12/608
D819,560 S * 6/2018 Mori D12/608
D820,779 S * 6/2018 Mori D12/608
D832,778 S 11/2018 Yasunaga
2012/0227880 A1 9/2012 Pons

(Continued)

OTHER PUBLICATIONS

U.S. Appl. No. 29/698,665, filed Jul. 18, 2019, Ajoviita et al.

Primary Examiner — Michelle E. Wilson
Assistant Examiner — Clese Moore, Jr.
(74) *Attorney, Agent, or Firm* — Nixon & Vanderhye PC

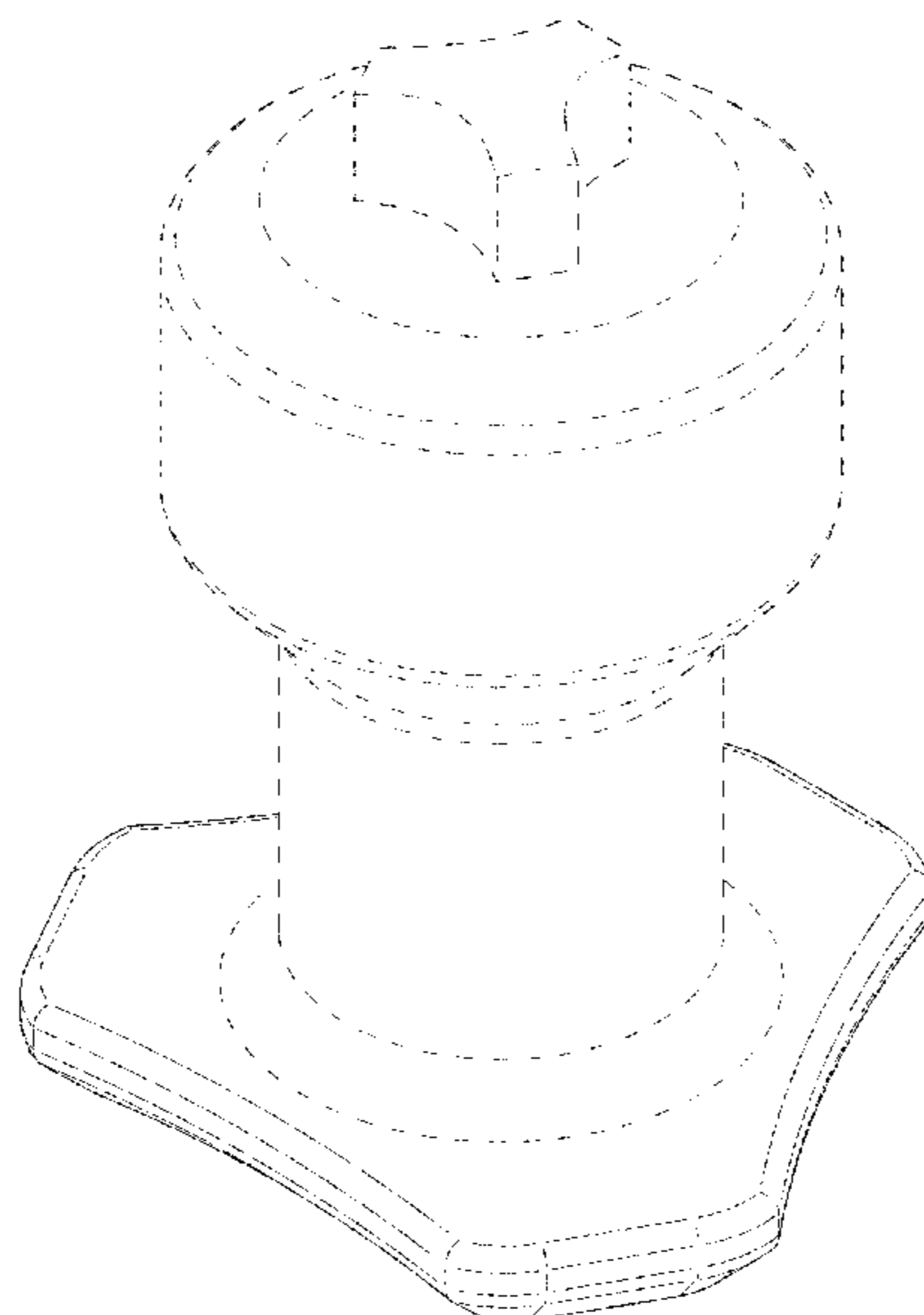
(57) **CLAIM**

The ornamental design for a tyre stud, as shown and described.

DESCRIPTION

FIG. 1 is a front perspective view of a tyre stud in accordance with our new design;
FIG. 2 is a front view thereof;
FIG. 3 is a rear view thereof;
FIG. 4 is a top view thereof;
FIG. 5 is a bottom view thereof;
FIG. 6 is a right side view thereof;
FIG. 7 is a left side view thereof; and,
FIG. 8 is a bottom perspective view thereof.
The broken lines depict portions of the tyre stud that form no part of the claimed design.

1 Claim, 8 Drawing Sheets



(56)

References Cited

U.S. PATENT DOCUMENTS

2013/0000807 A1* 1/2013 Pons B60C 11/1643
152/210

* cited by examiner

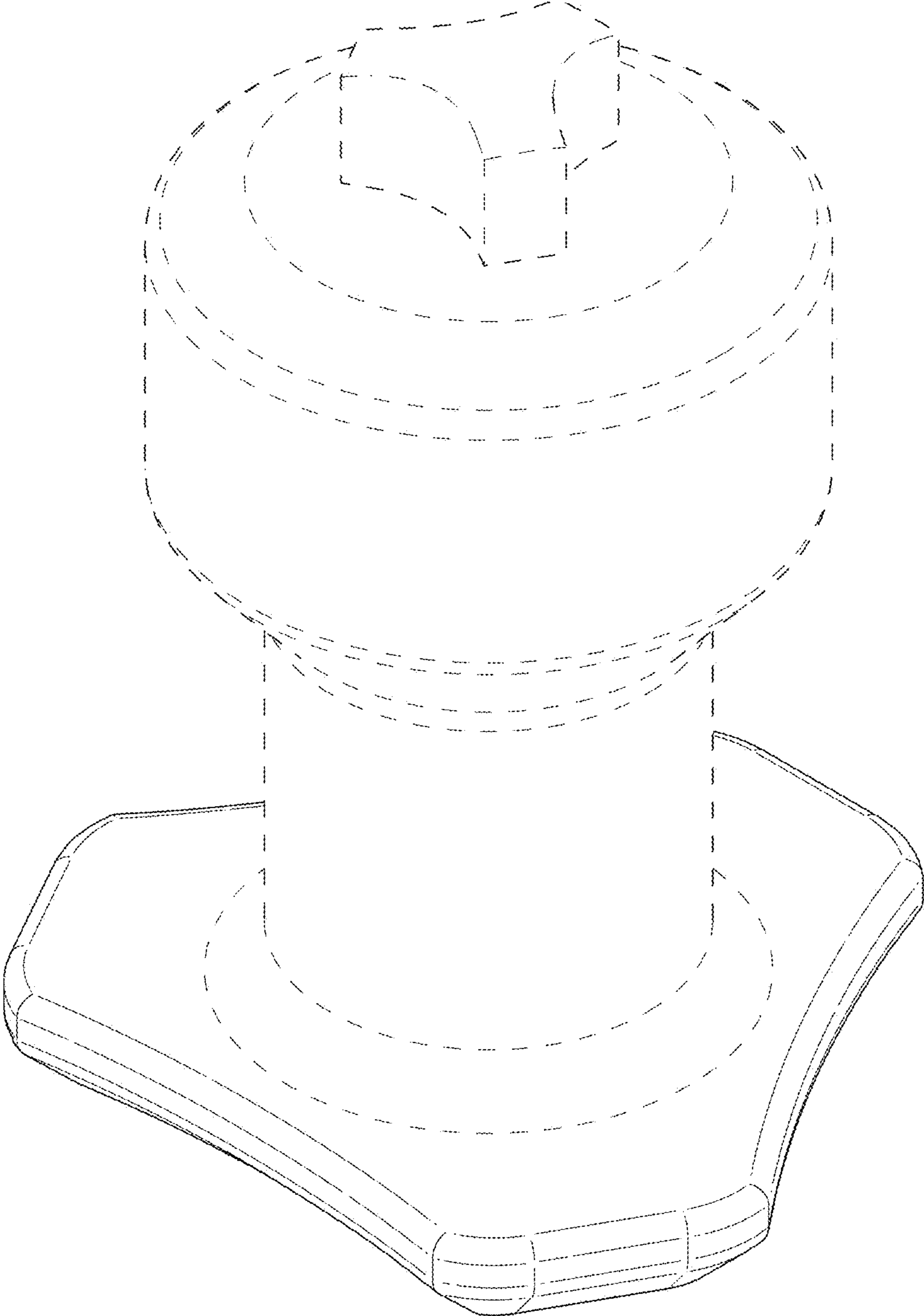


FIG. 1

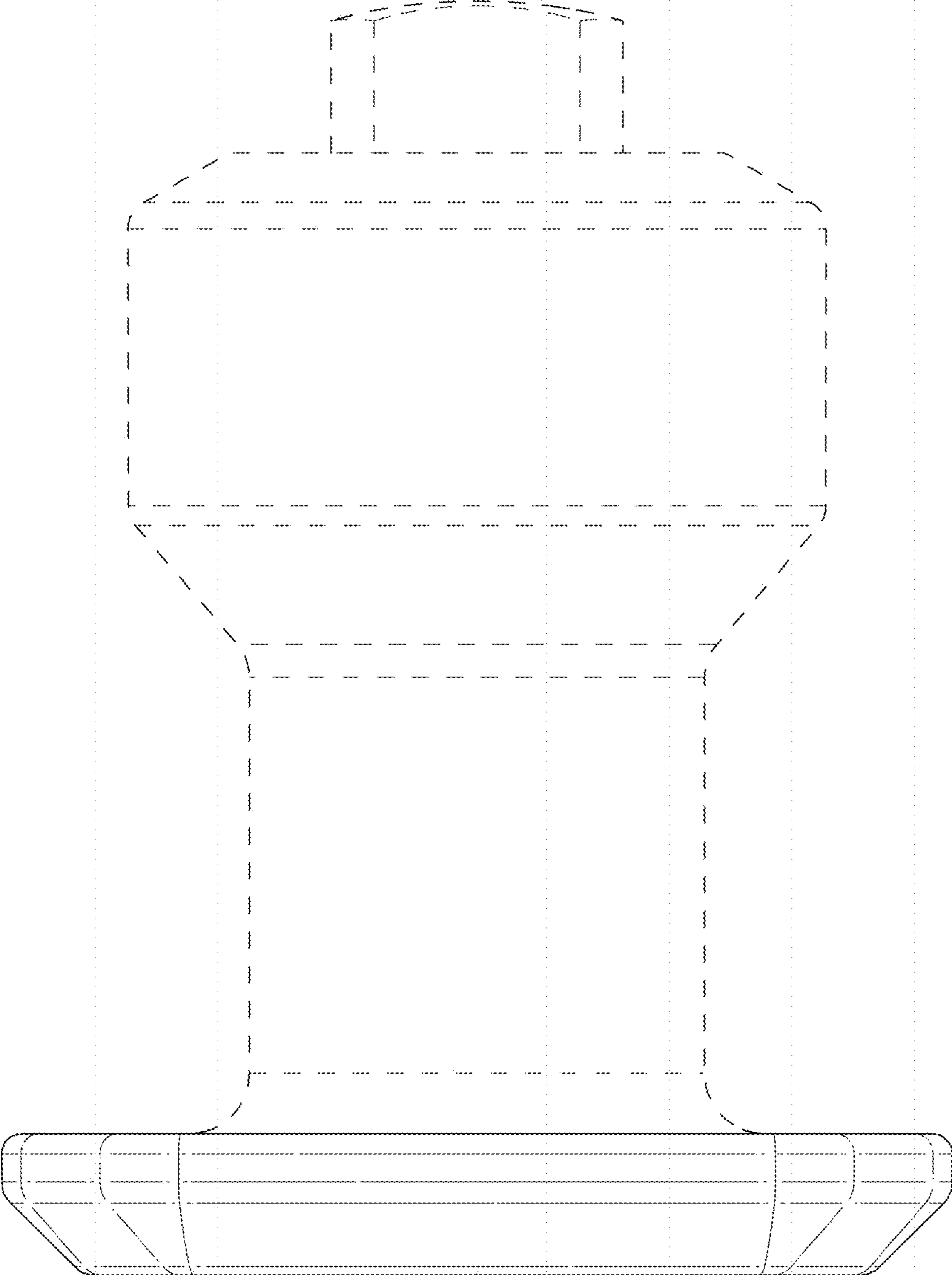


FIG. 2

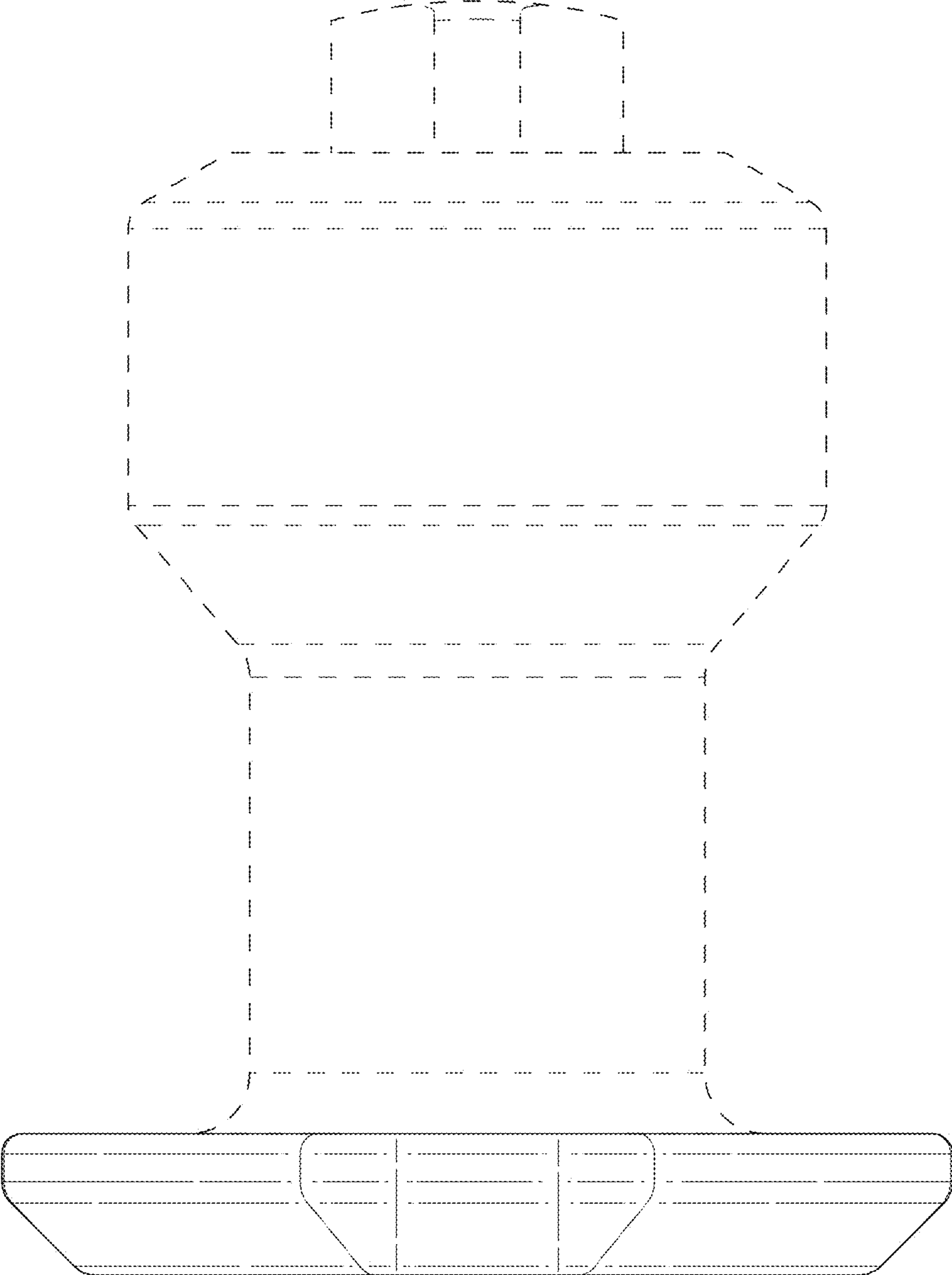


FIG. 3

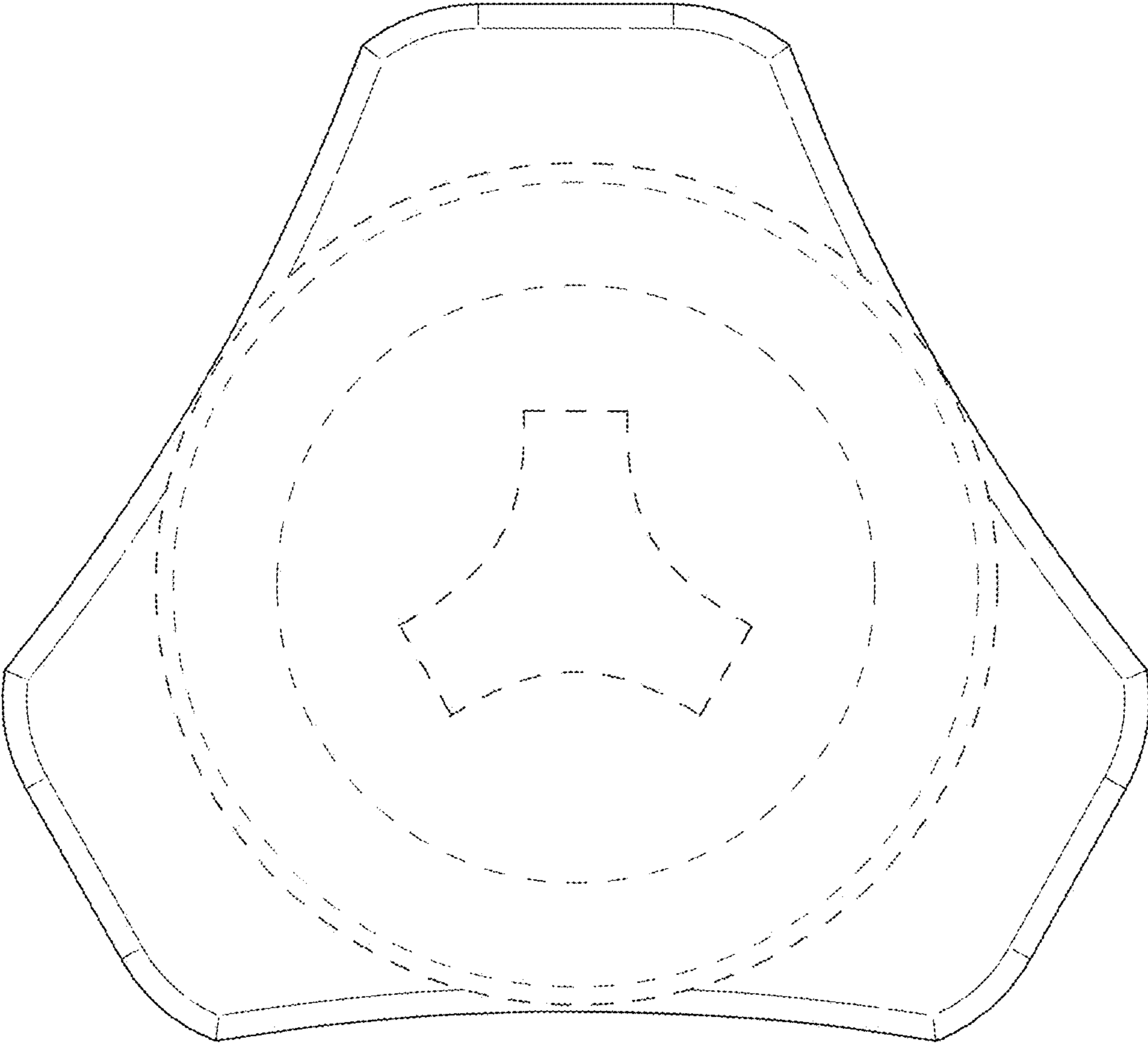


FIG. 4

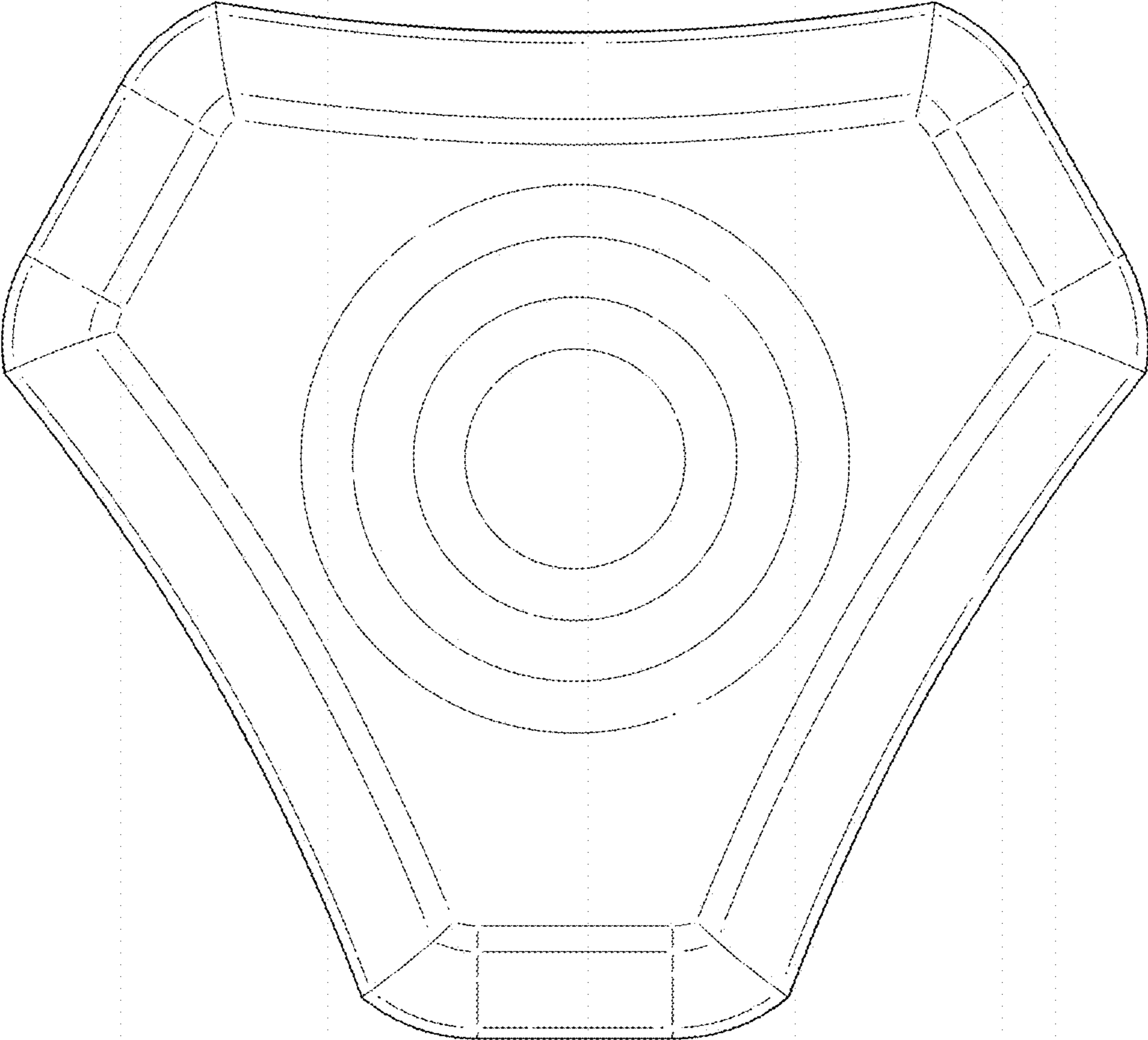


FIG. 5

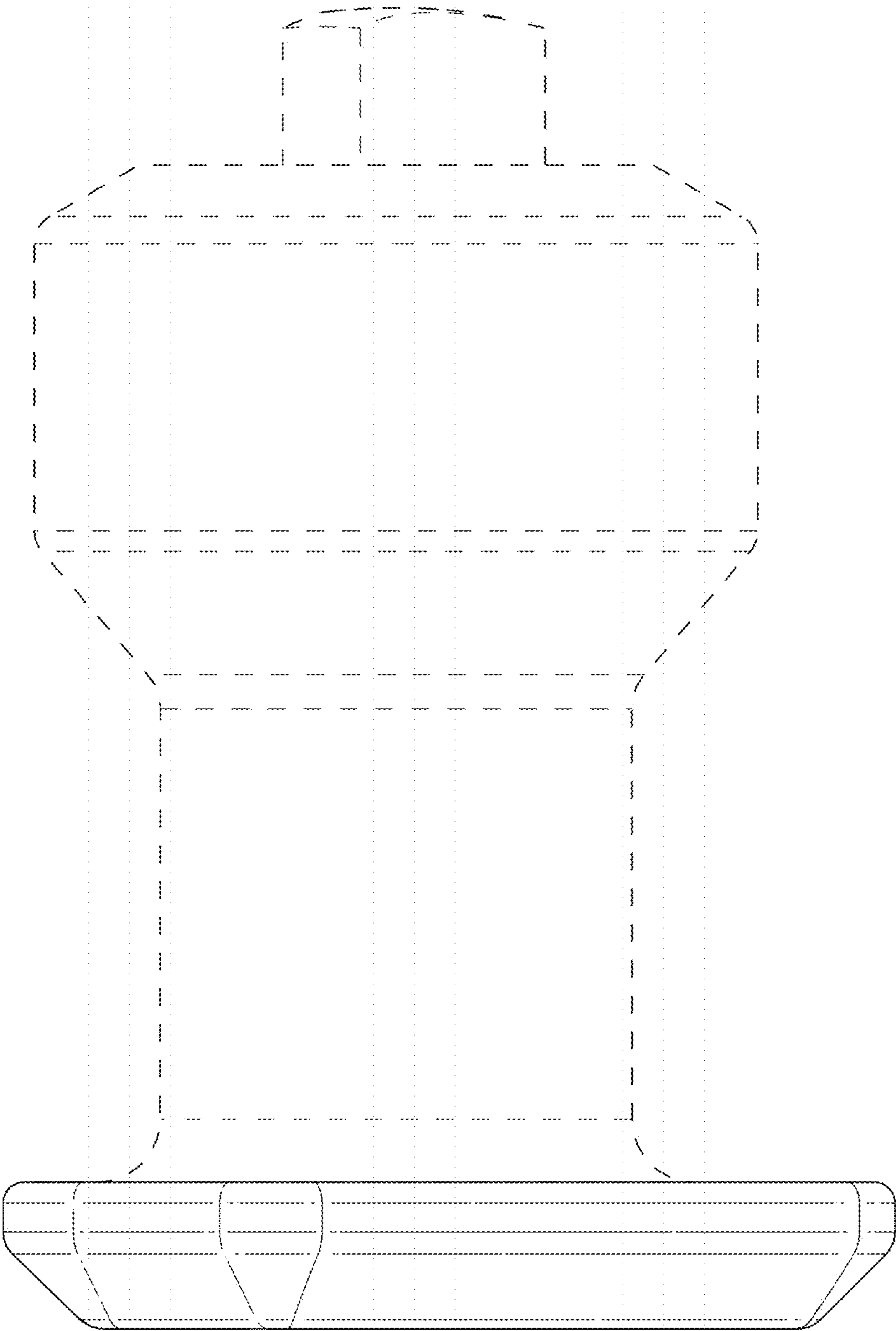


FIG. 6

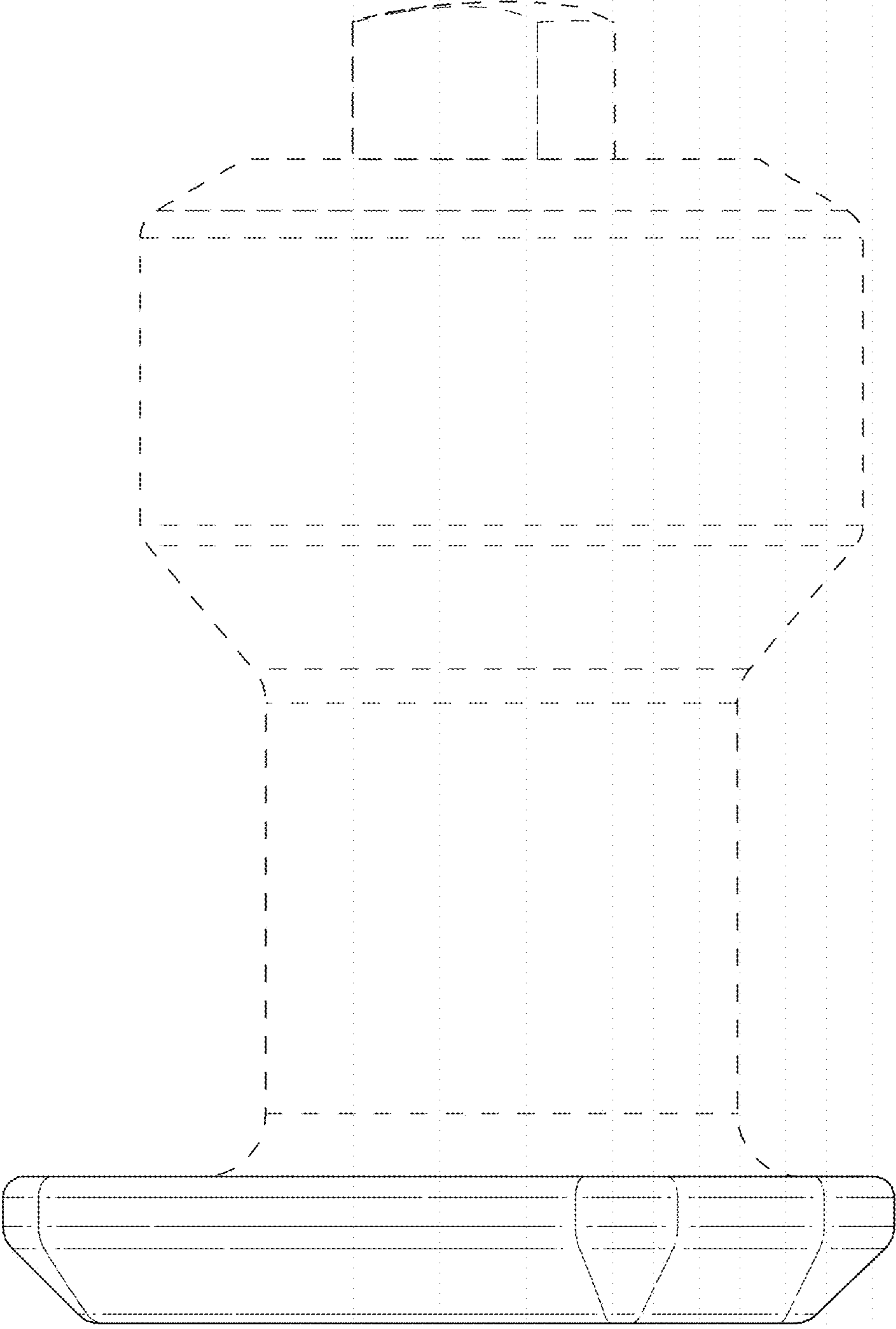


FIG. 7

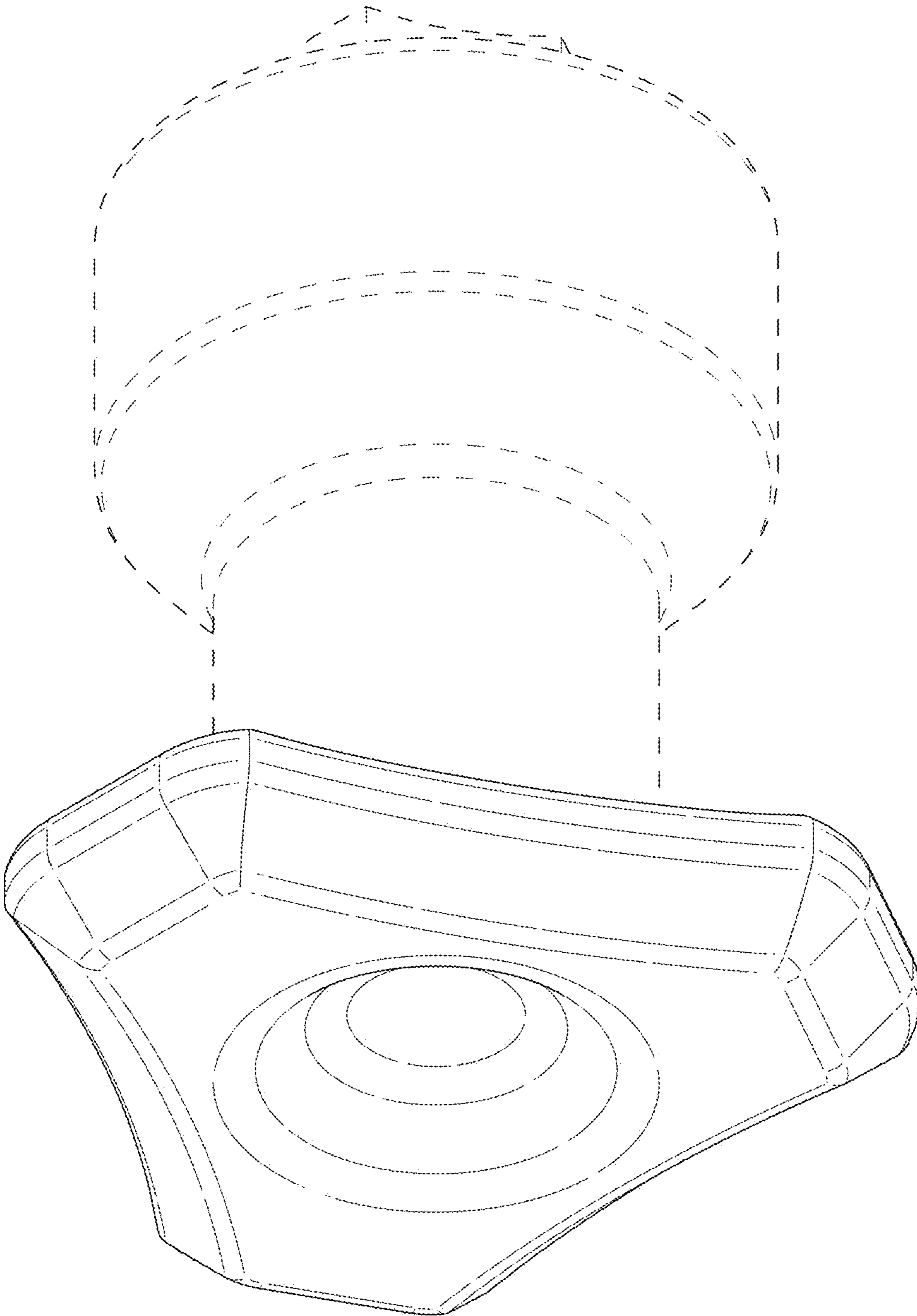


FIG. 8