



US00D902135S

(12) **United States Design Patent**
Sadananda et al.

(10) **Patent No.:** **US D902,135 S**

(45) **Date of Patent:** **** Nov. 17, 2020**

(54) **TIRE**

(71) Applicant: **The Goodyear Tire & Rubber Company, Akron, OH (US)**

(72) Inventors: **Suraj Sadananda, Colmar-Berg (LU); Franck Reygrobellet, Luxembourg (LU); Christophe Henri Joseph Schyns, Rossart (BE); Lionel Jean-Marie Bortolet, Gorcy (FR); Rodrigo Andres Rengifo Hurtado, Mamer (LU); Armand Rene Gabriel Leconte, Insenborn (LU); Alexander Lachno, Newel (DE)**

(73) Assignee: **The Goodyear Tire & Rubber Company, Akron, OH (US)**

(**) Term: **15 Years**

(21) Appl. No.: **29/692,592**

(22) Filed: **May 28, 2019**

(51) **LOC (12) Cl.** **12-15**

(52) **U.S. Cl.**
USPC **D12/602**

(58) **Field of Classification Search**
USPC D12/579, 581, 582, 583, 584, 596, 597, D12/600, 601, 602, 603
CPC .. B60C 11/0306; B60C 11/0309; B60C 11/04
See application file for complete search history.

(56) **References Cited**

U.S. PATENT DOCUMENTS

D283,996 S	5/1986	Kuramochi et al.	D12/147
D311,887 S *	11/1990	Adam	D12/602
D314,363 S *	2/1991	Adam	D12/602
D326,632 S	6/1992	Tsuda et al.	D12/147
D331,735 S	12/1992	Maxwell	D12/147

D334,370 S *	3/1993	White	D12/597
D335,112 S *	4/1993	Lurois	D12/602
D340,899 S	11/1993	Kobayashi	D12/151
D342,224 S	12/1993	Graas et al.	D12/147
D444,425 S	7/2001	Maxwell	D12/146
D445,374 S *	7/2001	Allison	D12/602
D524,238 S	7/2006	Shondel	D12/532
D551,612 S	9/2007	Maxwell et al.	D12/532

(Continued)

Primary Examiner — Robert M. Spear

(74) *Attorney, Agent, or Firm* — Robert N. Lipsik

(57) **CLAIM**

The ornamental Design for a tire, as shown and described.

DESCRIPTION

FIG. 1 is a perspective view of a tire showing our new design, it being understood that the pattern repeats uniformly throughout the circumference of the tread;

FIG. 2 is a front elevational view thereof;

FIG. 3 is a right side elevational view thereof; the left side elevational view being identical thereto;

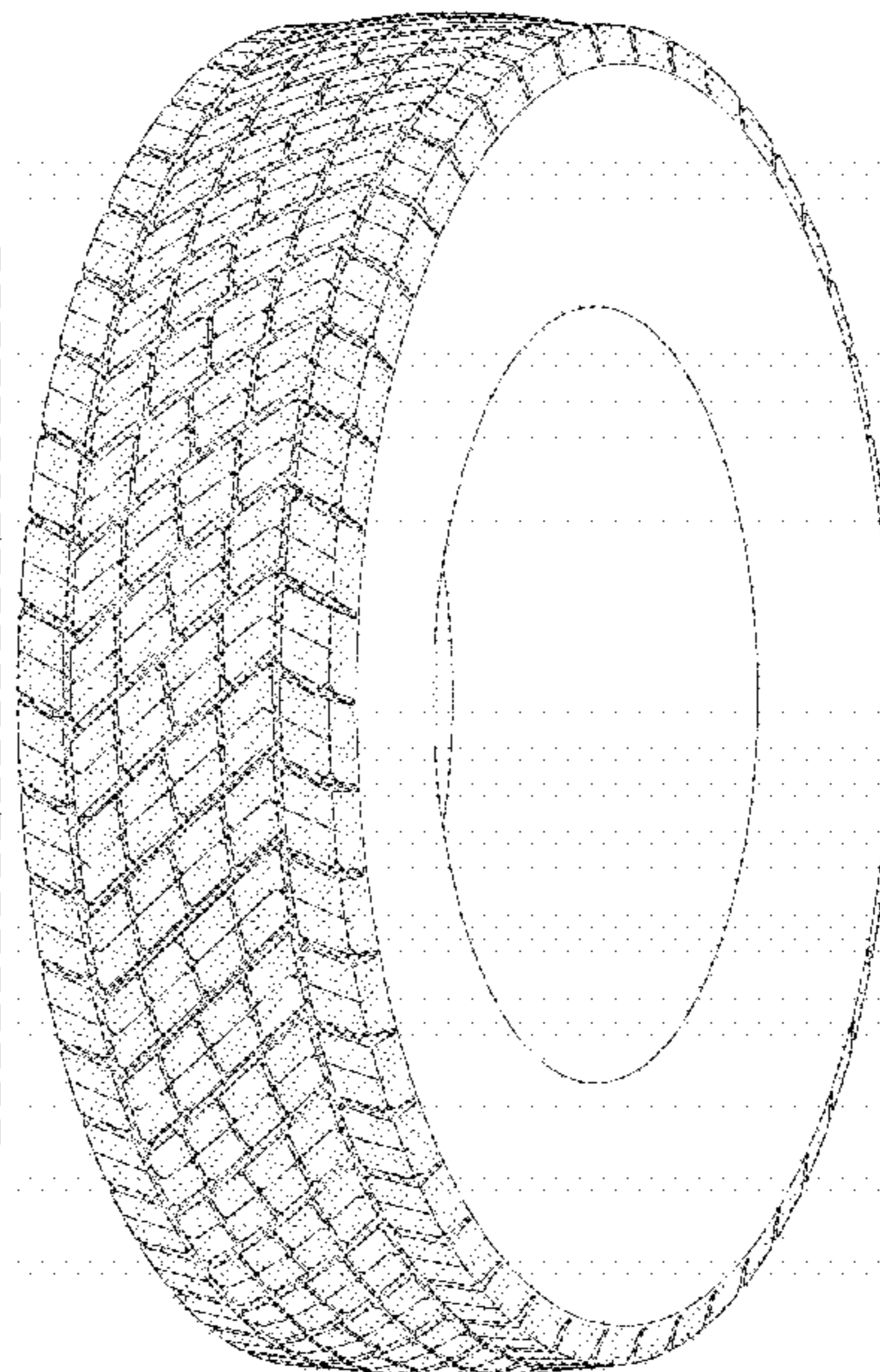
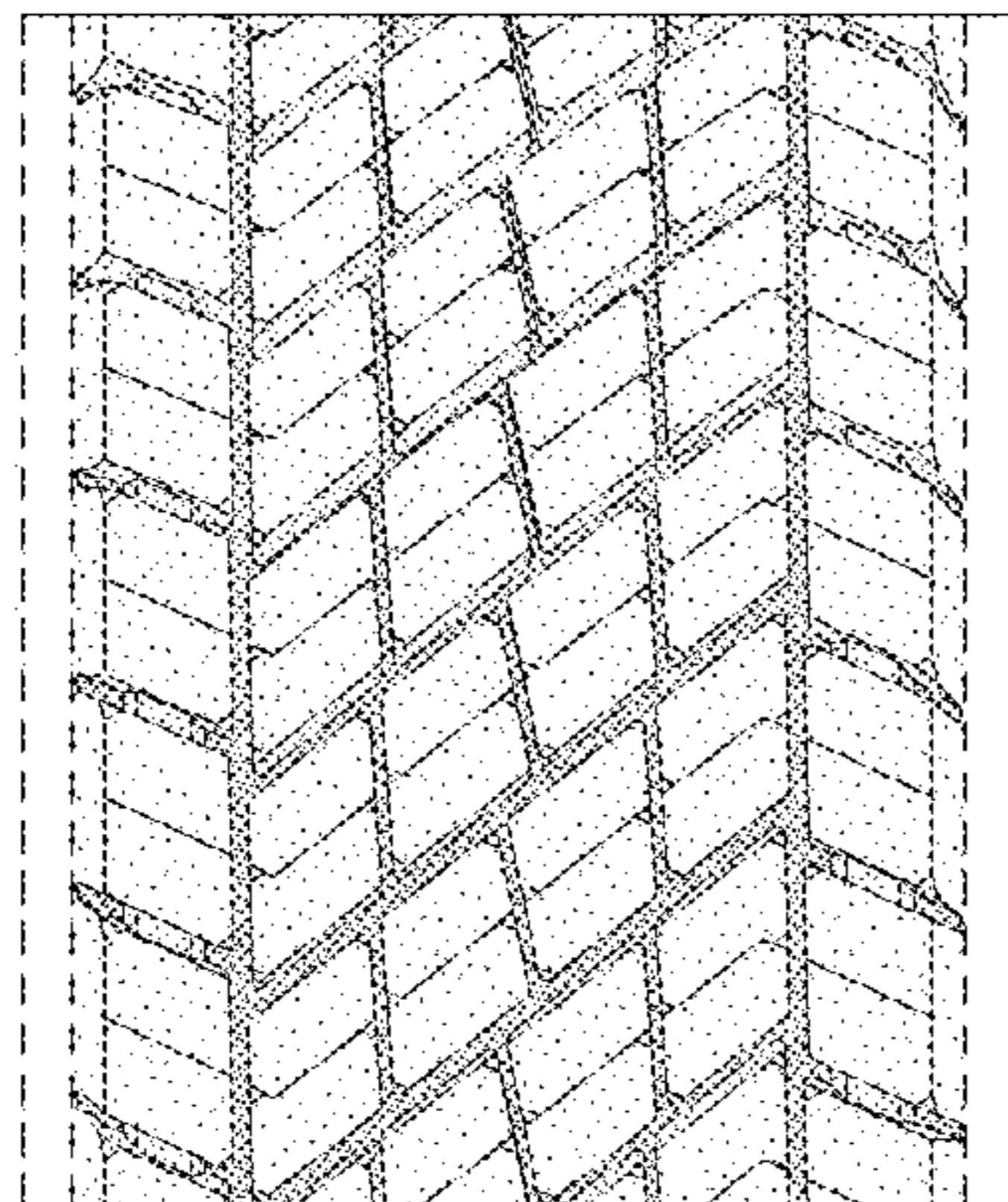
FIG. 4 is an enlarged fragmentary front elevational view thereof;

FIG. 5 is a perspective view of a second embodiment of a tire showing our new design, it being understood that the interior of the tire forms no part of the claim, that the pattern repeats uniformly throughout the circumference of the tread and that the opposite side view is identical thereto; and,

FIG. 6 is a front elevational view of a second embodiment, it being understood that an enlarged fragmentary view thereof would be substantially identical to that shown in FIG. 4, with the exception of the inclusion of the sidewall in the claim.

In the drawings, the broken lines immediately adjacent to the outer edges of the tire shoulder represent boundaries of the claim, and the broken lines depict environmental subject matter only and form no part of the claimed design.

1 Claim, 6 Drawing Sheets



(56)

References Cited

U.S. PATENT DOCUMENTS

D559,768 S	1/2008	Oh	D12/530
D571,283 S	6/2008	Neidert et al.	D12/524
D599,281 S	9/2009	Scheuren	D12/553
D601,079 S	9/2009	Hughes et al.	D12/521
D601,485 S	10/2009	Hughes et al.	D12/521
D614,121 S	4/2010	Janesh et al.	D12/597
D627,707 S	11/2010	Le et al.	D12/566
D627,710 S	11/2010	Rodicq et al.	D12/583
D627,713 S	11/2010	Le et al.	D12/600
D637,142 S	5/2011	Nicolas et al.	D12/579
D641,304 S	7/2011	Scheuren et al.	D12/530
D645,810 S	9/2011	Le et al.	D12/600
D651,162 S	12/2011	Nakano	D12/528
D748,051 S *	1/2016	Odakura	D12/602
D754,593 S *	4/2016	Wang	D12/602
D779,420 S	2/2017	Krier et al.	D12/601
D779,422 S	2/2017	Bortolet et al.	D12/602
D782,404 S	3/2017	Dixon et al.	D12/602
D823,780 S	7/2018	Van Miegroet et al.	D12/536
D886,726 S *	6/2020	Kristen	D12/603

* cited by examiner

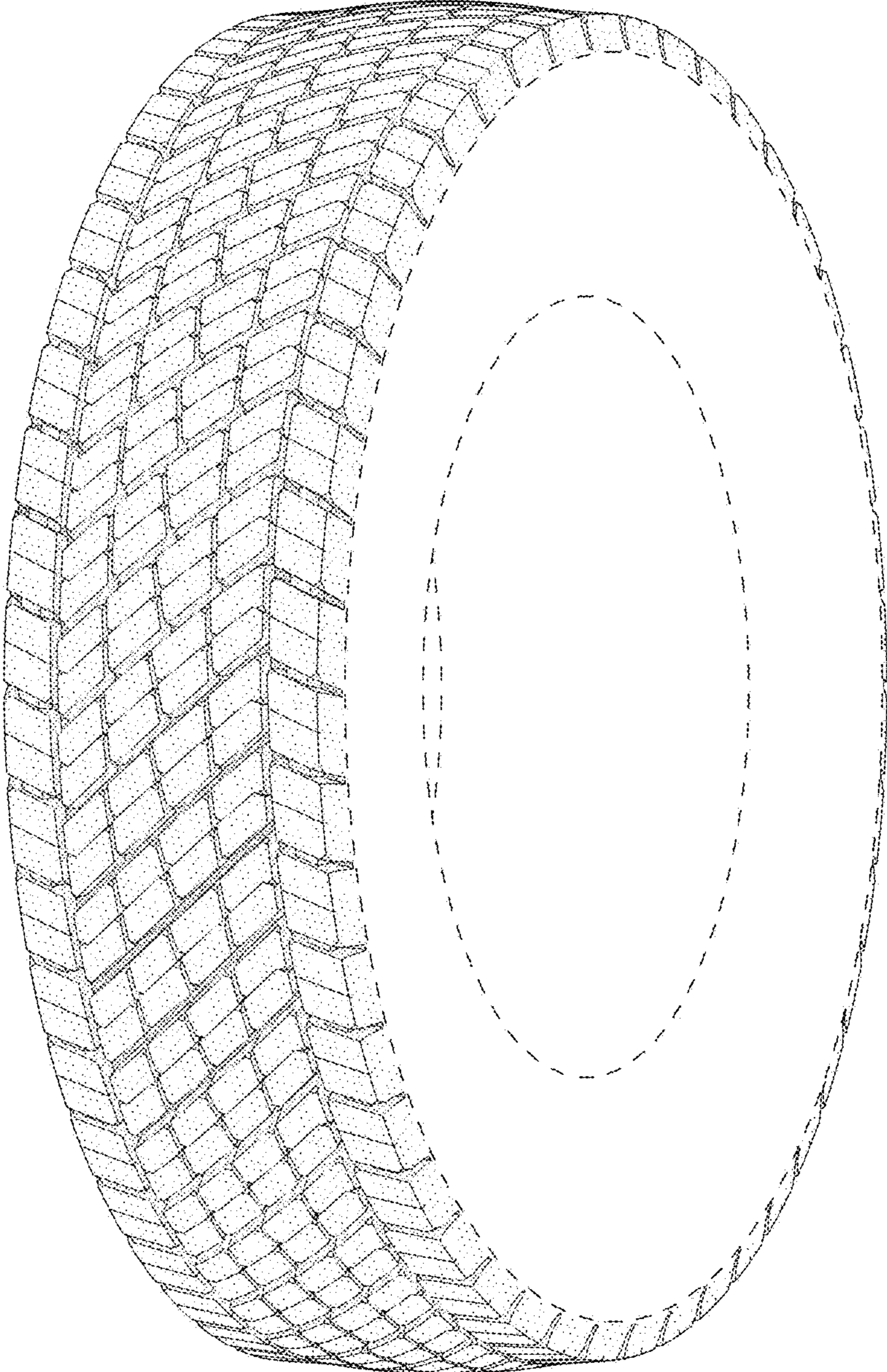


FIG - 1

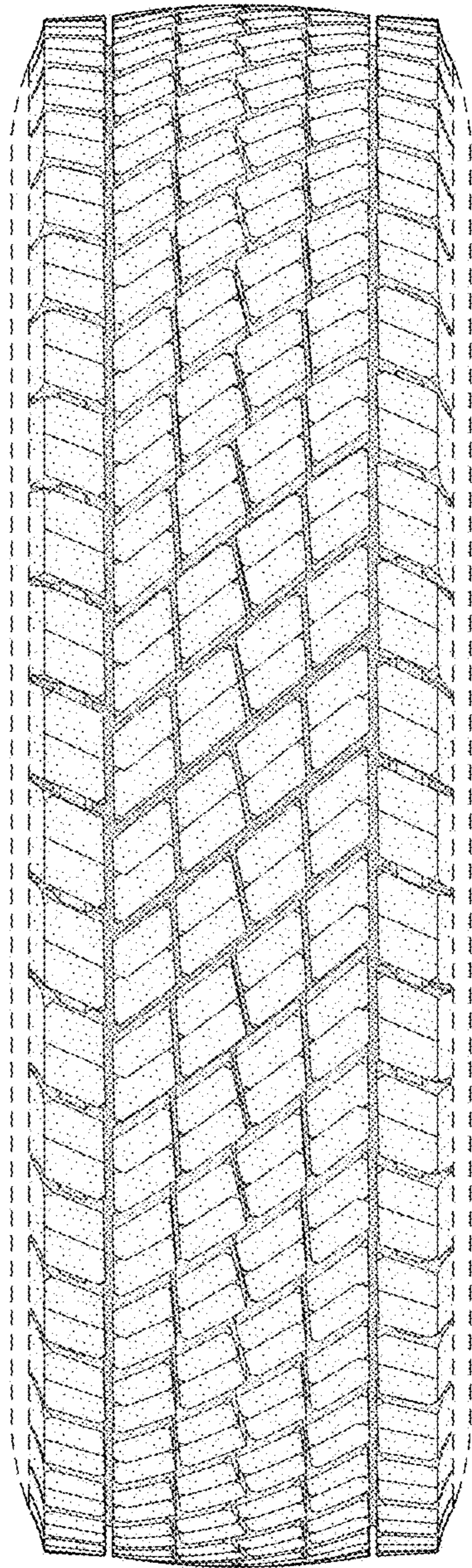


FIG - 2

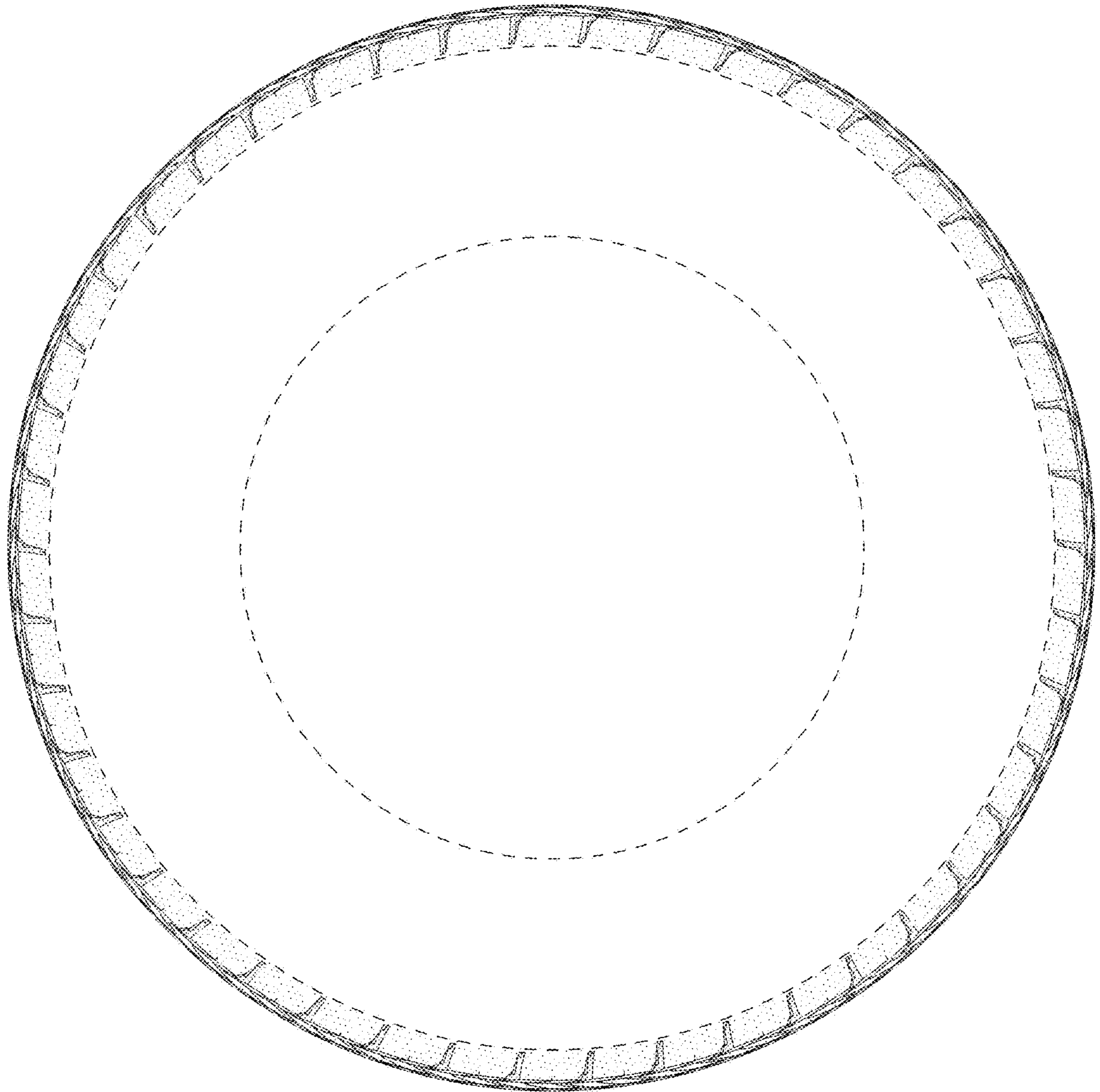


FIG - 3

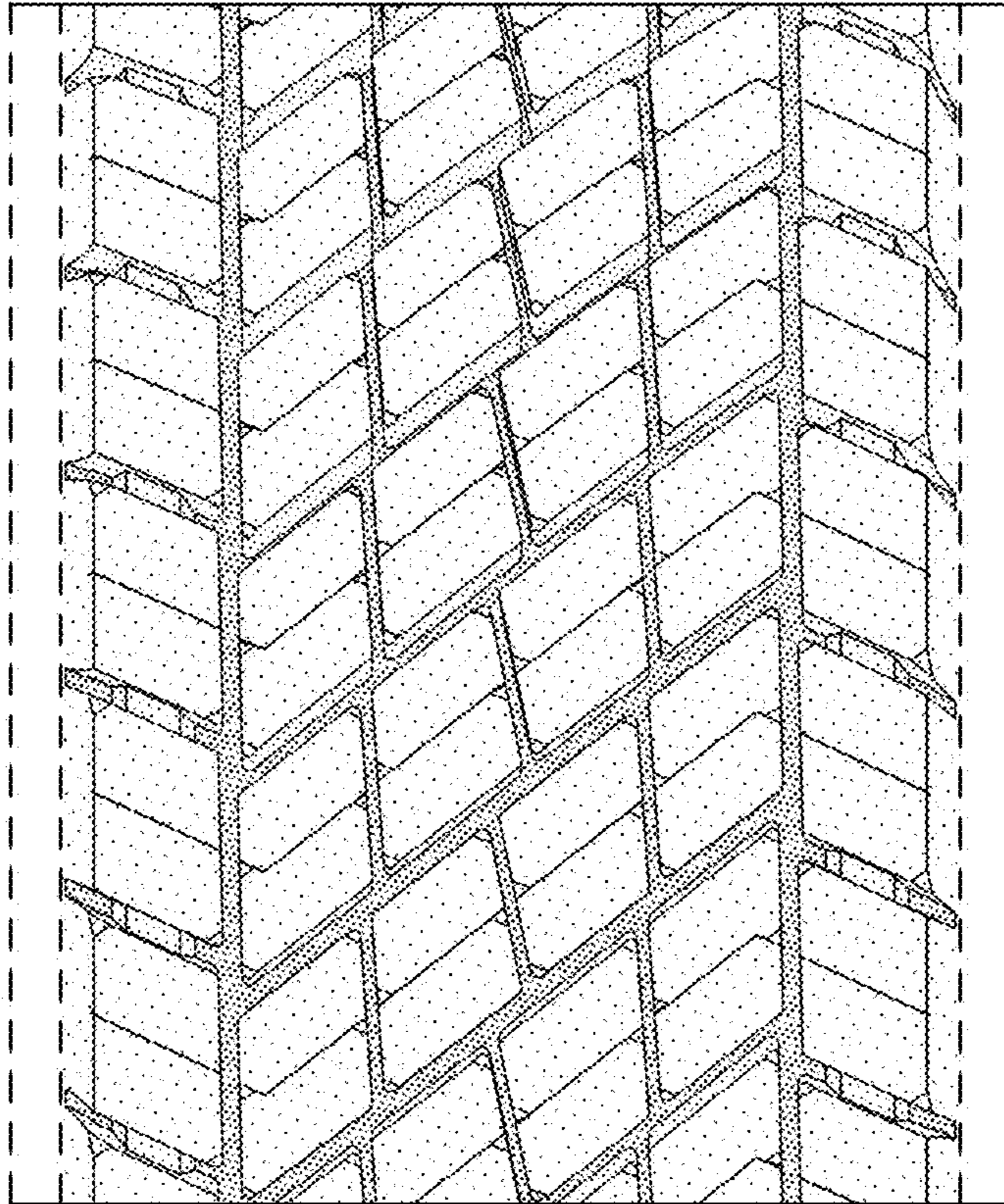


FIG - 4

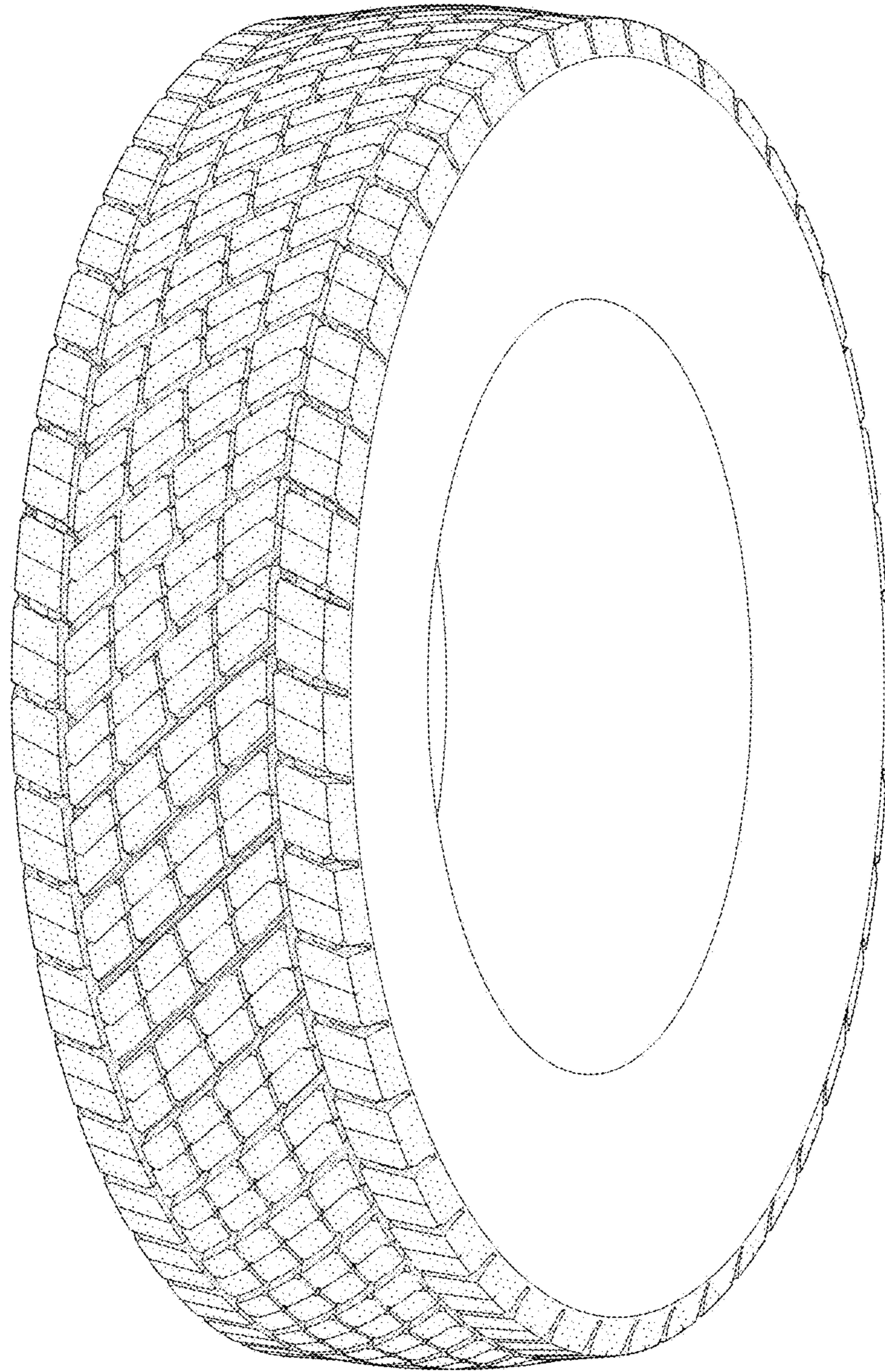


FIG - 5

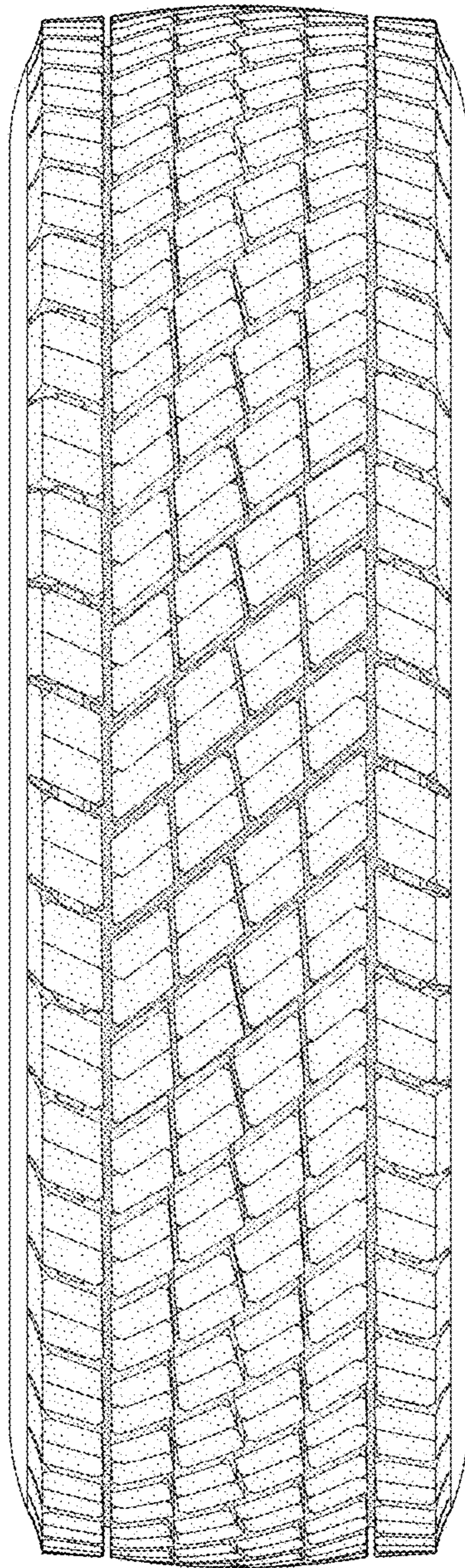


FIG - 6