



US00D902130S

(12) **United States Design Patent**  
**Liu et al.**

(10) **Patent No.:** **US D902,130 S**

(45) **Date of Patent:** **\*\* \*Nov. 17, 2020**

(54) **TIRE THREAD**

(71) Applicant: **PRINX CHENGSHAN (QINGDAO) INDUSTRIAL RESEARCH AND DESIGN CO., LTD.**, Qingdao (CN)

(72) Inventors: **Lianbo Liu**, Qingdao (CN); **Jiayu Qu**, Qingdao (CN); **Shiduo Ren**, Qingdao (CN); **Guohong Yu**, Qingdao (CN); **Zhe Luo**, Qingdao (CN)

(\*) Notice: This patent is subject to a terminal disclaimer.

(\*\*) Term: **15 Years**

(21) Appl. No.: **29/643,956**

(22) Filed: **Apr. 13, 2018**

(51) **LOC (12) Cl.** ..... **12-15**

(52) **U.S. Cl.**  
USPC ..... **D12/587**; D12/588

(58) **Field of Classification Search**  
USPC ..... D12/500, 568, 574-605  
CPC ..... Y10T 152/10027; B60C 1/0016; B60C 11/0306; B60C 11/0302; B60C 3/06; B60C 9/17

See application file for complete search history.

(56) **References Cited**

**U.S. PATENT DOCUMENTS**

D215,531 S \* 10/1969 Jacobs ..... D12/587  
D284,276 S \* 6/1986 Candiliotis ..... D12/587

D367,455 S \* 2/1996 Herberger ..... D12/587  
D541,735 S \* 5/2007 Yamaguchi ..... D12/587  
D592,590 S \* 5/2009 Janesh ..... D12/588  
D654,014 S \* 2/2012 Nobunaga ..... D12/587  
D731,960 S \* 6/2015 Otani ..... D12/587  
D781,223 S \* 3/2017 Dixon ..... D12/588  
D813,797 S \* 3/2018 Dixon ..... D12/588  
D836,537 S \* 12/2018 Kristen ..... D12/574  
D837,723 S \* 1/2019 Schultz ..... D12/588  
D843,312 S \* 3/2019 Cai ..... D12/588

\* cited by examiner

*Primary Examiner* — Lakiya G Rogers

*Assistant Examiner* — John A Voytek

(74) *Attorney, Agent, or Firm* — Getech Law LLC; Jun Ye

(57) **CLAIM**

The ornamental design for a tire tread, as shown and described.

**DESCRIPTION**

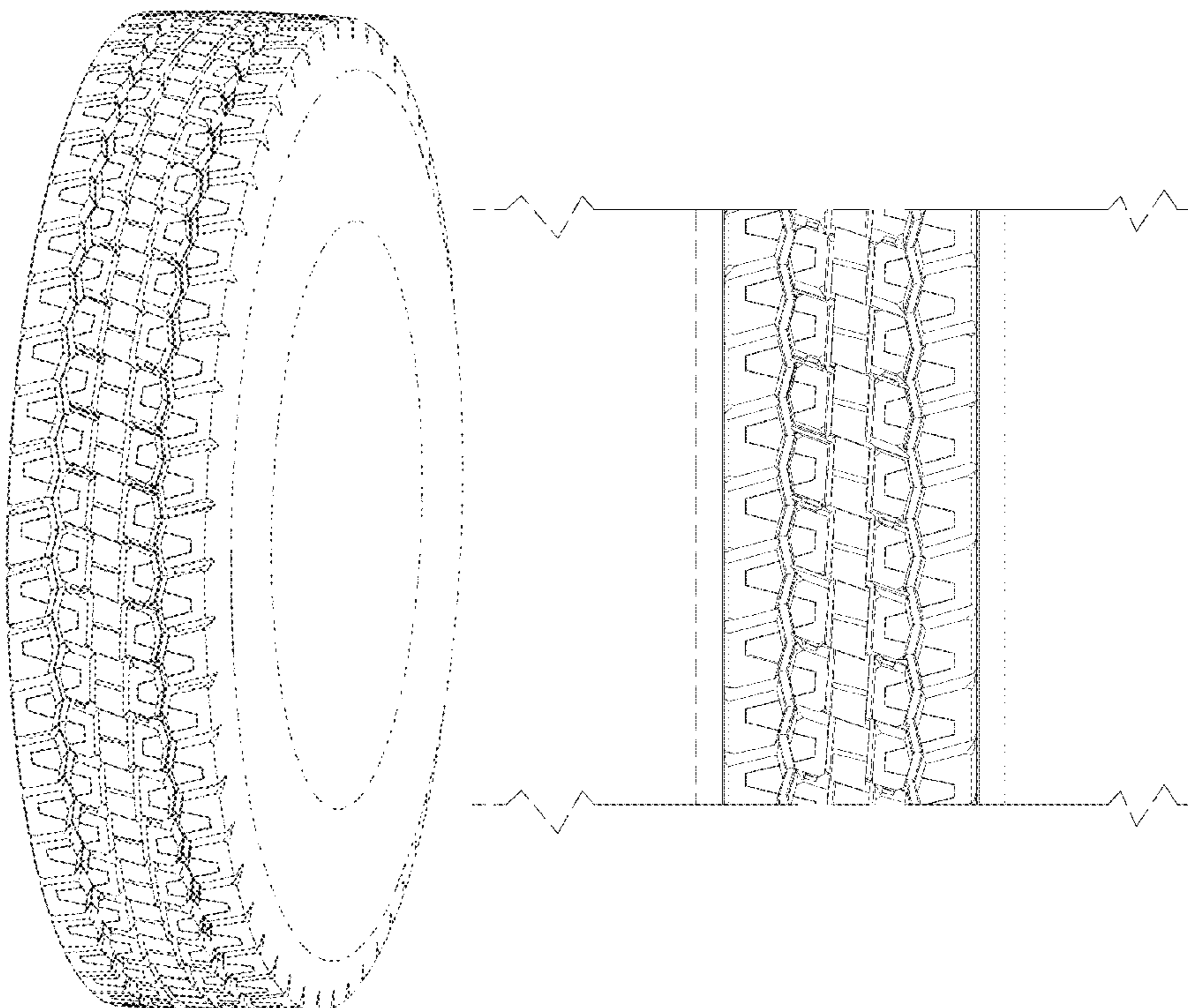
FIG. 1 is a perspective view of the tire tread showing the design;

FIG. 2 is a front elevational view thereof, a rear elevational view is identical to the front elevational view, a top plan view is identical to the front elevational view, and a bottom plan view is identical to the front elevational view;

FIG. 3 is a left side view thereof, and a right side view thereof is identical to the left side view; and,

FIG. 4 is an enlarged, partial view of the tread in FIG. 1. In the drawings, the broken lines showing portions of the sidewall and inner bead depict portions of the tire that form no part of the claimed design.

**1 Claim, 4 Drawing Sheets**



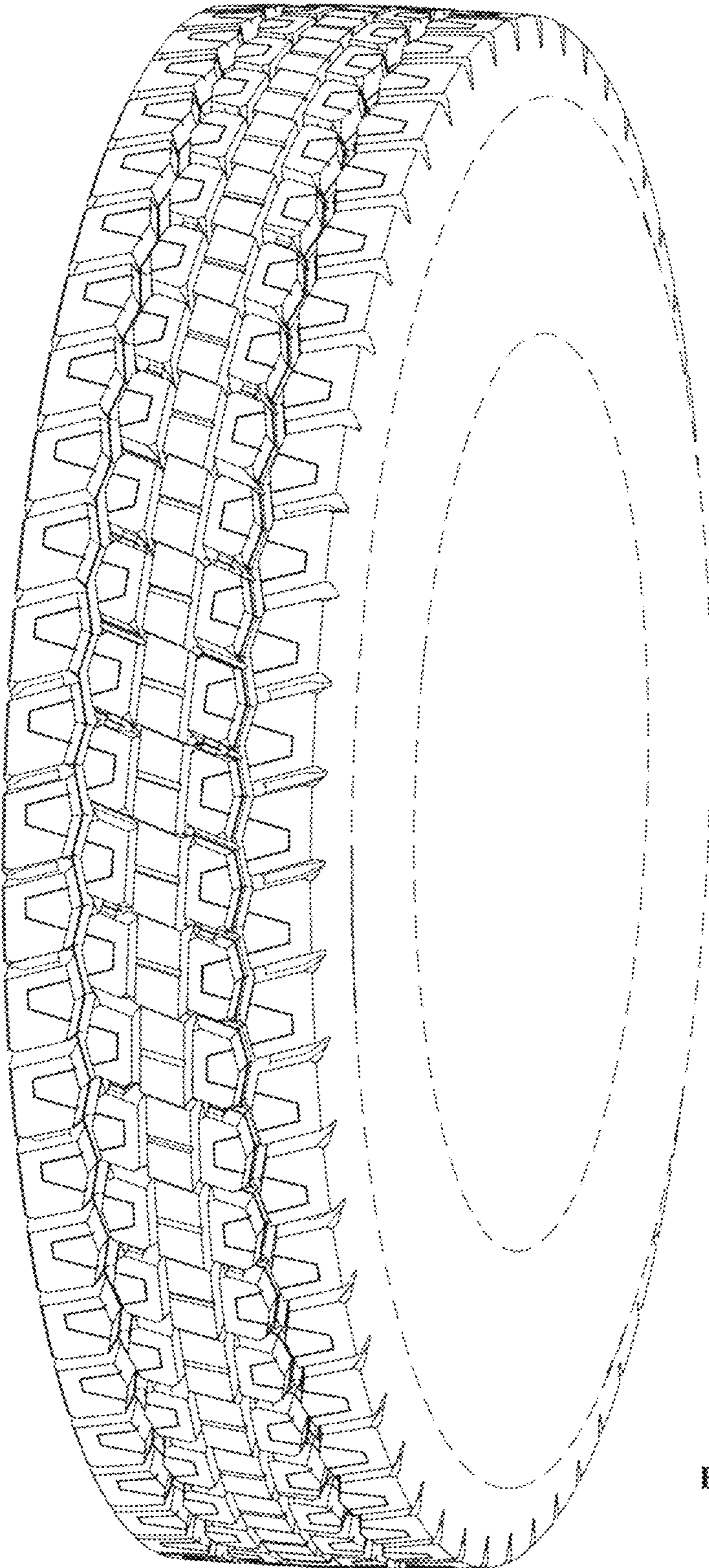


FIG. 1

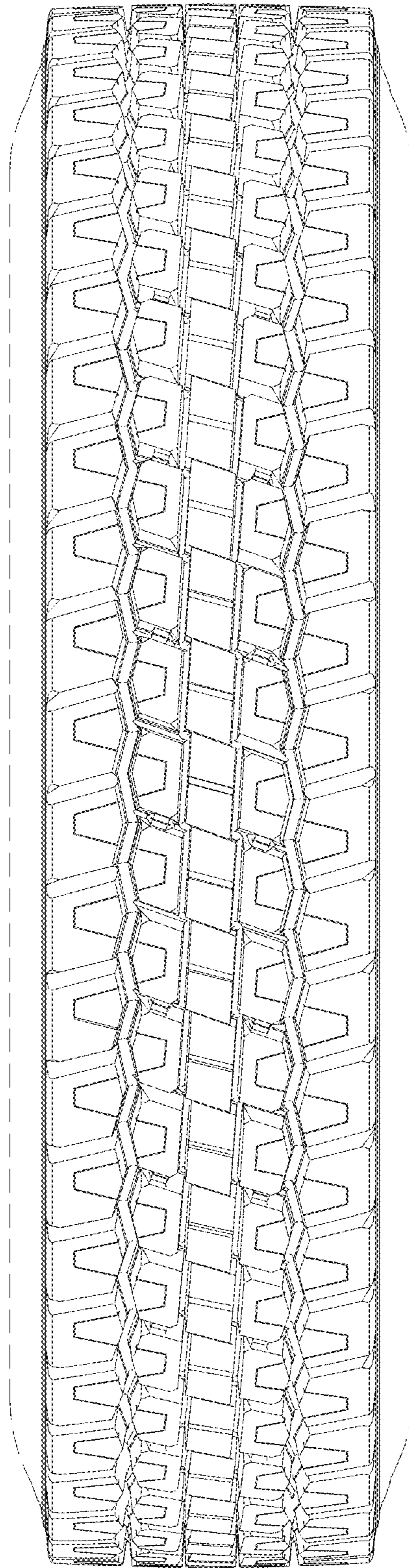


FIG. 2

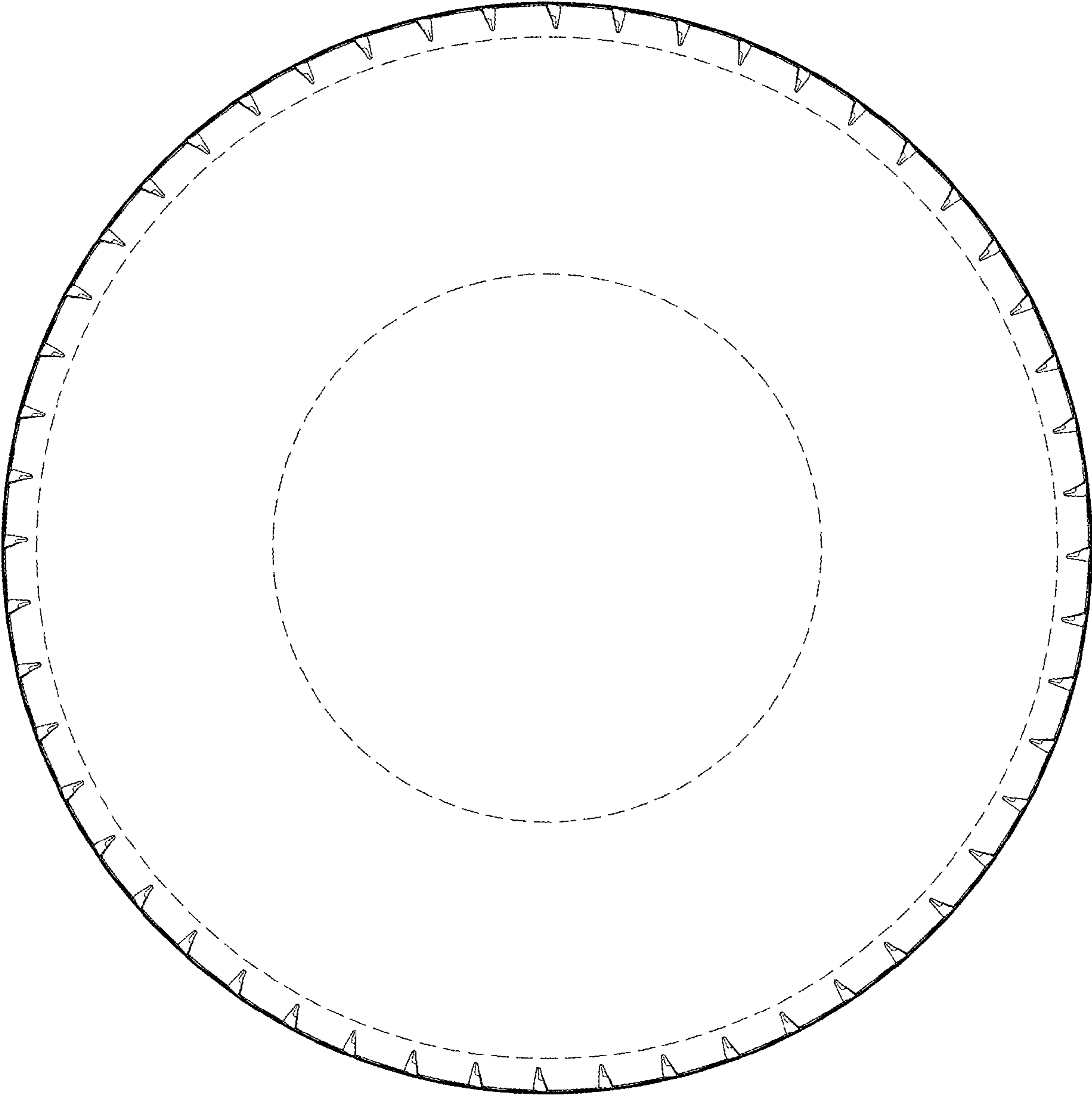


FIG. 3

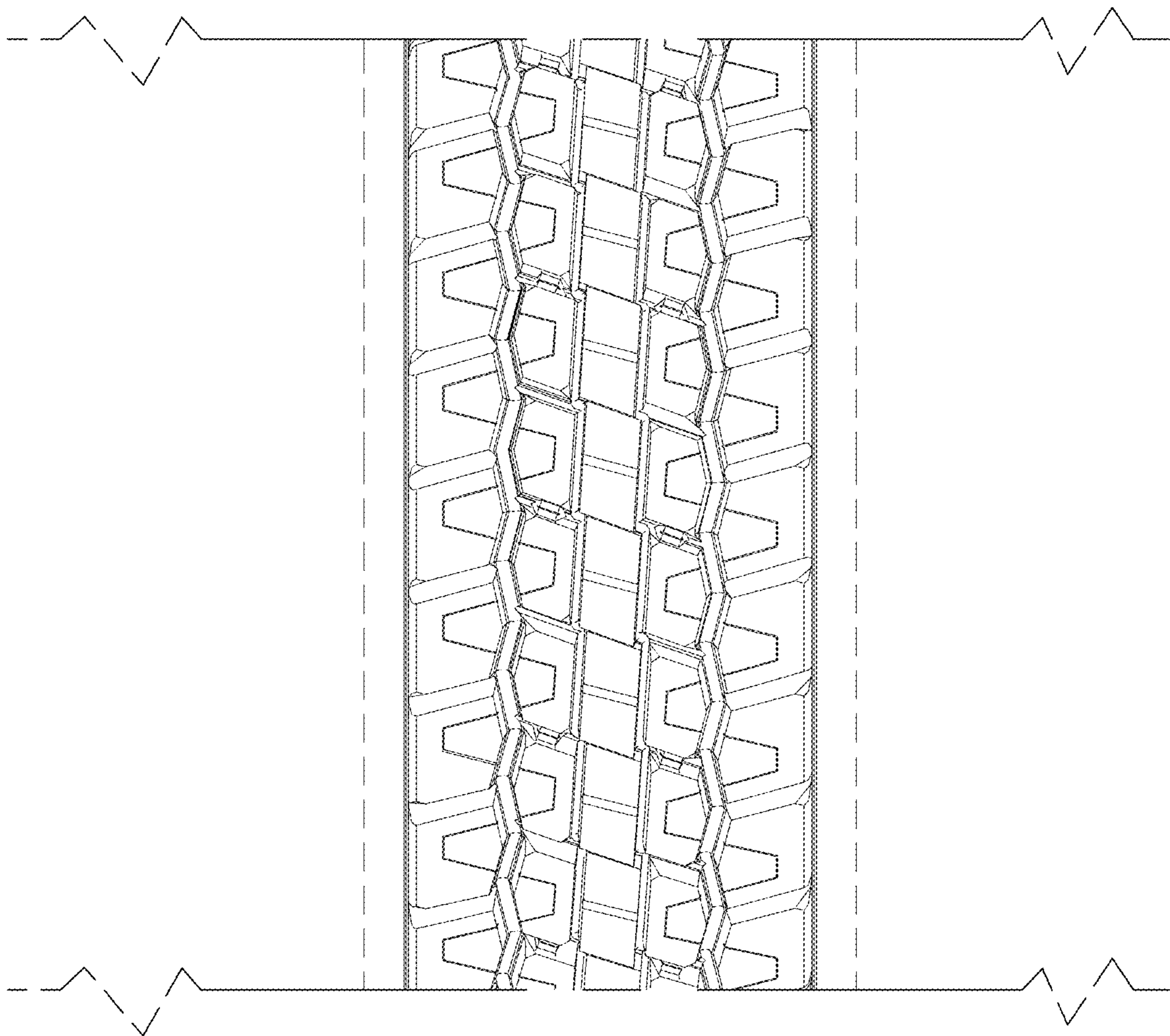


FIG. 4