



US00D902125S

(12) **United States Design Patent**
Matras

(10) **Patent No.:** **US D902,125 S**

(45) **Date of Patent:** **** Nov. 17, 2020**

(54) **VEHICLE COVER STORAGE BOOT**

(71) Applicant: **Michael S. Matras**, Abilene, TX (US)

(72) Inventor: **Michael S. Matras**, Abilene, TX (US)

(**) Term: **15 Years**

(21) Appl. No.: **29/672,890**

(22) Filed: **Dec. 10, 2018**

(51) **LOC (12) Cl.** **12-16**

(52) **U.S. Cl.**
USPC **D12/403**

(58) **Field of Classification Search**
USPC D12/401–405; D6/610, 611, 596,
D6/601–603, 15, 617, 621; D7/332,
D7/334–337
CPC B65D 85/68; B65D 31/16; B65D 33/02;
B60R 5/04; B60R 5/045; B60P 7/04
See application file for complete search history.

(56) **References Cited**

U.S. PATENT DOCUMENTS

D337,979 S *	8/1993	Napieraj	D12/403
D345,122 S *	3/1994	Lloyd	D12/221
D355,405 S *	2/1995	Sligh	D12/403
D397,669 S *	9/1998	Komick	D12/403
D445,396 S *	7/2001	Wood	D12/403
D669,839 S *	10/2012	Valenta	D12/403
D820,192 S *	6/2018	Currid	B65D 65/02
				D12/403
D870,019 S *	12/2019	Chang	D12/403

2007/0075563 A1*	4/2007	Patrice	B60J 11/00
				296/136.01
2008/0174144 A1*	7/2008	Coleman	B60J 11/06
				296/136.02
2009/0102230 A1*	4/2009	Pehrson	B60J 11/08
				296/136.13

* cited by examiner

Primary Examiner — Katrina A Betton

(74) *Attorney, Agent, or Firm* — John J. Patti; Patti Pershern, PLLC

(57) **CLAIM**

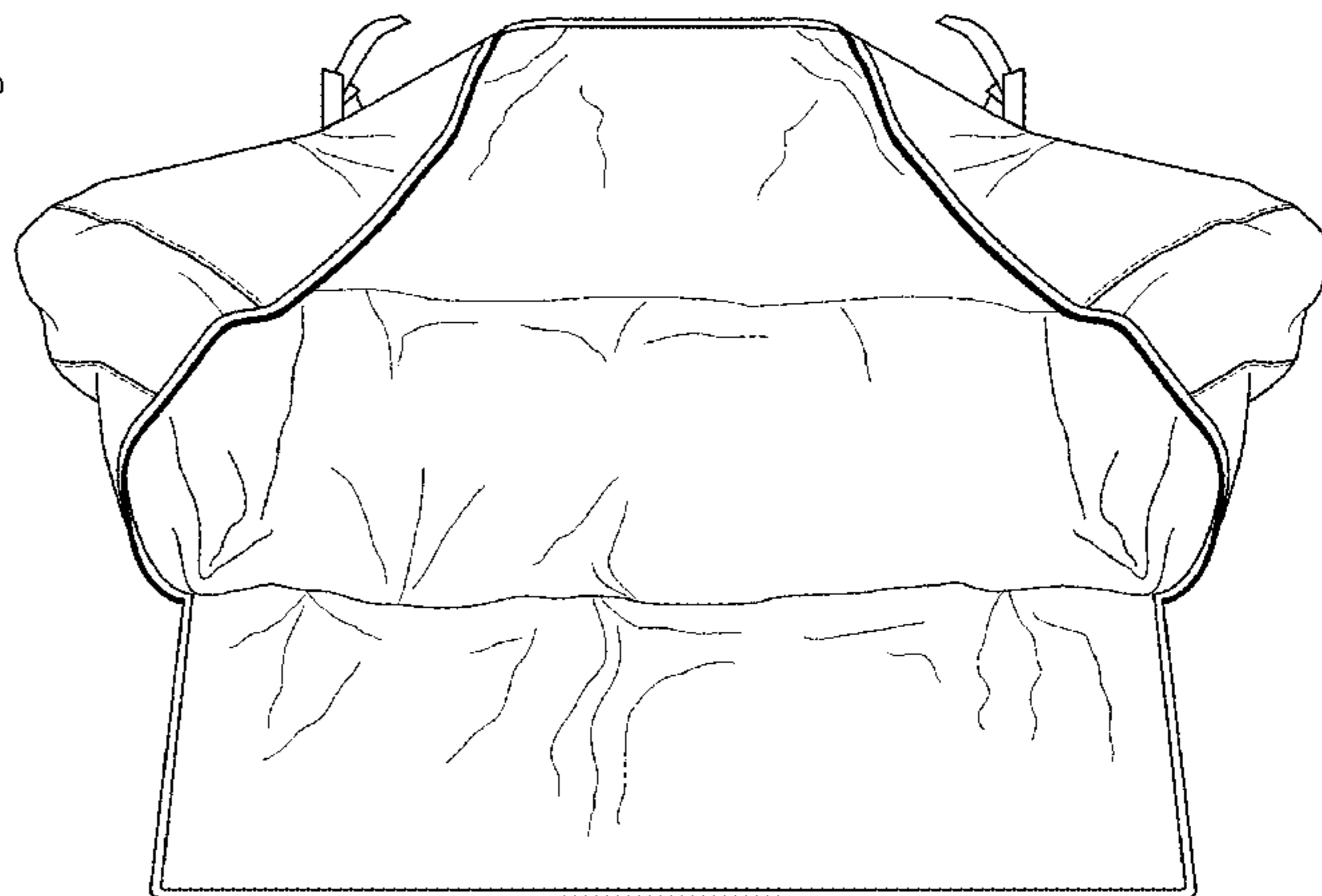
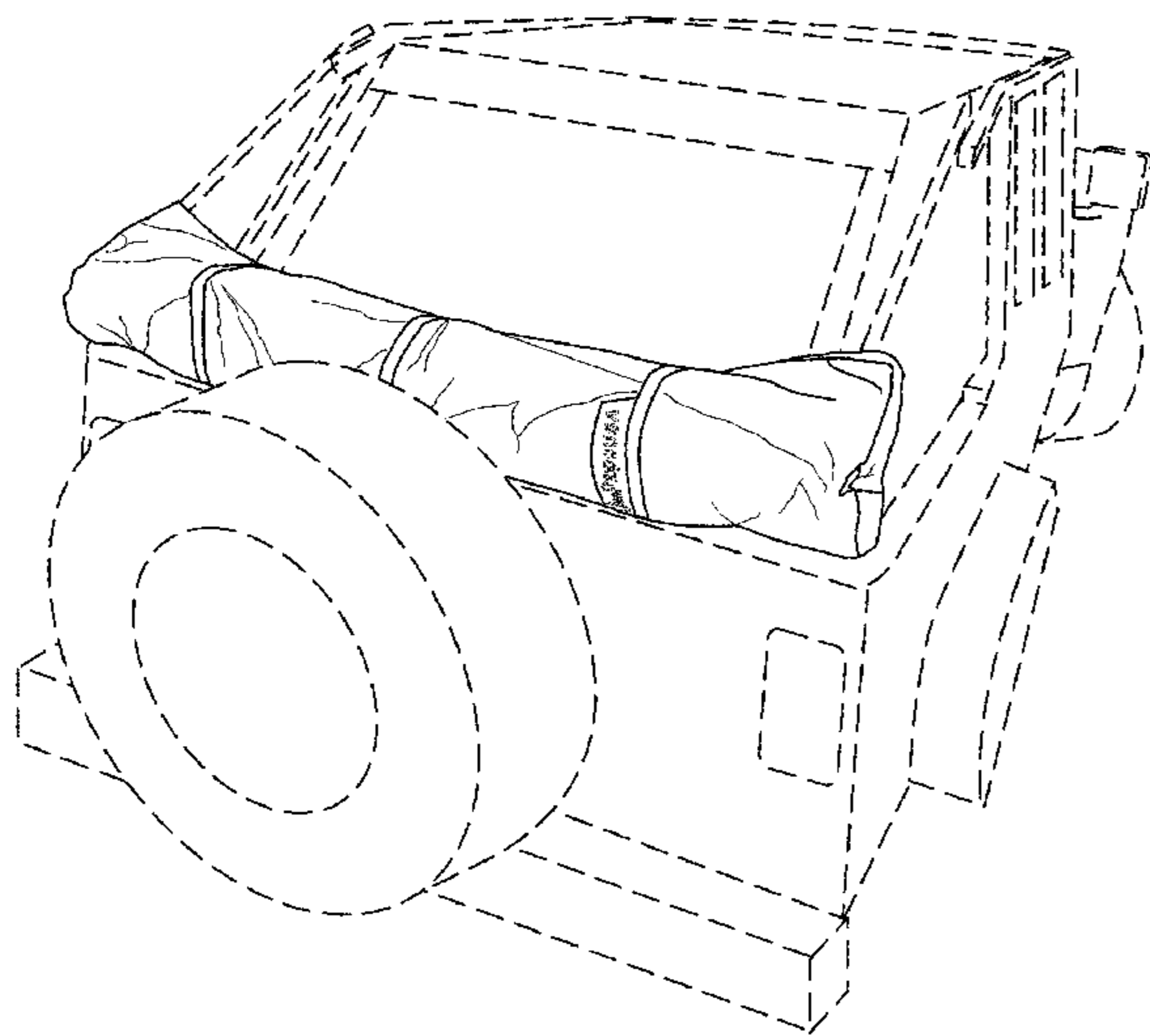
The ornamental design for a vehicle cover storage boot, as shown and described.

DESCRIPTION

FIG. 1 is a rear view of a fastened vehicle cover storage boot, in place on a vehicle;
FIG. 2 is a top view of an unfastened vehicle cover storage boot;
FIG. 3 is a side view of an unfastened vehicle cover storage boot;
FIG. 4 is a bottom view of a fastened vehicle cover storage boot;
FIG. 5 is a top view of a fastened vehicle cover storage boot;
FIG. 6 is a left side view of a fastened vehicle storage boot, in place on a vehicle; and,
FIG. 7 is a right side view of a fastened vehicle storage boot, in place on a vehicle.

It will be understood that the shading and broken lines presented in the drawings are for illustration only and do not form part of the claimed design.

1 Claim, 7 Drawing Sheets



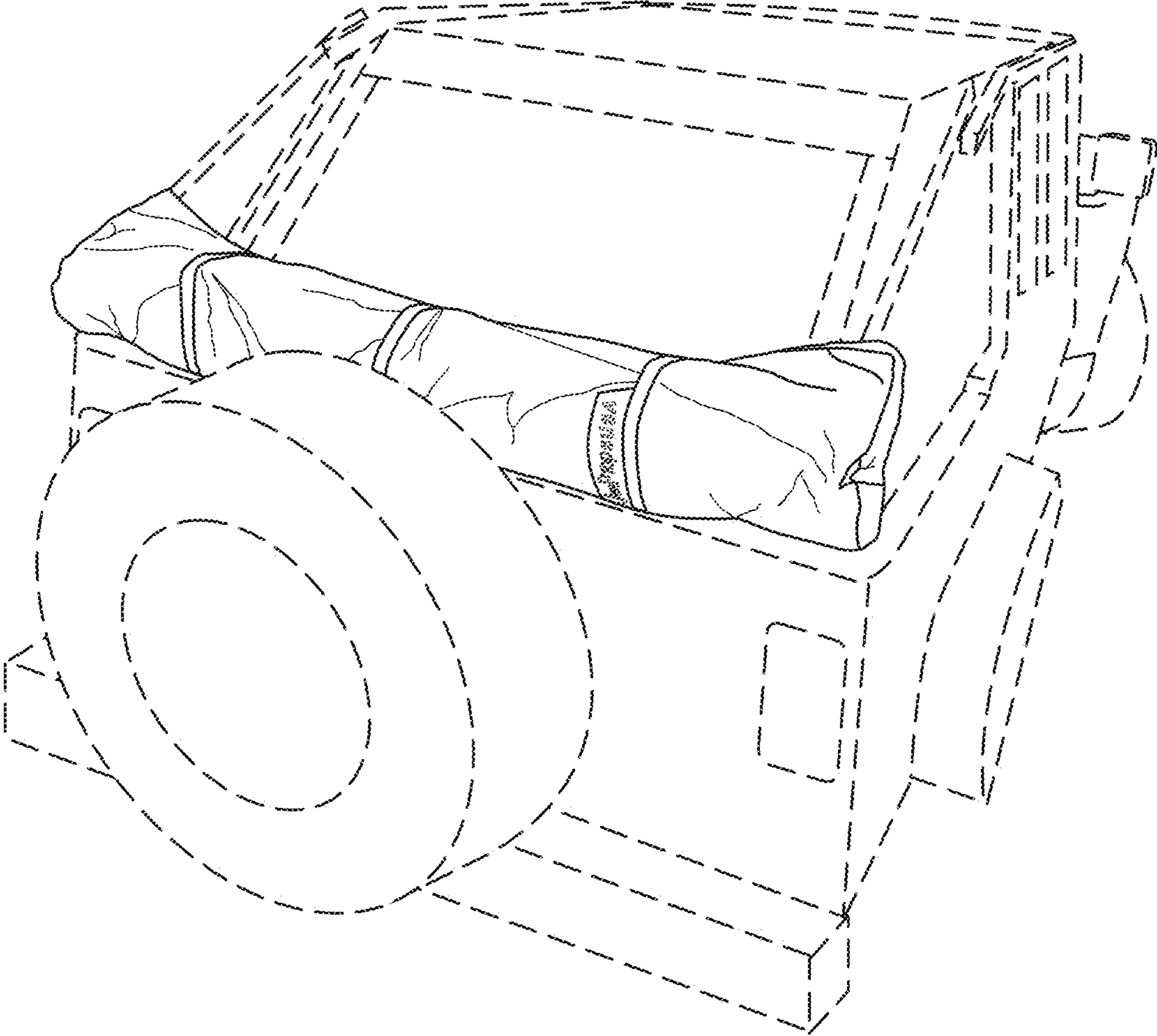


FIG. 1

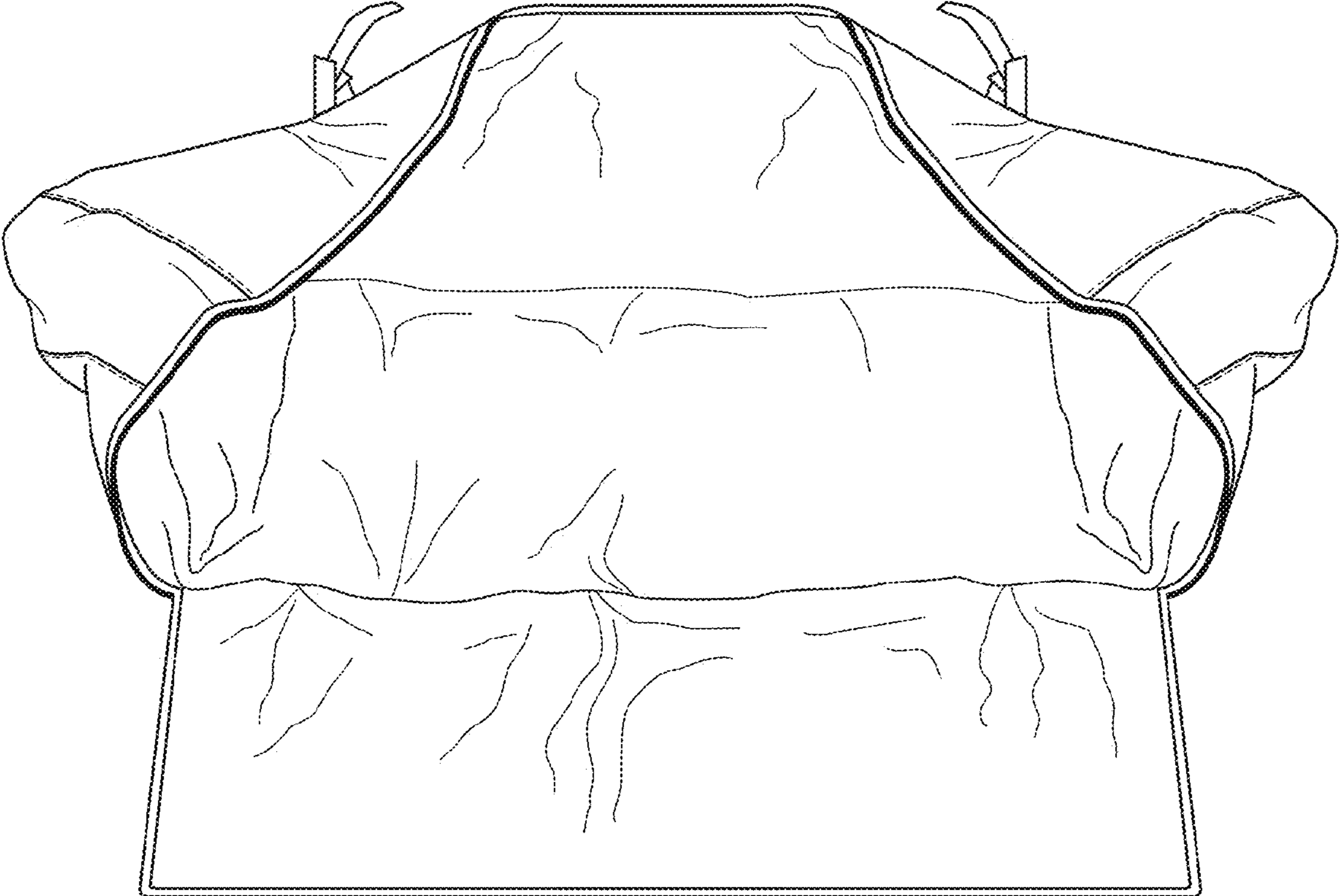


FIG. 2

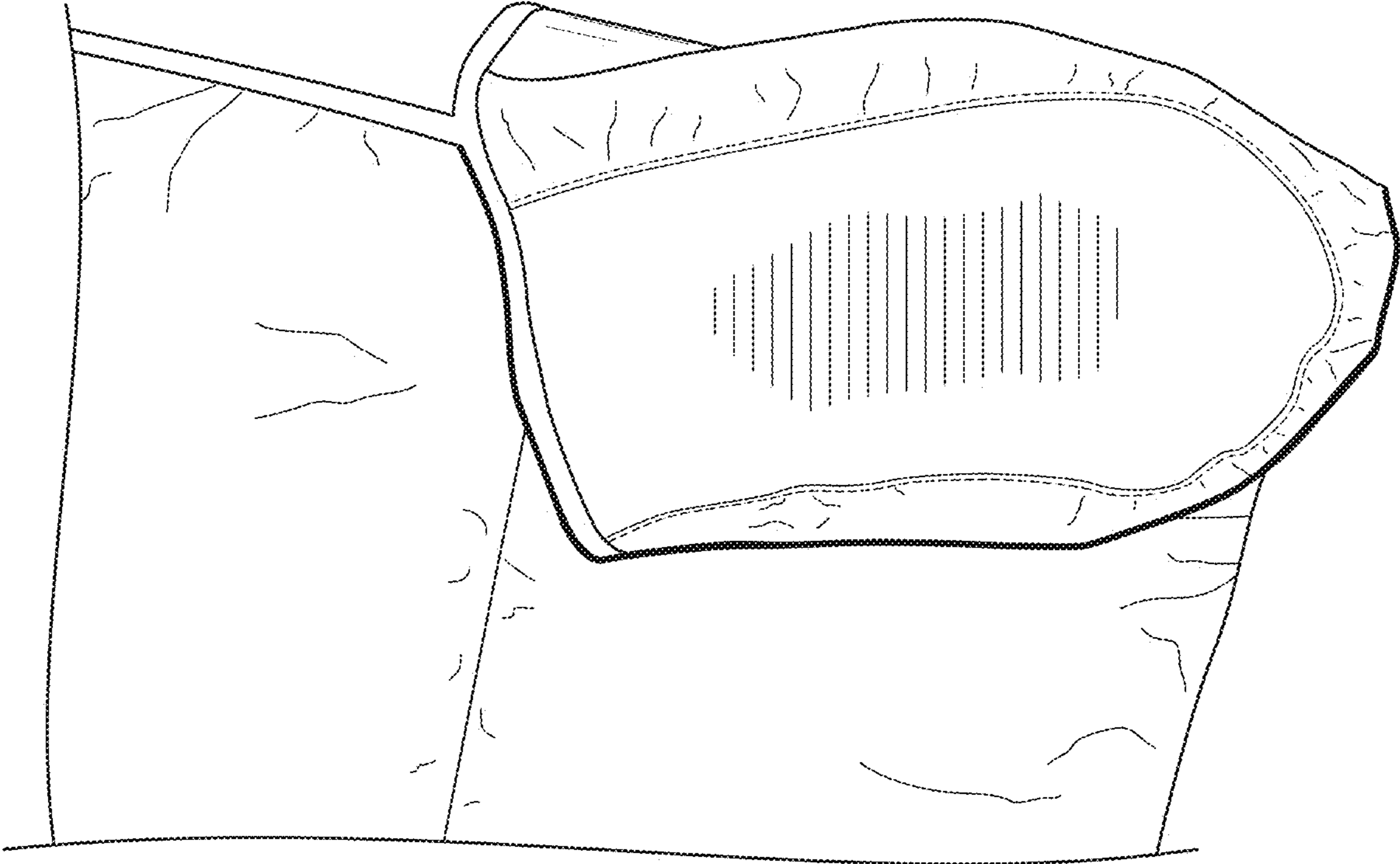


FIG. 3

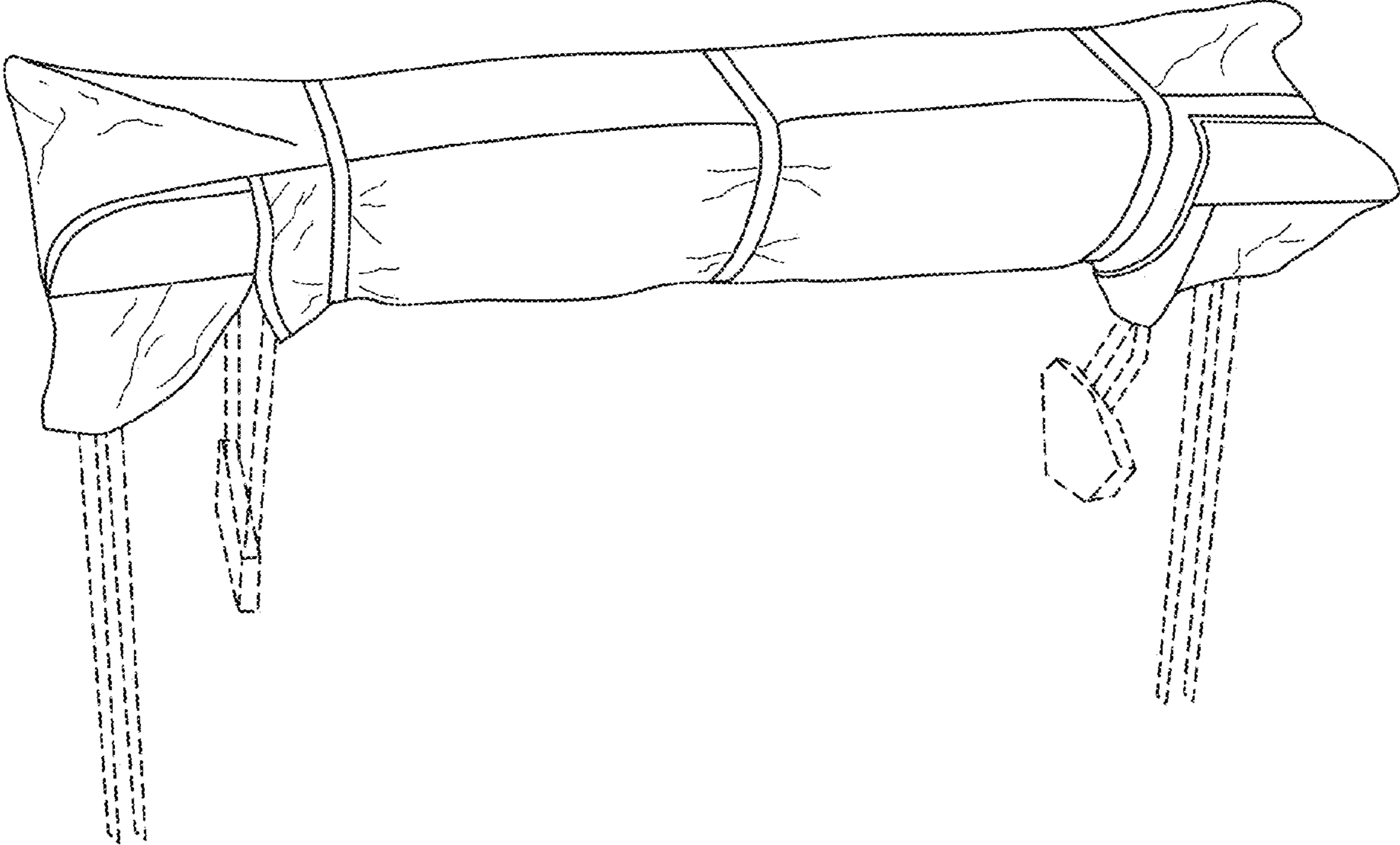


FIG. 4

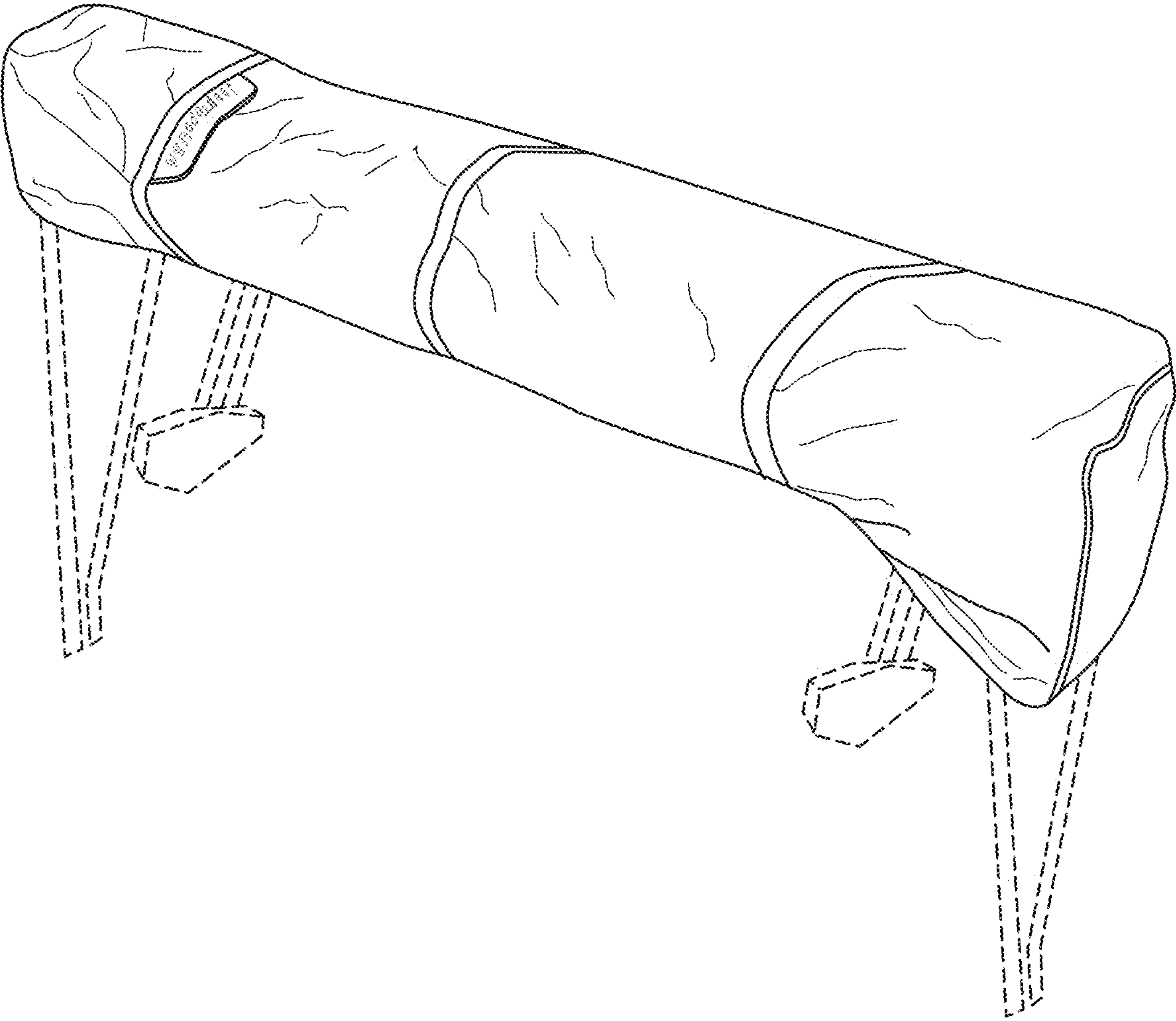


FIG. 5

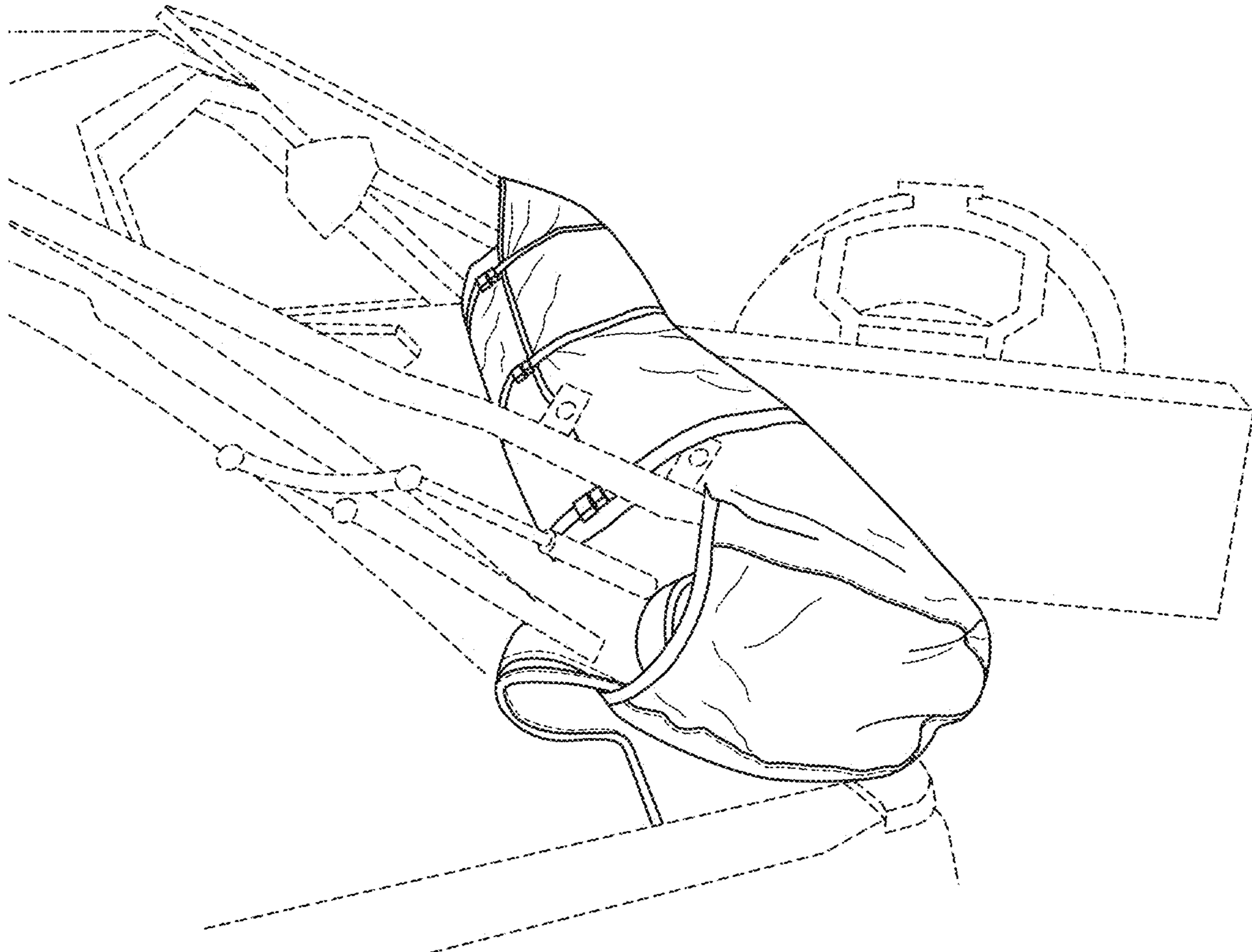


FIG. 6

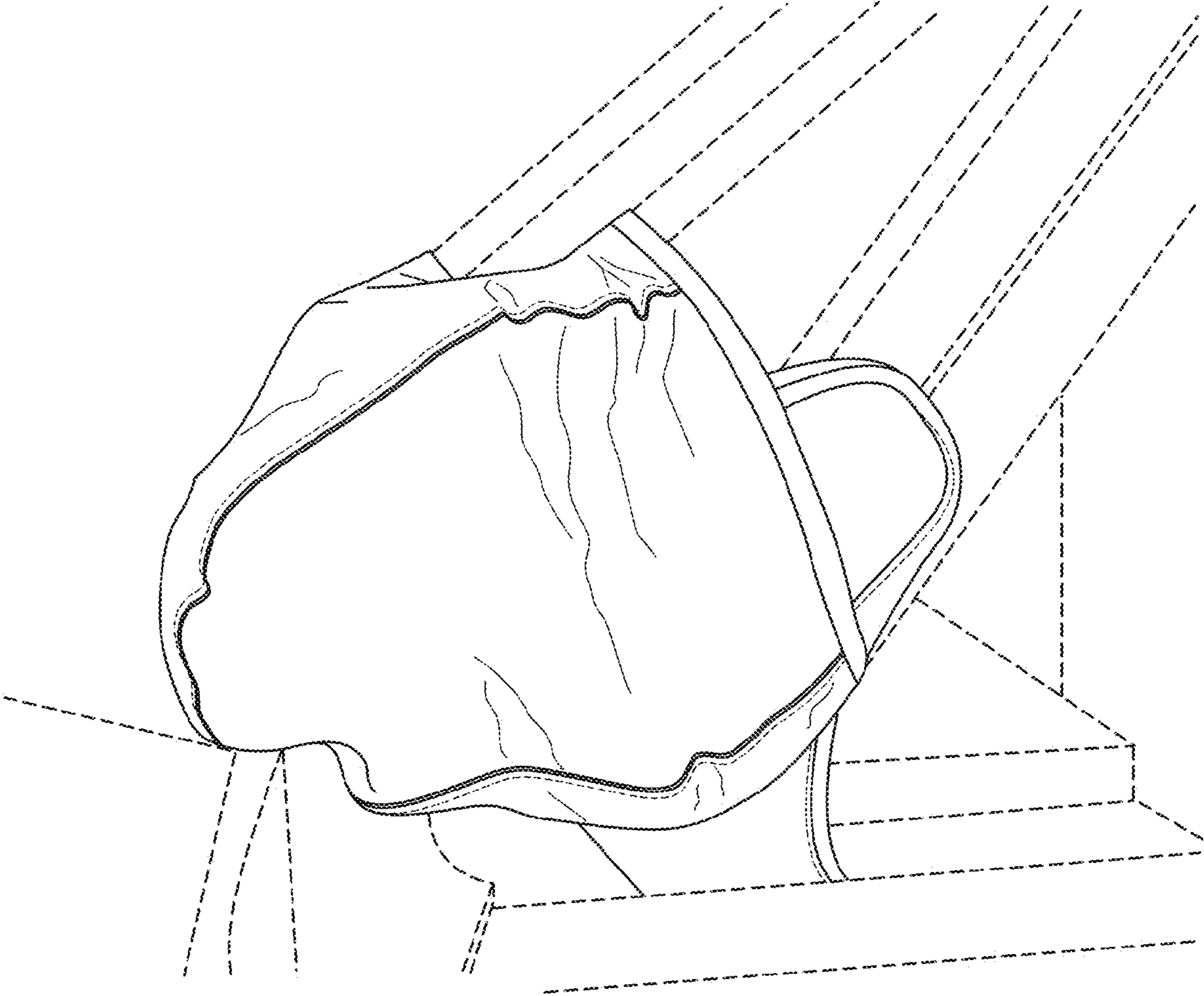


FIG. 7