



US00D902123S

(12) **United States Design Patent**
Rouzaud

(10) **Patent No.:** **US D902,123 S**

(45) **Date of Patent:** **** Nov. 17, 2020**

(54) **COVER FOR A VEHICLE ROLL BAR**

D864,310 S * 10/2019 Jens Christensen D21/562
D869,370 S * 12/2019 Mikhailov D12/222
D885,302 S * 5/2020 Sprowl D12/401
D893,394 S * 8/2020 Roy D12/222

(71) Applicant: **Victor Rouzaud**, Riverside, CA (US)

(72) Inventor: **Victor Rouzaud**, Riverside, CA (US)

* cited by examiner

(**) Term: **15 Years**

Primary Examiner — Katrina A Betton

(21) Appl. No.: **29/643,659**

(74) *Attorney, Agent, or Firm* — Kirk A. Buhler; Buhler & Associates Patenting

(22) Filed: **Apr. 10, 2018**

(51) **LOC (12) Cl.** **12-16**

(52) **U.S. Cl.**

USPC **D12/401**

(58) **Field of Classification Search**

USPC D12/401–405; D6/610, 611, 596,
D6/601–603, 615, 617, 621; D7/332,
D7/334–337

CPC B65D 85/68; B65D 31/16; B65D 33/02;
B60R 5/04; B60R 5/045; B60P 7/04

See application file for complete search history.

(57) **CLAIM**

The ornamental design for a cover for a vehicle roll bar, as shown.

DESCRIPTION

FIG. 1 is an enlarged top perspective view of a cover for a vehicle roll bar, showing my new design in its environment; FIG. 2 is a rear elevation view thereof; FIG. 3 is a front elevation view thereof; FIG. 4 is a right-side elevation view, the left side elevation view being a mirror image thereof; FIG. 5 is a top plan view thereof; and, FIG. 6 is a bottom view thereof.

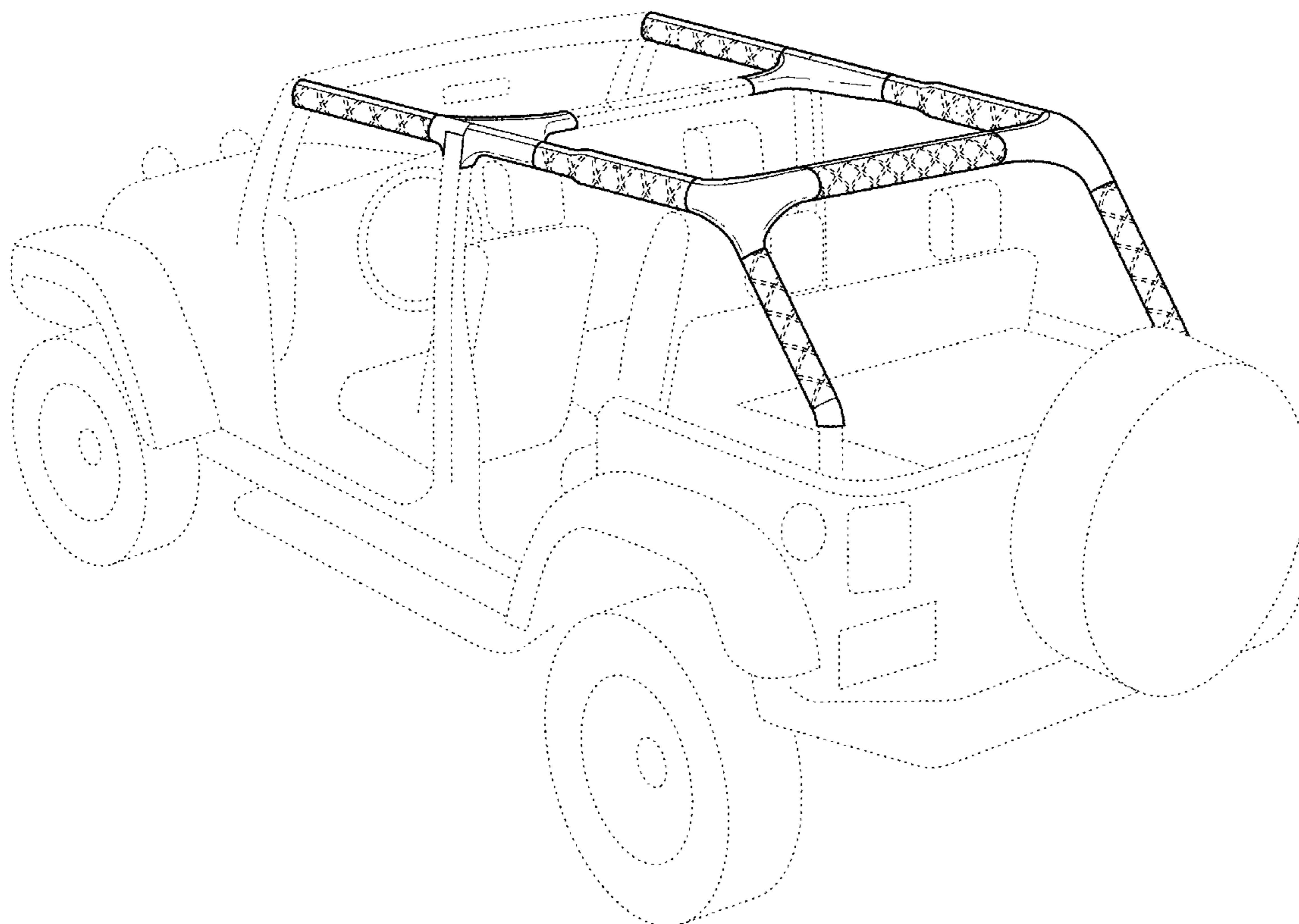
The broken lines in FIGS. 1-6 depict environmental subject matter of a vehicle and form no part of the claimed design. The diamond stitching pattern can appear at different positions on the cover.

(56) **References Cited**

U.S. PATENT DOCUMENTS

D493,848 S	8/2004	Dunst	
D621,326 S *	8/2010	Bauer	D12/222
D655,236 S *	3/2012	Sanschagrın	D12/222
D681,542 S	5/2013	Oliver	
D719,061 S *	12/2014	Tandrup	D12/87
D727,794 S *	4/2015	Tandrup	D12/87
D766,407 S	9/2016	Portilla	
D815,155 S *	4/2018	Jacobsthal	D15/28
D826,831 S *	8/2018	Eck	D12/222

1 Claim, 5 Drawing Sheets



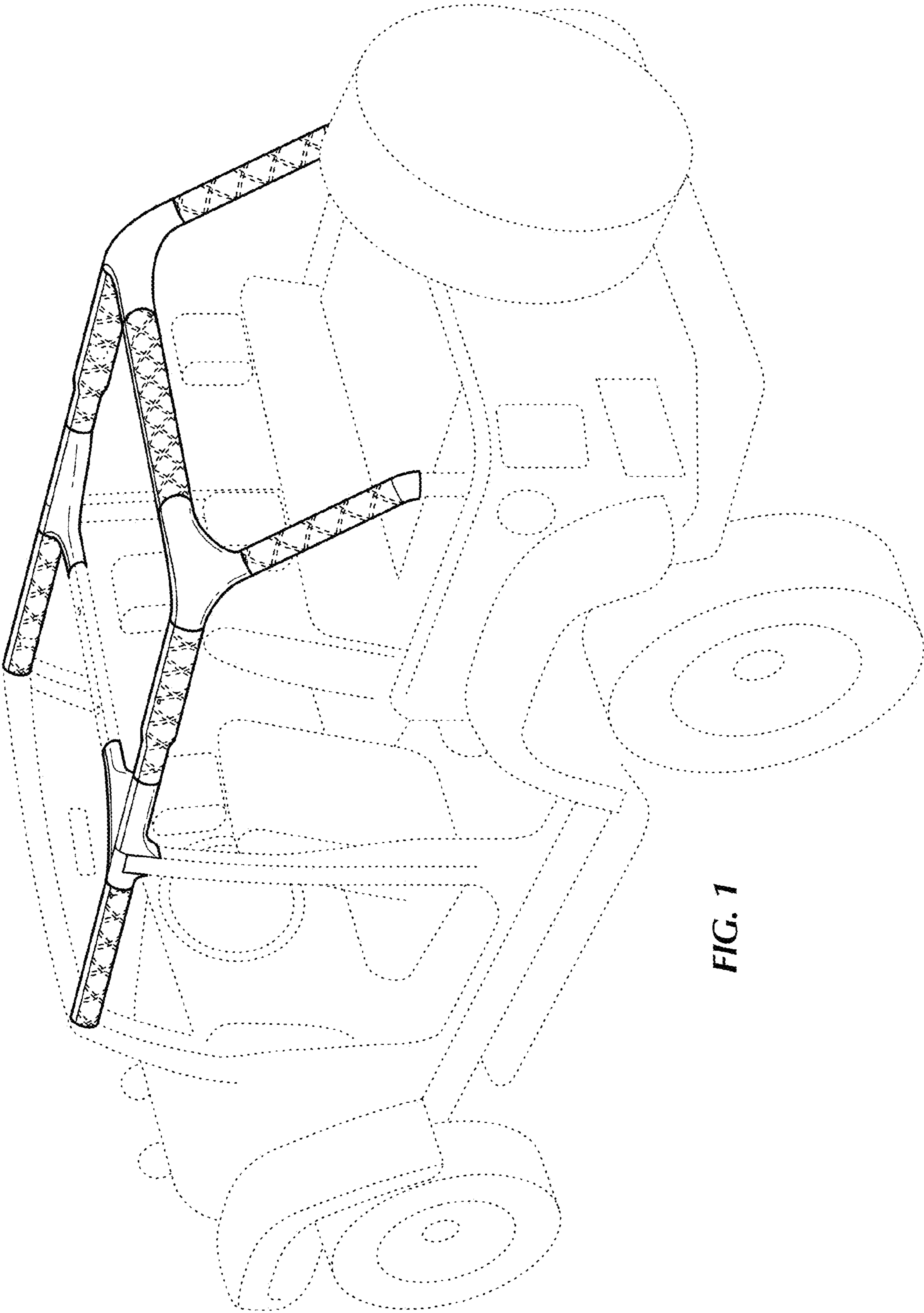


FIG. 1

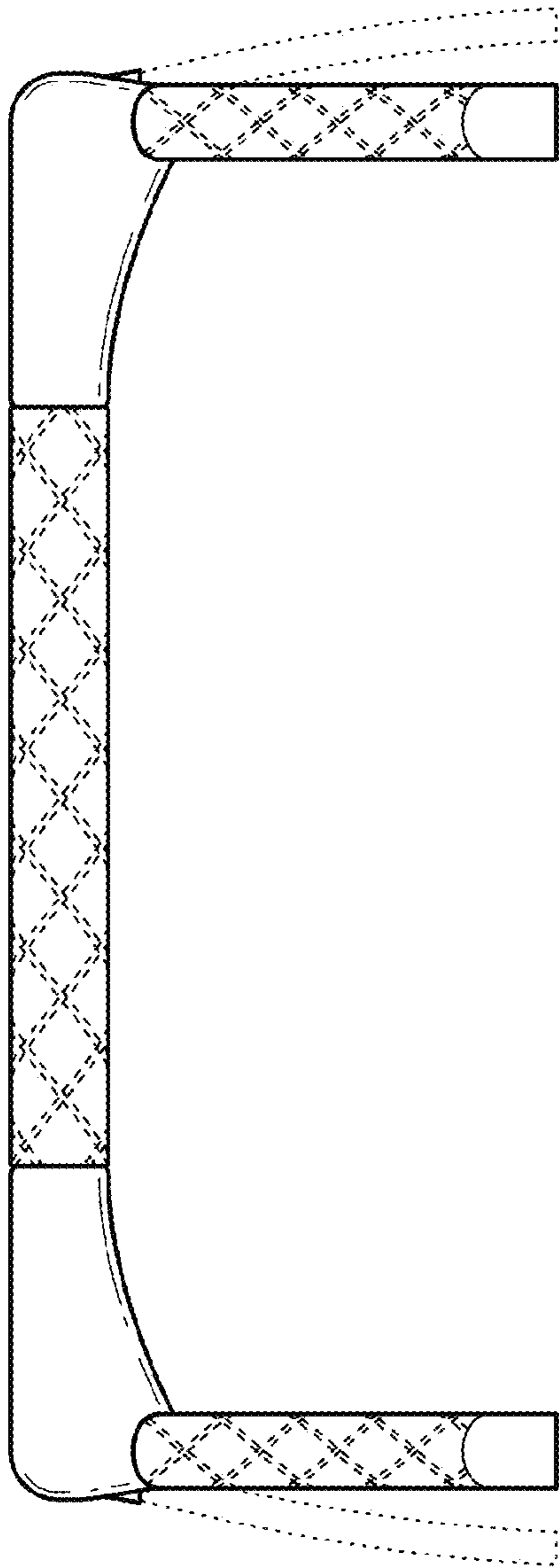


FIG. 2

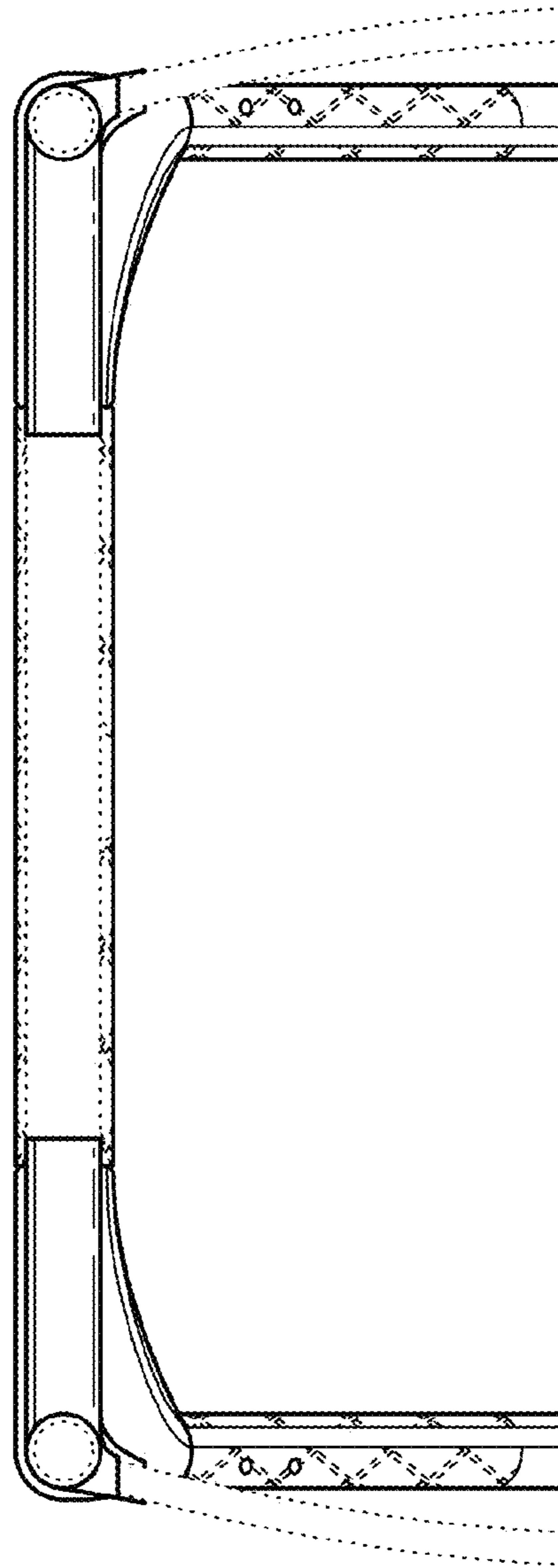


FIG. 3

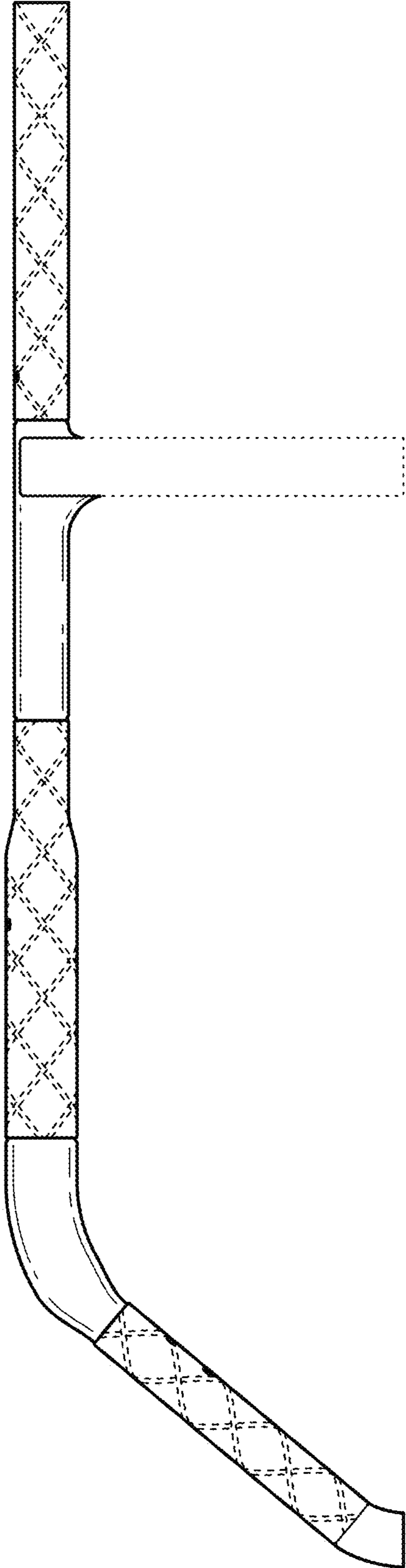


FIG. 4

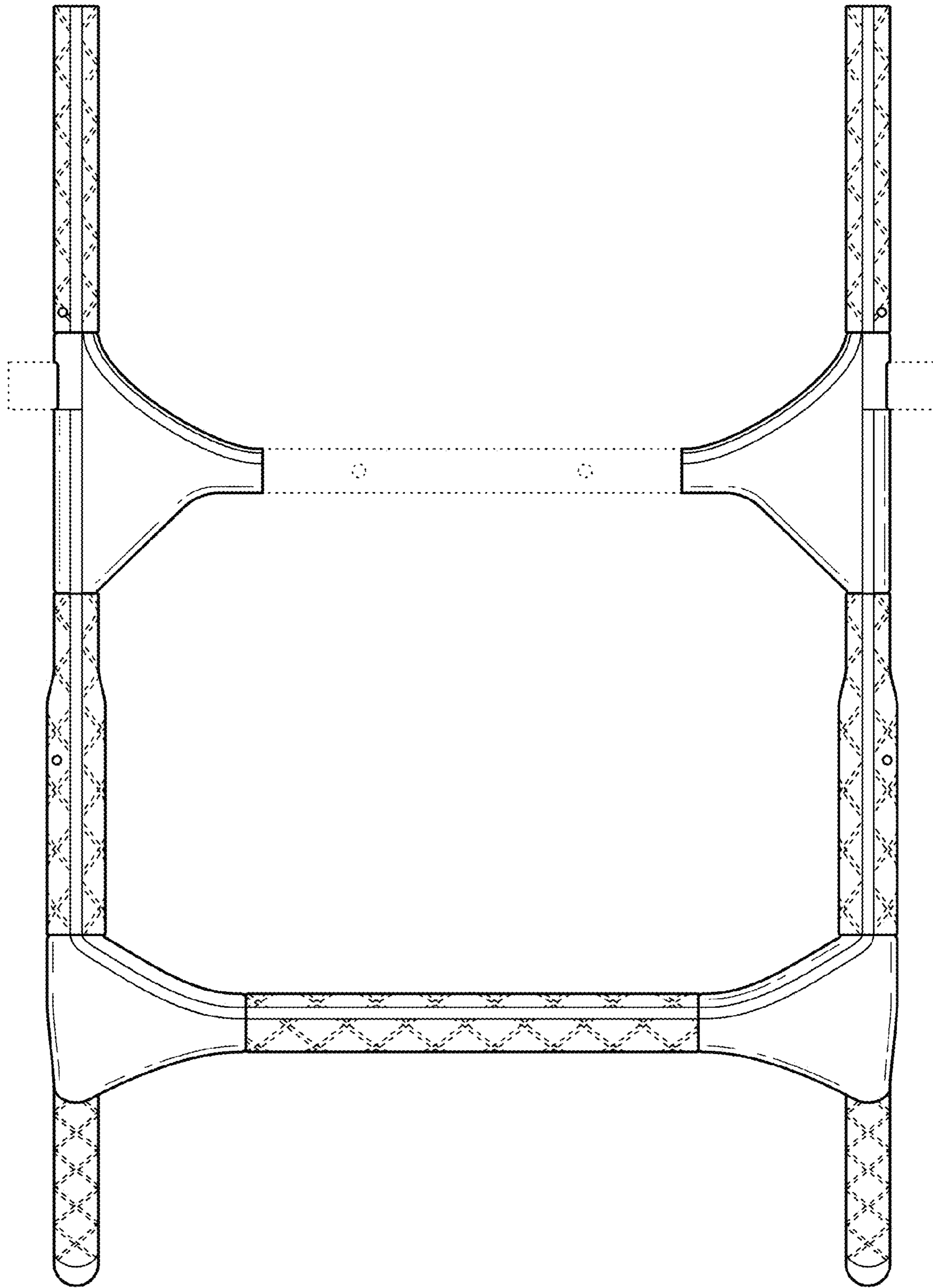


FIG. 5

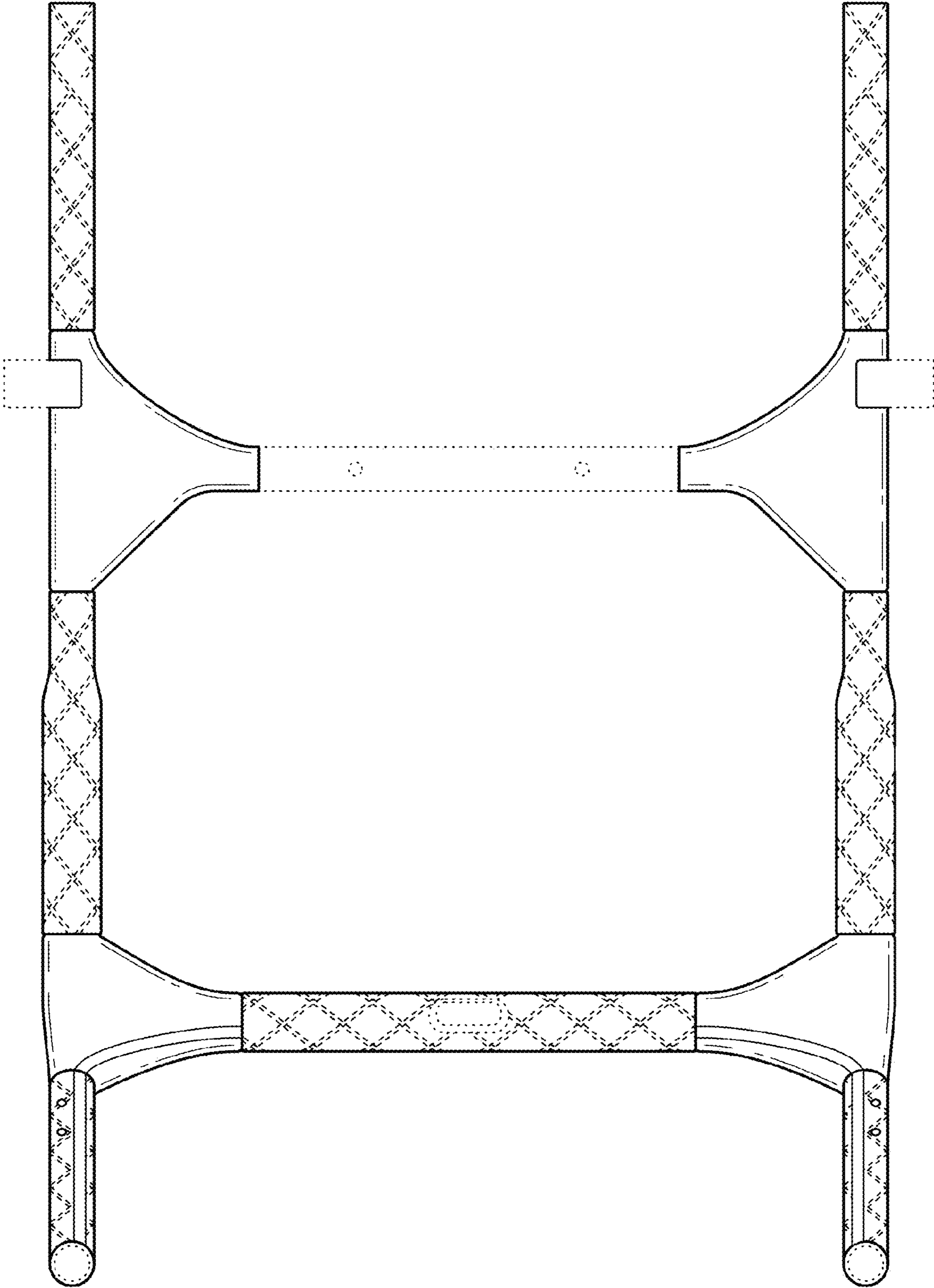


FIG. 6