



US00D902122S

(12) **United States Design Patent** (10) **Patent No.:** **US D902,122 S**
Kooiman et al. (45) **Date of Patent:** **** Nov. 17, 2020**

(54) **PAIR OF AIRCRAFT WINGS**
(71) Applicant: **Bell Textron Inc.**, Fort Worth, TX (US)
(72) Inventors: **James Everett Kooiman**, Fort Worth, TX (US); **Lynn Francis Eschete**, Arlington, TX (US); **Andrew Thomas Carter**, Richland Hills, TX (US); **Aaron Alexander Acee**, Flower Mound, TX (US)

(73) Assignee: **Bell Textron Inc.**, Fort Worth, TX (US)
(**) Term: **15 Years**

(21) Appl. No.: **29/707,476**

(22) Filed: **Sep. 27, 2019**

(51) **LOC (12) Cl.** **12-07**

(52) **U.S. Cl.**
USPC **D12/345**

(58) **Field of Classification Search**
USPC D12/1-4, 16.1, 319-345; D21/301, 436, D21/441, 442, 443, 444, 447, 448, 449, D21/450, 451, 452, 453, 454, 455
CPC B64C 39/024; B64C 2201/108; B64C 2201/141; B64C 2201/024
See application file for complete search history.

(56) **References Cited**

U.S. PATENT DOCUMENTS

D278,729 S * 5/1985 Ninomiya D21/449
D278,730 S * 5/1985 Ninomiya D21/449
4,896,845 A * 1/1990 Peretti F42B 10/16
102/384
D456,337 S * 4/2002 Sankrithi D12/335
D492,738 S * 7/2004 Darack D12/321
D530,659 S * 10/2006 Guering D12/319
D532,742 S * 11/2006 Pan D12/319
D573,939 S * 7/2008 Las Heras D12/319
D588,976 S * 3/2009 Westra D12/319

D624,001 S * 9/2010 Saint-Jalmes D12/345
D624,867 S * 10/2010 Gall D12/345
D624,868 S * 10/2010 Gall D12/345
D630,996 S * 1/2011 Gall D12/319
D665,331 S * 8/2012 Sands D12/319
D690,254 S * 9/2013 Manzhelii D12/319
D695,205 S * 12/2013 Guzman D12/326
D717,227 S * 11/2014 Herzberger D12/324

(Continued)

OTHER PUBLICATIONS

Bell 360 Invictus—Future Attack Reconnaissance Aircraft. by Bell. dated 2020. found online [Jul. 24, 2020] <https://www.bellflight.com/products/bell-360>.*

Primary Examiner — Marissa J Cash

(74) *Attorney, Agent, or Firm* — Lawrence Youst PLLC

(57) **CLAIM**

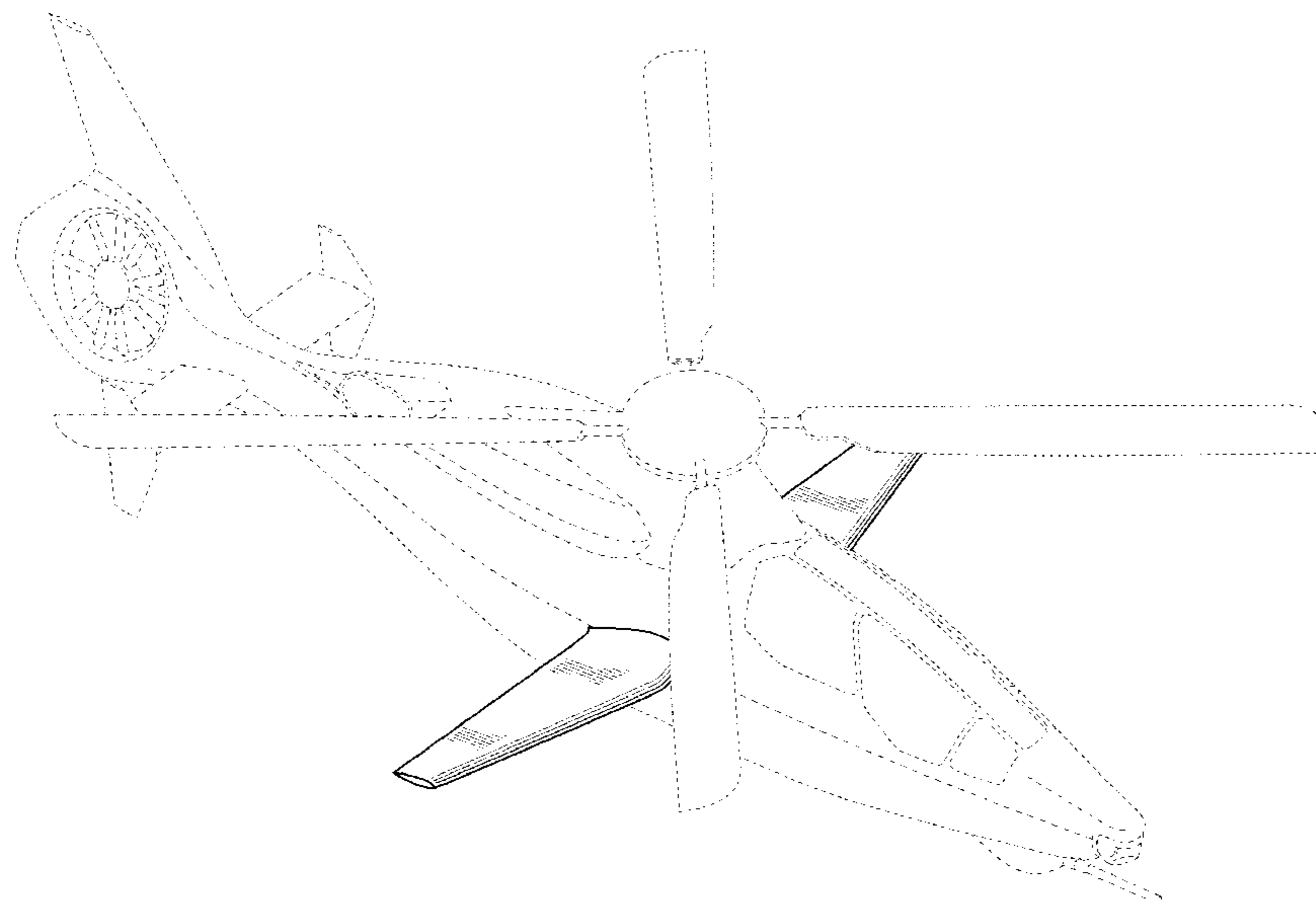
The ornamental design for a pair of aircraft wings, as shown and described.

DESCRIPTION

FIG. 1 is a perspective view of a pair of aircraft wings;
FIG. 2 is a top plan view of the pair of aircraft wings of FIG. 1;
FIG. 3 is a bottom plan view of the pair of aircraft wings of FIG. 1;
FIG. 4 is a right side elevation view of the pair of aircraft wings of FIG. 1;
FIG. 5 is a left side elevation view of the pair of aircraft wings of FIG. 1;
FIG. 6 is a front elevation view of the pair of aircraft wings of FIG. 1; and,
FIG. 7 is a rear elevation view of the pair of aircraft wings of FIG. 1.

The broken lines in the drawings represent unclaimed environmental subject matter and form no part of the claim.

1 Claim, 6 Drawing Sheets



(56)

References Cited

U.S. PATENT DOCUMENTS

D801,222	S	*	10/2017	Zhou	D12/16.1
D809,448	S	*	2/2018	Schmiderer	D12/344
D809,970	S	*	2/2018	Zhou	D12/16.1
D810,621	S	*	2/2018	Sadek	D12/16.1
D818,931	S	*	5/2018	Schmiderer	D12/345
D830,229	S	*	10/2018	Lutterodt	D12/16.1
D830,896	S	*	10/2018	Lutterodt	D12/16.1
D870,639	S	*	12/2019	Ivans	D12/328
10,611,479	B1	*	4/2020	Ivans	B64D 7/06
10,676,187	B2	*	6/2020	Bernhardt	B64C 3/56
2017/0183093	A1	*	6/2017	Bialek	B64C 11/00
2020/0223540	A1	*	7/2020	Ivans	B64C 27/82

* cited by examiner

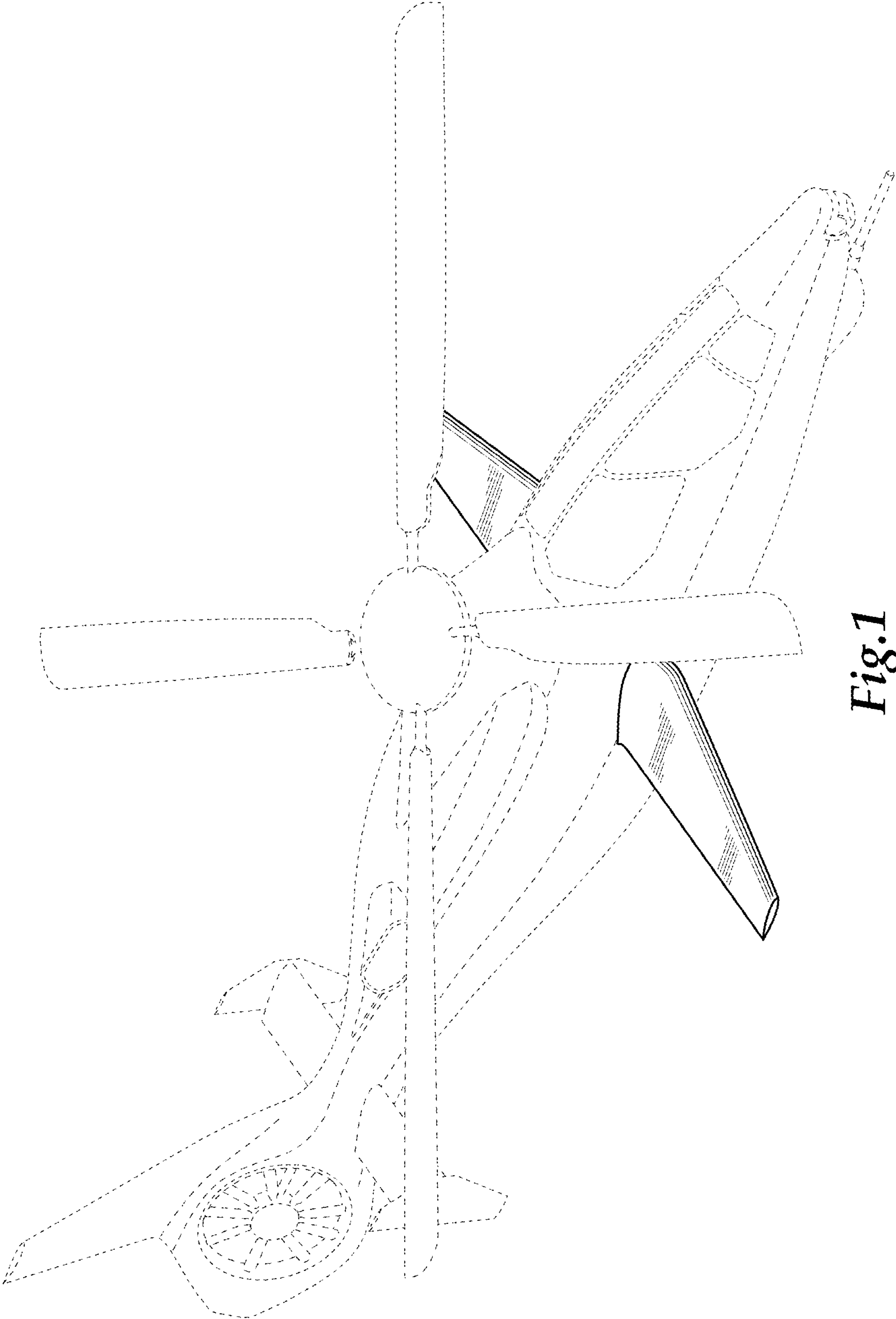


Fig. 1

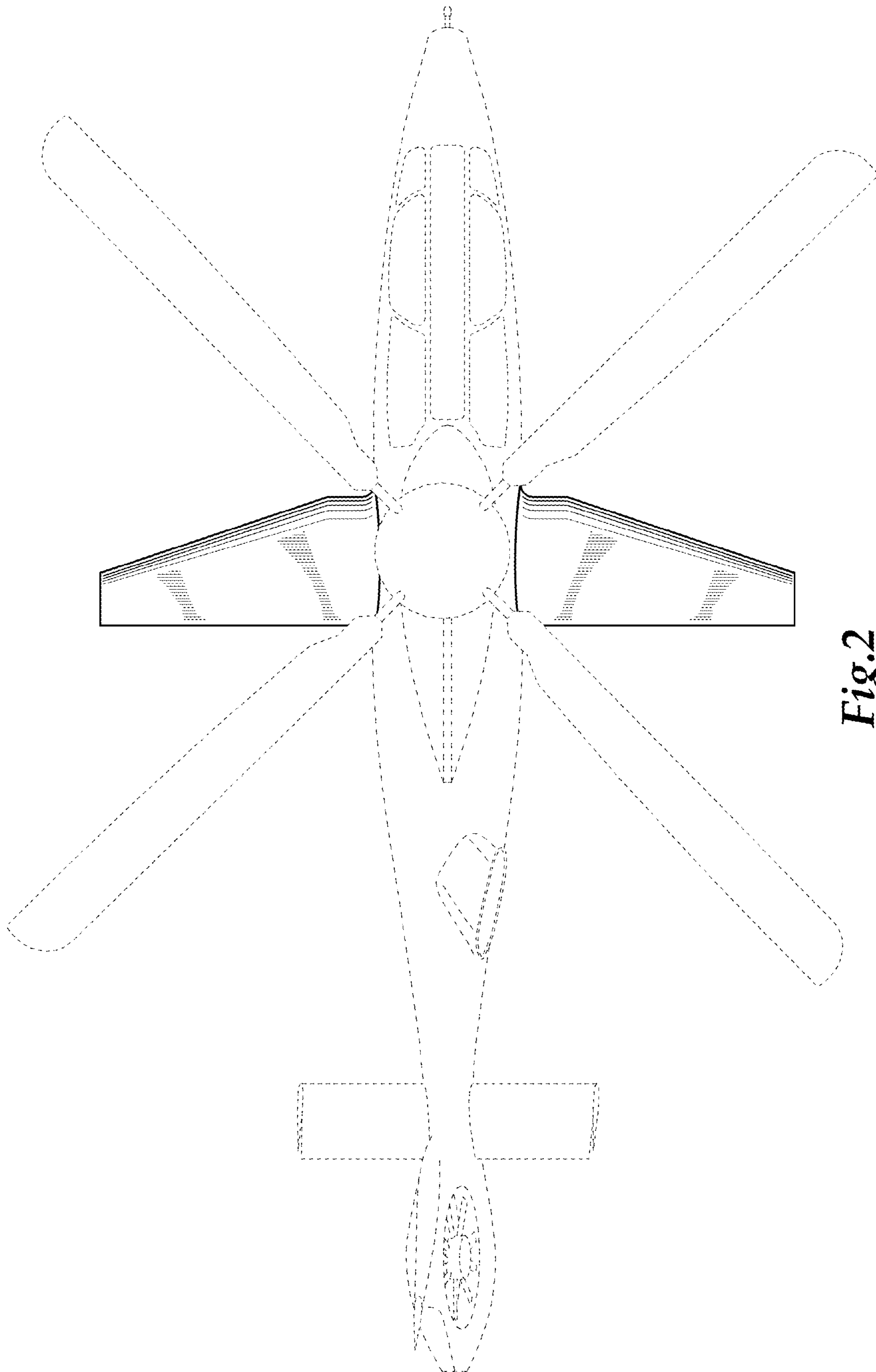


Fig.2

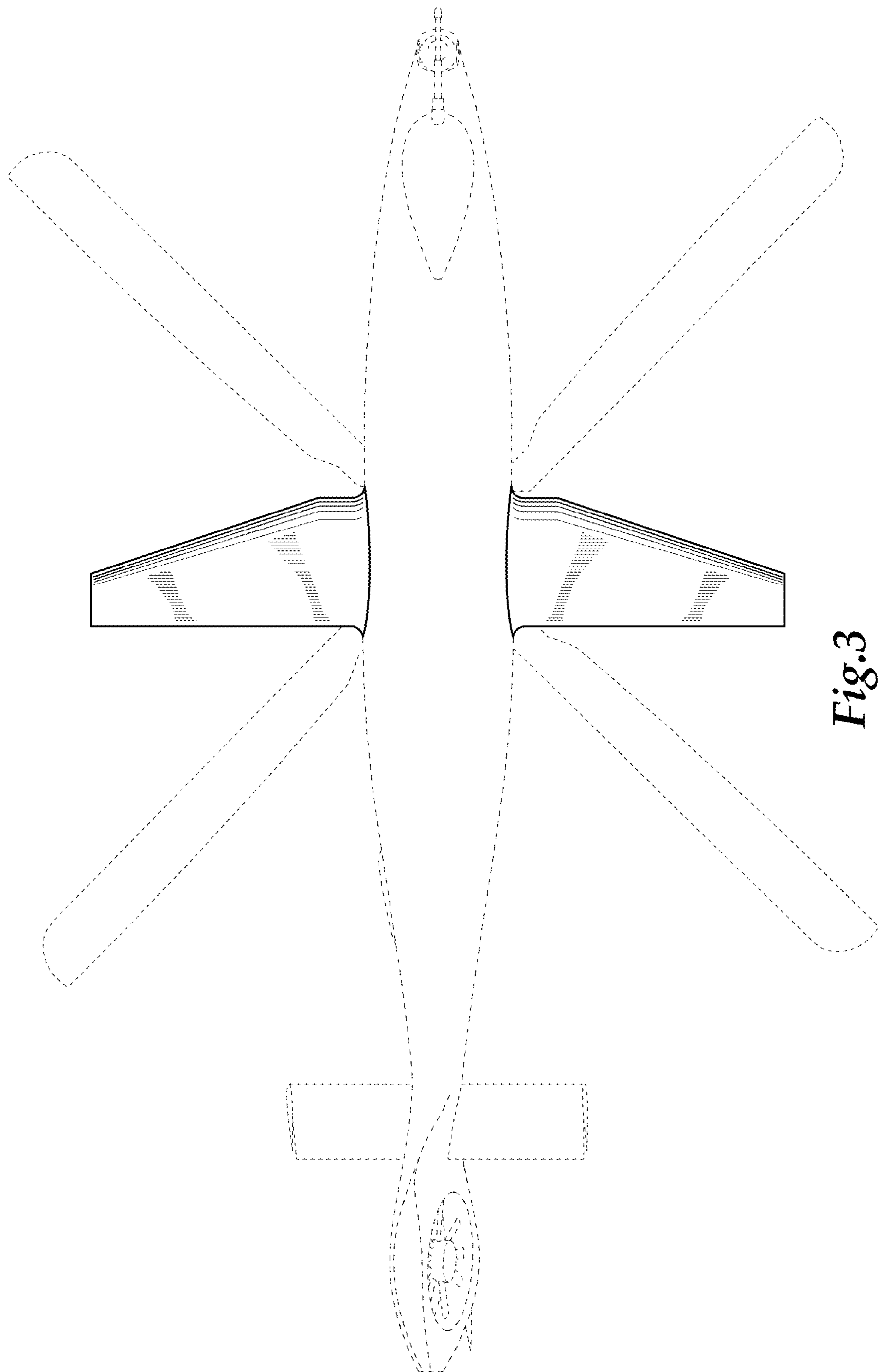


Fig.3

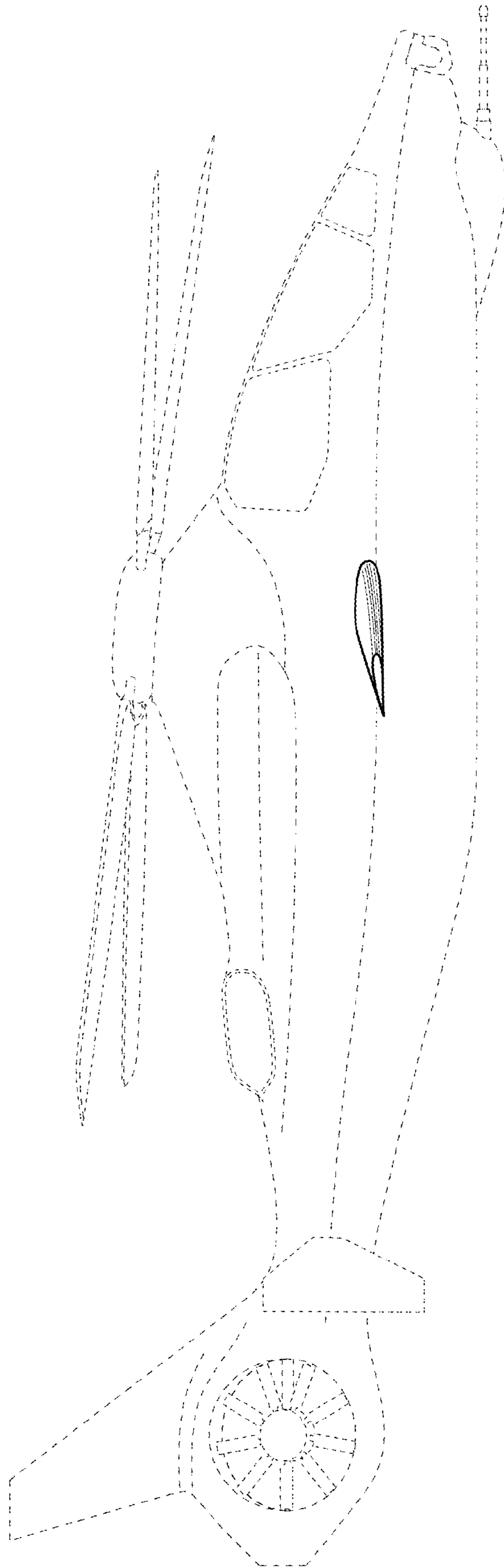


Fig.4

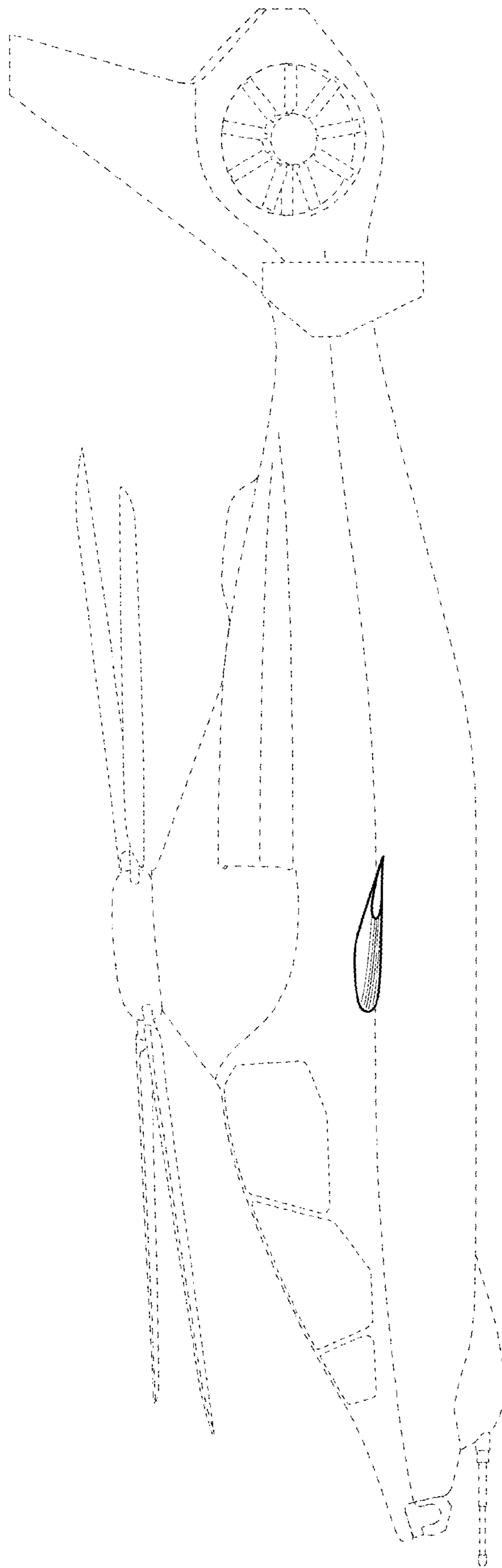


Fig.5

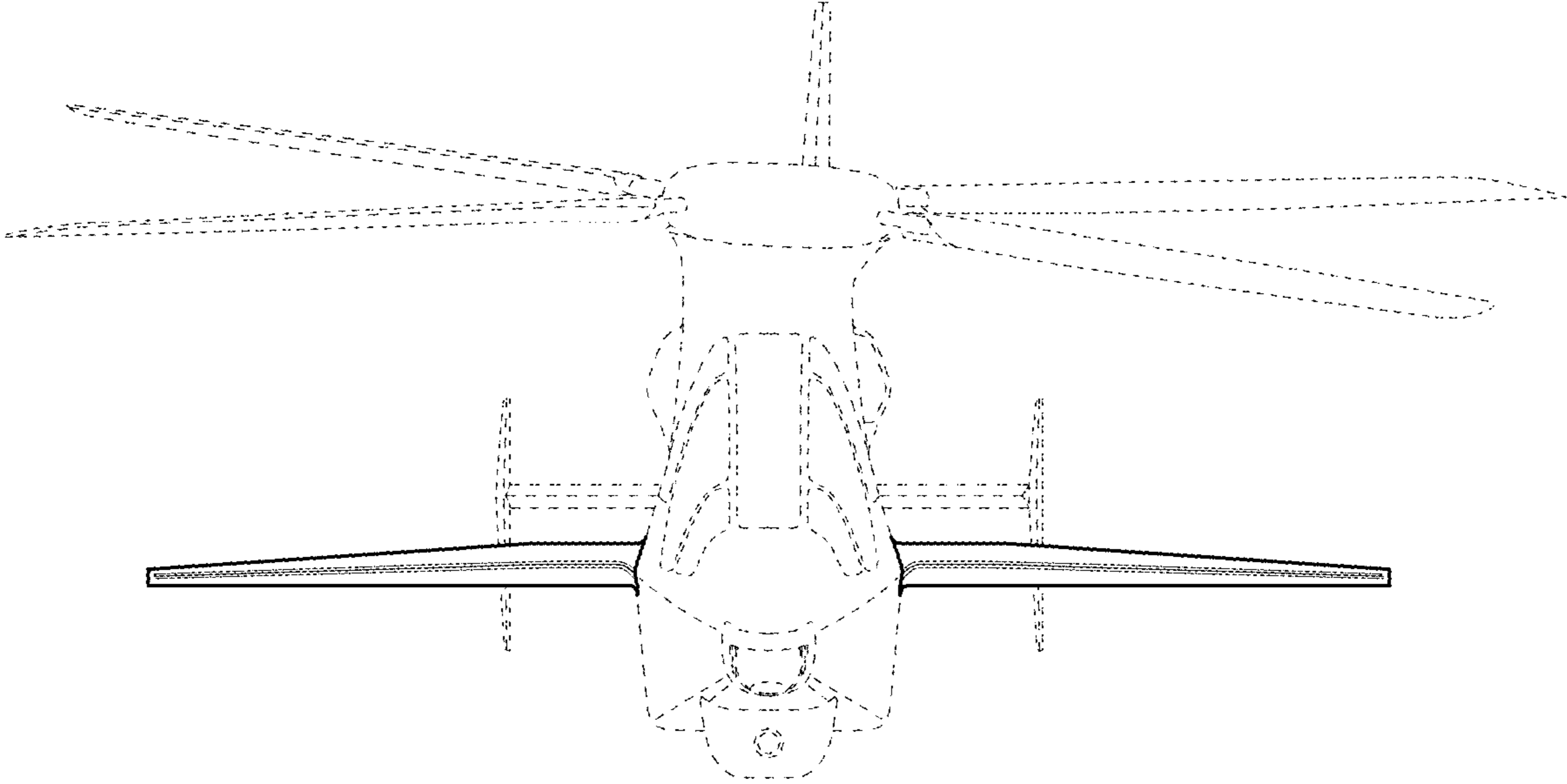


Fig.6

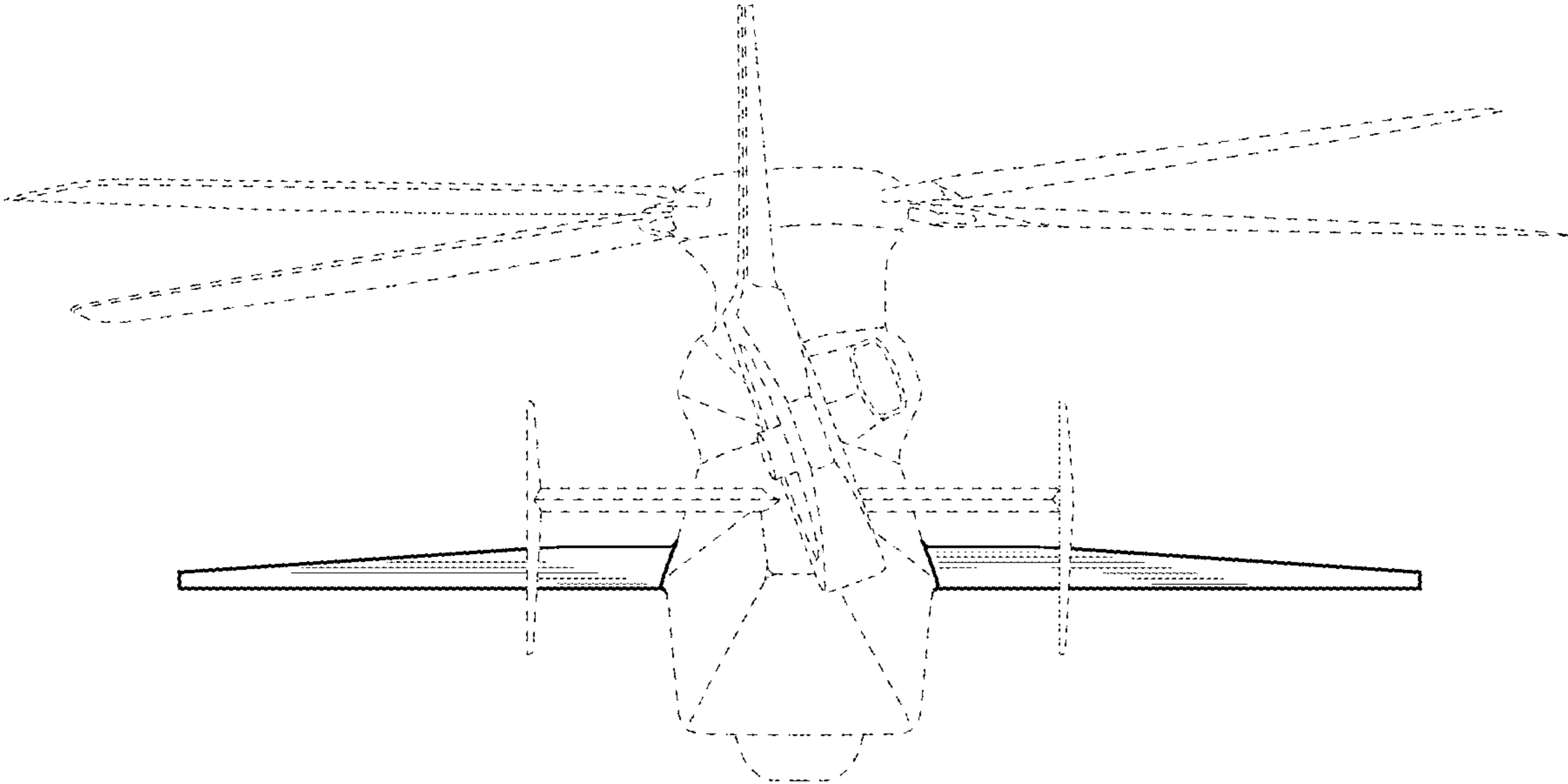


Fig.7