



US00D902120S

(12) **United States Design Patent**  
**Wells**

(10) **Patent No.:** **US D902,120 S**

(45) **Date of Patent:** **\*\* Nov. 17, 2020**

(54) **PANEL INSERT**

(71) Applicant: **The Young Engineers, Inc.**, Lake Forest, CA (US)

(72) Inventor: **Patrick W. Wells**, Irvine, CA (US)

(73) Assignee: **The Young Engineers, Inc.**, Lake Forest, CA (US)

(\*\*) Term: **15 Years**

(21) Appl. No.: **29/652,086**

(22) Filed: **May 7, 2020**

(51) **LOC (12) Cl.** ..... **12-07**

(52) **U.S. Cl.**  
USPC ..... **D12/345**; D8/382

(58) **Field of Classification Search**  
USPC ..... D8/71, 349, 354, 382, 397, 394, 396;  
D12/345, 400, 223  
CPC ..... F16B 37/044; F16B 5/01; F16B 37/043;  
F16B 37/061; F16B 39/30; F16B 37/122;  
F16B 37/042; F16B 39/08; B29C 66/474  
See application file for complete search history.

(56) **References Cited**

**U.S. PATENT DOCUMENTS**

2,235,078 A	3/1941	Meisterhans	
2,716,434 A *	8/1955	Crowther	F16B 39/286 411/106
2,764,886 A	10/1956	Wiesmann	
3,019,865 A	2/1962	Rohe	
3,213,914 A	10/1965	Baumle et al.	
3,313,078 A	4/1967	Rohe	
3,339,609 A	9/1967	Cushman	
3,493,025 A	2/1970	La Londe et al.	
3,504,723 A	4/1970	Cushman et al.	
D218,674 S	9/1970	Ernest	
3,621,557 A	11/1971	Cushman et al.	
3,646,981 A	3/1972	Barnes	

3,646,982 A	3/1972	Cushman	
3,662,805 A	5/1972	Sygnator	
3,695,324 A	10/1972	Gulistan	
D229,610 S *	12/1973	Shinjo	D8/397
3,964,531 A	6/1976	Schenk	

(Continued)

*Primary Examiner* — Sandra Snapp

*Assistant Examiner* — Ieisha N Price

(74) *Attorney, Agent, or Firm* — Joseph E. Mueth

(57) **CLAIM**

The ornamental design for a panel insert, as shown and described.

**DESCRIPTION**

FIG. 1 is a perspective view of a panel insert fully assembled.

FIG. 2 is a front view of the panel insert of FIG. 1.

FIG. 3 is a back view of the panel insert of FIG. 1.

FIG. 4 is a left side view of the panel insert of FIG. 1.

FIG. 5 is a right side view of the panel insert of FIG. 1.

FIG. 6 is a top plan view of the panel insert of FIG. 1.

FIG. 7 is a bottom plan view of the panel insert of FIG. 1.

FIG. 8 is a perspective view of the panel insert of FIG. 1 shown partially disassembled.

FIG. 9 is a front view of the panel insert as shown in FIG. 8.

FIG. 10 is a back view of the panel insert as shown in FIG. 8.

FIG. 11 is a left view of the panel insert as shown in FIG. 8.

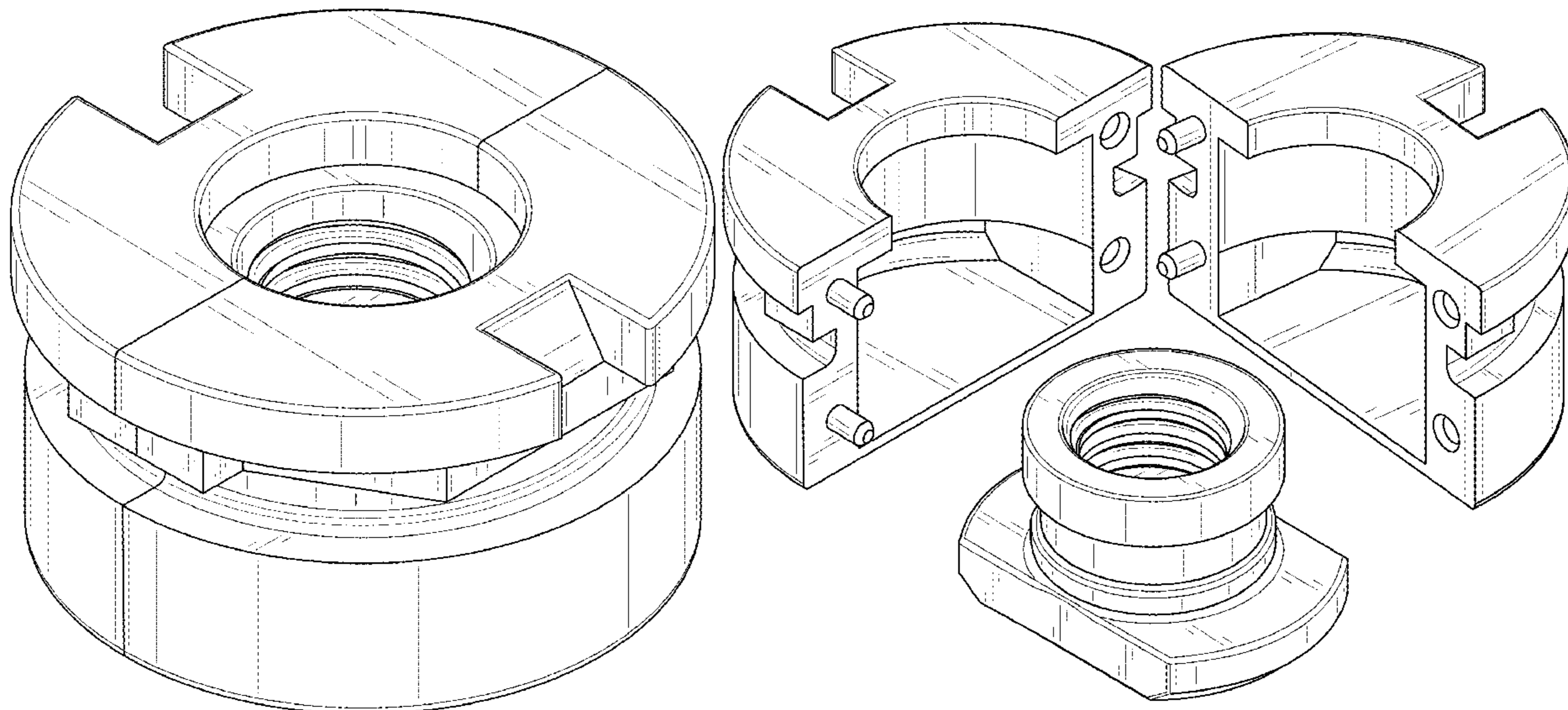
FIG. 12 is a right view of the panel insert as shown in FIG. 8.

FIG. 13 is a top plan view of the panel insert as shown in FIG. 8.

FIG. 14 is a bottom plan view of the panel insert as shown in FIG. 8; and,

FIG. 15 is a perspective view of a panel insert of FIG. 1 shown completely disassembled.

**1 Claim, 15 Drawing Sheets**



(56)

References Cited

U.S. PATENT DOCUMENTS

4,121,963 A 10/1978 Yardley et al.  
 4,185,438 A 1/1980 Fischer  
 4,227,561 A 10/1980 Molina  
 4,341,053 A 7/1982 Dettfurth et al.  
 4,417,028 A 11/1983 Azevedo  
 4,428,705 A 1/1984 Gelhard  
 D278,594 S 4/1985 Lye  
 4,509,308 A 4/1985 Dettfurth et al.  
 4,752,171 A 6/1988 Pliml, Jr.  
 4,812,193 A 3/1989 Gauron  
 4,817,264 A 4/1989 Worthing  
 4,846,612 A 7/1989 Worthing  
 4,902,180 A 2/1990 Gauron  
 4,973,208 A 11/1990 Gauron  
 4,993,902 A 2/1991 Hellon  
 D322,929 S 1/1992 Abbestam et al.  
 5,082,405 A 1/1992 Witten  
 5,092,725 A 3/1992 Aittama  
 5,159,782 A \* 11/1992 Sales ..... E05B 17/0012  
 206/325  
 5,240,543 A 8/1993 Fetterhoff et al.  
 5,302,069 A 4/1994 Toth et al.  
 5,378,099 A 1/1995 Gauron  
 5,431,578 A 7/1995 Wayne  
 5,437,750 A 8/1995 Rinse et al.  
 D364,882 S 12/1995 Junkers  
 5,553,984 A 9/1996 Smith  
 5,622,208 A 4/1997 Vinson  
 5,632,582 A 5/1997 Gauron  
 5,840,147 A 11/1998 Grimm  
 5,840,149 A 11/1998 Tokunaga et al.  
 5,843,265 A 12/1998 Grimm  
 5,947,518 A 9/1999 Redman et al.  
 6,096,256 A 8/2000 Aretz  
 6,146,071 A 11/2000 Norkus et al.  
 6,153,035 A 11/2000 Van Laeken  
 6,217,695 B1 4/2001 Goldberg et al.  
 6,264,412 B1 7/2001 Nakamura et al.  
 6,273,985 B1 8/2001 DeLouise et al.  
 6,278,562 B1 8/2001 Lovett  
 6,299,596 B1 10/2001 Ding  
 D452,428 S 12/2001 Shinjo et al.  
 D453,000 S 1/2002 Shinjo et al.  
 6,350,093 B1 2/2002 Petersen et al.  
 D454,057 S 3/2002 Pamer et al.  
 D457,054 S 5/2002 Pamer et al.  
 6,485,130 B2 11/2002 DeLouise et al.  
 6,488,460 B1 12/2002 Smith et al.  
 6,692,206 B1 2/2004 Clinch et al.  
 6,733,221 B2 5/2004 Linger  
 6,758,645 B2 7/2004 Curley, Jr. et al.  
 D499,010 S 11/2004 Velten  
 6,811,363 B1 11/2004 Minnich  
 D519,530 S 4/2006 Thysell et al.  
 D520,856 S 5/2006 Osiecki et al.  
 D520,859 S 5/2006 Osiecki et al.  
 7,134,821 B2 11/2006 Clinch et al.

D534,796 S 1/2007 Falkenburg  
 7,192,231 B2 3/2007 Blackaby  
 7,195,436 B1 \* 3/2007 Stephen ..... F16B 5/01  
 411/373  
 D545,584 S 7/2007 Hunziker  
 D549,091 S 8/2007 McIntyre et al.  
 D551,269 S 9/2007 Burke, III  
 D556,017 S \* 11/2007 Hutter, III ..... D8/354  
 D557,132 S 12/2007 Shinjo  
 D572,302 S 7/2008 Peavey  
 D604,611 S 11/2009 Ames et al.  
 D634,343 S 3/2011 Burke, III  
 8,029,221 B2 10/2011 Curley, Jr. et al.  
 D662,869 S 7/2012 Ballard  
 D668,919 S 10/2012 Teng  
 8,409,395 B2 \* 4/2013 Schumacher, Jr. .... B64C 1/14  
 156/293  
 D684,455 S 6/2013 Relyea et al.  
 D690,581 S 10/2013 Brander  
 D693,669 S 11/2013 Kousens et al.  
 D703,524 S 4/2014 Sakoda  
 D704,044 S 5/2014 Makino  
 9,003,662 B2 4/2015 Burd et al.  
 9,109,615 B2 8/2015 Cuddy et al.  
 9,234,536 B2 1/2016 Truong et al.  
 D756,207 S \* 5/2016 Tamilvel ..... D8/382  
 D773,270 S \* 12/2016 Moreau ..... D8/71  
 9,702,394 B2 7/2017 Barney et al.  
 9,719,547 B2 \* 8/2017 Wilkerson ..... F16B 33/002  
 9,775,427 B2 \* 10/2017 Moreau ..... A45F 5/00  
 9,822,808 B2 11/2017 Rajeev  
 D836,976 S \* 1/2019 Reese ..... D7/396.2  
 D860,772 S \* 9/2019 Jiang ..... D8/394  
 2004/0005205 A1 1/2004 Yake et al.  
 2005/0169727 A1 8/2005 Cosenza  
 2005/0220562 A1 \* 10/2005 Blackaby ..... F16B 37/044  
 411/111  
 2007/0297869 A1 \* 12/2007 Kunda ..... F16B 5/025  
 411/108  
 2008/0292425 A1 11/2008 Pineiros et al.  
 2013/0276292 A1 \* 10/2013 Kousens ..... F16B 37/044  
 29/525.02  
 2013/0326860 A1 \* 12/2013 Endt ..... B23K 31/02  
 29/525.02  
 2014/0064873 A1 \* 3/2014 Kevin ..... F16B 37/044  
 411/103  
 2014/0205368 A1 \* 7/2014 Kramer ..... F16B 5/01  
 403/267  
 2016/0031184 A1 \* 2/2016 Lewis ..... B64C 1/066  
 428/136  
 2016/0123524 A1 \* 5/2016 Burkhard ..... B26D 3/065  
 248/346.03  
 2016/0186796 A1 6/2016 Verdier  
 2016/0279920 A1 \* 9/2016 Burkhard ..... B32B 7/12  
 2017/0167523 A1 6/2017 Davis  
 2017/0268560 A1 9/2017 Barney et al.  
 2018/0038399 A1 2/2018 Fischer et al.  
 2019/0316624 A1 \* 10/2019 Gauron ..... F16B 37/064

\* cited by examiner



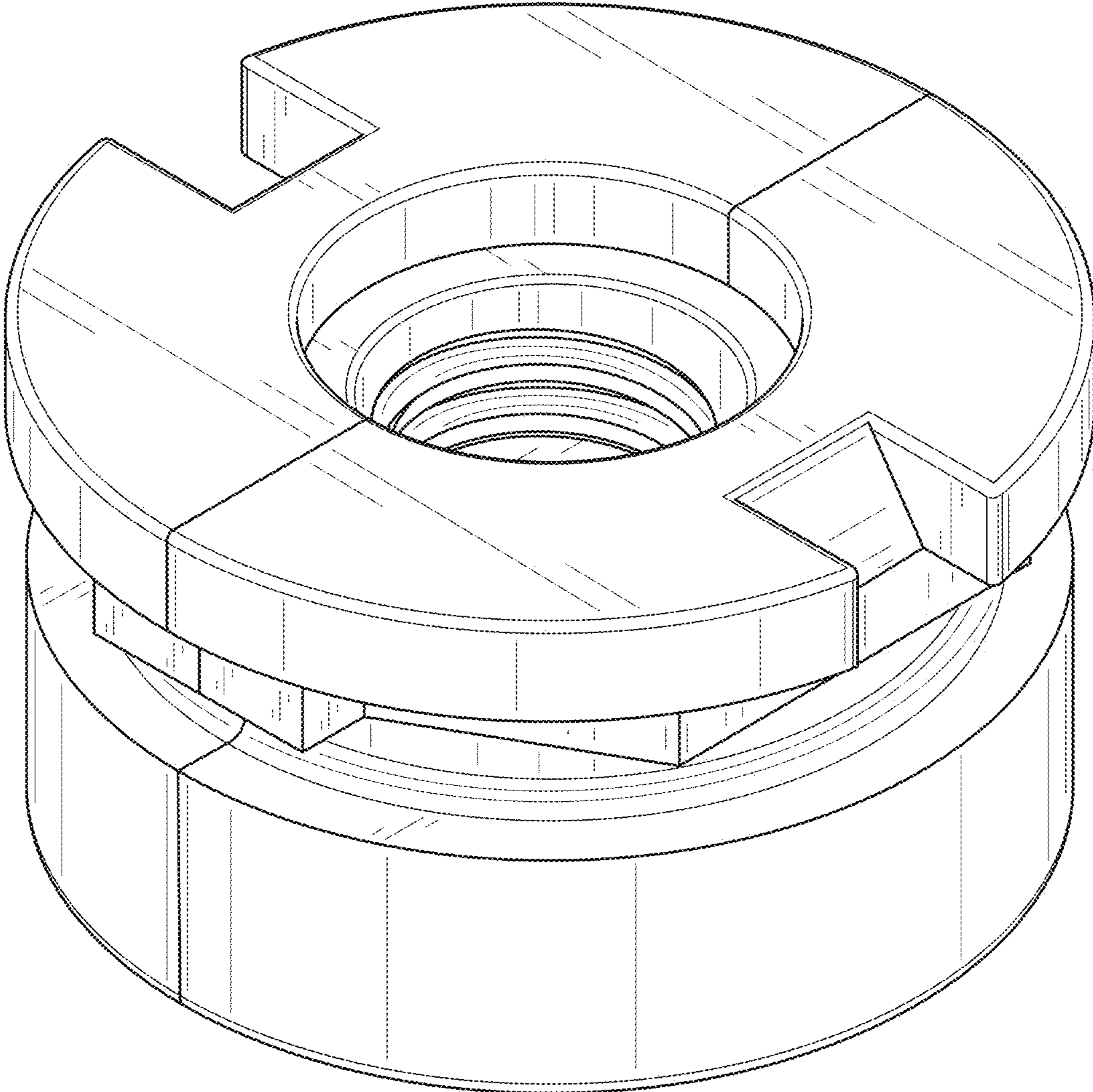


FIG. 1

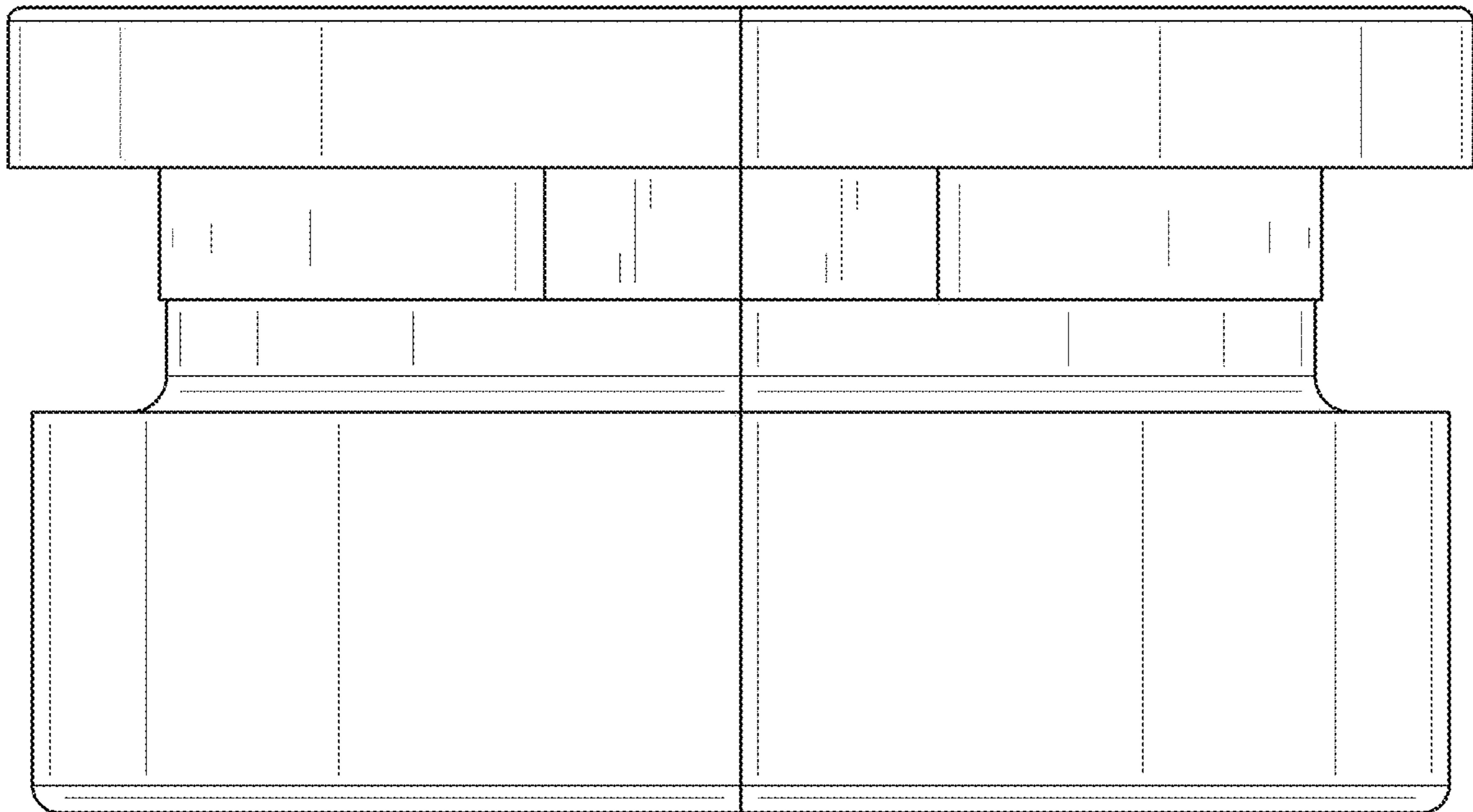


FIG. 2

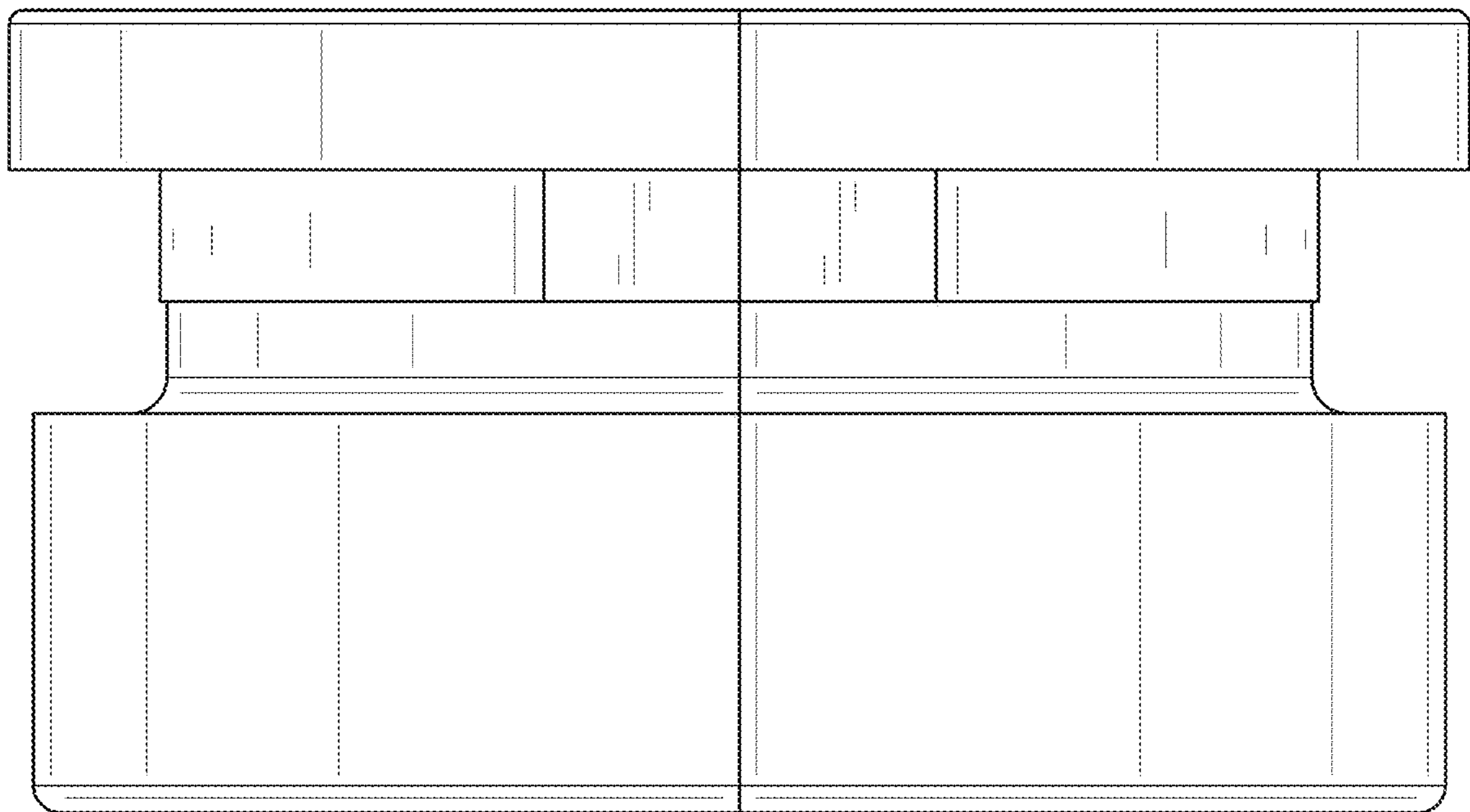


FIG. 3

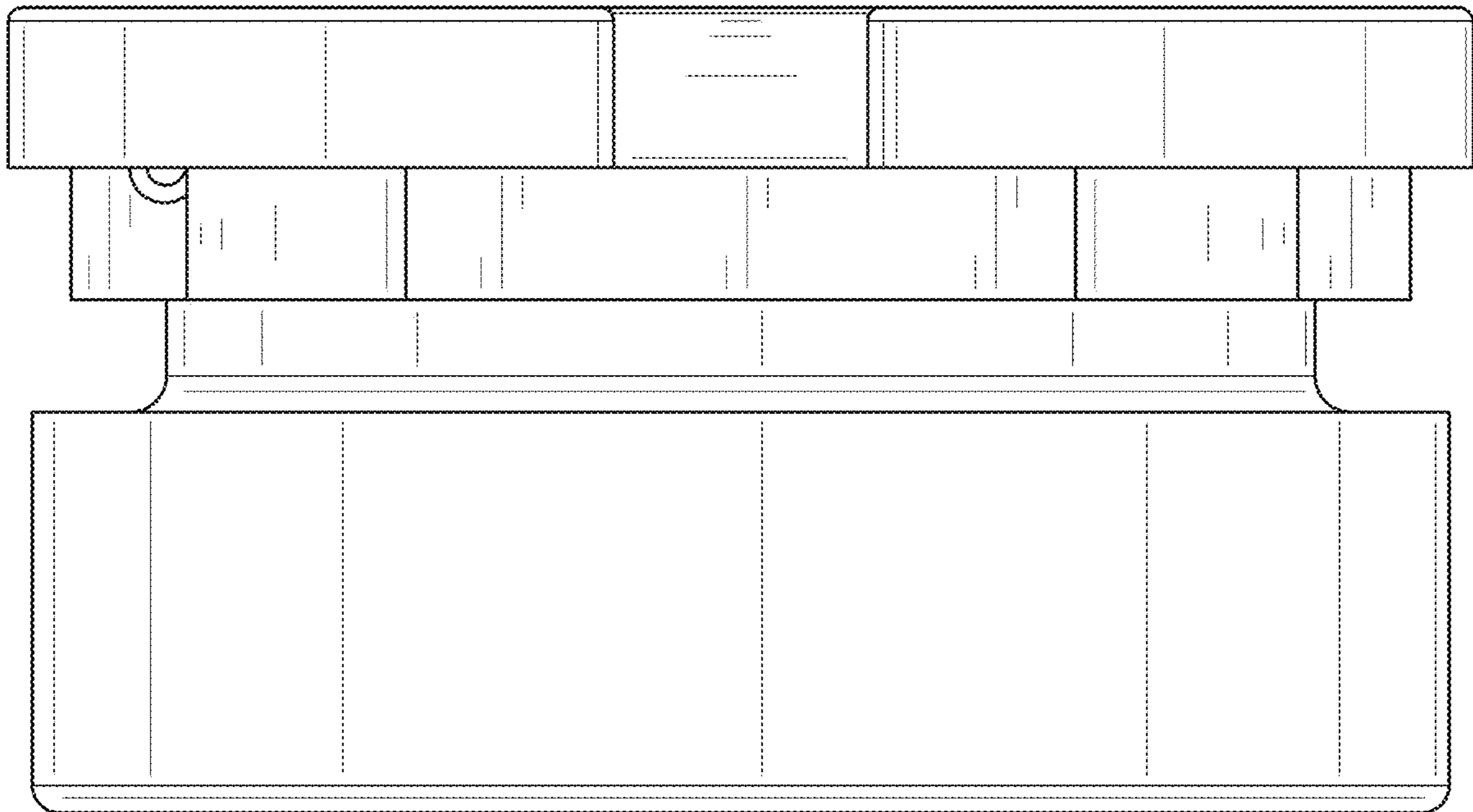


FIG. 4

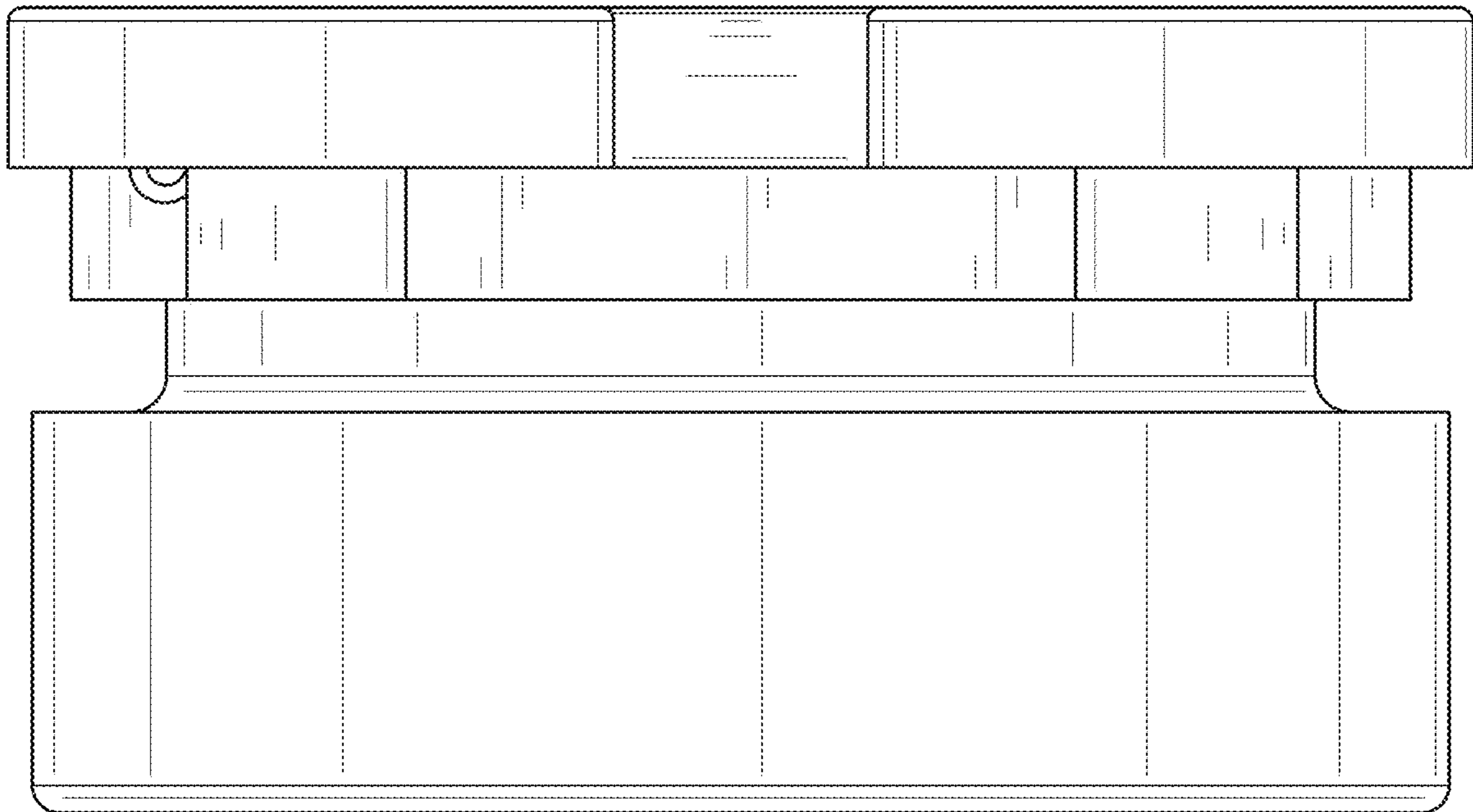


FIG. 5

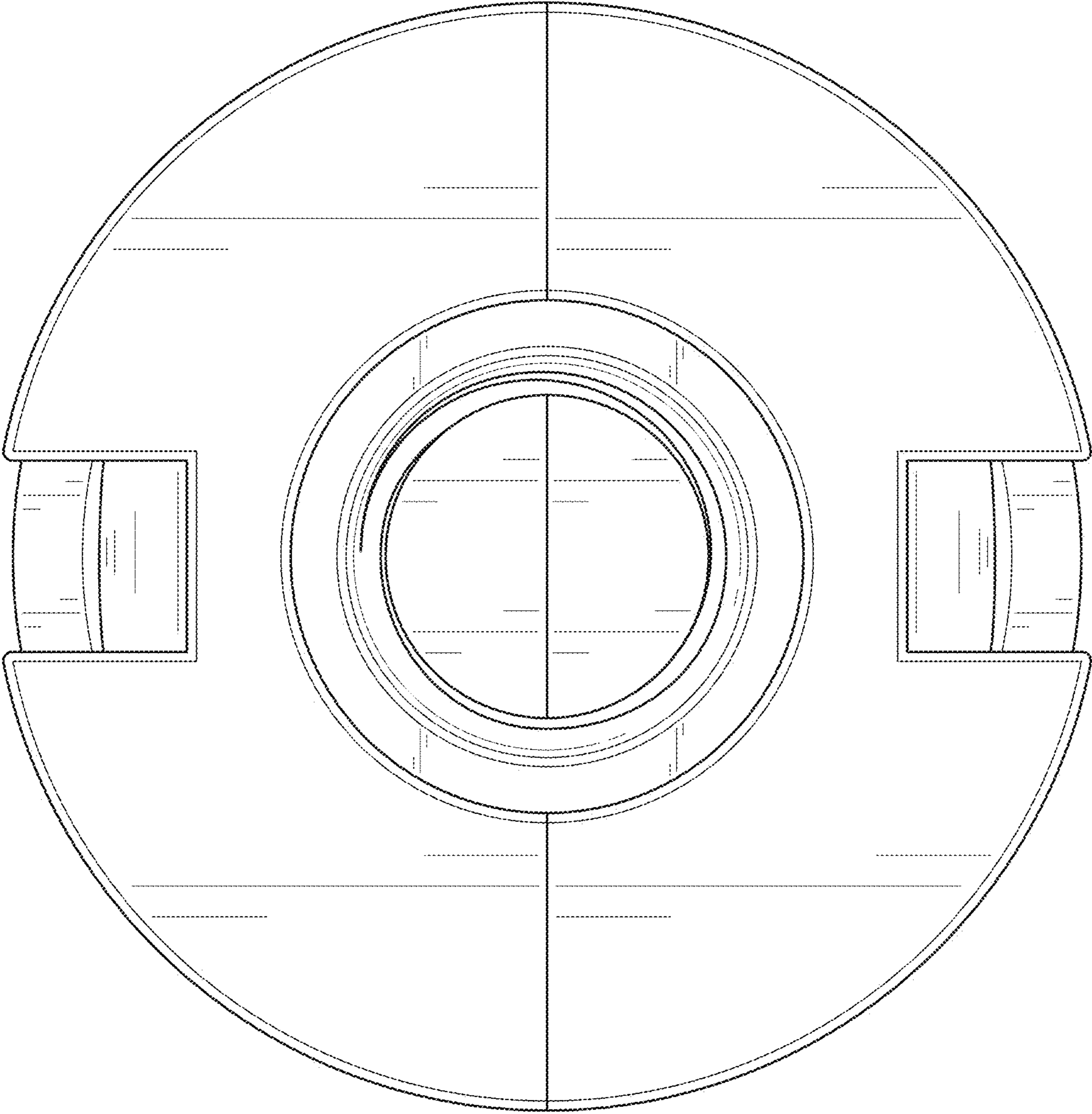


FIG. 6



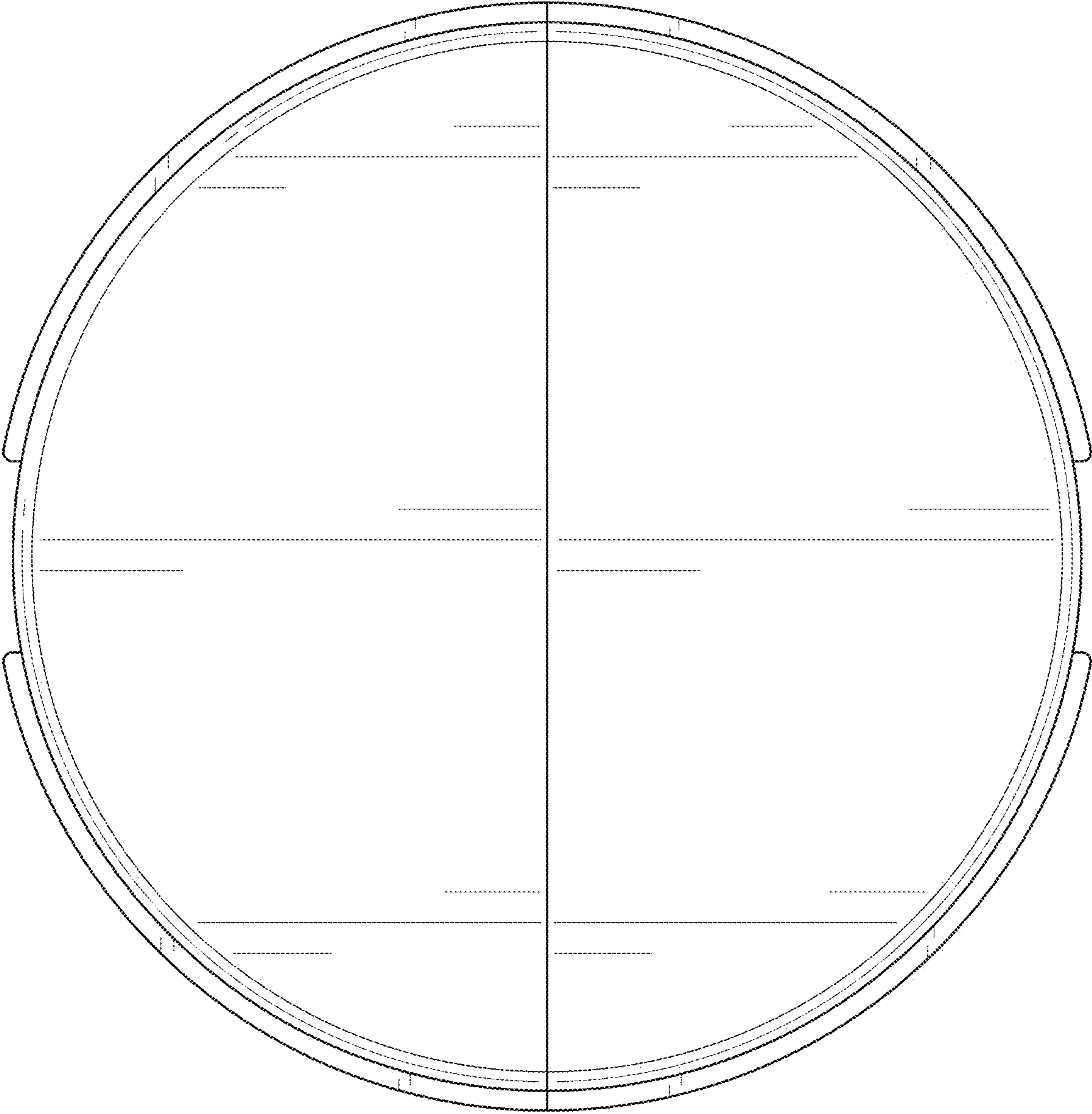


FIG. 7

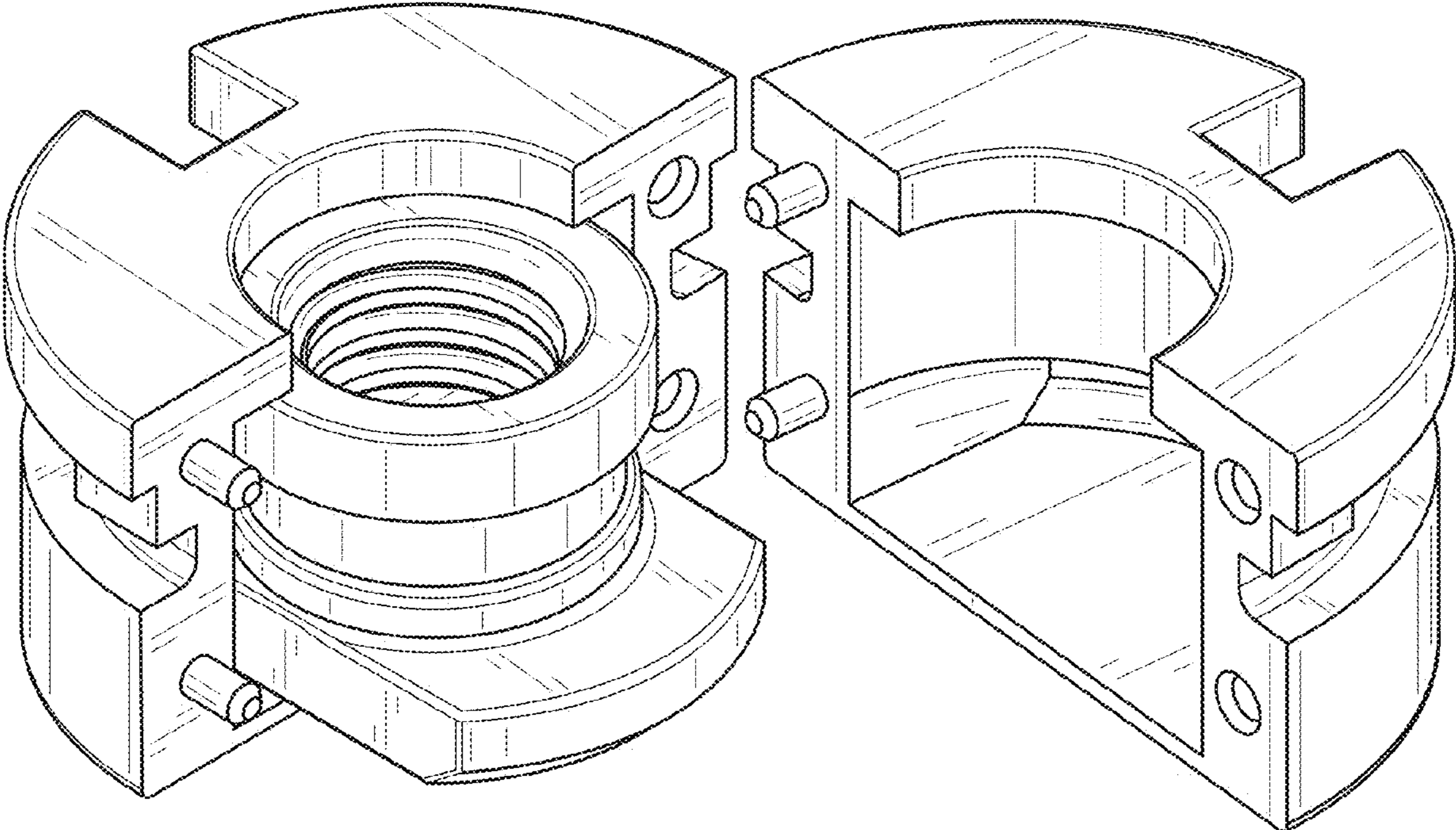


FIG. 8

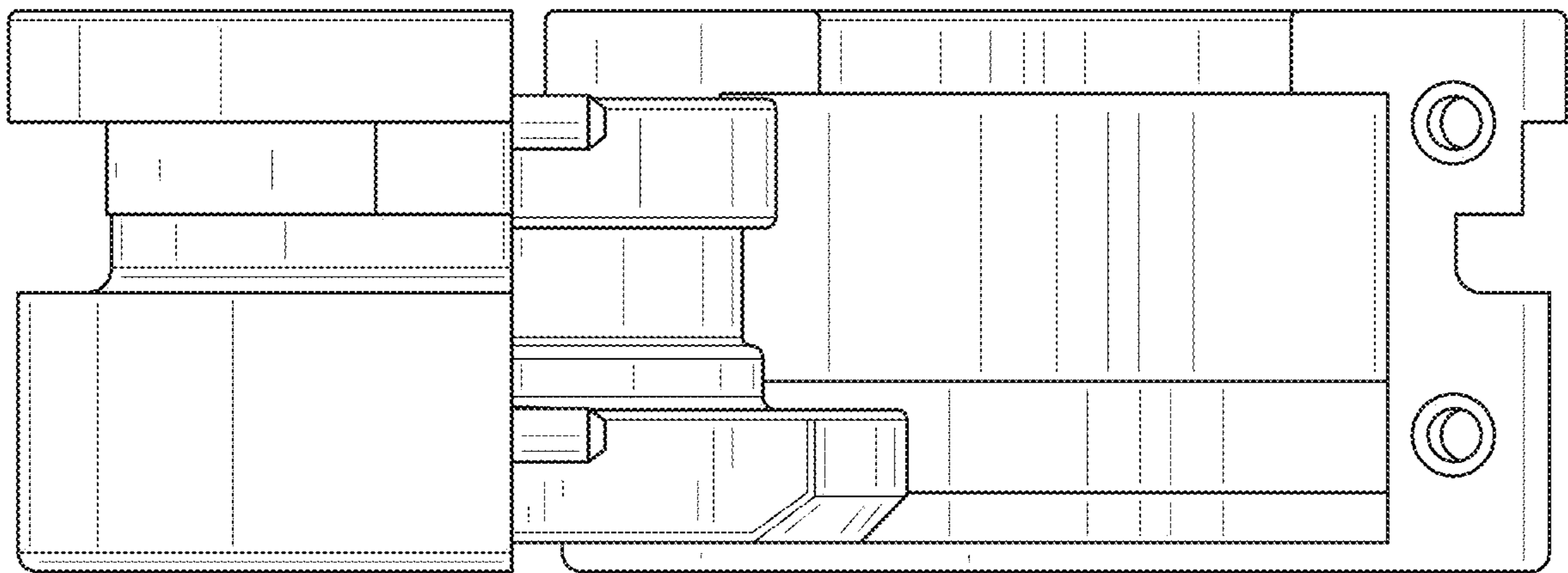


FIG. 9

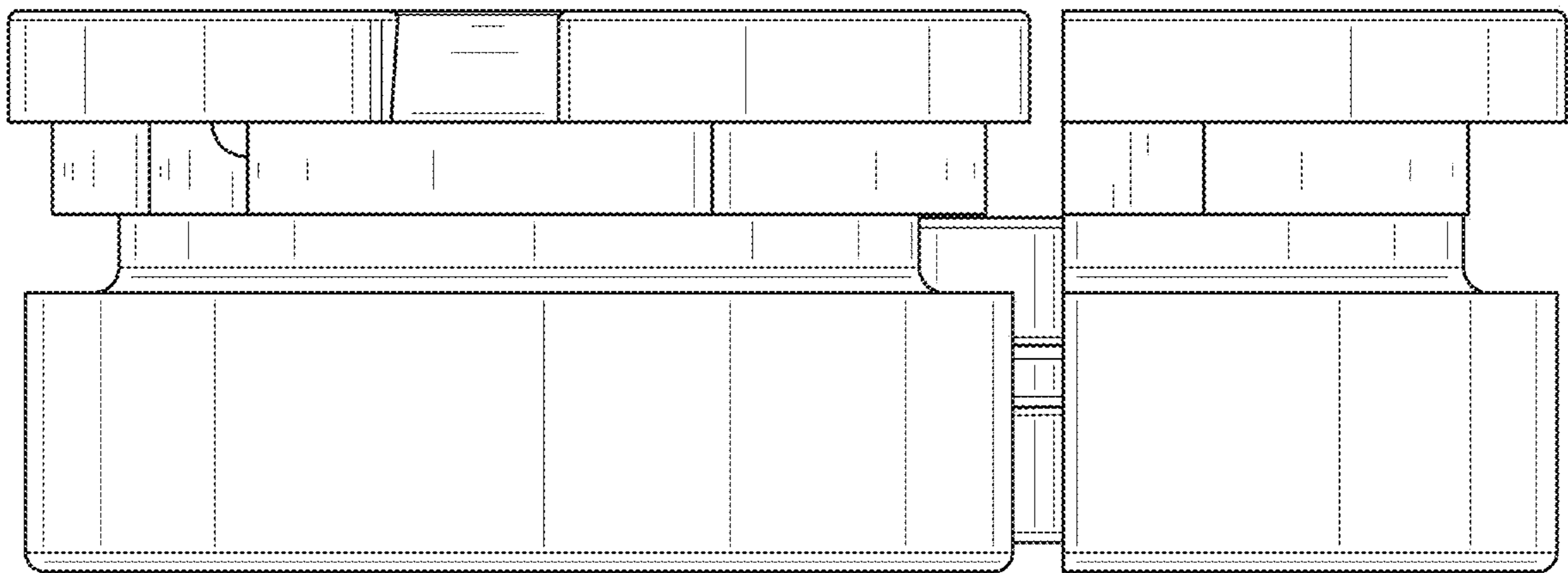


FIG. 10



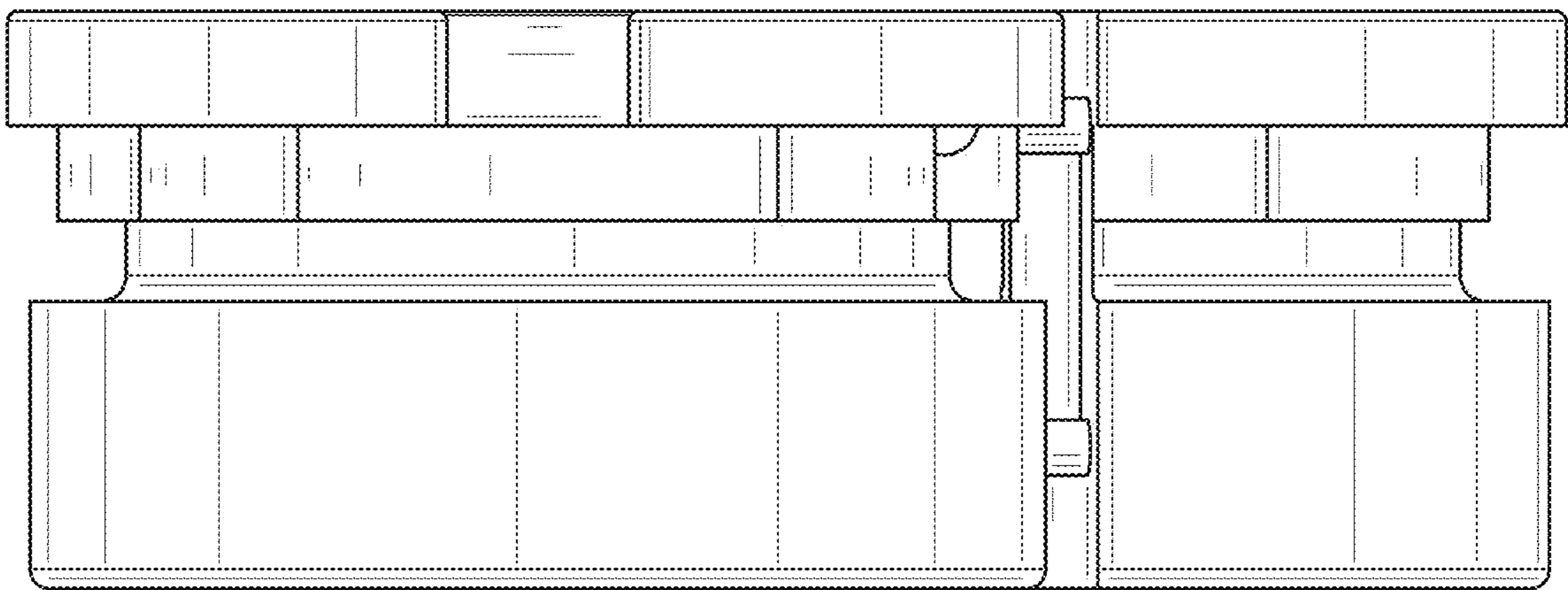


FIG. 11

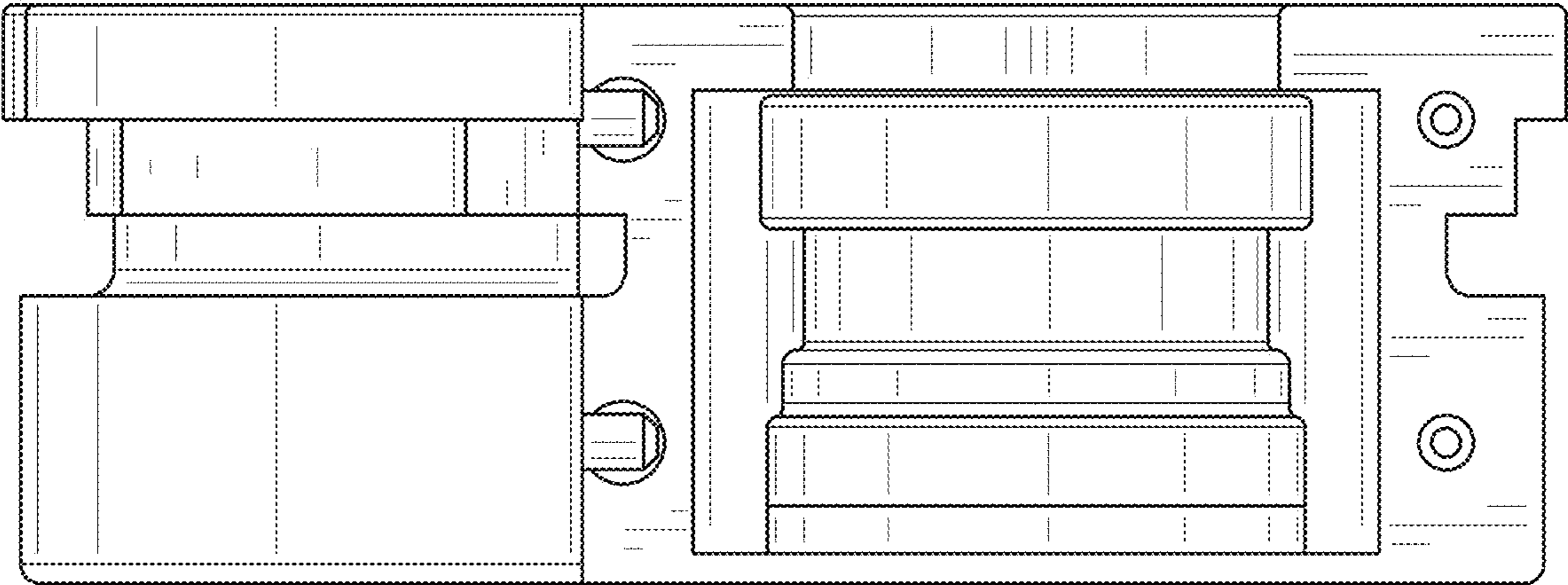


FIG. 12

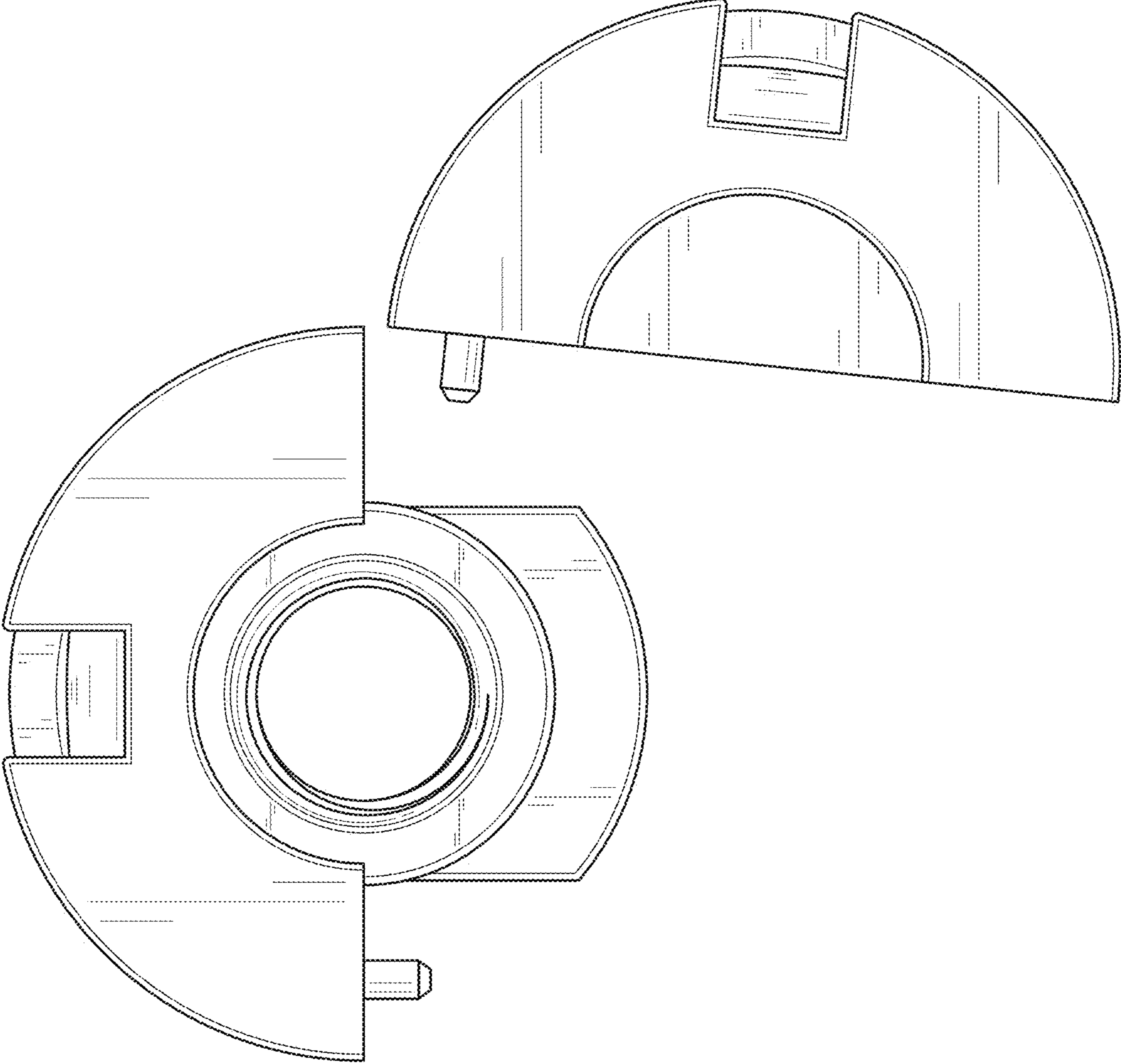


FIG. 13

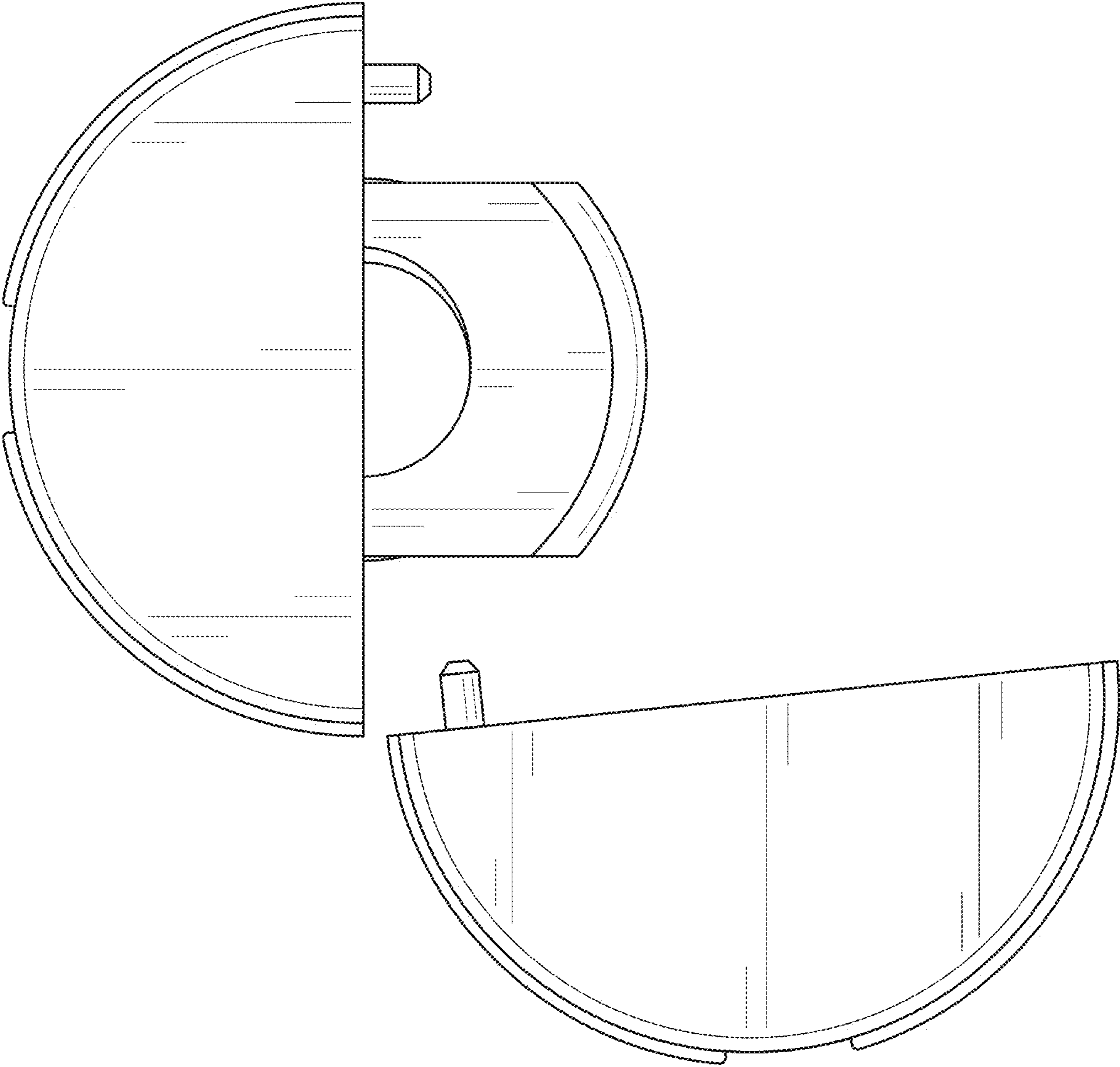


FIG. 14



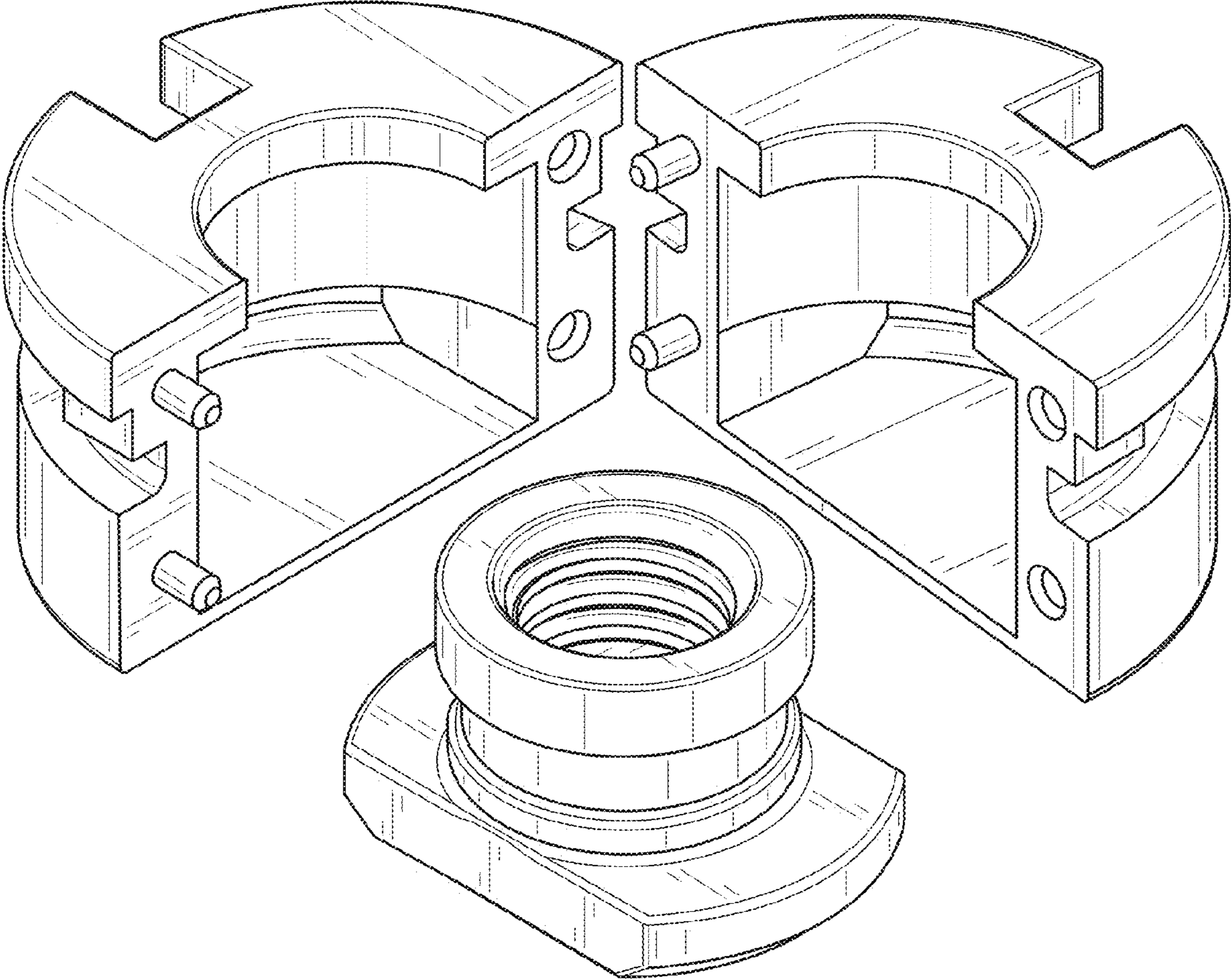


FIG. 15