



US00D902116S

(12) **United States Design Patent**
Han

(10) **Patent No.:** **US D902,116 S**

(45) **Date of Patent:** **** Nov. 17, 2020**

(54) **AUTOMOTIVE WHEEL**

(71) Applicant: **Donnie Han**, Corona, CA (US)

(72) Inventor: **Donnie Han**, Corona, CA (US)

(**) Term: **15 Years**

(21) Appl. No.: **29/703,377**

(22) Filed: **Aug. 27, 2019**

(51) **LOC (12) Cl.** **12-16**

(52) **U.S. Cl.**
USPC **D12/209; D21/563**

(58) **Field of Classification Search**
USPC D12/204-213; D21/563
CPC B60B 7/00; B60B 7/02; B60B 7/04; B60B
7/01; B60B 7/06; B60B 3/02; B60B 3/04;
B60B 3/06; B60B 3/10; B60B 1/00;
B60B 1/08; B60B 1/10; B60B 1/12

See application file for complete search history.

(56) **References Cited**

U.S. PATENT DOCUMENTS

D353,571 S * 12/1994 Braungart D12/211
D395,270 S * 6/1998 Baumgartner D12/211

D398,898 S * 9/1998 Baumgartner D12/211
D419,948 S * 2/2000 Cahyono D12/211
D756,282 S * 5/2016 Zhao D12/209
D800,629 S * 10/2017 Tran D12/209
D824,316 S * 7/2018 Tran D12/209
D825,423 S * 8/2018 Henderson D12/209
D826,819 S * 8/2018 Chung D12/209
D859,265 S * 9/2019 Guidry D12/209
D864,076 S * 10/2019 Han D12/209
D865,616 S * 11/2019 Tran D12/209
D865,626 S * 11/2019 Han D12/209
D881,101 S * 4/2020 Liu D12/209
D886,021 S * 6/2020 Khachatryan D12/209
D891,344 S * 7/2020 Platto D12/209

* cited by examiner

Primary Examiner — Stacia A Cadmus

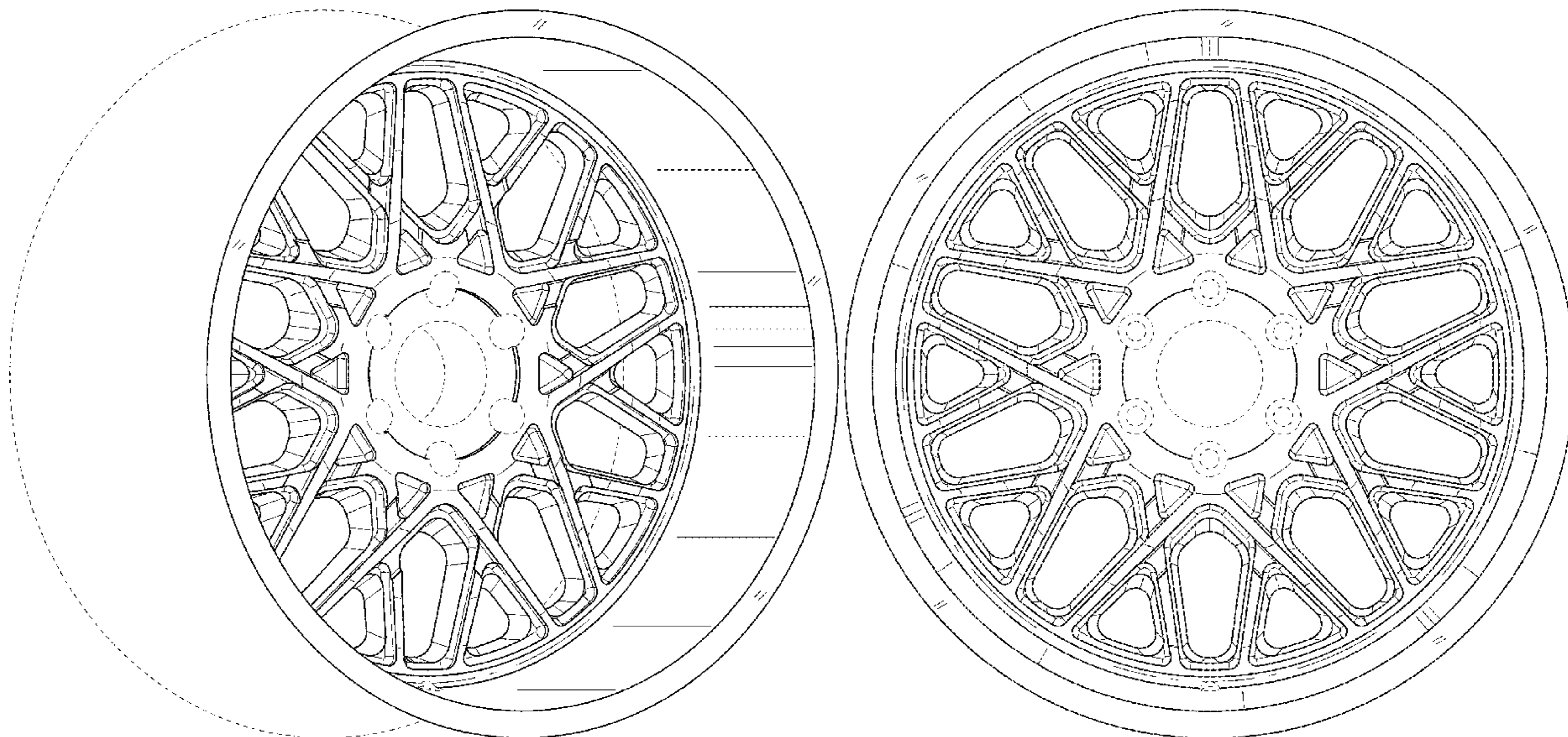
(57) **CLAIM**

The ornamental design for an automotive wheel, as shown and described.

DESCRIPTION

FIG. 1 is a perspective view of an automotive wheel, showing my new design; and, FIG. 2 is a front view thereof. In the drawings, the broken lines depict environmental subject matter and form no part of the claimed design.

1 Claim, 2 Drawing Sheets



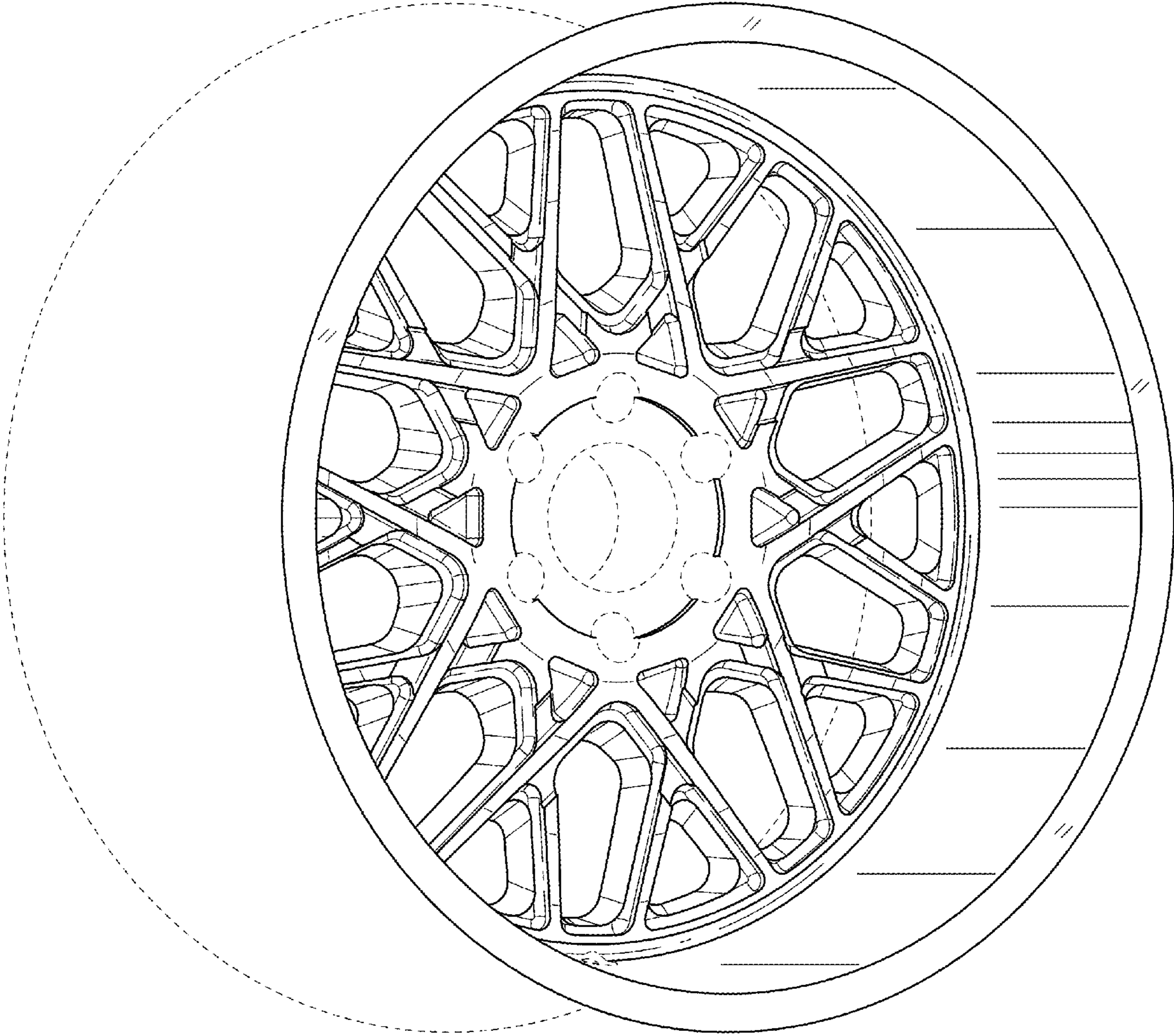


FIGURE 1

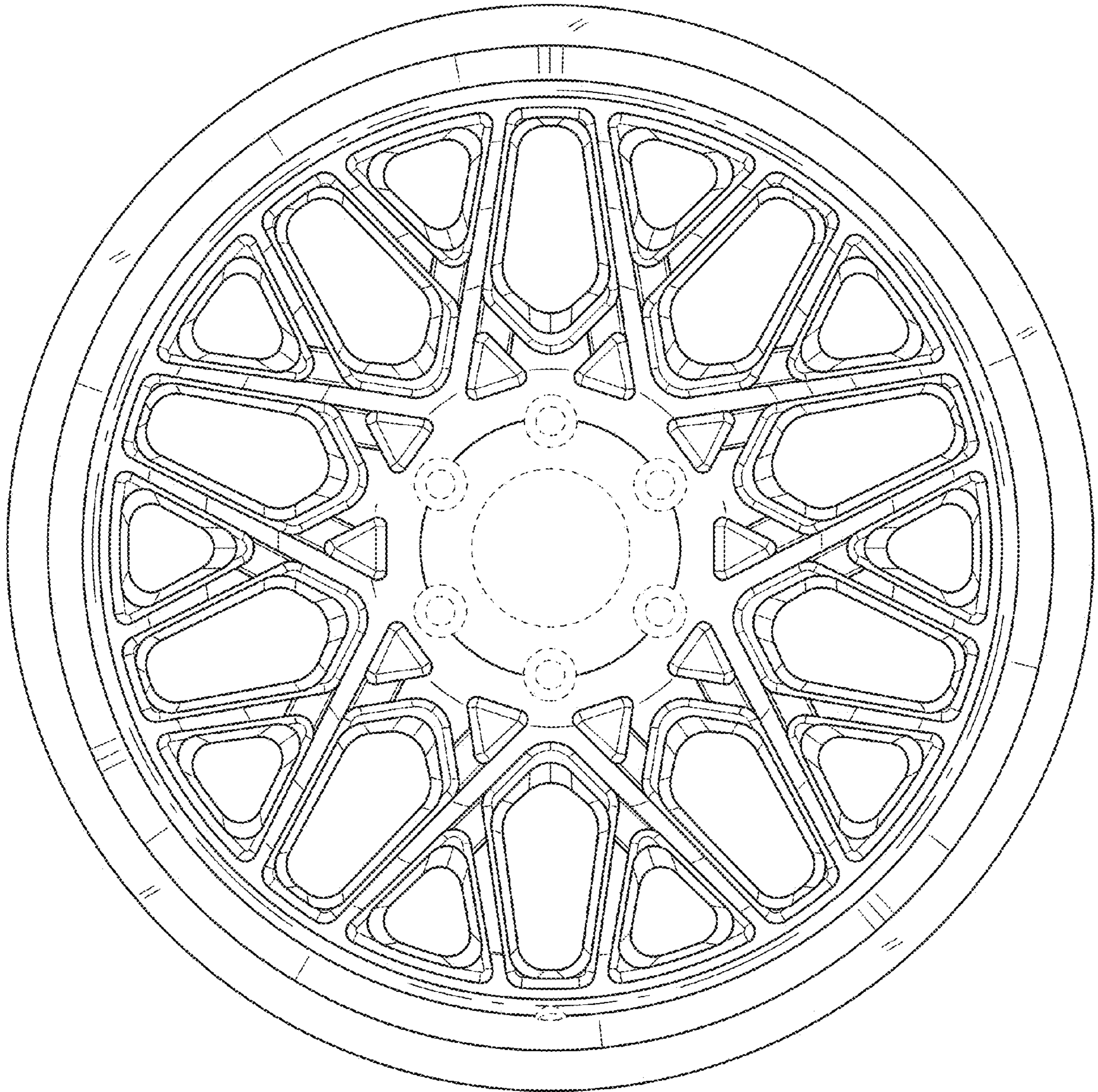


FIGURE 2