



US00D902105S

(12) **United States Design Patent**  
**Luo**

(10) **Patent No.:** **US D902,105 S**

(45) **Date of Patent:** **\*\* Nov. 17, 2020**

(54) **VEHICLE WHEEL**

(71) Applicant: **JAT Wheels, Inc.**, Alhambra, CA (US)

(72) Inventor: **Tom Luo**, Alhambra, CA (US)

(\*\*) Term: **15 Years**

(21) Appl. No.: **29/610,034**

(22) Filed: **Jul. 7, 2017**

(51) **LOC (12) Cl.** ..... **12-16**

(52) **U.S. Cl.**  
USPC ..... **D12/209**

(58) **Field of Classification Search**  
USPC ..... D12/204-213  
CPC .... B60B 7/00; B60B 7/02; B60B 7/04; B60B  
7/01; B60B 7/06; B60B 3/02; B60B 3/04;  
B60B 3/06; B60B 3/10; B60B 1/00;  
B60B 1/08; B60B 1/10; B60B 1/12

See application file for complete search history.

(56) **References Cited**

**U.S. PATENT DOCUMENTS**

D339,561 S *	9/1993	Maiworm	D12/211
D450,649 S *	11/2001	Penzes	D12/211
D456,332 S *	4/2002	Vian	D12/211
D504,101 S *	4/2005	Pfeiffer	D12/211
D522,950 S *	6/2006	Pfeiffer	D12/211
D596,548 S *	7/2009	Gallert	D12/211
D610,516 S *	2/2010	Dilber	D12/211
D623,111 S *	9/2010	Spoerle	D12/211
D632,239 S *	2/2011	Gallert	D12/211

D638,765 S *	5/2011	Yoon	D12/211
D638,766 S *	5/2011	Hilpert	D12/211
D658,105 S *	4/2012	Hans	D12/211
D666,959 S *	9/2012	Lucaora	D12/211
D690,252 S *	9/2013	Bernoni	D12/211

**OTHER PUBLICATIONS**

2008-2009, Rays Product Line Up, CE28 ECO drive wheel (Year: 2008).\*  
CE28N Wheel shown on Jul. 14, 2009, S2KI-Honda Forum, <https://www.s2ki.com/forums/wheels-tires-tire-rack-56/volk-flat-caps-715245/>.\*

\* cited by examiner

*Primary Examiner* — Stacia A Cadmus  
(74) *Attorney, Agent, or Firm* — Tommy S F Wang;  
Wang IP Law Group, P.C.

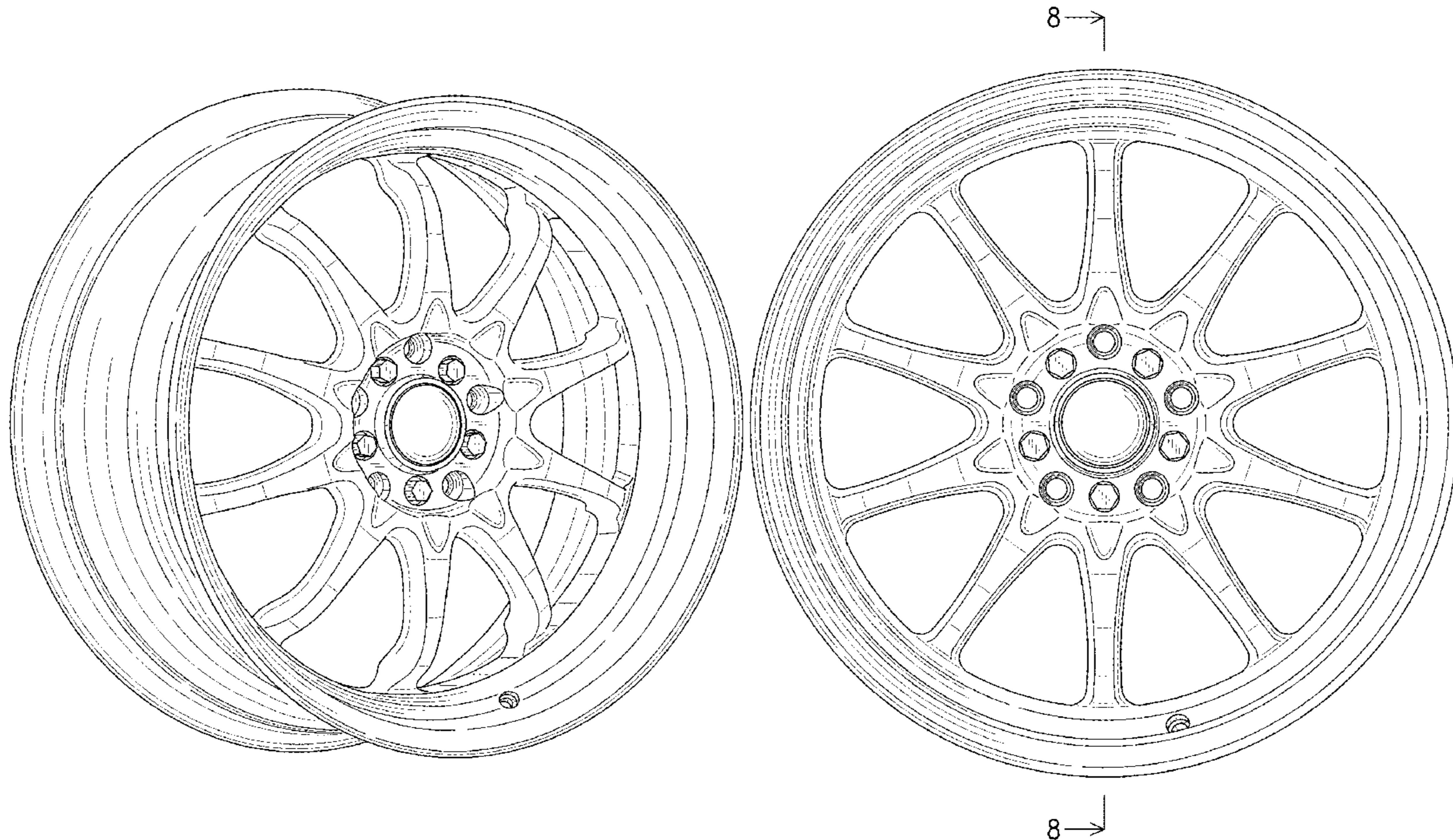
(57) **CLAIM**

The ornamental design for a vehicle wheel, as shown and described.

**DESCRIPTION**

FIG. 1 is a perspective view of a vehicle wheel showing my new design;  
FIG. 2 is a front view thereof;  
FIG. 3 is a rear view thereof;  
FIG. 4 is a left side view thereof;  
FIG. 5 is a right side view thereof;  
FIG. 6 is a top view thereof;  
FIG. 7 is a bottom view thereof; and,  
FIG. 8 is a cross-sectional view thereof taken along the line 8-8 of FIG. 2.

**1 Claim, 7 Drawing Sheets**



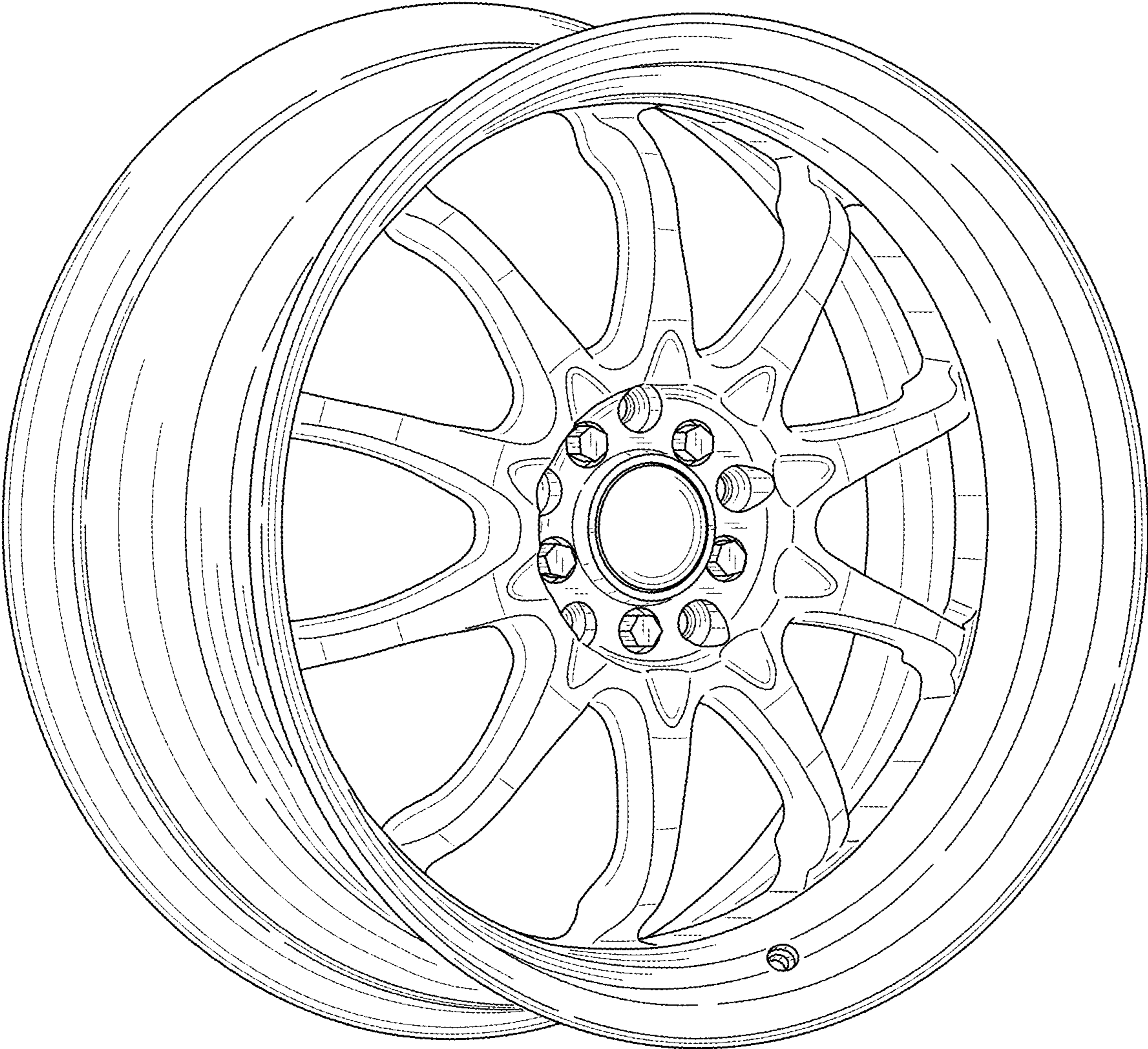


FIG. 1

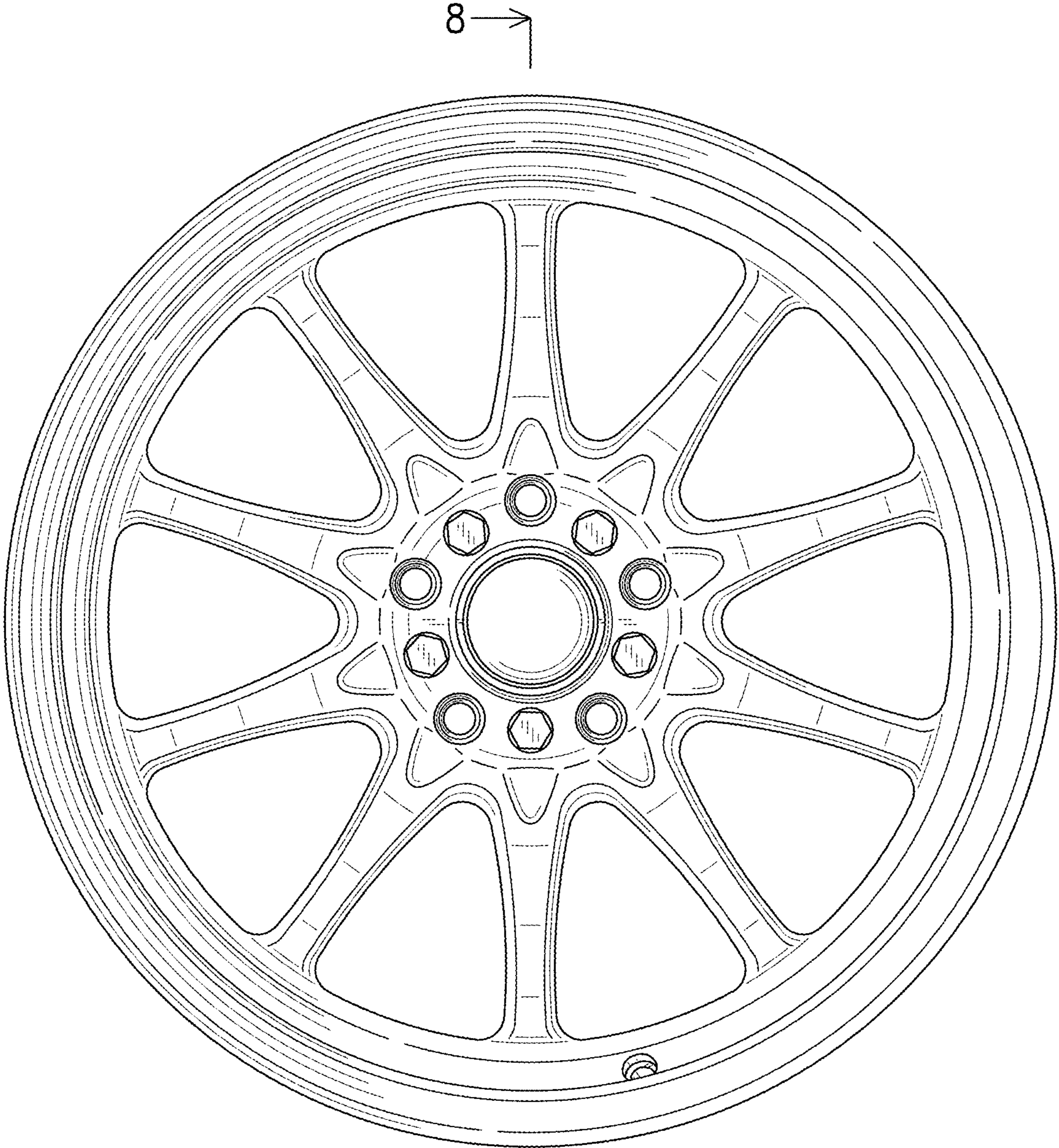


FIG. 2

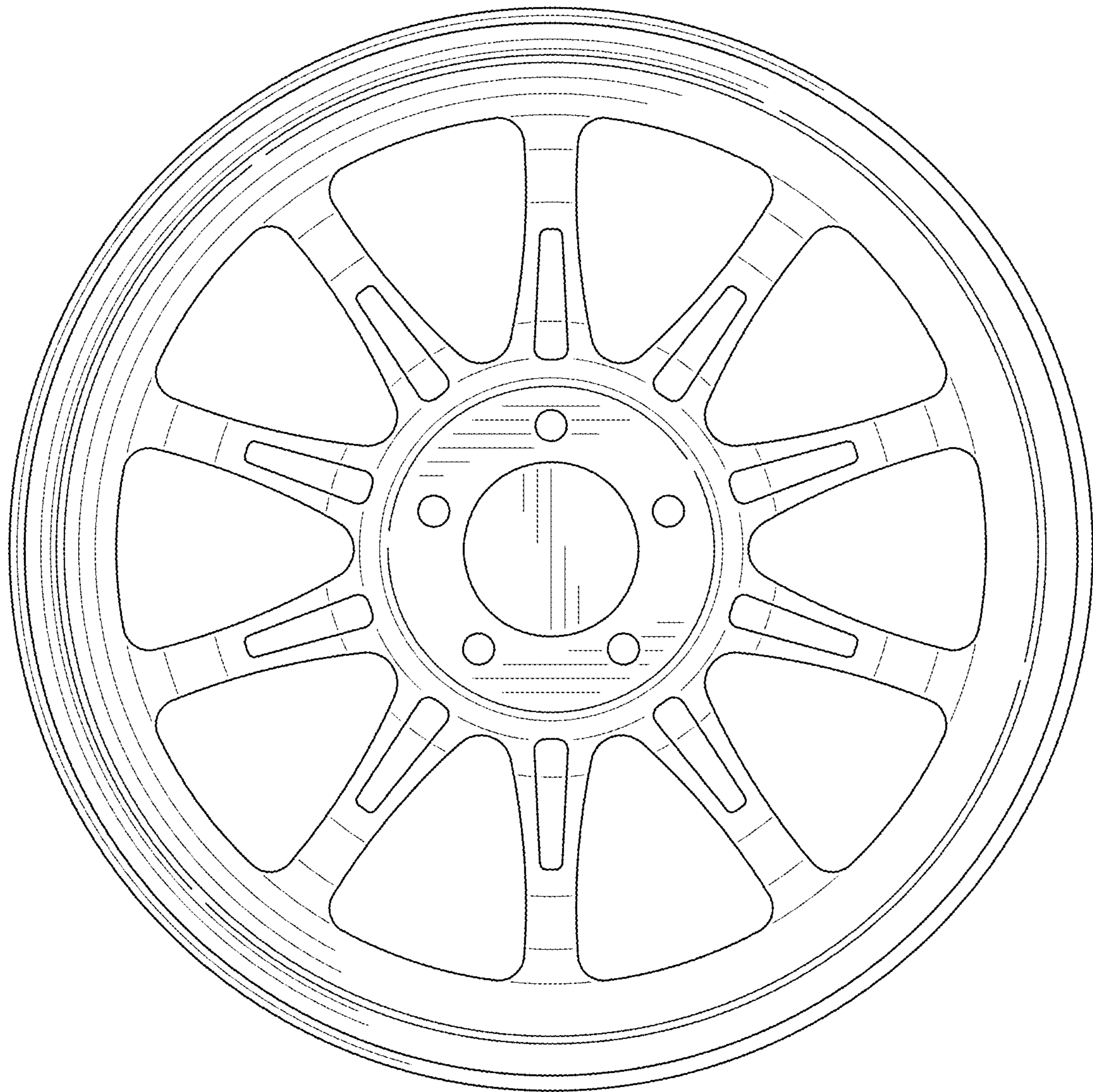


FIG. 3

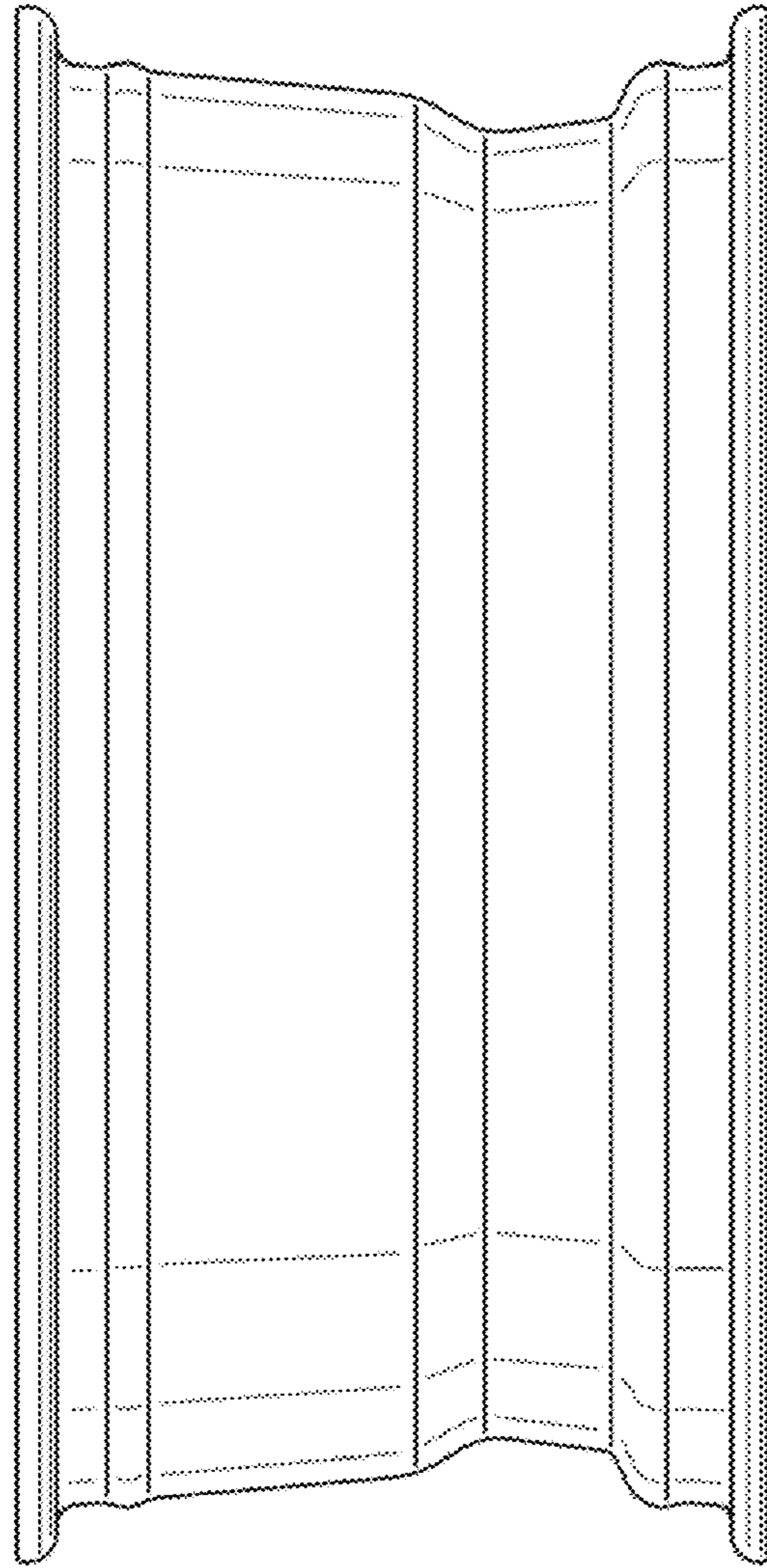


FIG. 4

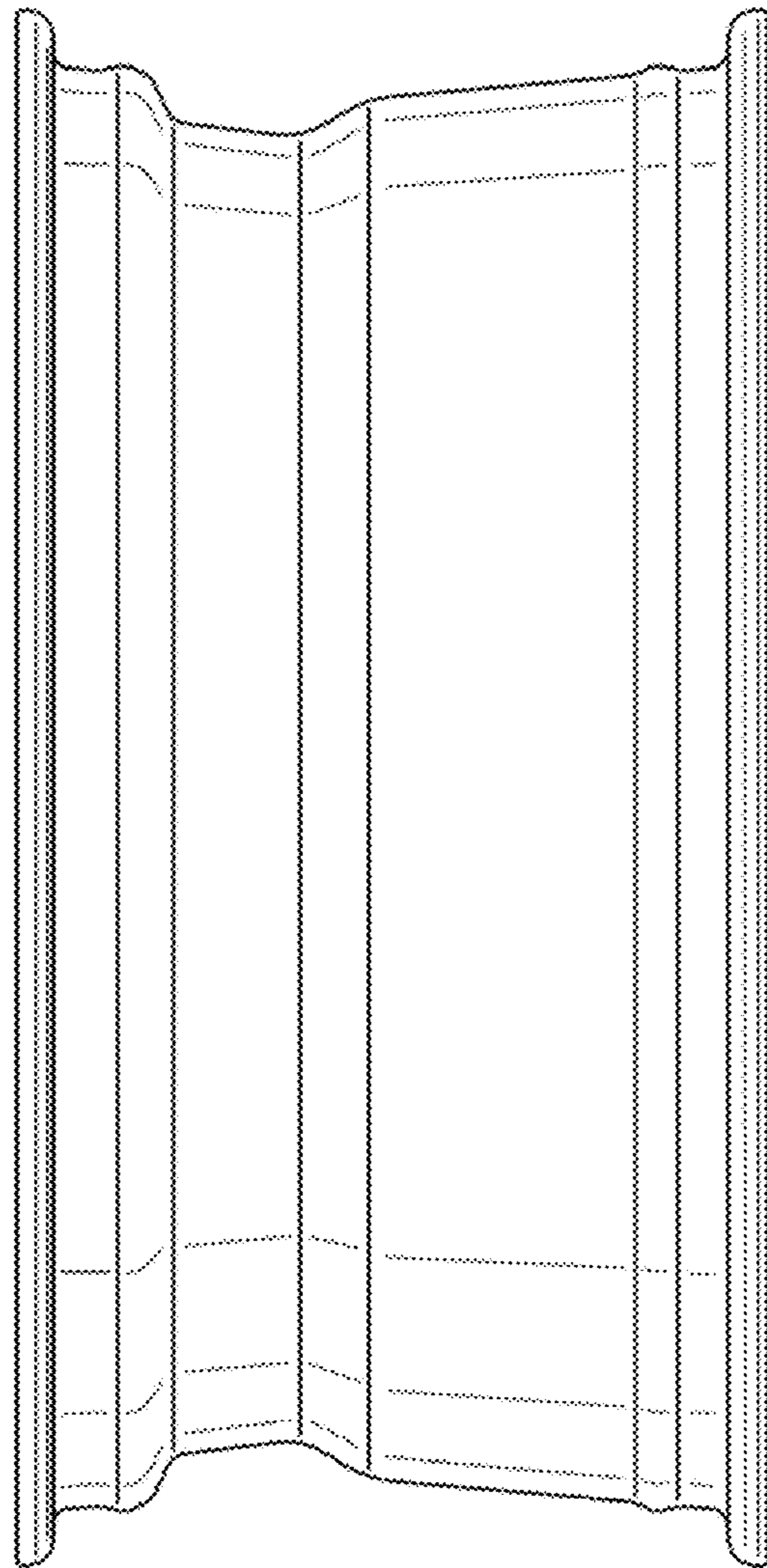


FIG. 5

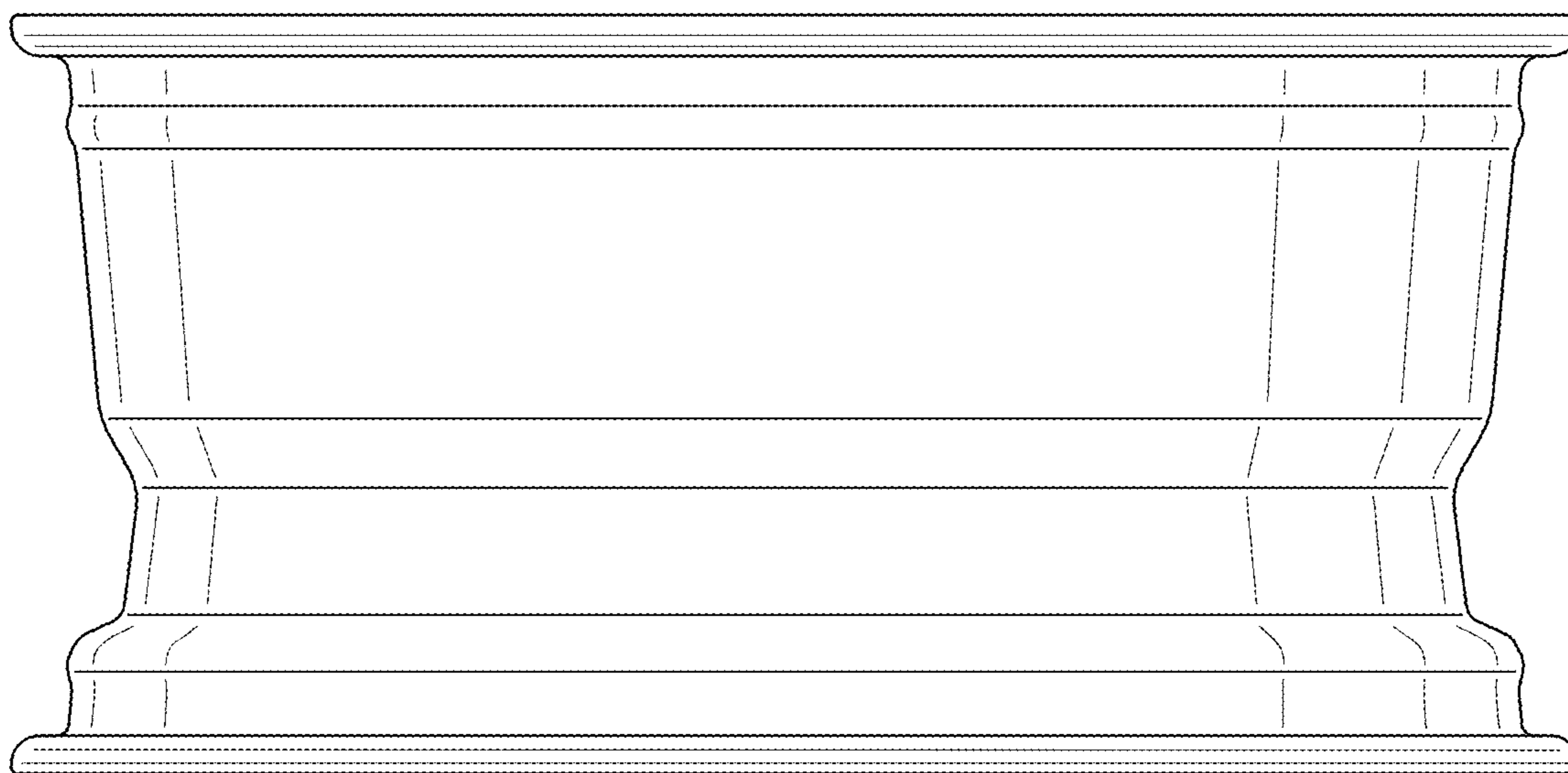


FIG. 6

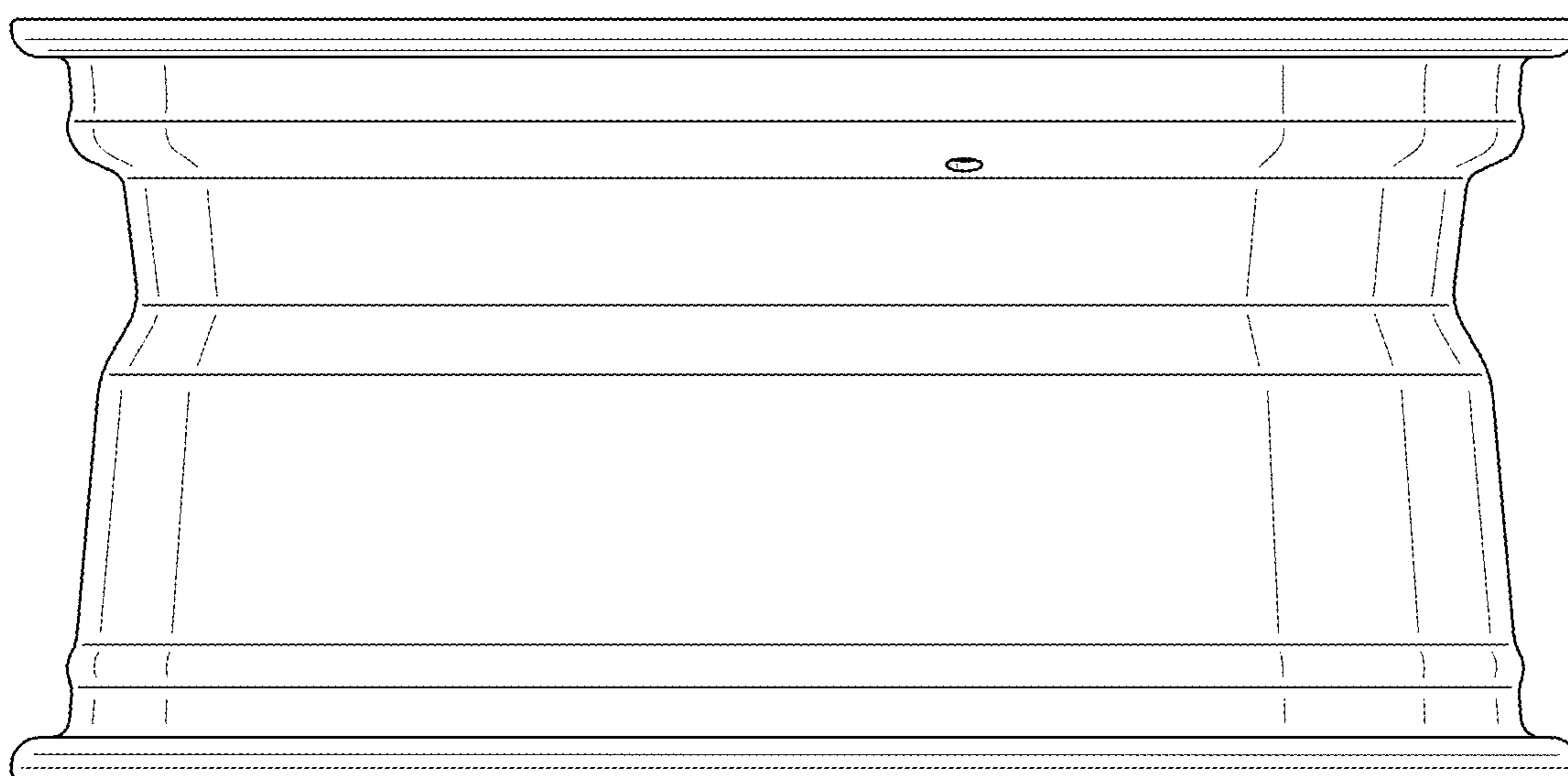


FIG. 7

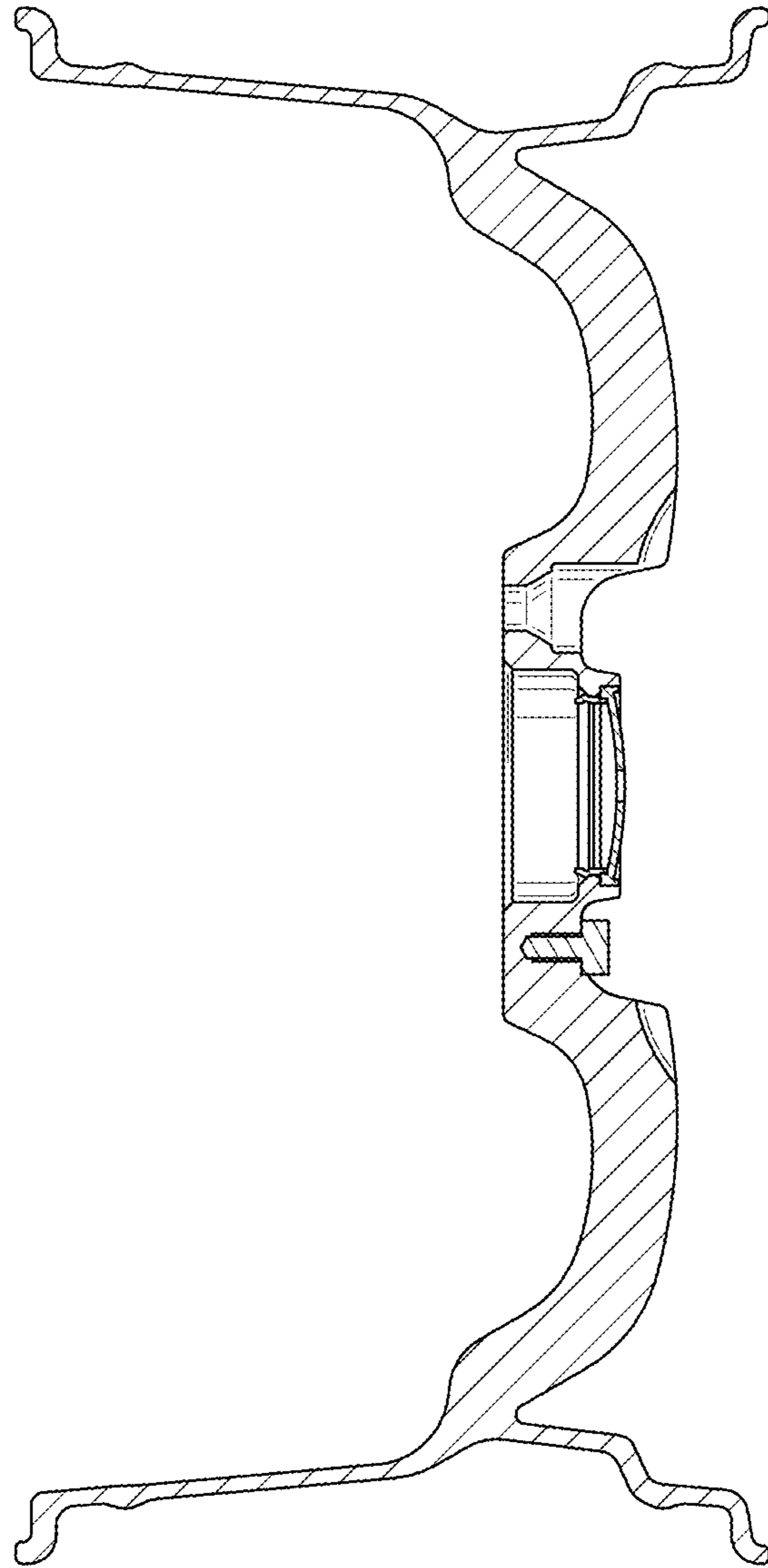


FIG. 8