



US00D902100S

(12) **United States Design Patent**
Mendoza

(10) **Patent No.:** **US D902,100 S**

(45) **Date of Patent:** **** Nov. 17, 2020**

(54) **OIL PAN**

D660,892 S 5/2012 Tomlinson et al.
D823,205 S * 7/2018 Ihns D12/190
D842,911 S 3/2019 O'Neill et al.

(71) Applicant: **Transportation IP Holdings, LLP**,
Norwalk, CT (US)

* cited by examiner

(72) Inventor: **Michael Mendoza**, Fredonia, PA (US)

Primary Examiner — Abraham Bahta

(73) Assignee: **Transportation IP Holdings, LLC**,
Norwalk, CT (US)

(74) *Attorney, Agent, or Firm* — McCoy Russell LLP

(**) Term: **15 Years**

(57) **CLAIM**

(21) Appl. No.: **29/677,037**

The ornamental design for an oil pan, as shown and described.

(22) Filed: **Jan. 16, 2019**

(51) **LOC (12) Cl.** **12-08**

(52) **U.S. Cl.**
USPC **D12/190**

DESCRIPTION

(58) **Field of Classification Search**
USPC 123/195 C, 198 E, 196 R; D12/190, 114,
D12/126; 180/69.1, 219; 96/204;
210/532.1; D15/1-5
CPC .. F02F 7/00; F02B 77/00; F02B 77/04; F01M
11/00; F01M 11/03; F01M 11/0004
See application file for complete search history.

FIG. 1 is a front view of an oil pan according to the claimed design.
FIG. 2 is a right side view of the oil pan of FIG. 1.
FIG. 3 is a rear view of the oil pan of FIG. 1.
FIG. 4 is a left side view of the oil pan of FIG. 1.
FIG. 5 is a top view of the oil pan of FIG. 1.
FIG. 6 is a bottom view of the oil pan of FIG. 1; and,
FIG. 7 is a front-top-right perspective view of the oil pan of FIG. 1.

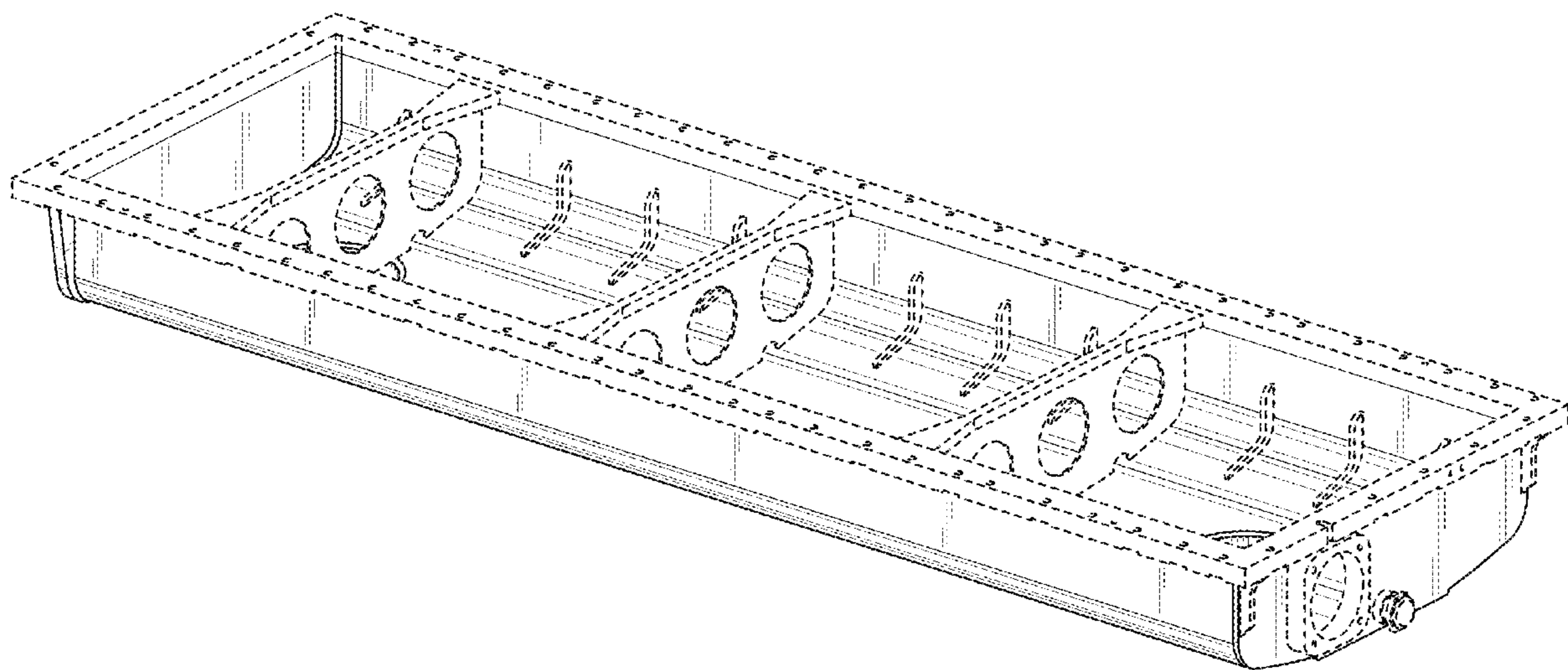
The broken lines in FIGS. 1-7 illustrate portions of the oil pan that form no part of the claimed design.

(56) **References Cited**

U.S. PATENT DOCUMENTS

D637,636 S * 5/2011 Liao D15/150
D641,385 S * 7/2011 Armstrong D15/150

1 Claim, 7 Drawing Sheets



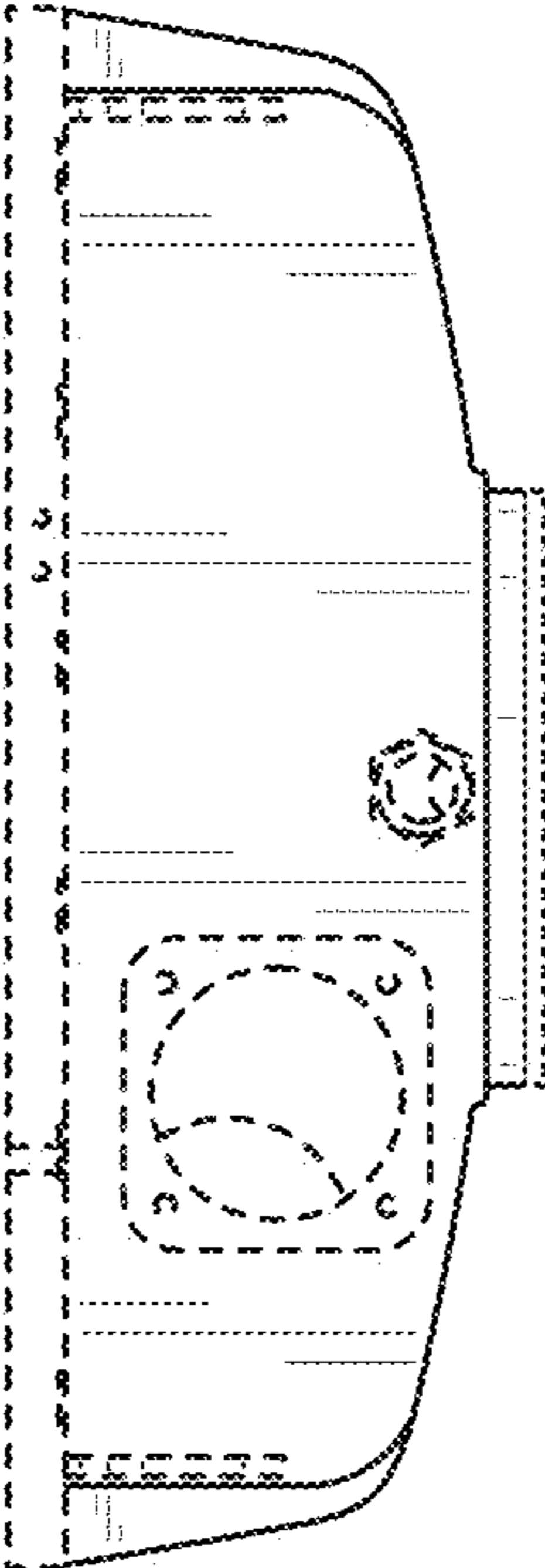


FIG. 1

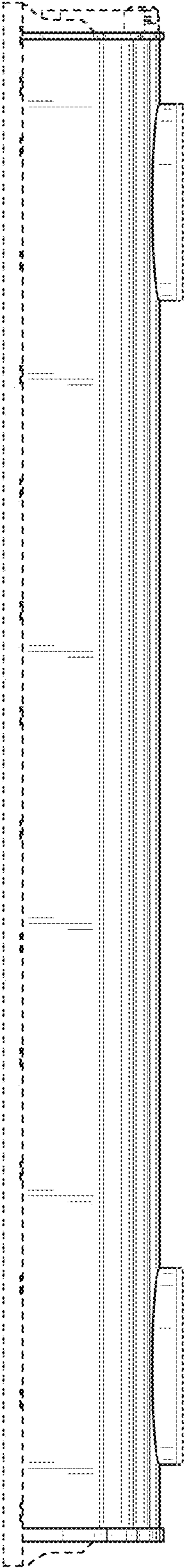


FIG. 2

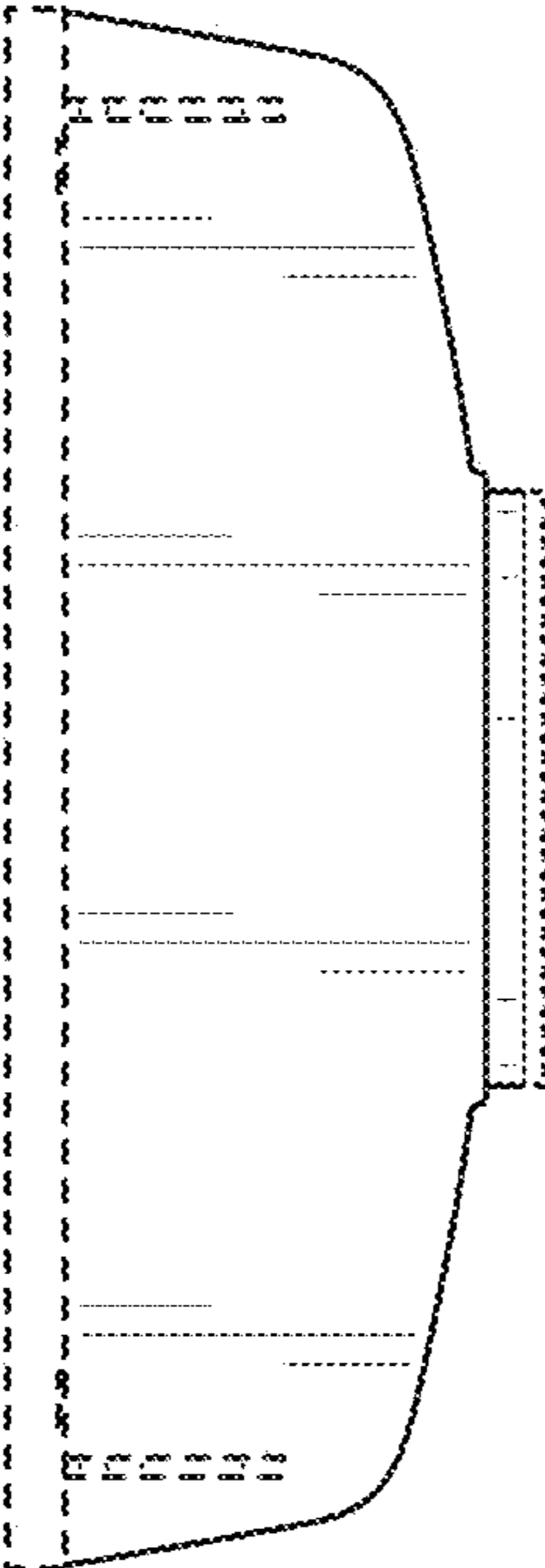


FIG. 3

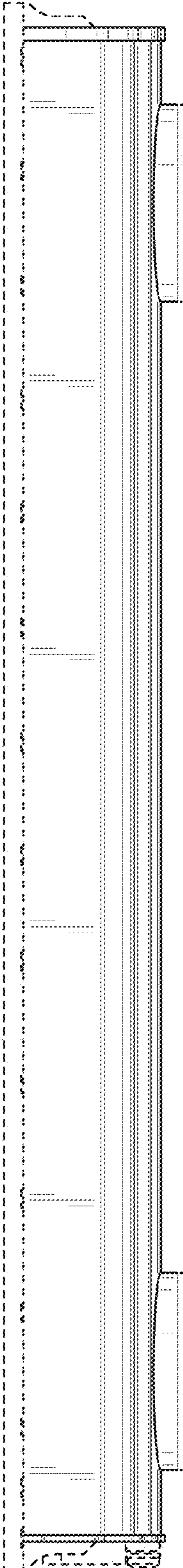


FIG. 4

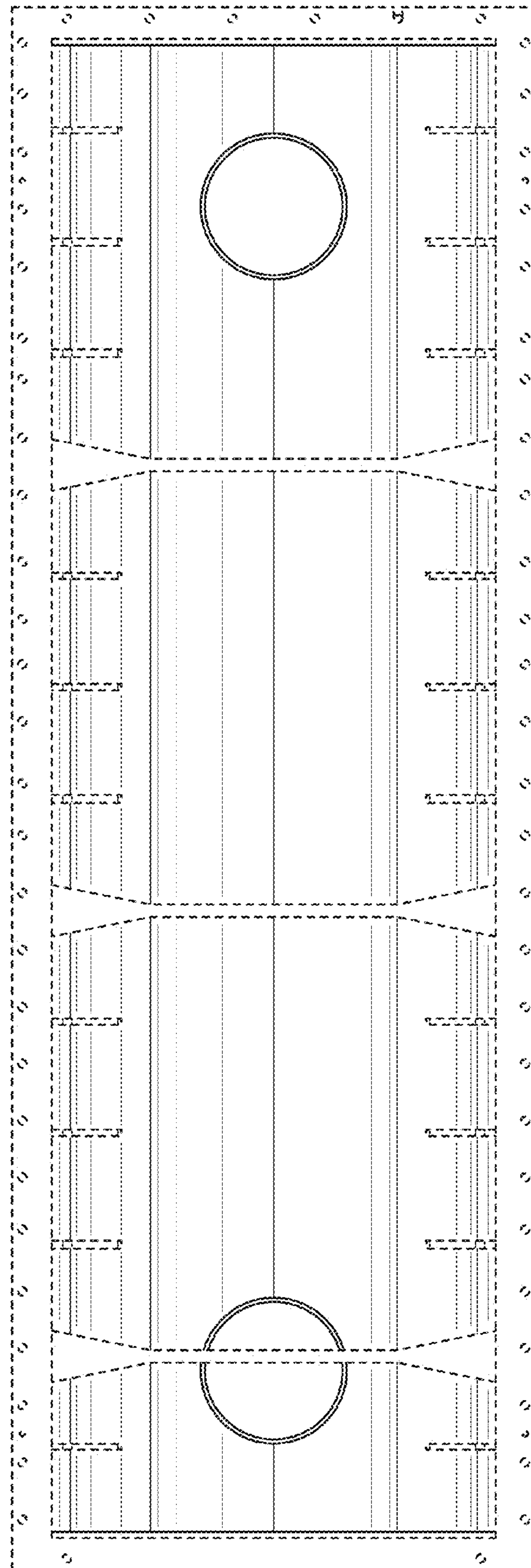


FIG. 5

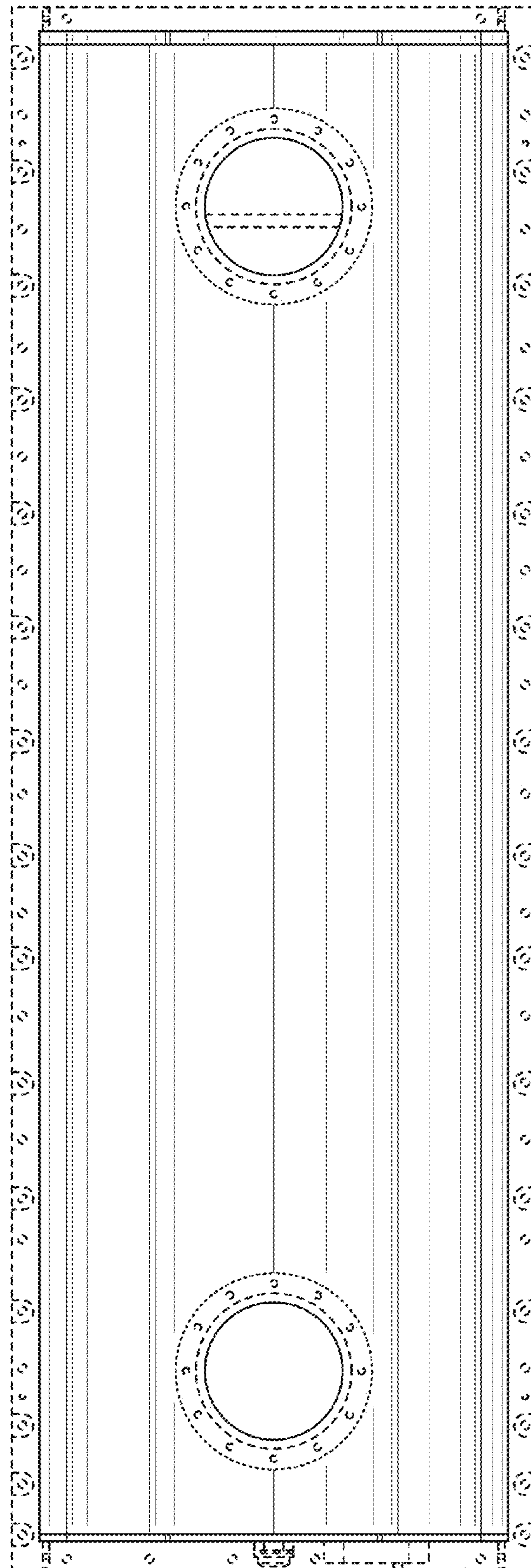


FIG. 6

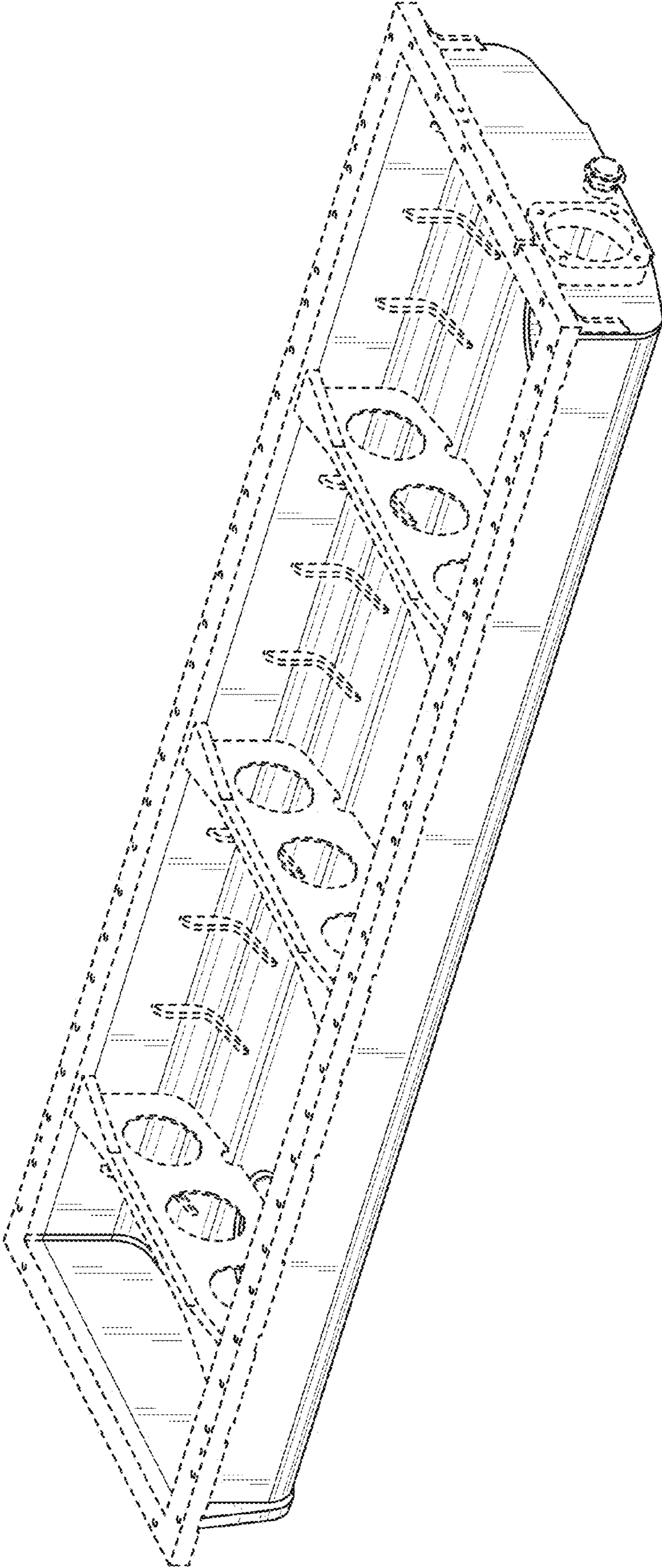


FIG. 7