



US00D902097S

(12) **United States Design Patent**
Ock

(10) **Patent No.:** **US D902,097 S**

(45) **Date of Patent:** **** Nov. 17, 2020**

(54) **DISK BRAKE CALIPER FOR AUTOMOBILE**

(71) Applicant: **Wooshin Industries Co., Ltd.**,
Gimhae-si (KR)

(72) Inventor: **Jae Dong Ock**, Gimhae-si (KR)

(73) Assignee: **WOOSHIN INDUSTRIES CO., LTD.**,
Gimhae-si (KR)

(**) Term: **15 Years**

(21) Appl. No.: **29/669,460**

(22) Filed: **Nov. 8, 2018**

(30) **Foreign Application Priority Data**

Oct. 15, 2018 (KR) 30-2018-0047312

(51) **LOC (12) Cl.** **12-16**

(52) **U.S. Cl.**
USPC **D12/180**

(58) **Field of Classification Search**

USPC D12/123, 160, 179, 180
CPC F16D 55/22; F16D 55/224; F16D 55/226;
F16D 55/227; F16D 55/228; F16D 65/18;
F16D 65/0068; F16D 65/021

See application file for complete search history.

(56) **References Cited**

U.S. PATENT DOCUMENTS

D512,352 S * 12/2005 Veneziano D12/180
D520,924 S * 5/2006 Gotti D12/180
8,196,716 B2 * 6/2012 Schorn F16D 55/228
188/370
D804,375 S * 12/2017 Crippa D12/180
2005/0161290 A1 * 7/2005 Donadoni F16D 66/021
188/1.11 L
2007/0278049 A1 * 12/2007 Kobayashi F16D 55/228
188/73.39

2013/0092481 A1 * 4/2013 Crippa F16D 55/228
188/73.31
2013/0213747 A1 * 8/2013 Scotti F16D 55/228
188/73.31
2013/0256068 A1 * 10/2013 Hazeki F16D 55/226
188/72.4
2015/0021125 A1 * 1/2015 Nessi F16D 55/228
188/72.5
2015/0027821 A1 * 1/2015 Nessi F16D 55/224
188/72.3
2015/0027822 A1 * 1/2015 Cerutti F16D 55/228
188/73.47
2016/0053835 A1 * 2/2016 Castellana F16D 55/22
188/72.4

* cited by examiner

Primary Examiner — Susan E Krakower

Assistant Examiner — Jerry Shiu-an-Hua Hsu

(74) *Attorney, Agent, or Firm* — STIP Law Group, LLC

(57) **CLAIM**

The ornamental design for a disk brake caliper for automobile, as shown and described.

DESCRIPTION

FIG. 1 is a top, front, right side perspective view of the disk brake caliper for automobile, showing the present design.

FIG. 2 is a front view thereof.

FIG. 3 is a rear view thereof.

FIG. 4 is a left side view thereof, enlarged for ease of illustration.

FIG. 5 is a right side view thereof, enlarged for ease of illustration.

FIG. 6 is a top view of thereof.

FIG. 7 is a bottom view thereof; and,

FIG. 8 is a bottom, front, left side perspective view thereof.

The broken lines illustrate portions of the disk brake caliper that form no part of the claimed design.

1 Claim, 8 Drawing Sheets

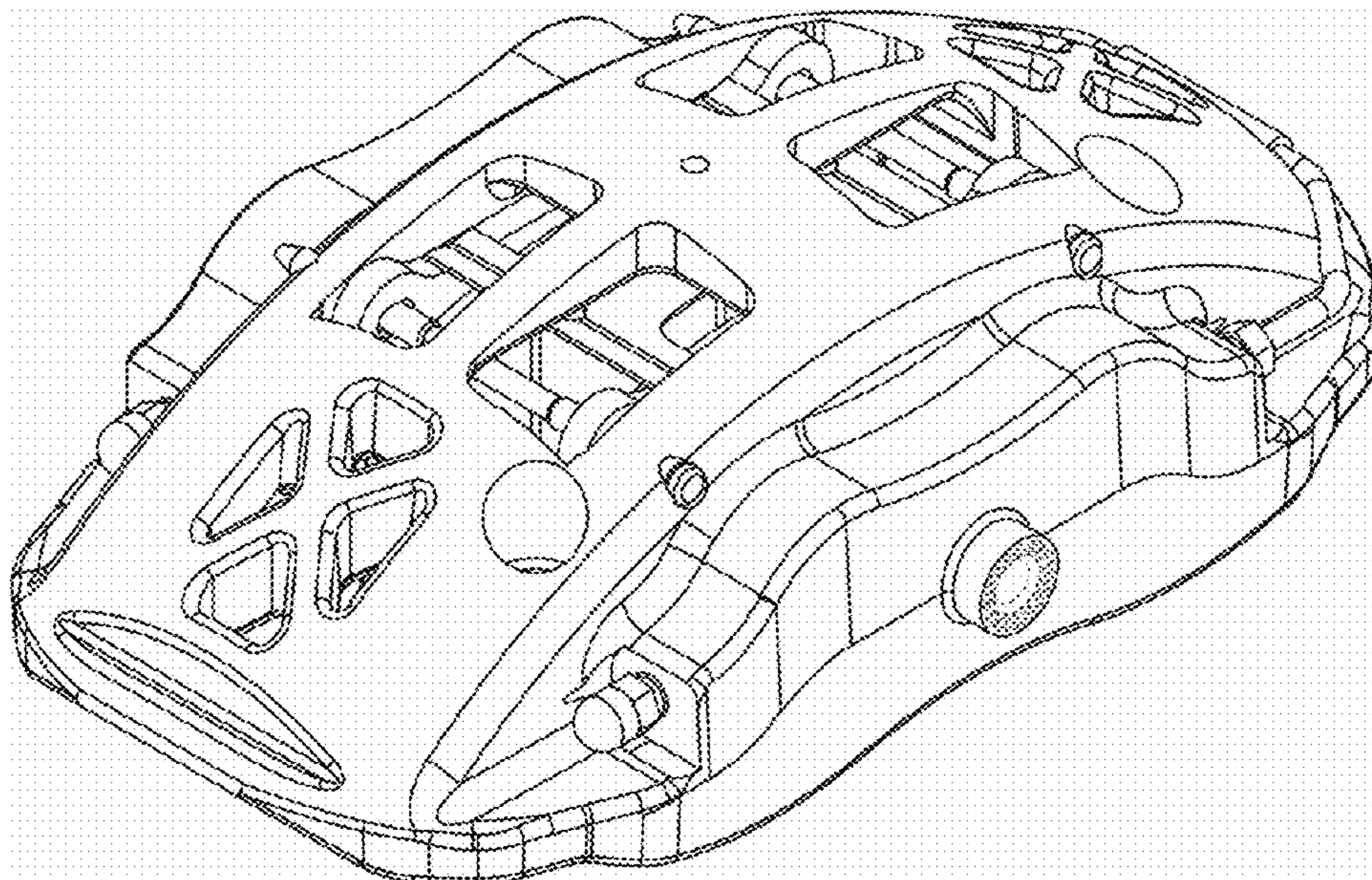


FIG. 1

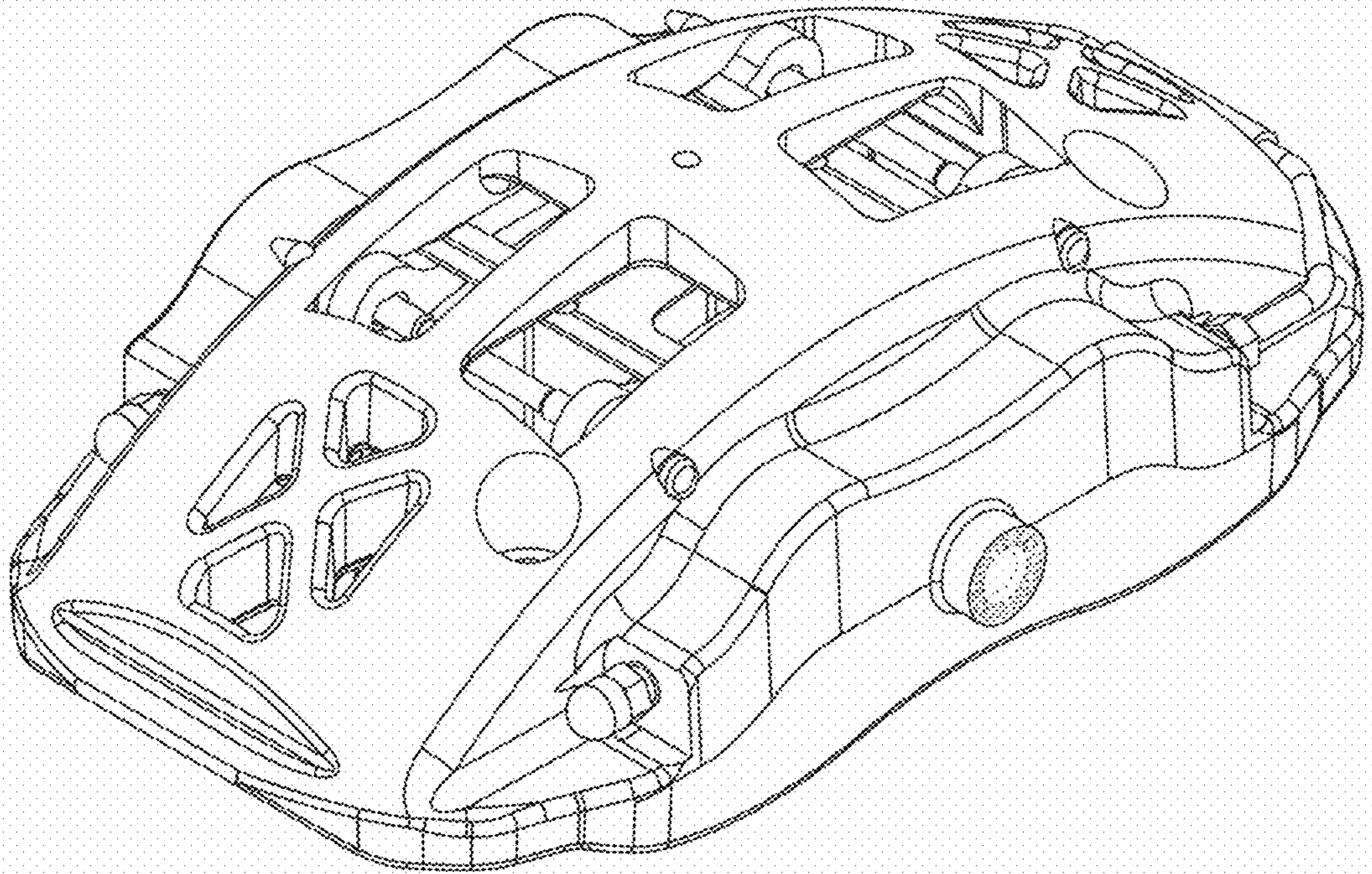


FIG. 2

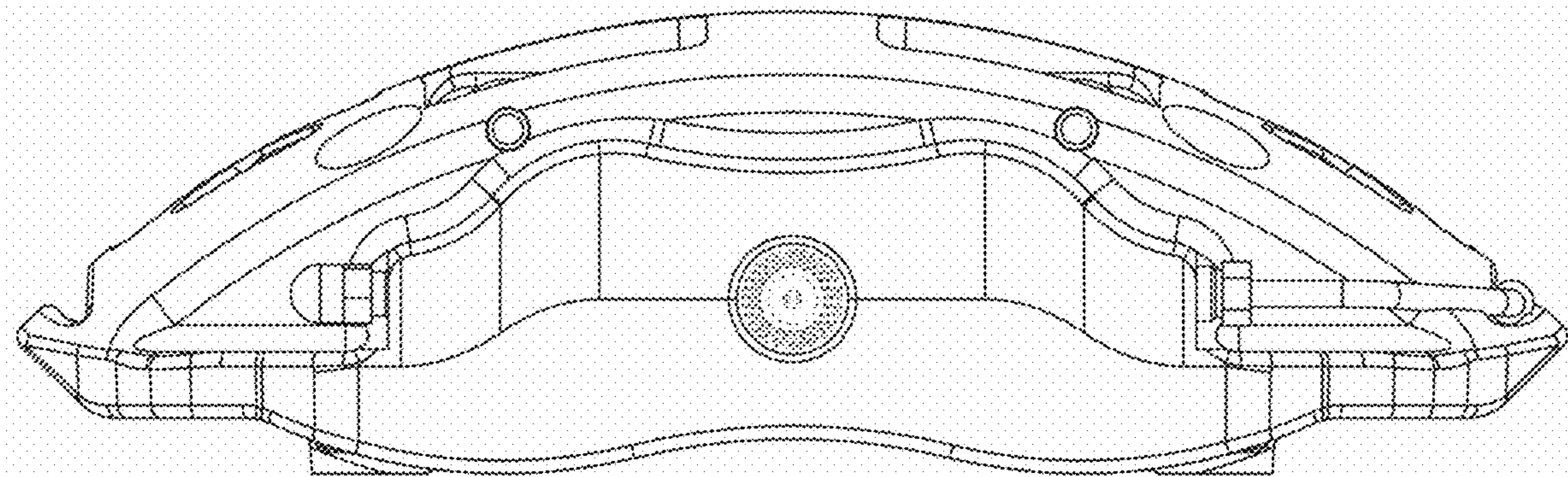


FIG. 3

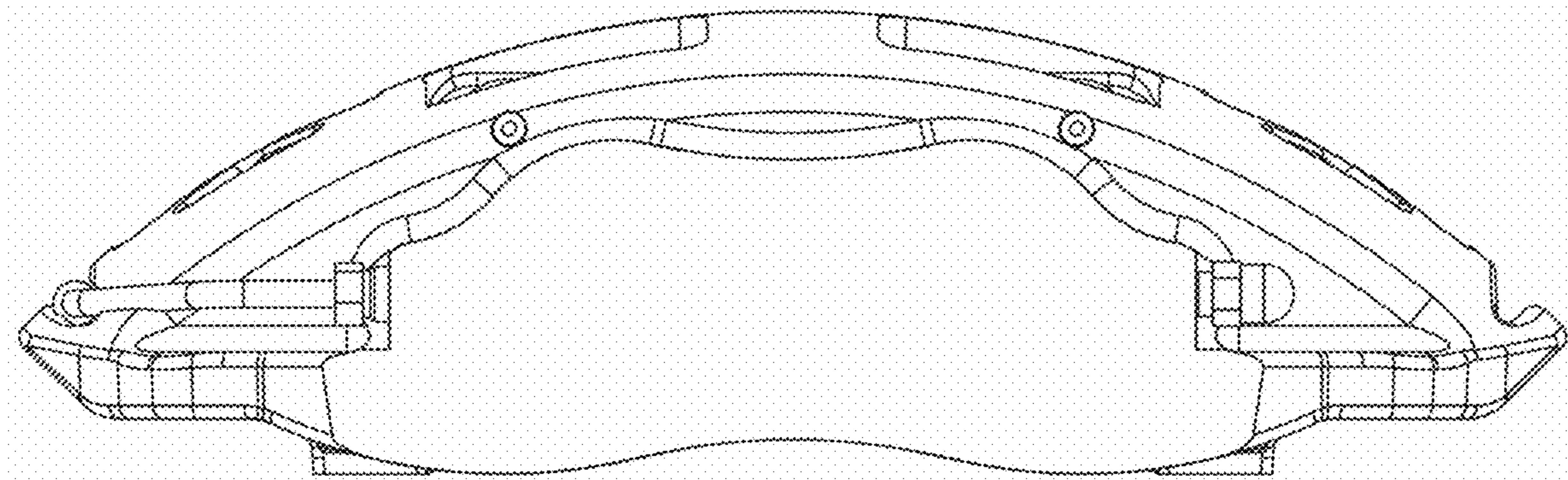


FIG. 4

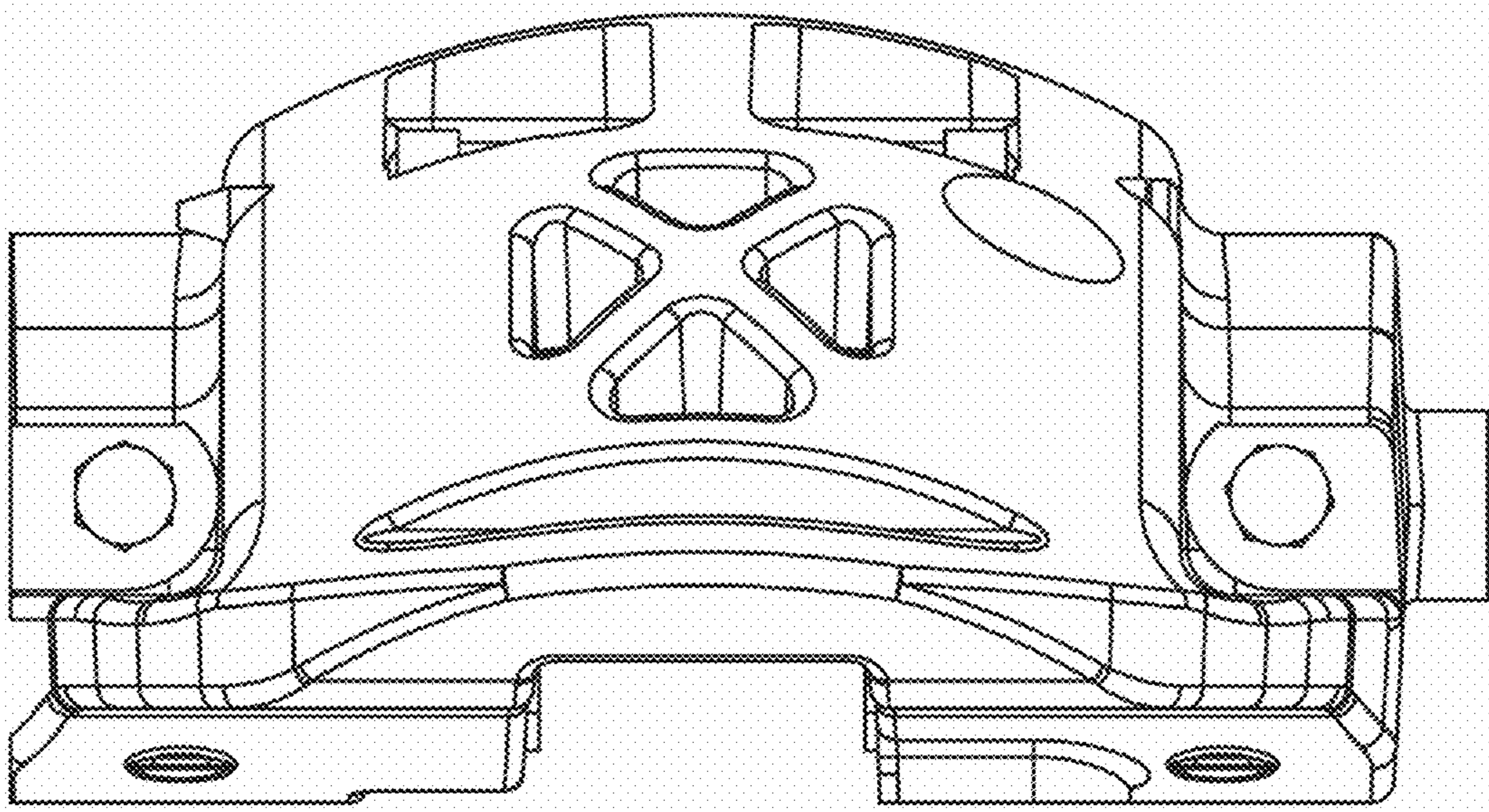


FIG. 5

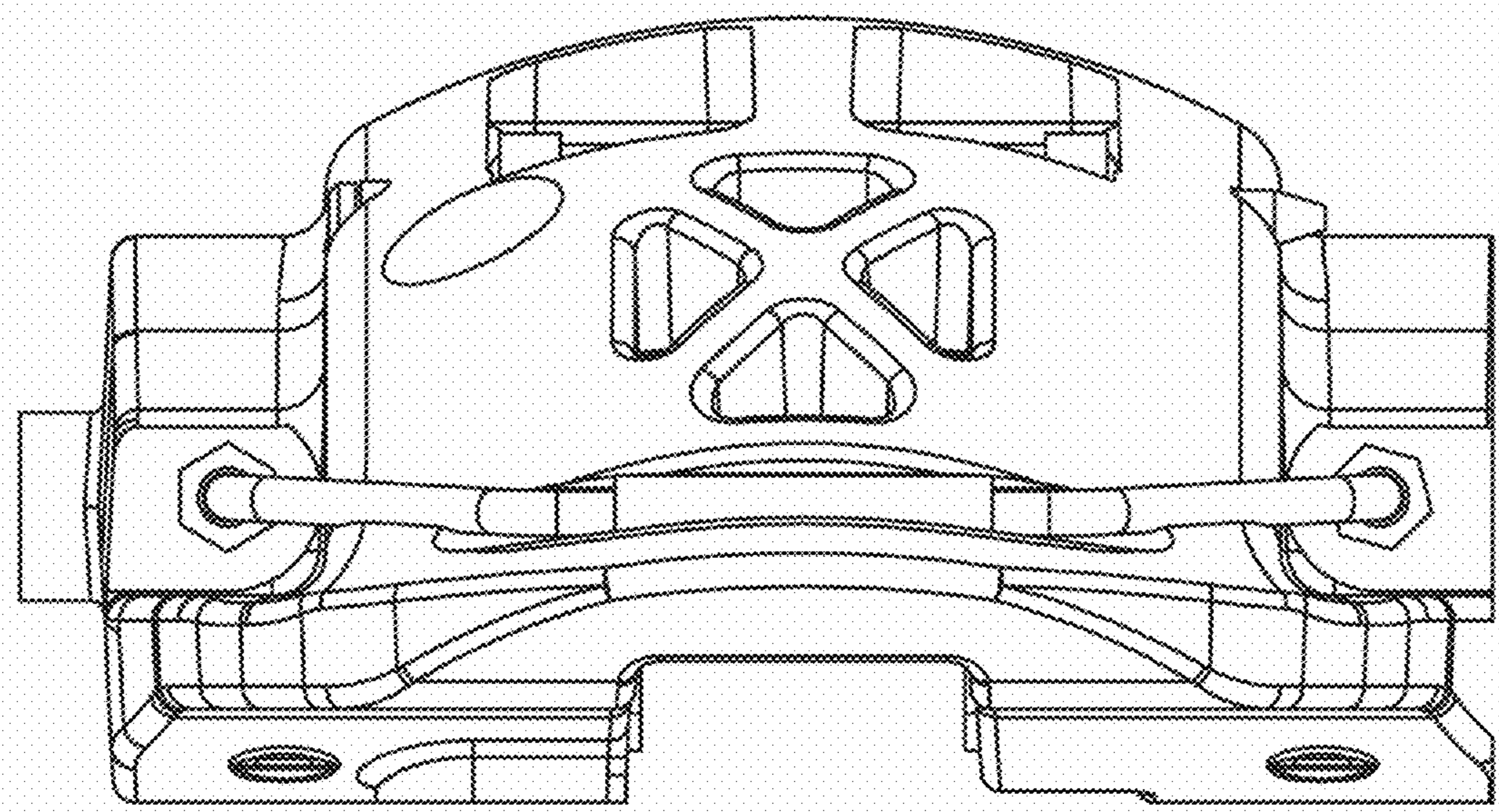


FIG. 6

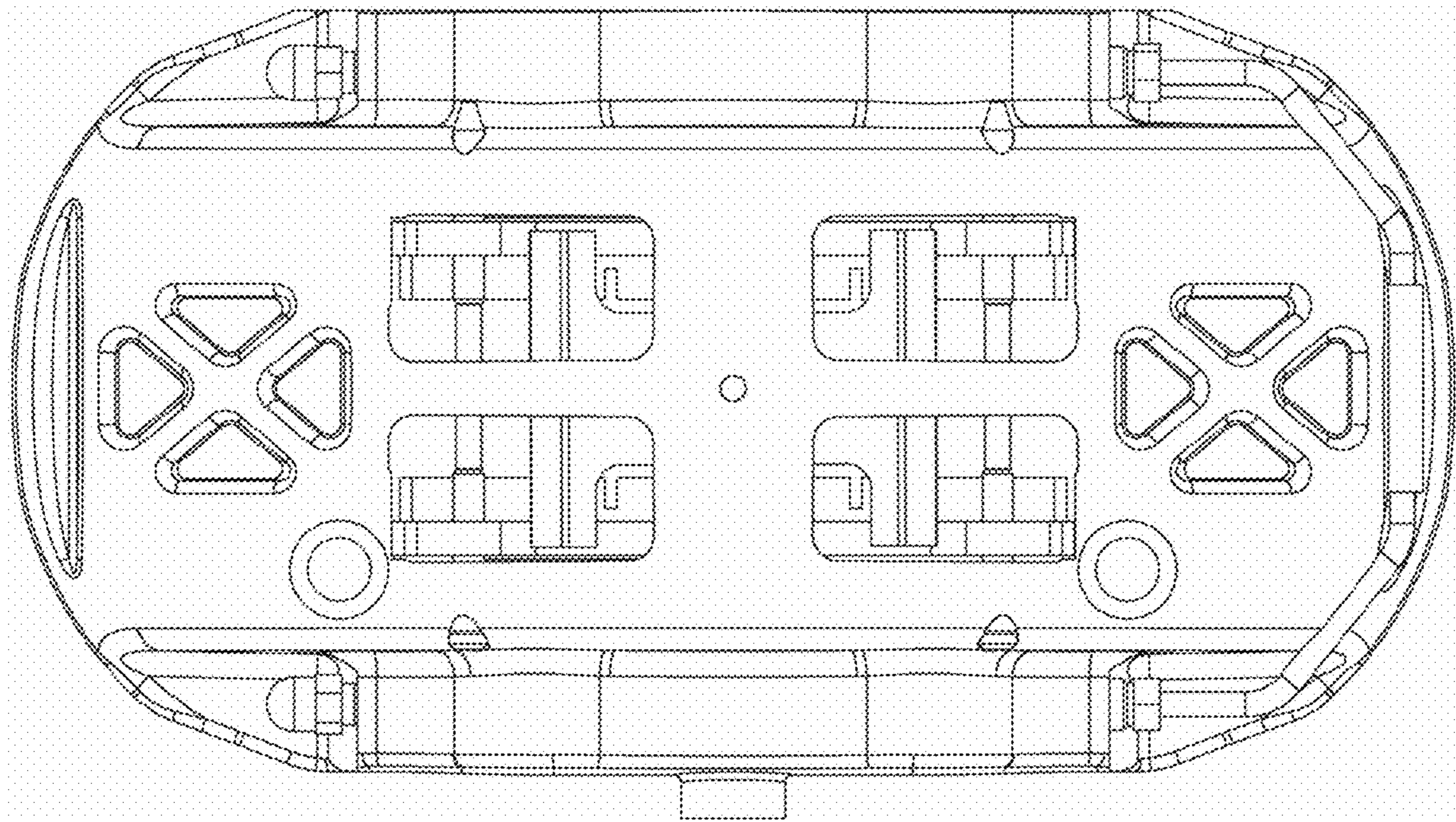


FIG. 7

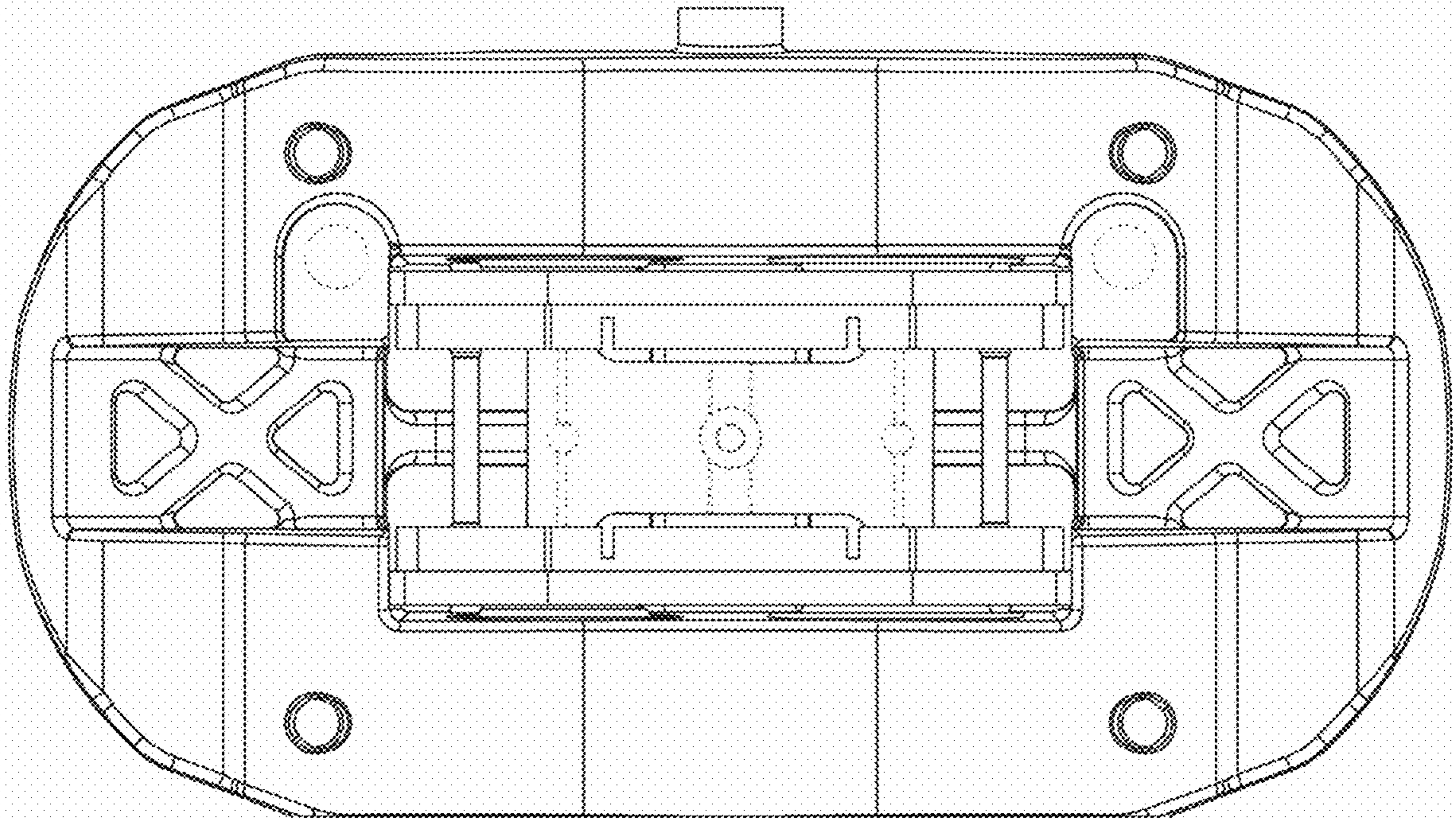


FIG. 8

