



US00D902096S

(12) **United States Design Patent** (10) **Patent No.:** **US D902,096 S**
Gander et al. (45) **Date of Patent:** **** Nov. 17, 2020**

- (54) **VEHICLE HOOD**
- (71) Applicant: **Oshkosh Defense, LLC**, Oshkosh, WI (US)
- (72) Inventors: **Jesse Gander**, Oshkosh, WI (US);
Devon Palmer, Oshkosh, WI (US);
McCall Groen, Oshkosh, WI (US)
- (73) Assignee: **Oshkosh Defense, LLC**, Oshkosh, WI (US)

- 6,779,806 B1 8/2004 Breitbach et al.
- 7,073,620 B2 7/2006 Braun et al.
- D528,482 S * 9/2006 Hamburger D12/181
- D542,715 S 5/2007 Beigel et al.
- 7,258,194 B2 8/2007 Braun et al.
- 7,311,352 B2 12/2007 Flotzinger
- D561,665 S * 2/2008 Thomas D12/173
- D563,849 S 3/2008 Medina et al.
- D572,642 S 7/2008 Steckling et al.
- 7,472,914 B2 1/2009 Anderson et al.
- D597,002 S * 7/2009 Jamieson D12/173
- D619,062 S * 7/2010 Improta D12/173

(Continued)

(**) Term: **15 Years**

FOREIGN PATENT DOCUMENTS

- (21) Appl. No.: **29/700,665**
- (22) Filed: **Aug. 5, 2019**

- EP 1 633 619 6/2004
- GB 2 400 588 1/2005

(Continued)

Related U.S. Application Data

- (60) Continuation of application No. 29/672,849, filed on Dec. 10, 2018, now Pat. No. Des. 860,887, which is a division of application No. 29/602,277, filed on Apr. 28, 2017, now Pat. No. Des. 837,702.

Primary Examiner — Susan Bennett Hattan
Assistant Examiner — Suzanne E Tisdell
 (74) *Attorney, Agent, or Firm* — Foley & Lardner LLP

- (51) **LOC (12) Cl.** **12-16**
- (52) **U.S. Cl.**
USPC **D12/173**

(57) **CLAIM**

We claim the ornamental design for a vehicle hood, as shown and described.

- (58) **Field of Classification Search**
USPC D12/86, 91, 93, 163, 164, 165, 166, 167, D12/169, 171, 172, 173, 190, 216
CPC B60R 9/06; B60R 19/02; B60R 19/04; B60R 19/18; B60R 19/44; B60R 19/48; B62D 35/02; B62D 39/00; B62D 65/16; B62D 21/12; B29C 45/16
See application file for complete search history.

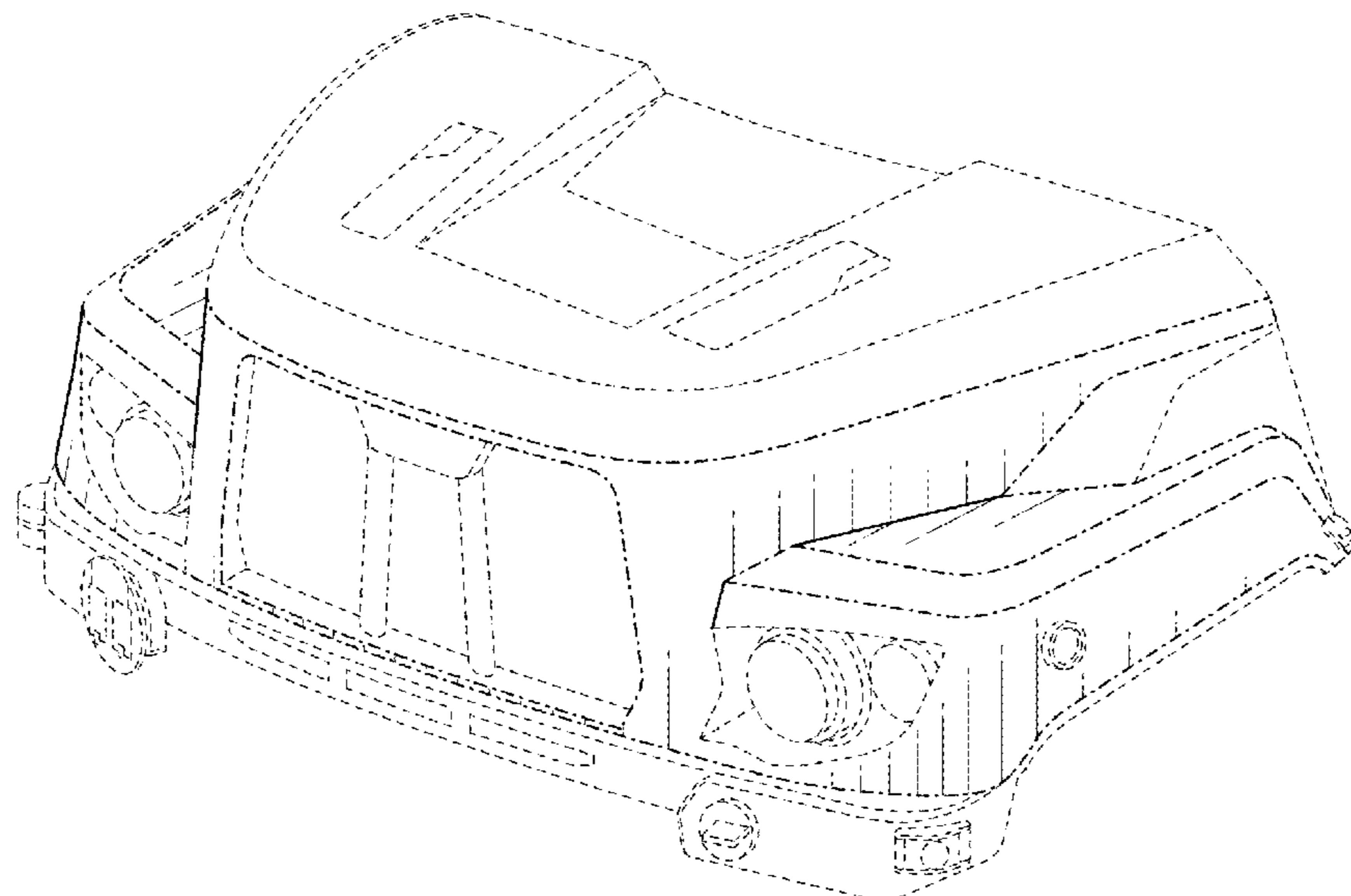
DESCRIPTION

FIG. 1 is a front perspective view of the claimed design;
 FIG. 2 is a front view of the claimed design;
 FIG. 3 is a rear view of the claimed design;
 FIG. 4 is a right side view of the claimed design;
 FIG. 5 is a left side view of the claimed design;
 FIG. 6 is a top view of the claimed design; and,
 FIG. 7 is a bottom view of the claimed design.
 Evenly-spaced broken lines depict unclaimed portions of the vehicle hood. Broken lines in a dash-dot pattern depict boundaries between claimed and unclaimed portion of the vehicle hood, the boundaries themselves forming no part of the claim.

- (56) **References Cited**
U.S. PATENT DOCUMENTS

- 4,322,106 A 3/1982 Nespor
- 6,520,494 B1 2/2003 Andersen et al.
- D473,829 S * 4/2003 Hoyle, Jr. D12/173

1 Claim, 3 Drawing Sheets



(56)

References Cited

U.S. PATENT DOCUMENTS

D623,100 S * 9/2010 Bimbi D12/173
 D632,224 S 2/2011 Peltola et al.
 D646,203 S 10/2011 Thompson et al.
 D654,401 S 2/2012 Peltola et al.
 D685,294 S 7/2013 Hanson et al.
 D703,119 S * 4/2014 Platto D12/173
 D708,553 S 7/2014 Conway et al.
 D708,986 S 7/2014 Conway et al.
 D709,408 S 7/2014 Peltola et al.
 D711,786 S 8/2014 Brzustowicz et al.
 D711,788 S 8/2014 Brzustowicz
 D719,879 S 12/2014 Ito et al.
 8,972,116 B2 3/2015 Leach et al.
 9,016,766 B2 4/2015 Silva et al.
 9,045,014 B1 6/2015 Verhoff et al.
 D735,625 S * 8/2015 Mays D12/173
 D737,866 S 9/2015 Datema et al.
 D739,317 S * 9/2015 McMahan D12/173
 D740,187 S * 10/2015 Jamieson D12/173
 9,199,293 B2 12/2015 Joyce et al.
 9,327,768 B2 5/2016 Donabedian et al.
 D762,148 S * 7/2016 Platto D12/173
 D771,539 S 11/2016 Brzustowicz et al.
 D772,768 S * 11/2016 Chiang D12/173
 9,494,170 B2 11/2016 Hou
 D777,220 S * 1/2017 Powell D15/31
 9,656,640 B1 5/2017 Verhoff et al.
 D799,380 S 10/2017 Cosme et al.
 D805,981 S 12/2017 Conway et al.

D818,399 S 5/2018 Frascella
 D818,879 S 5/2018 Kochi et al.
 D820,160 S 6/2018 Smock et al.
 D820,163 S 6/2018 Woodhouse et al.
 D820,175 S 6/2018 Ishigaki
 D820,730 S 6/2018 Wang et al.
 D821,266 S 6/2018 Hagino et al.
 2004/0245039 A1 12/2004 Braun et al.
 2004/0256024 A1* 12/2004 Schlachter B60K 15/04
 141/86
 2006/0048986 A1* 3/2006 Bracciano B60H 1/28
 180/69.2
 2006/0192361 A1 8/2006 Anderson et al.
 2006/0201727 A1* 9/2006 Chan B62D 25/105
 180/69.25
 2006/0249325 A1 11/2006 Braun et al.
 2007/0199751 A1 8/2007 Bradley et al.
 2009/0085361 A1 4/2009 Rosen et al.
 2009/0174158 A1 7/2009 Anderson et al.
 2013/0025954 A1 1/2013 Miller et al.
 2015/0232269 A1 8/2015 Hou
 2017/0355400 A1* 12/2017 Weston B62D 25/12

FOREIGN PATENT DOCUMENTS

GB 2 400 589 2/2005
 GB 2 400 590 3/2005
 HK 1088583 10/2007
 WO WO-2004/110849 12/2004
 WO WO-2006/093835 9/2006

* cited by examiner

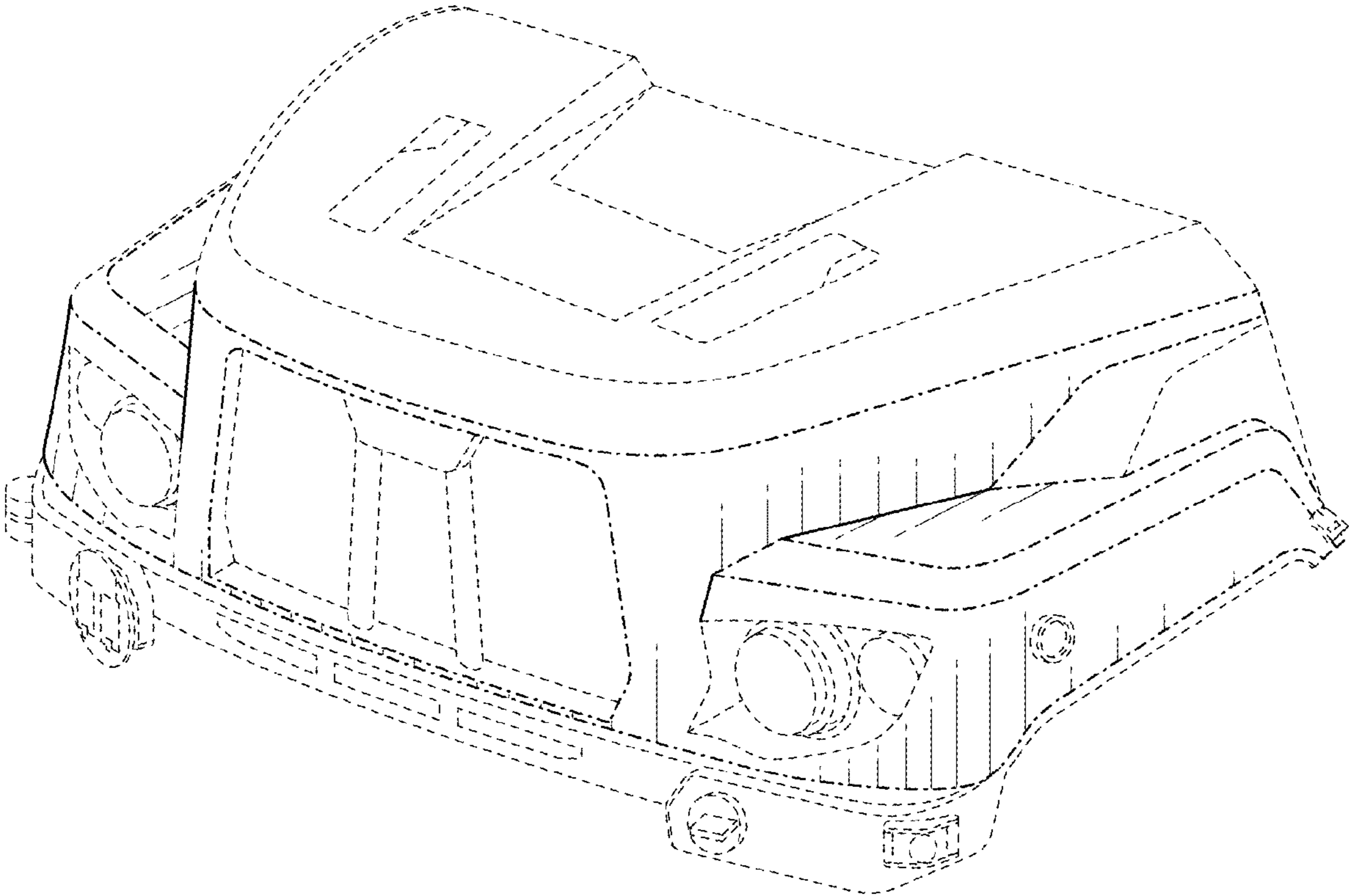


FIG. 1

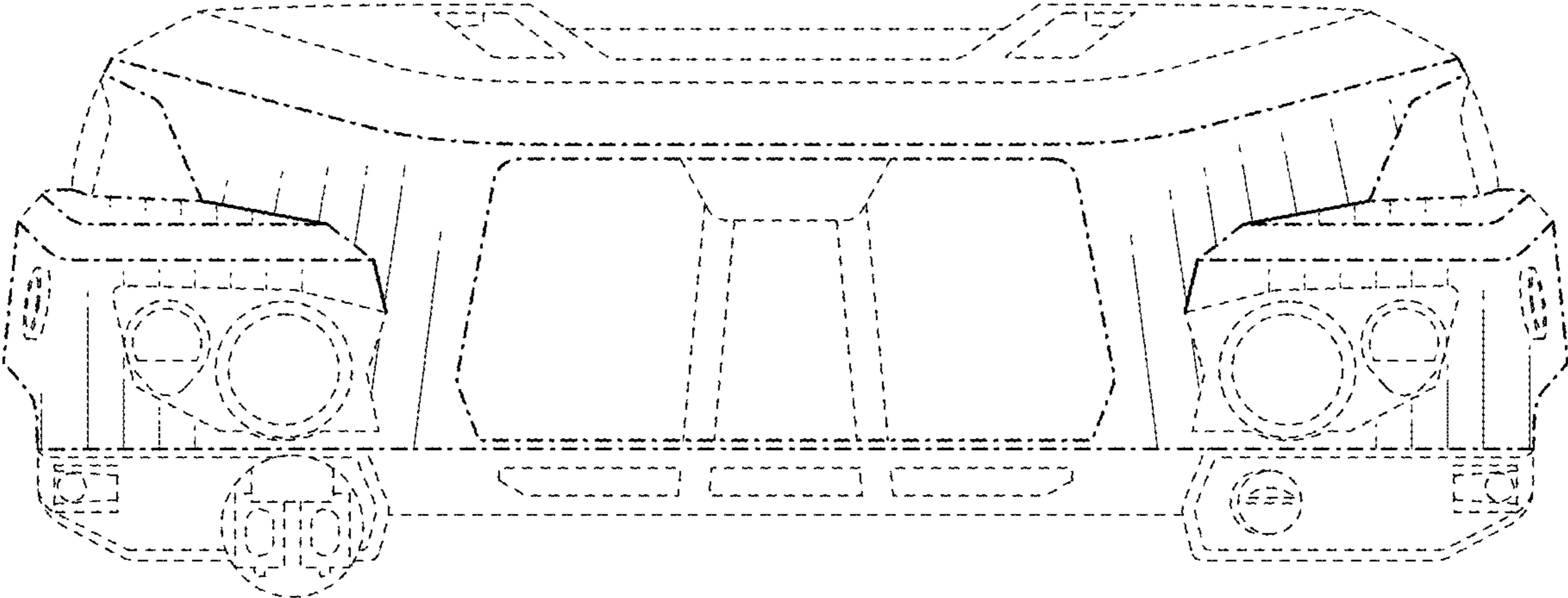


FIG. 2



FIG. 3

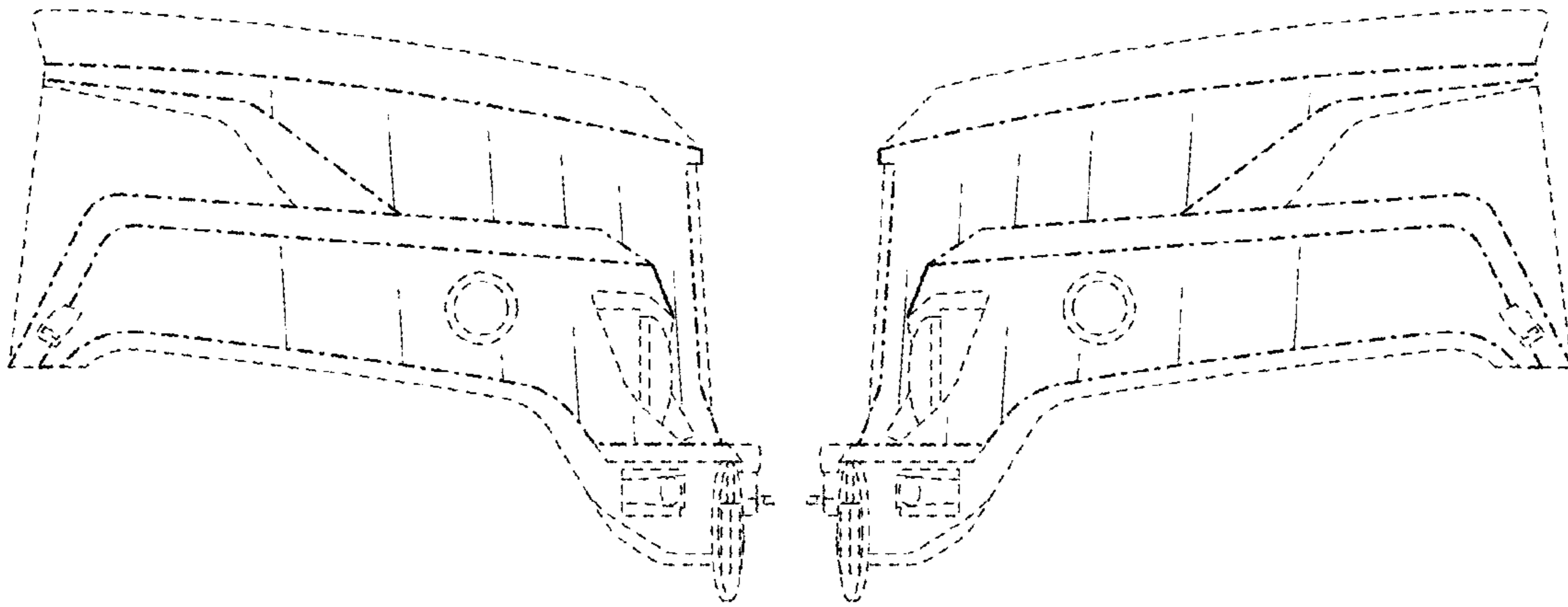


FIG. 4

FIG. 5

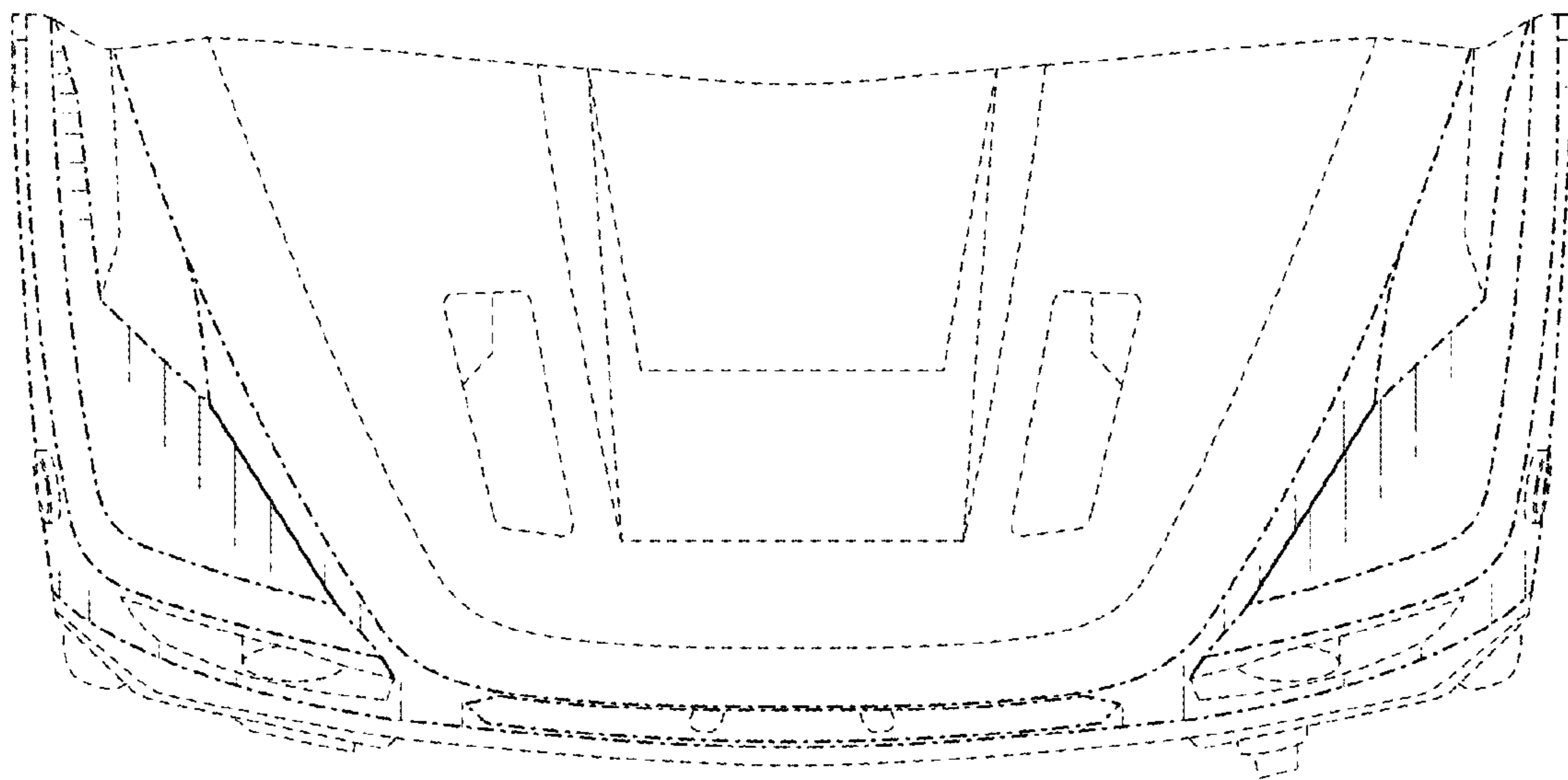


FIG. 6

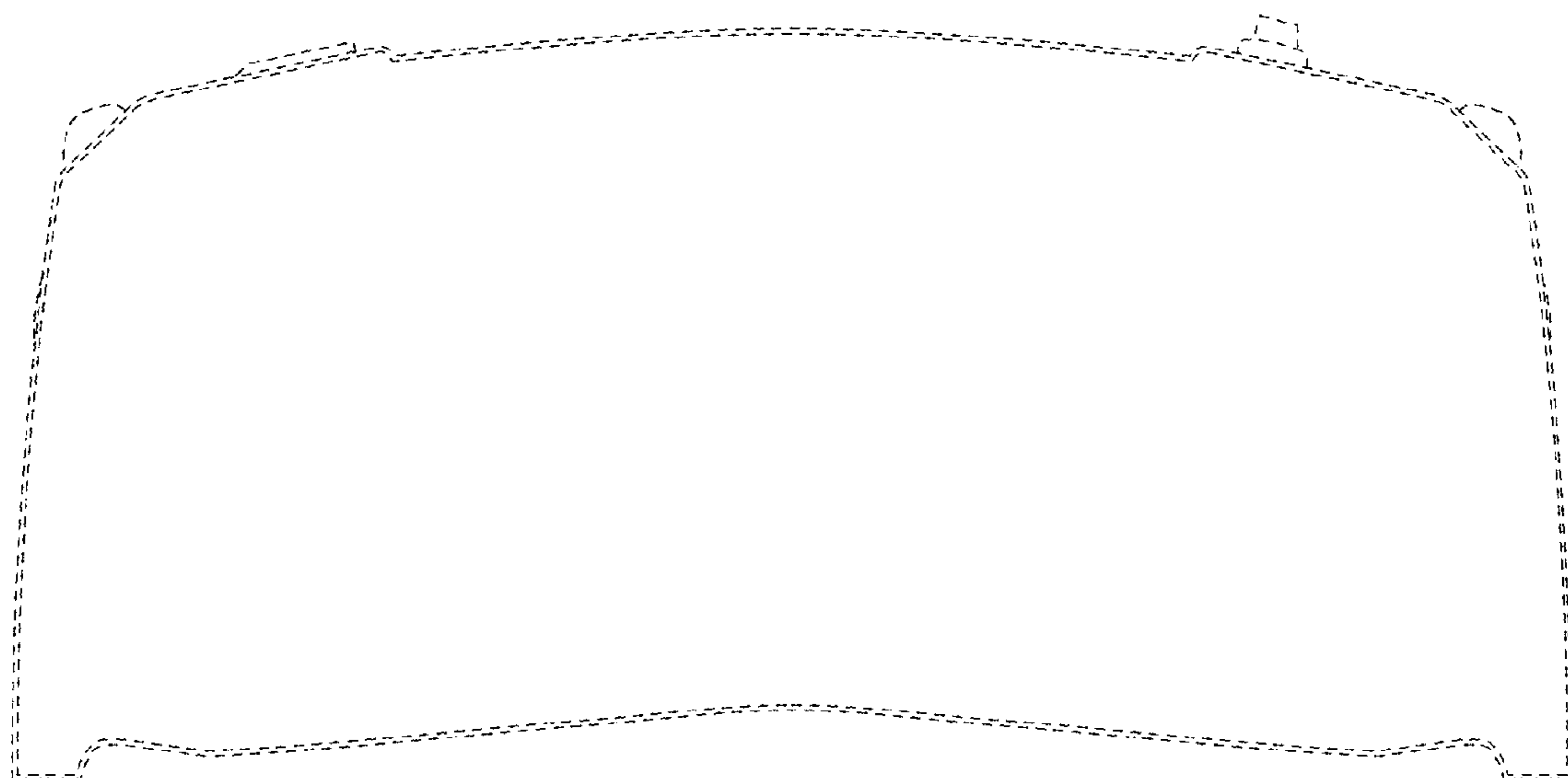


FIG. 7