



US00D902095S

(12) **United States Design Patent** (10) **Patent No.:** **US D902,095 S**
Wietrzychowski (45) **Date of Patent:** **** Nov. 17, 2020**

(54) **FRONT BUMPER FOR A VEHICLE**
(71) Applicant: **Bayerische Motoren Werke Aktiengesellschaft, Munich (DE)**
(72) Inventor: **Marco Wietrzychowski, Munich (DE)**
(73) Assignee: **Bayerische Motoren Werke Aktiengesellschaft, Munich (DE)**
(**) Term: **15 Years**
(21) Appl. No.: **29/703,000**
(22) Filed: **Aug. 23, 2019**

(30) **Foreign Application Priority Data**
Mar. 1, 2019 (DE) 40 2019 100 250
(51) **LOC (12) Cl.** **12-16**
(52) **U.S. Cl.**
USPC **D12/169**
(58) **Field of Classification Search**
USPC D12/169, 196, 86, 90-92, 163, 190, 98,
D12/164; 293/102, 113, 115, 117, 120,
293/193.11; 296/180.1, 180.2; 180/68.1,
180/68.6
CPC B60R 19/52; B60K 11/08; B62D 25/08;
B62B 9/16
See application file for complete search history.

(56) **References Cited**
U.S. PATENT DOCUMENTS
D820,743 S * 6/2018 Attar D12/169
D823,746 S 7/2018 Lim
D875,624 S * 2/2020 Tanghe D12/169
D877,668 S * 3/2020 Bucher et al. D12/169
D885,267 S * 5/2020 Tanghe D12/169

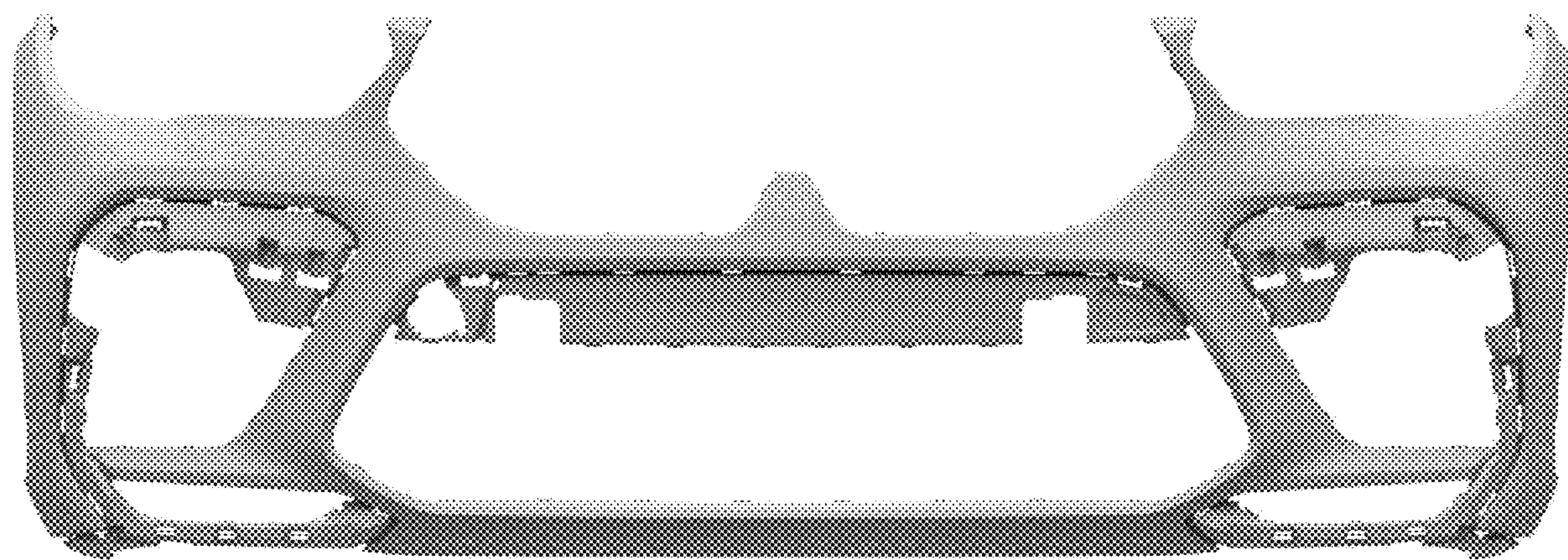
D889,330 S * 7/2020 Patel et al. D12/169
D890,649 S * 7/2020 Kang D12/169
D890,650 S * 7/2020 Kang D12/169
D890,652 S * 7/2020 Attar D12/169
D890,653 S * 7/2020 Sarrennejean D12/169
D891,323 S * 7/2020 Peplowski D12/169

* cited by examiner
Primary Examiner — Melody N Brown
(74) *Attorney, Agent, or Firm* — Crowell & Moring LLP

(57) **CLAIM**
The ornamental design for a front bumper for a vehicle, as shown and described.

DESCRIPTION
This application contains subject matter related to the following co-pending U.S. design patent applications:
Application Ser. No. 29/676,799, filed Jan. 15, 2019 and entitled "FRONT BUMPER FOR A VEHICLE;"
Application Ser. No. 29/694,275, filed Jun. 10, 2019 and entitled "FRONT BUMPER FOR A VEHICLE;"
Application Ser. No. 29/702,995, filed Aug. 23, 2019 and entitled "FRONT BUMPER FOR A VEHICLE;"
Application Ser. No. 29/691,055, filed May 14, 2019 and entitled "FRONT BUMPER FOR A VEHICLE;" and
Application Ser. No. 29/689,421 filed Apr. 30, 2019 and entitled "FRONT BUMPER FOR A VEHICLE."
FIG. 1 is a front view of a front bumper for a vehicle according to the design;
FIG. 2 is a right, front perspective view thereof;
FIG. 3 is a left, bottom perspective view thereof;
FIG. 4 is a right side view thereof;
FIG. 5 is a left side view thereof;
FIG. 6 is a top view thereof;
FIG. 7 is a bottom view thereof; and,
FIG. 8 is a rear view thereof.

1 Claim, 8 Drawing Sheets



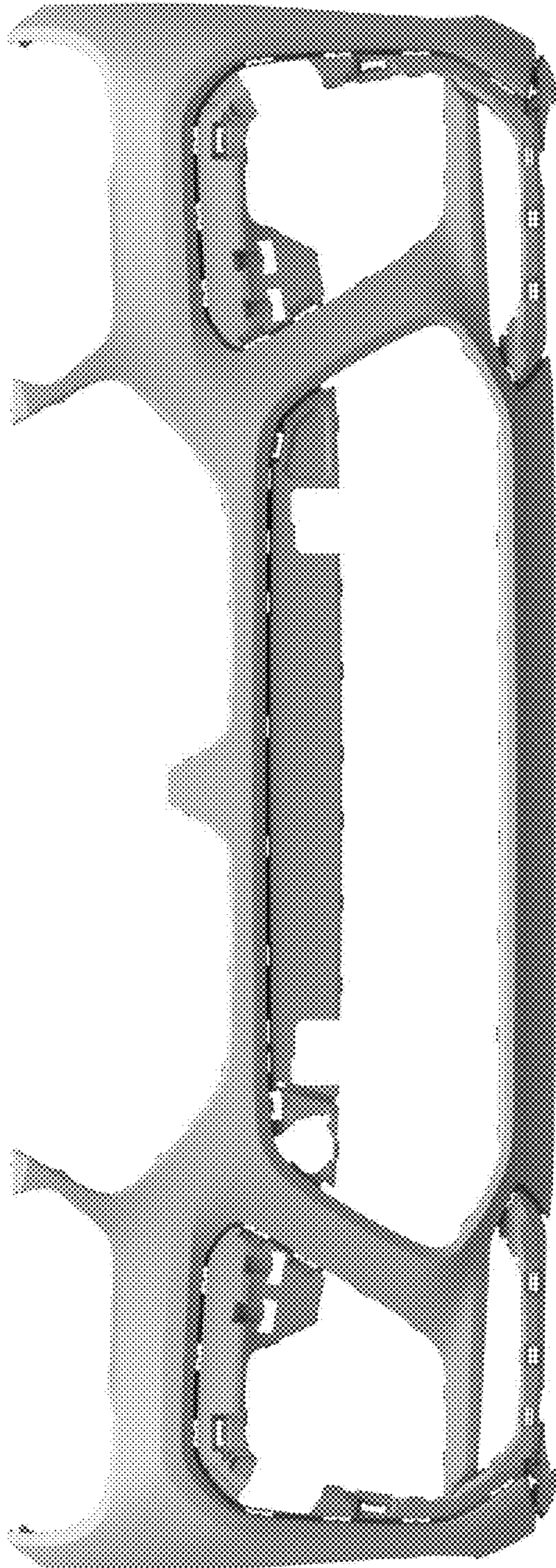


Fig. 1

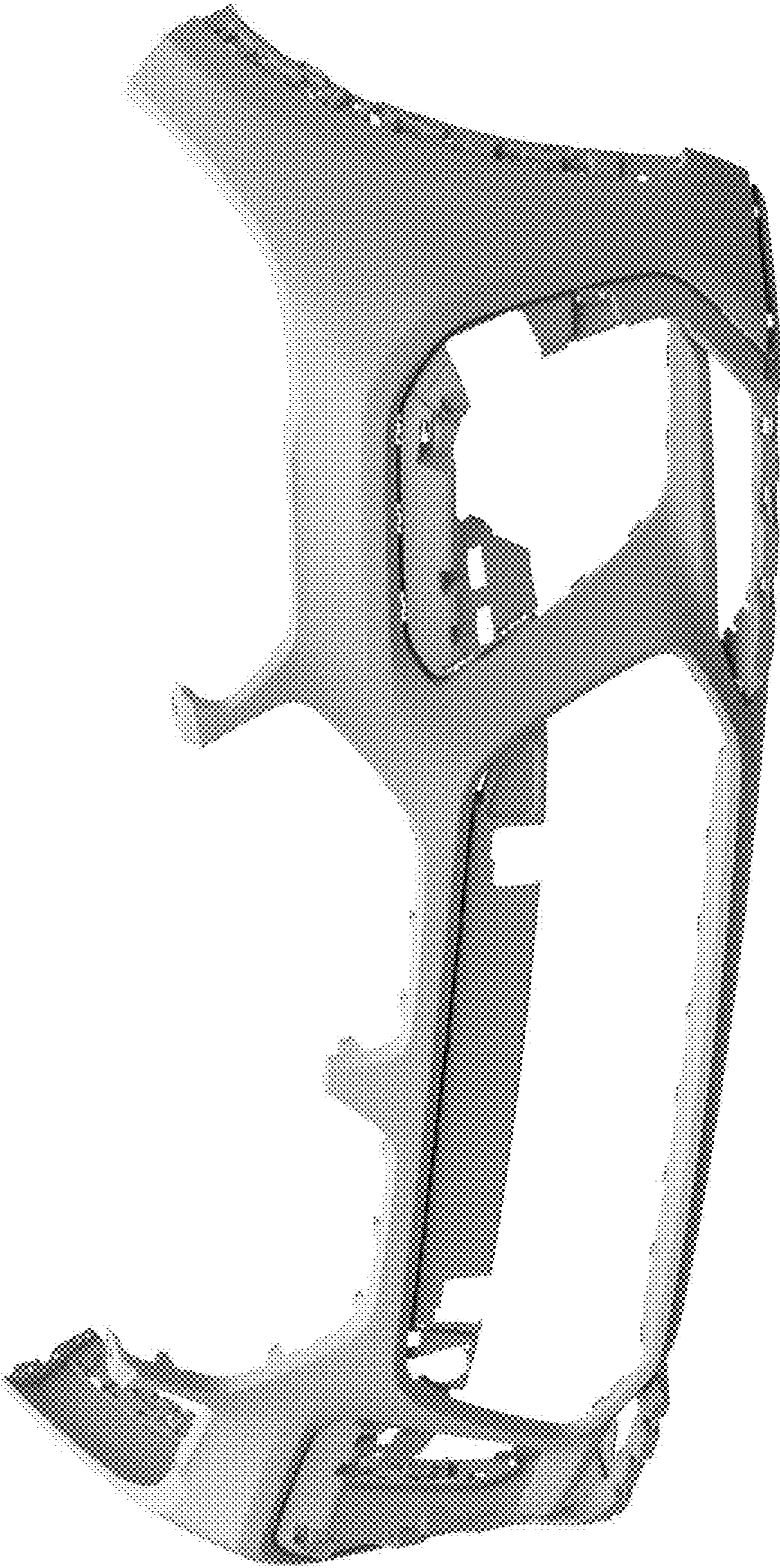


Fig. 2

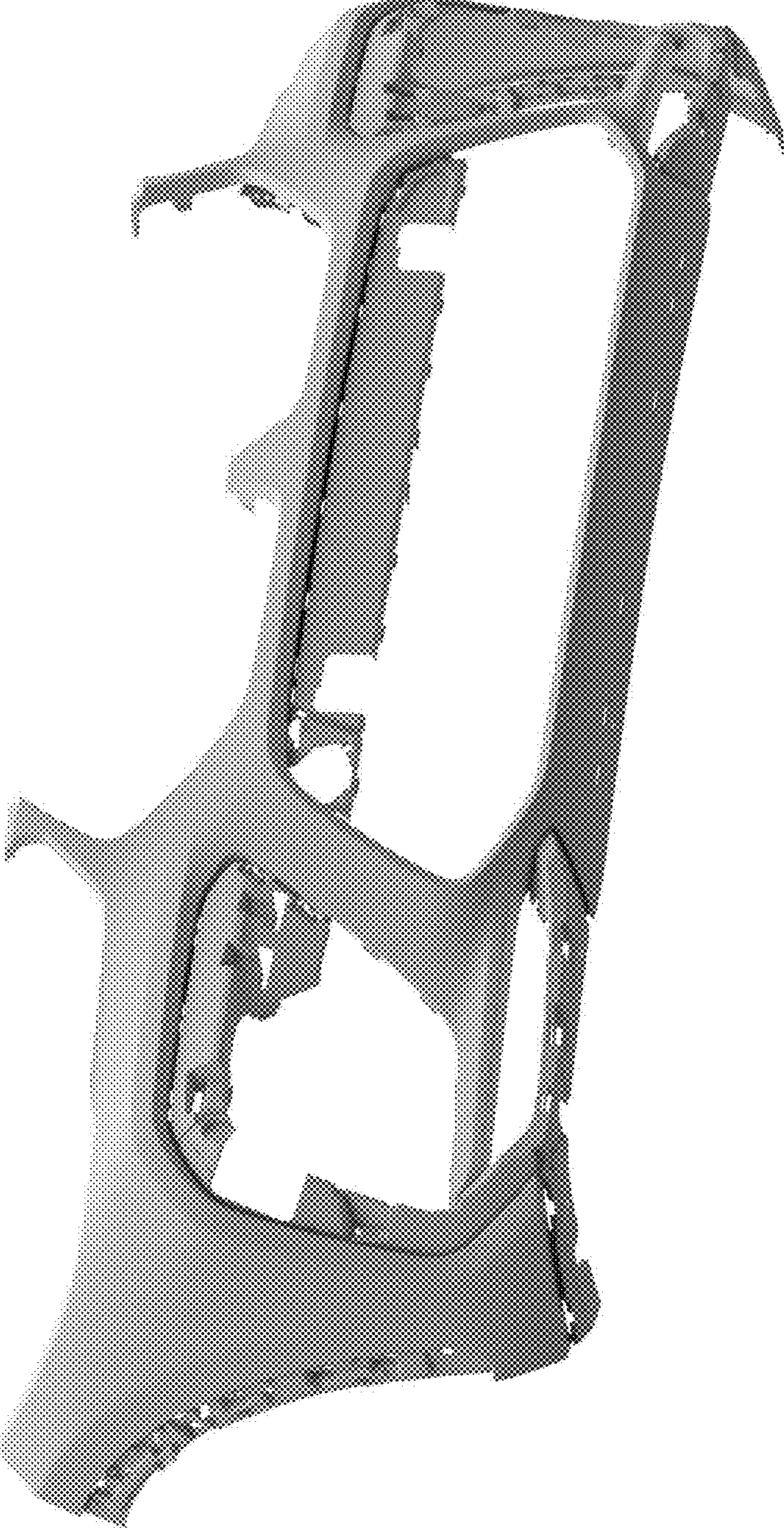


Fig. 3

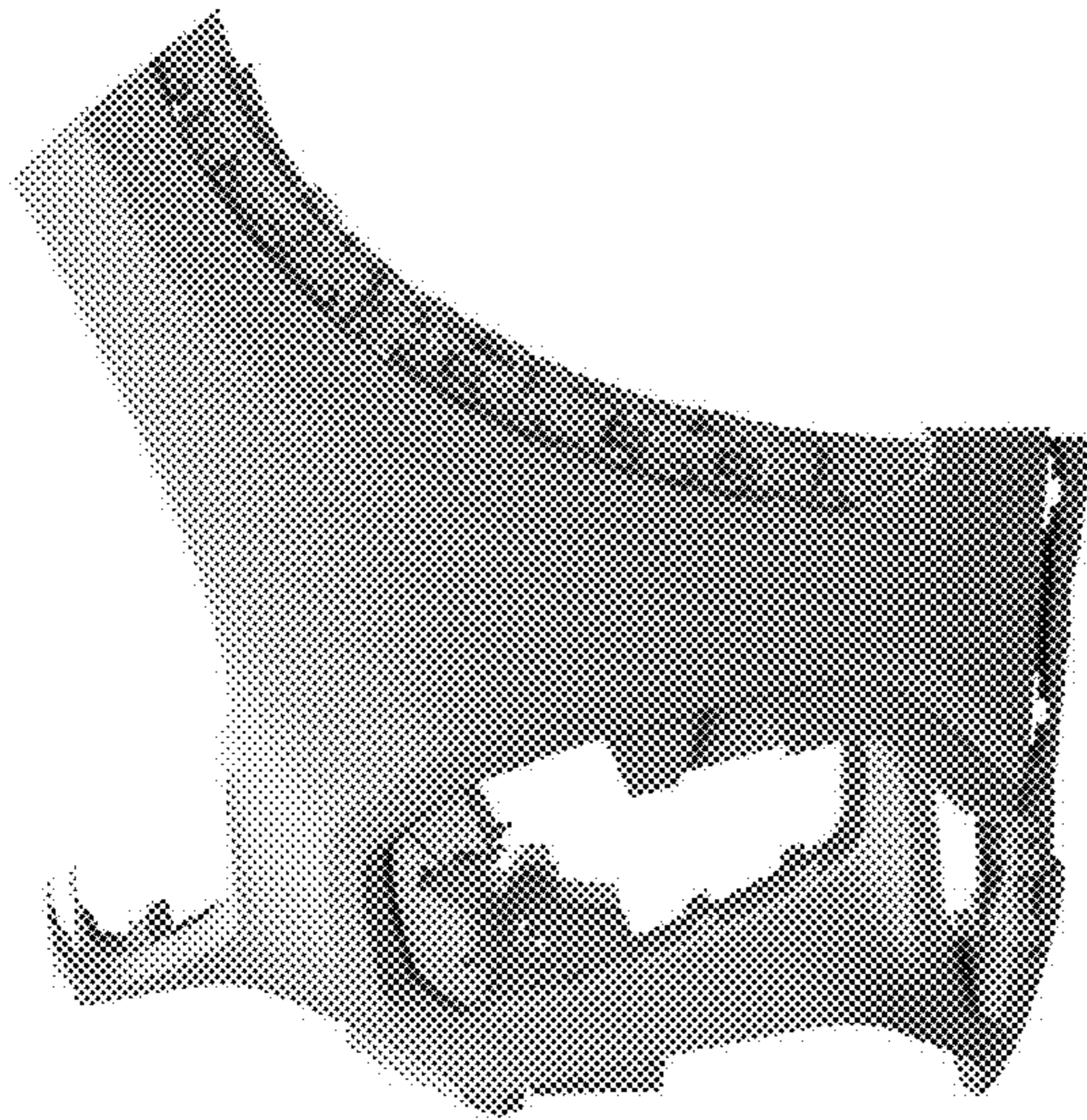


Fig. 4

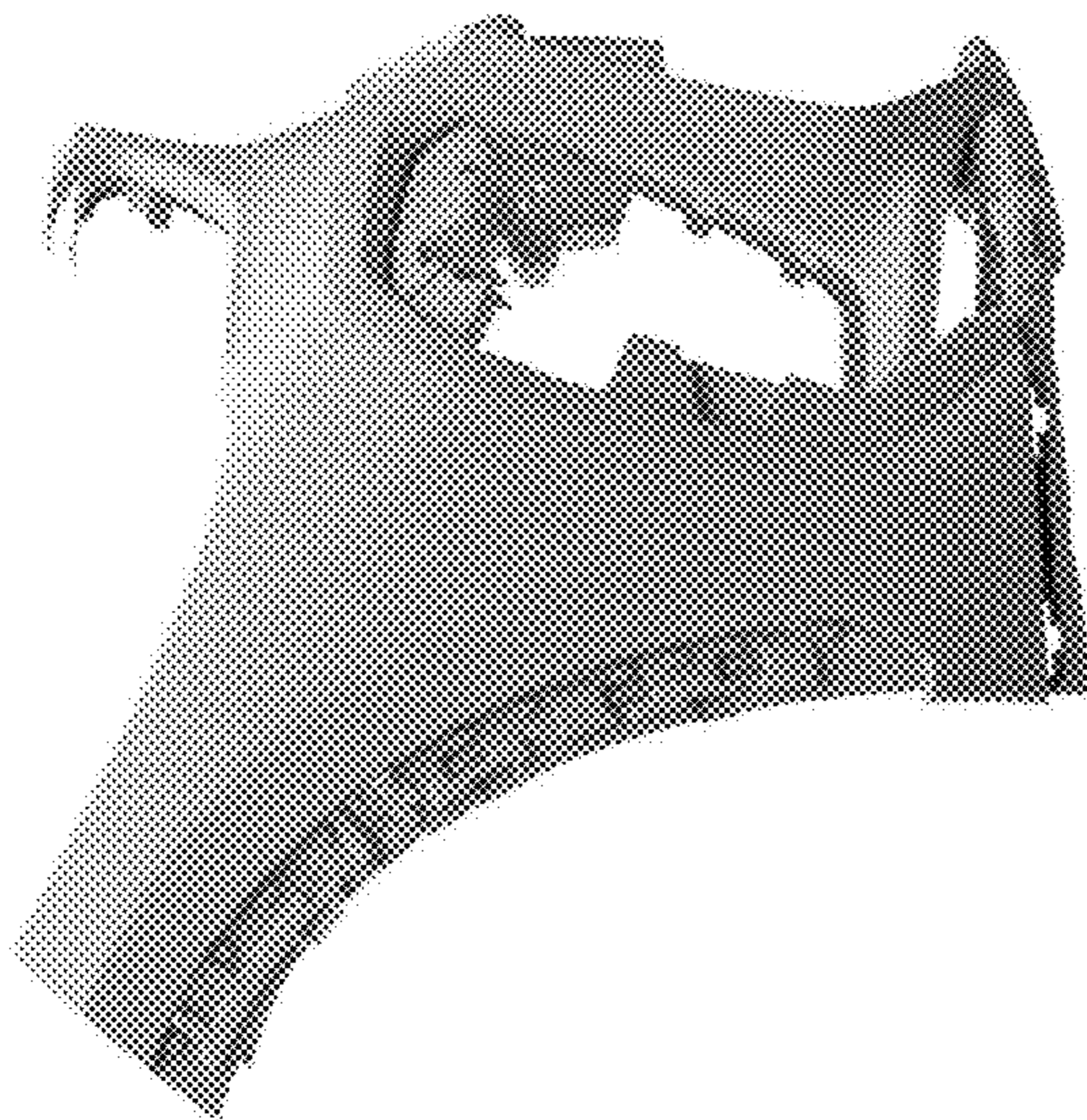


Fig. 5

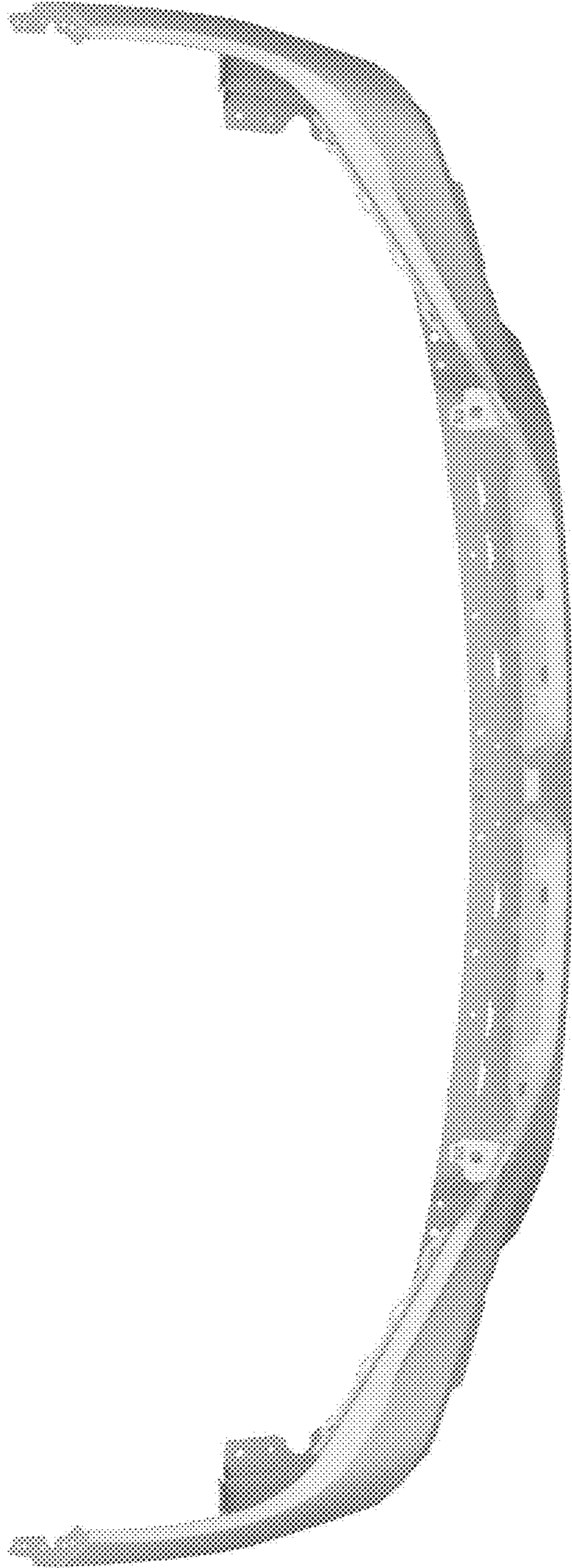


Fig. 6

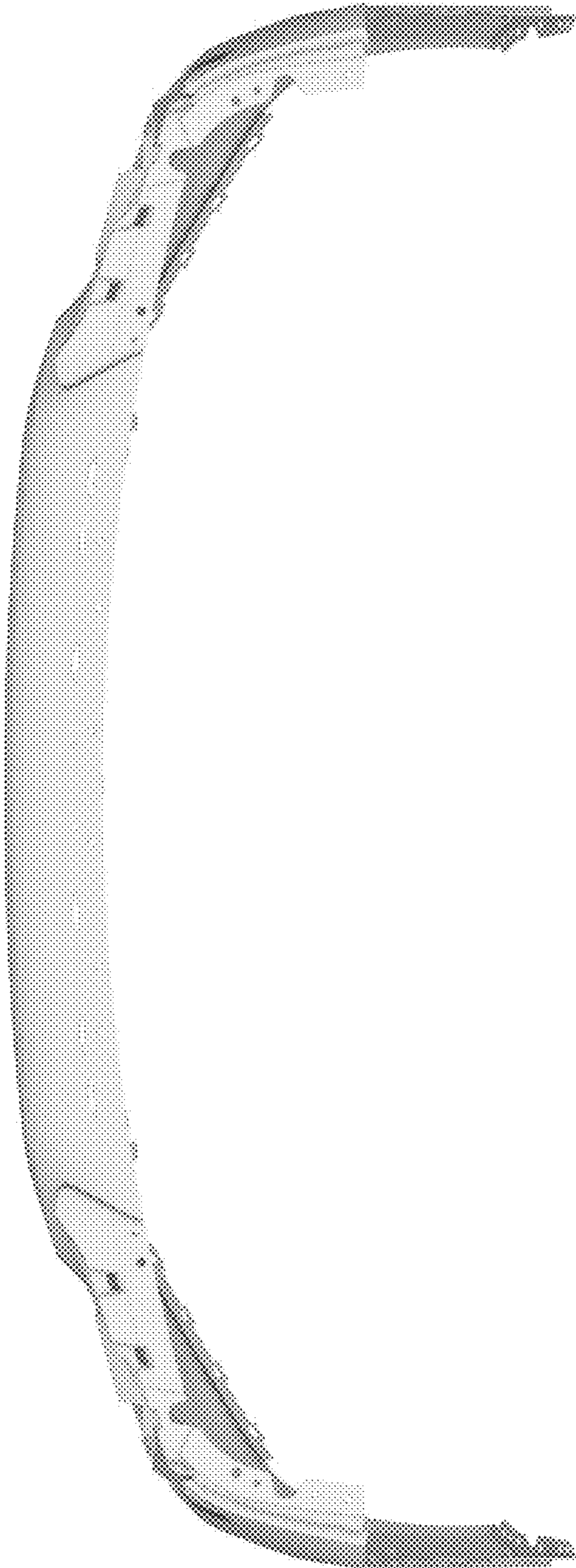


Fig. 7

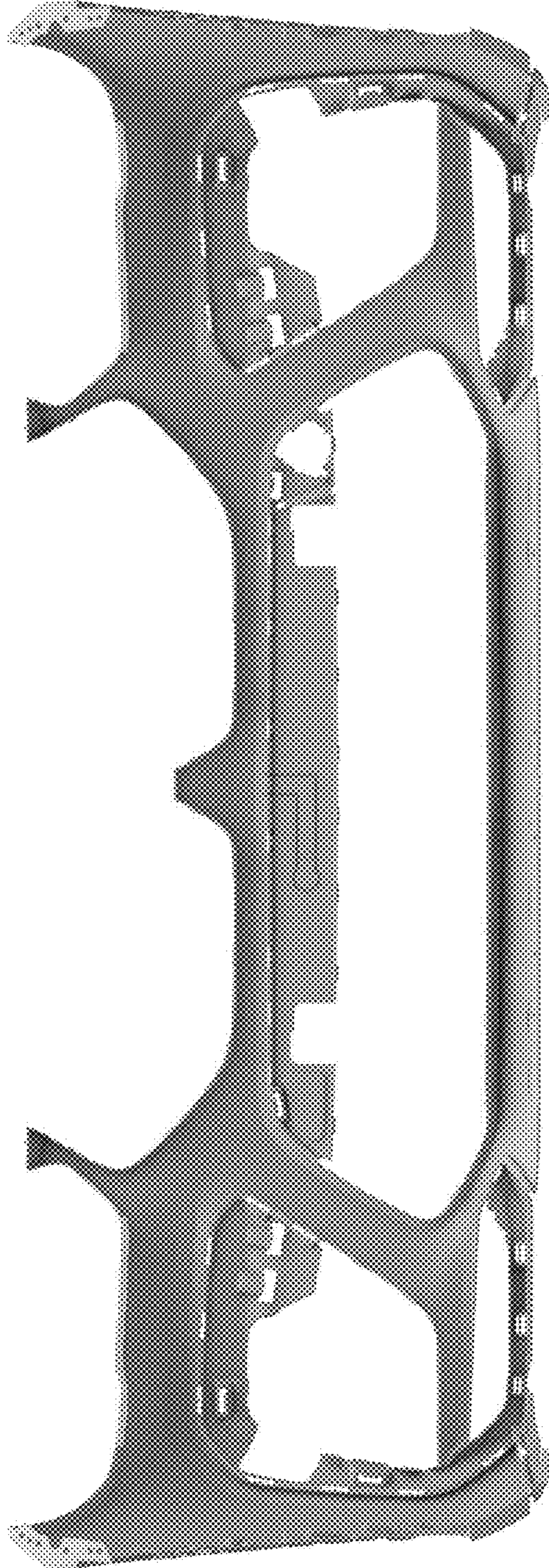


Fig. 8