



US00D902091S

(12) **United States Design Patent**
Ewing et al.

(10) **Patent No.:** **US D902,091 S**
(45) **Date of Patent:** **** Nov. 17, 2020**

(54) **MODEL VEHICLE PIVOTING AXLE CARRIER HOLDER**

(71) Applicant: **TRAXXAS LP**, McKinney, TX (US)

(72) Inventors: **Adam Cole Ewing**, McKinney, TX (US); **Jory Sprowl**, Honey Grove, TX (US); **Otto Karl Allmendinger**, Rowlett, TX (US)

(73) Assignee: **TRAXXAS LP**, McKinney, TX (US)

(**) Term: **15 Years**

(21) Appl. No.: **29/705,189**

(22) Filed: **Sep. 10, 2019**

(51) **LOC (12) Cl.** **12-16**

(52) **U.S. Cl.**
USPC **D12/159; D21/562; D21/495**

(58) **Field of Classification Search**
USPC **D12/159; D21/495, 561-562**
CPC **B60G 3/08; B60G 9/02**
See application file for complete search history.

(56) **References Cited**

U.S. PATENT DOCUMENTS

1,377,905 A	5/1921	Martz
1,455,706 A	5/1923	Bower et al.
2,041,992 A	5/1936	Charles
2,083,085 A	6/1937	Palmer
2,132,545 A	10/1938	Smith
2,547,435 A	4/1951	Bouchard
3,306,077 A	2/1967	Piatti
3,333,654 A	8/1967	Price-Stephens
3,767,221 A	10/1973	Asberg
D242,442 S	11/1976	Garrison
4,509,932 A	4/1985	Weible

(Continued)

FOREIGN PATENT DOCUMENTS

DE 102008057196 A1 * 7/2009 B62D 21/11

OTHER PUBLICATIONS

Axial; Axial SCX10 II; Aug. 2016.

(Continued)

Primary Examiner — Michael A. Pratt

(74) *Attorney, Agent, or Firm* — Daryl R. Wright; Greg Carr

(57) **CLAIM**

We claim the ornamental design for a model vehicle pivoting axle carrier holder, as shown and described.

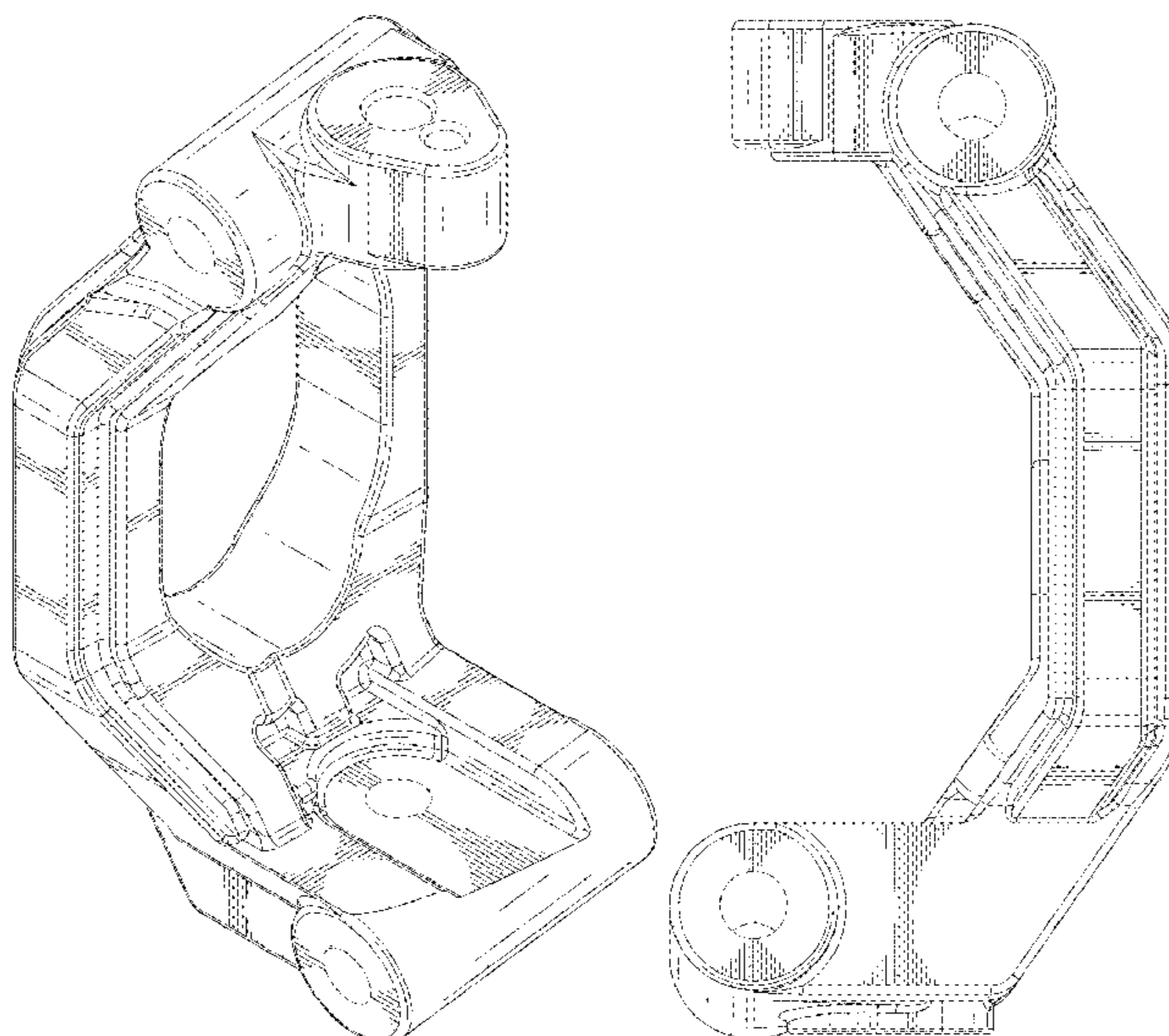
DESCRIPTION

FIG. 1 is an upper, left, front perspective view of a model vehicle pivoting axle carrier holder; FIG. 2 is a front elevation view thereof; FIG. 3 is a rear elevation view thereof; FIG. 4 is a right side elevation view thereof; FIG. 5 is a left side elevation view thereof; FIG. 6 is a top plan view thereof; FIG. 7 is a bottom plan view thereof; and, FIG. 8 is an upper, left, front perspective environmental use view of the model vehicle pivoting axle carrier holder.

In the drawings, the broken line showing of features of the model vehicle pivoting axle carrier holder illustrate portions of the model vehicle pivoting axle carrier holder that form no part of the claimed design; whereas, the broken line showing of the environmental use view depicts environmental subject matter and is provided for the purposes of illustrating environmental use structure and context and also forms no part of the claimed design.

In the drawings, only the first embodiment of the model vehicle pivoting axle carrier holder is shown. The second embodiment of the claimed design is a right model vehicle pivoting axle carrier holder which is a mirror image of the left model vehicle pivoting axle carrier holder disclosed in the first embodiment.

1 Claim, 8 Drawing Sheets



(56)

References Cited

U.S. PATENT DOCUMENTS

4,632,203 A 12/1986 Krude
 4,690,656 A 9/1987 Friendman et al.
 D304,472 S 11/1989 Poulsen
 D304,473 S 11/1989 Poulsen
 D311,942 S 11/1990 Dideriksen
 D332,978 S 2/1993 Tsuchiya
 D341,560 S 11/1993 Fabris et al.
 5,338,247 A 8/1994 Miles
 5,498,208 A 3/1996 Braun
 D403,023 S 12/1998 Araki
 5,954,586 A 9/1999 Kirson
 6,394,878 B1 5/2002 Wang
 6,416,136 B1 7/2002 Smith
 6,478,709 B1 11/2002 Irwin et al.
 6,513,614 B2 2/2003 Knutson et al.
 6,773,353 B2 8/2004 Cornay et al.
 6,820,707 B1 11/2004 Cantemir
 7,144,326 B2 12/2006 Thompson
 7,690,660 B2 4/2010 Dudding et al.
 7,810,604 B2 10/2010 Byers et al.
 7,841,923 B2 11/2010 Marzetta et al.
 D686,677 S 7/2013 Simonds
 D686,952 S 7/2013 Rau et al.
 8,540,260 B1 9/2013 Batdorf et al.
 8,574,022 B2 11/2013 Grisolia et al.
 8,893,364 B2 11/2014 Rode
 D822,125 S 7/2018 Ewing et al.
 D826,340 S * 8/2018 Ewing D21/561
 D847,911 S 5/2019 Wood
 D847,912 S 5/2019 Wood
 D866,683 S 11/2019 Ewing et al.
 D868,171 S 11/2019 Wood
 D869,348 S 12/2019 Kucharski
 2002/0065021 A1 5/2002 Wang

2002/0160688 A1 10/2002 Rehkemper et al.
 2002/0165031 A1 11/2002 Riefe
 2004/0005931 A1 1/2004 Wang et al.
 2004/0231910 A1 11/2004 Mercier et al.
 2005/0206222 A1 9/2005 Swanson
 2006/0240897 A1 10/2006 Carlini et al.
 2007/0256659 A1* 11/2007 Anderson B60G 15/067
 123/198 R
 2007/0293328 A1 12/2007 Mazziotti
 2008/0238015 A1 10/2008 Duddling et al.
 2009/0020973 A1 1/2009 Richardson
 2009/0029821 A1 1/2009 Martin, III et al.
 2009/0039700 A1 2/2009 Gradu et al.
 2009/0173033 A1* 7/2009 Baxter, Jr. A63J 1/00
 52/646
 2011/0001350 A1 1/2011 Schmitz et al.
 2011/0057408 A1 3/2011 Koschinat
 2011/0315468 A1* 12/2011 Sellars B62K 5/01
 180/350
 2013/0278047 A1 10/2013 Gottschalk
 2017/0028517 A1 2/2017 Ferrari
 2017/0050483 A1* 2/2017 Gordon B60G 3/145
 2017/0370465 A1 12/2017 Fast et al.
 2020/0282792 A1* 9/2020 Hafele B60G 3/14

OTHER PUBLICATIONS

Bomber; Bomber Fabrication Gusset Kit; Aug. 2016.
 Wikipedia; Dana 44 Axle; Aug. 2016.
 Reid Racing; Reid Racing Axle Products; Aug. 2016.
 Currie; Currie RockJock 79 Axle; Aug. 2016.
 Xray Model Racing Cars; "T1R Raycer—Instruction Manual;"
 Xray Model Racing Cars, Trencin, Slovak Republic, Europe.
 Traxxas; "T-Maxx Assemblies-Front Assembly;" Traxxas LP, Plano,
 Texas.

* cited by examiner

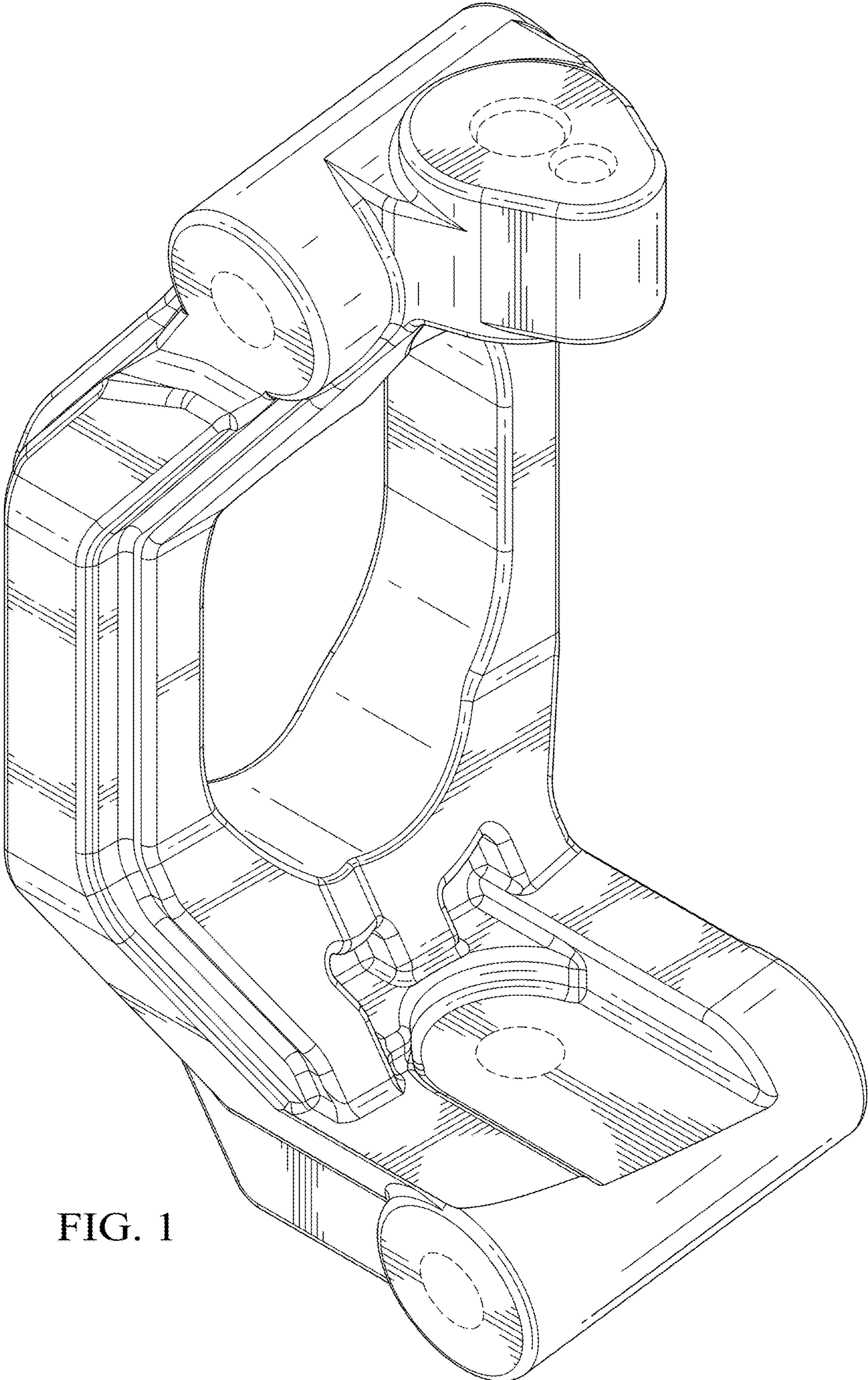


FIG. 1

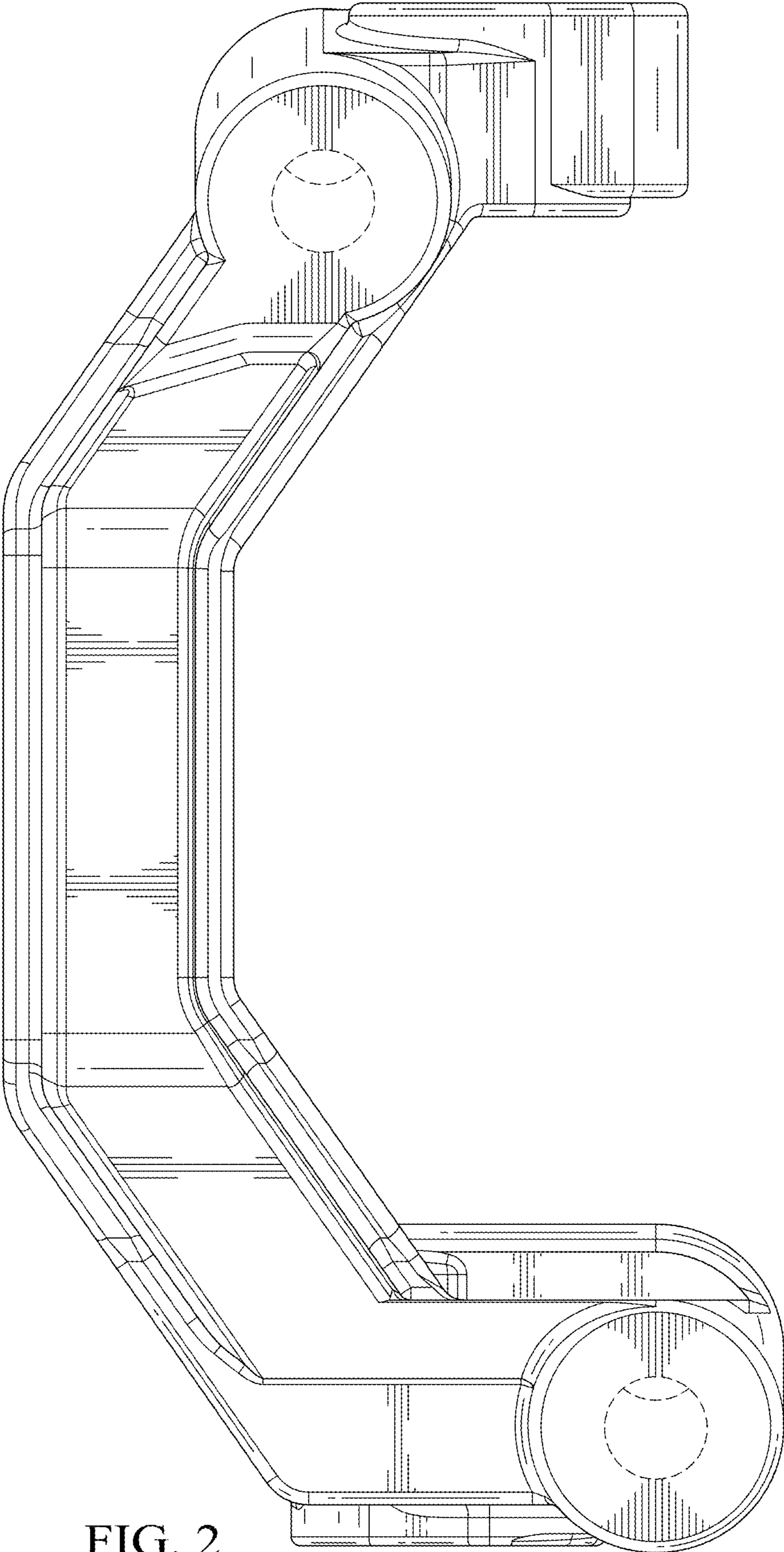


FIG. 2

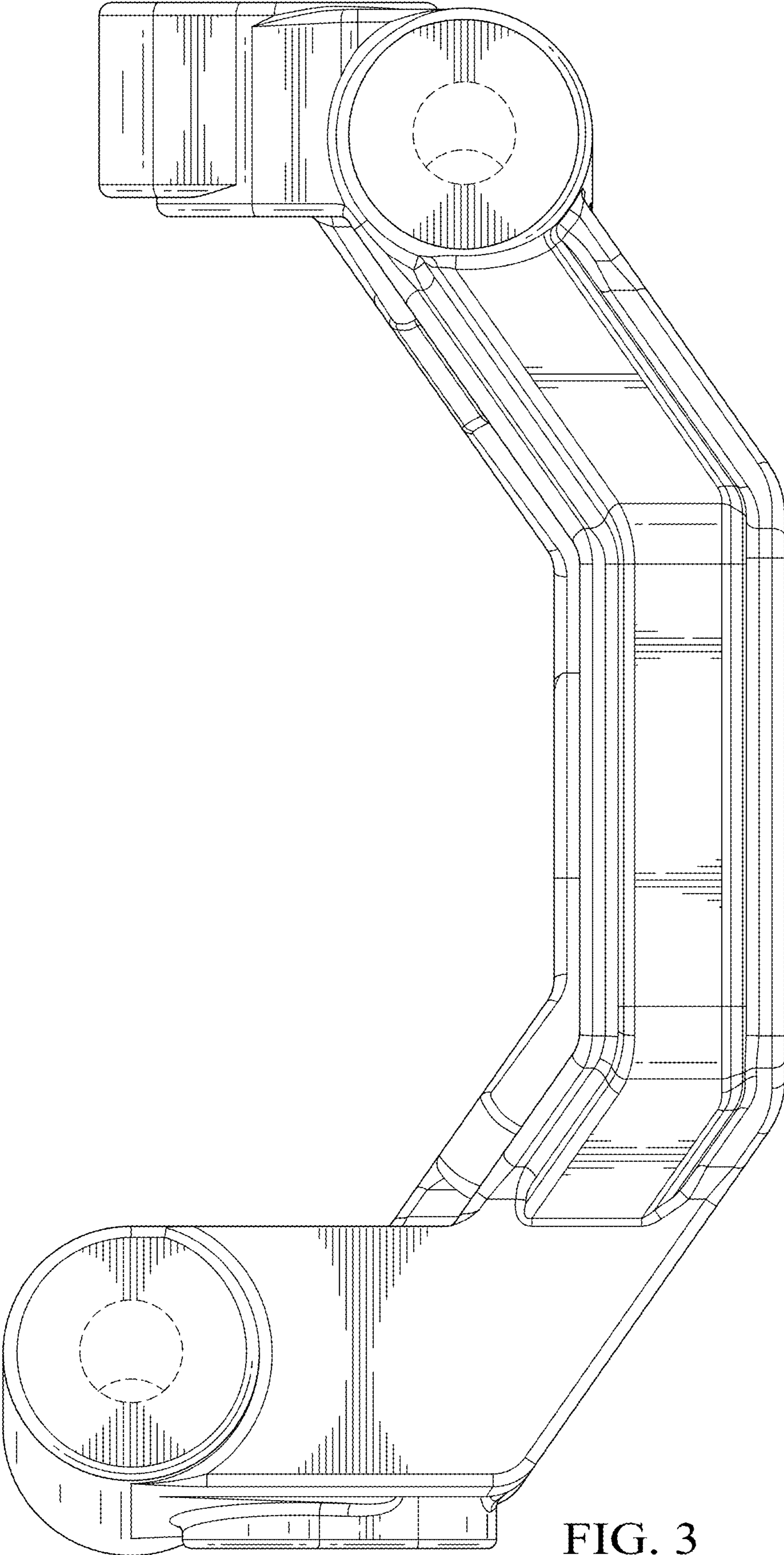


FIG. 3

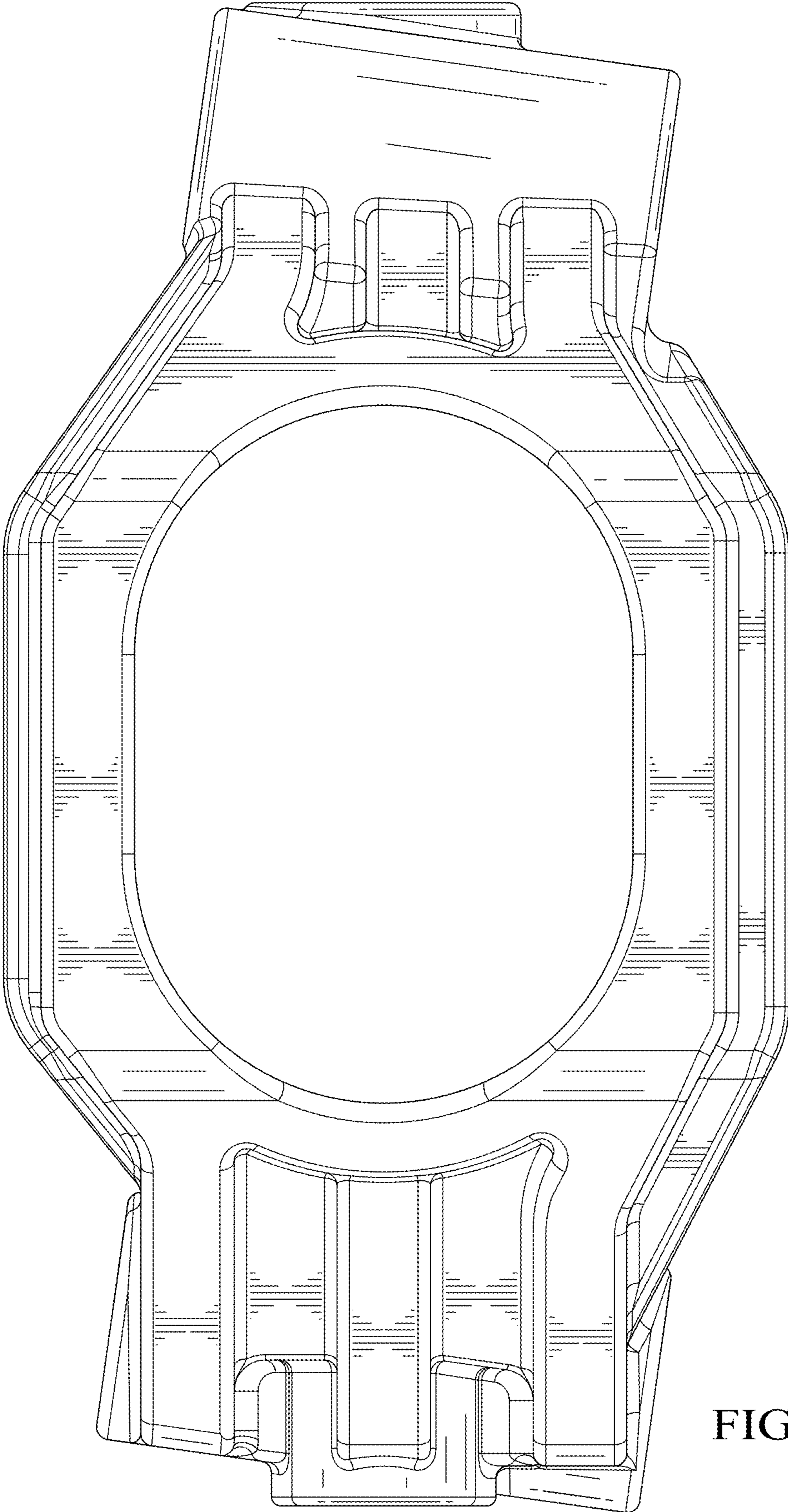


FIG. 4

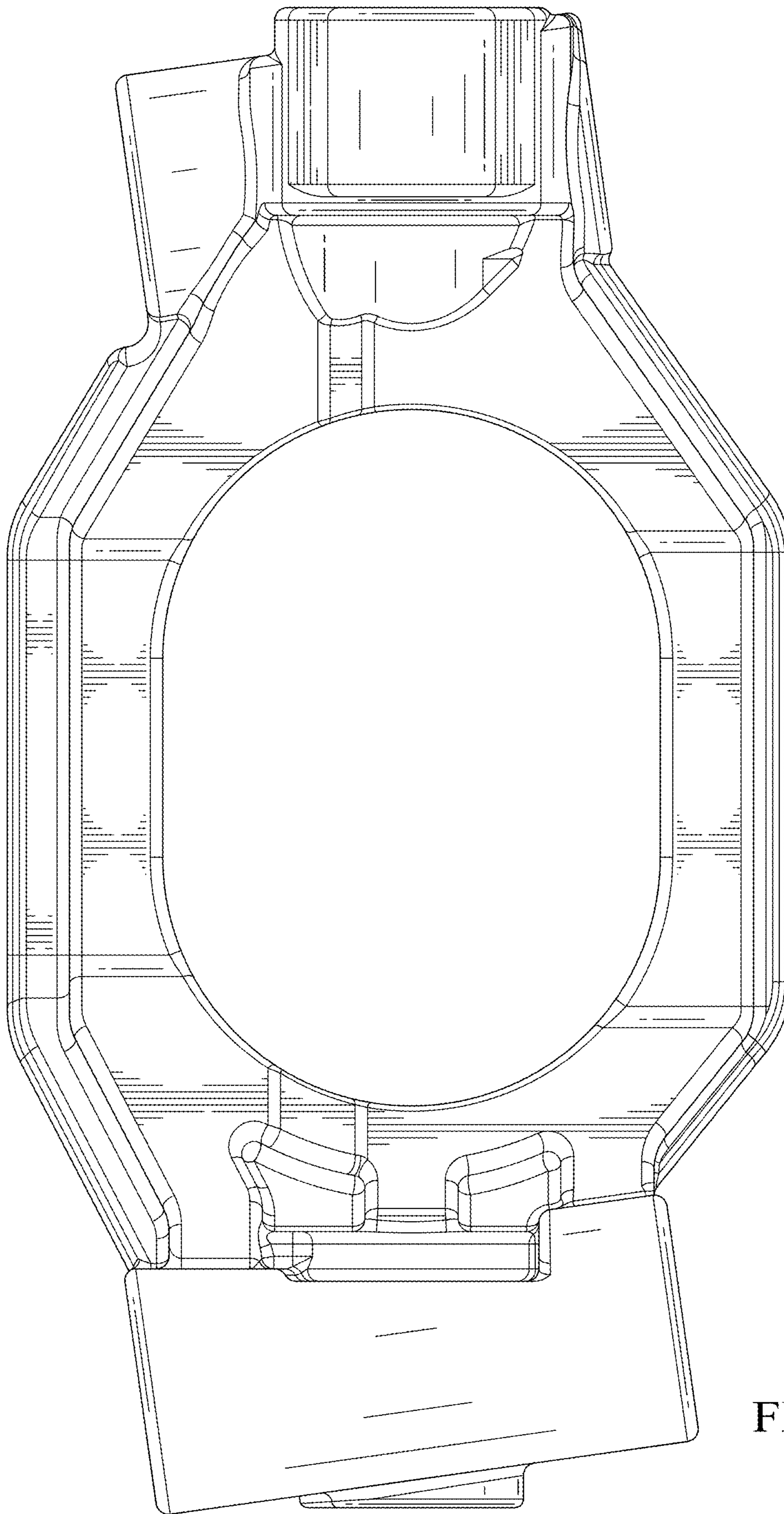


FIG. 5

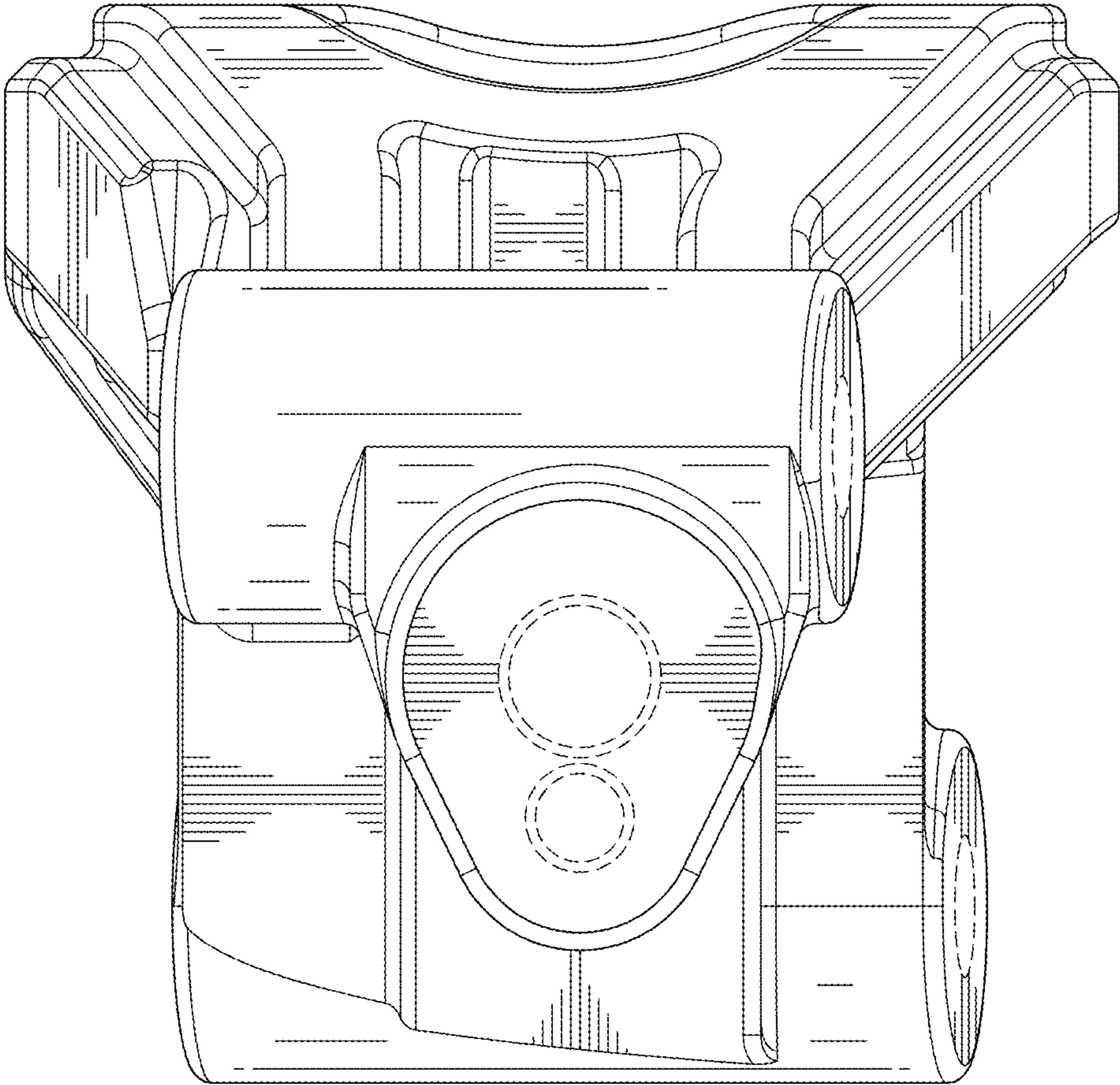


FIG. 6

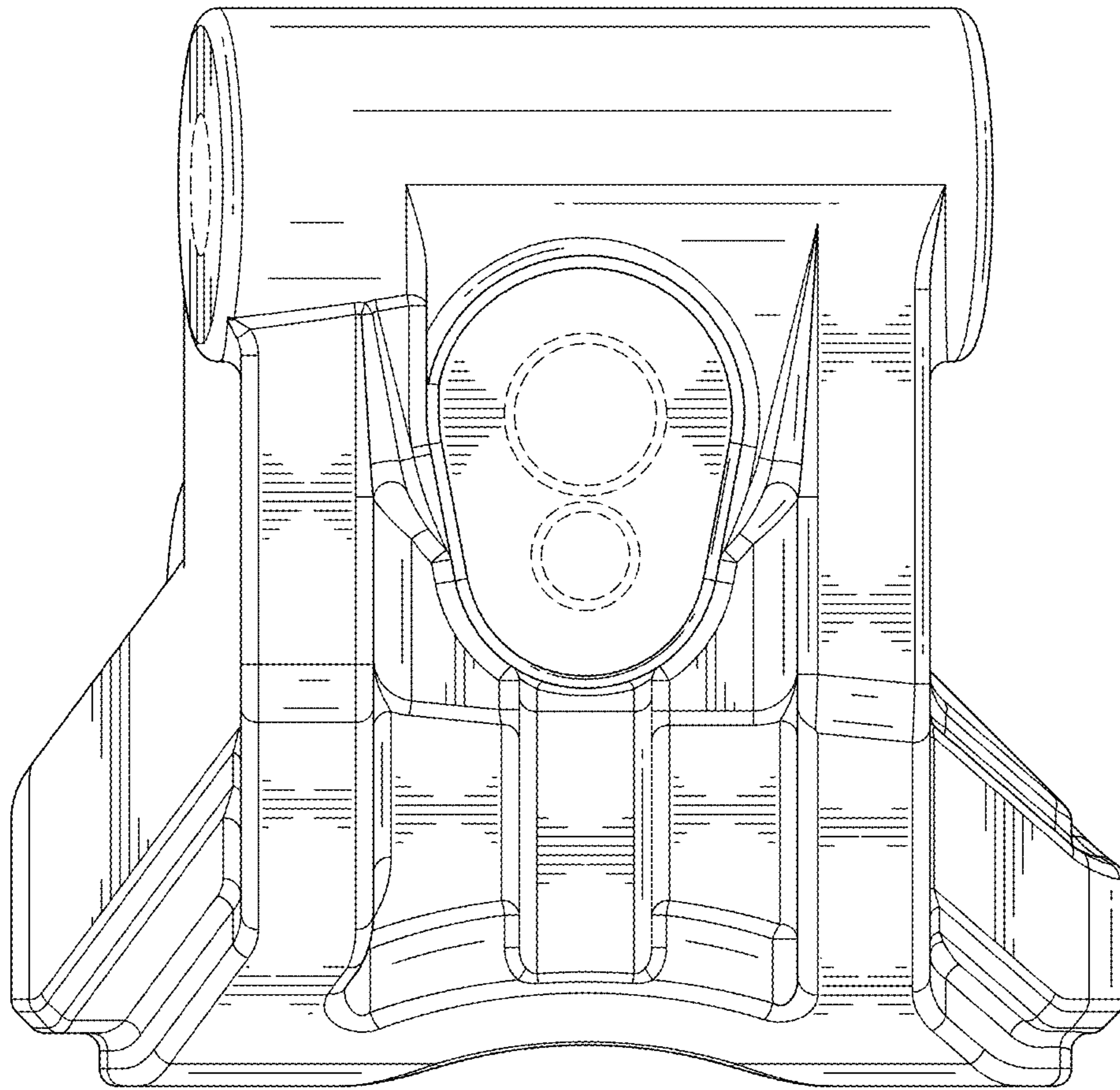


FIG. 7

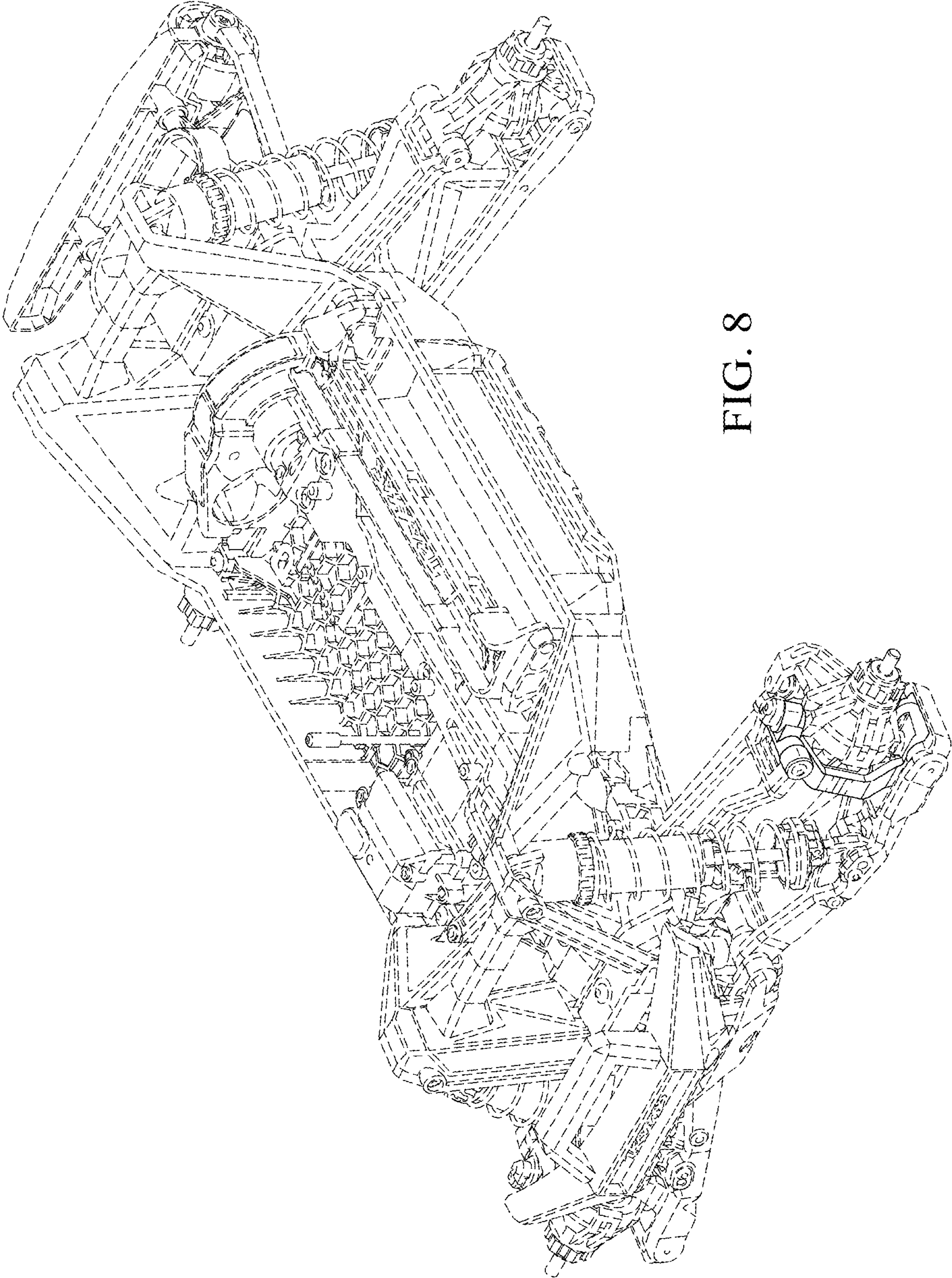


FIG. 8