



US00D902086S

(12) **United States Design Patent** (10) **Patent No.:** **US D902,086 S**
Tan (45) **Date of Patent:** **** Nov. 17, 2020**

(54) **BICYCLE FORK**
(71) Applicant: **Lye Wee Tan**, Singapore (SG)
(72) Inventor: **Lye Wee Tan**, Singapore (SG)
(**) Term: **15 Years**
(21) Appl. No.: **29/663,695**
(22) Filed: **Sep. 18, 2018**
(51) **LOC (12) Cl.** **12-11**
(52) **U.S. Cl.**
USPC **D12/118**
(58) **Field of Classification Search**
USPC D12/111, 107, 114, 117, 159, 118;
D21/419, 424, 427, 432, 663, 664, 666,
D21/697
CPC . B62K 3/00; B62K 3/005; B62K 3/02; B62K
3/04; B62K 11/00; B62K 11/02; B62K
11/10; B62K 11/14; B62K 9/02; B62K
21/12; B62K 21/16; B62K 21/26; B62K
21/02; B62K 21/04; B62K 21/06; B62K
15/006; B62K 2201/04; B62K 25/04;
B62K 25/08; B62K 25/16; B62K 25/30;
B62K 19/02; B62K 19/08; B62K 19/16
See application file for complete search history.

(56) **References Cited**
U.S. PATENT DOCUMENTS
D344,253 S * 2/1994 Bishop D12/118
D376,997 S * 12/1996 Camfield D12/111
6,694,842 B1 * 2/2004 Chen B62K 9/00
280/279
D494,108 S * 8/2004 Liao D12/118

D498,438 S * 11/2004 Ying D12/111
D734,219 S * 7/2015 Gustaffson D12/118
2017/0144722 A1 * 5/2017 Marui B62K 21/18

FOREIGN PATENT DOCUMENTS

DE 102017203087 A1 * 9/2017 B62K 21/18
GB 238370 A * 8/1925 B62K 25/24
WO WO-D050305-002 * 11/1999
WO WO-2017134517 A1 * 8/2017 B62K 21/02

* cited by examiner

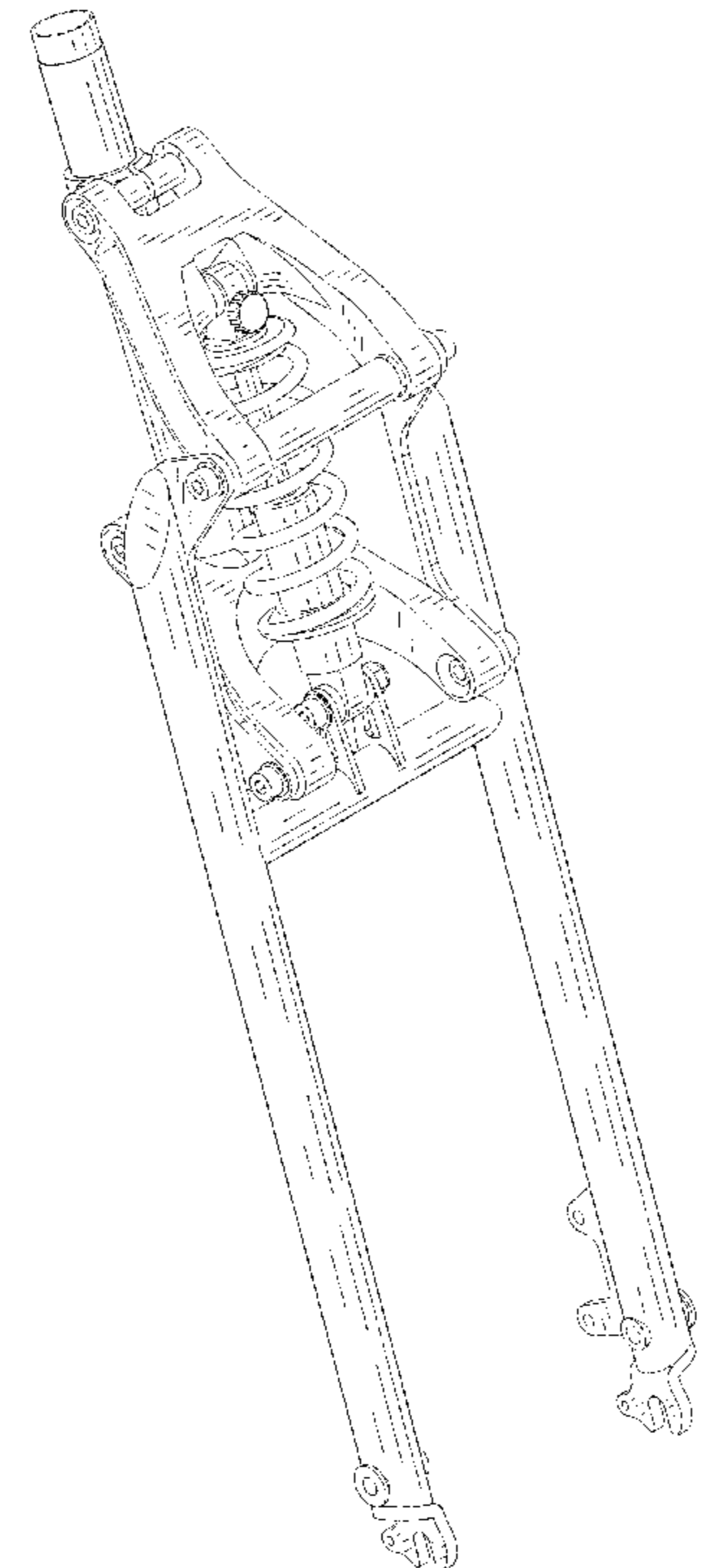
Primary Examiner — Sheryl Lane
Assistant Examiner — Samantha N Wood
(74) *Attorney, Agent, or Firm* — Muncy, Geissler, Olds & Lowe, P.C.

(57) **CLAIM**
I claim the ornamental design for a bicycle fork, as shown and described.

DESCRIPTION

FIG. 1 is a top, front, right perspective view of a bicycle fork showing my new design;
FIG. 2 is a front elevational view thereof;
FIG. 3 is a rear elevational view thereof;
FIG. 4 is a left side view thereof;
FIG. 5 is a right side view thereof;
FIG. 6 is a top plan view thereof;
FIG. 7 is a bottom plan view thereof;
FIG. 8 is a top, rear, left perspective view thereof; and,
FIG. 9 is a bottom, front, right perspective view.
The broken lines in the drawings illustrate portions of the bicycle fork which form no part of the claimed design.

1 Claim, 8 Drawing Sheets



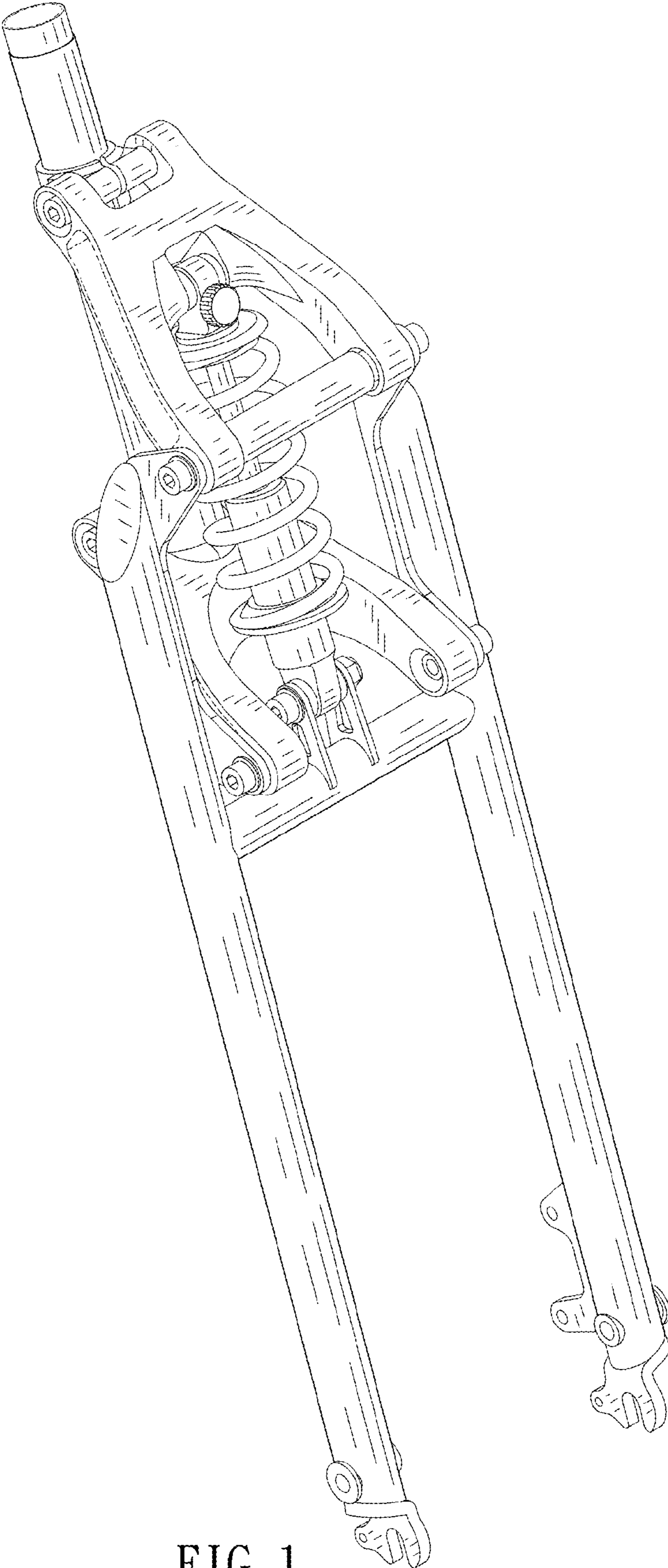


FIG. 1

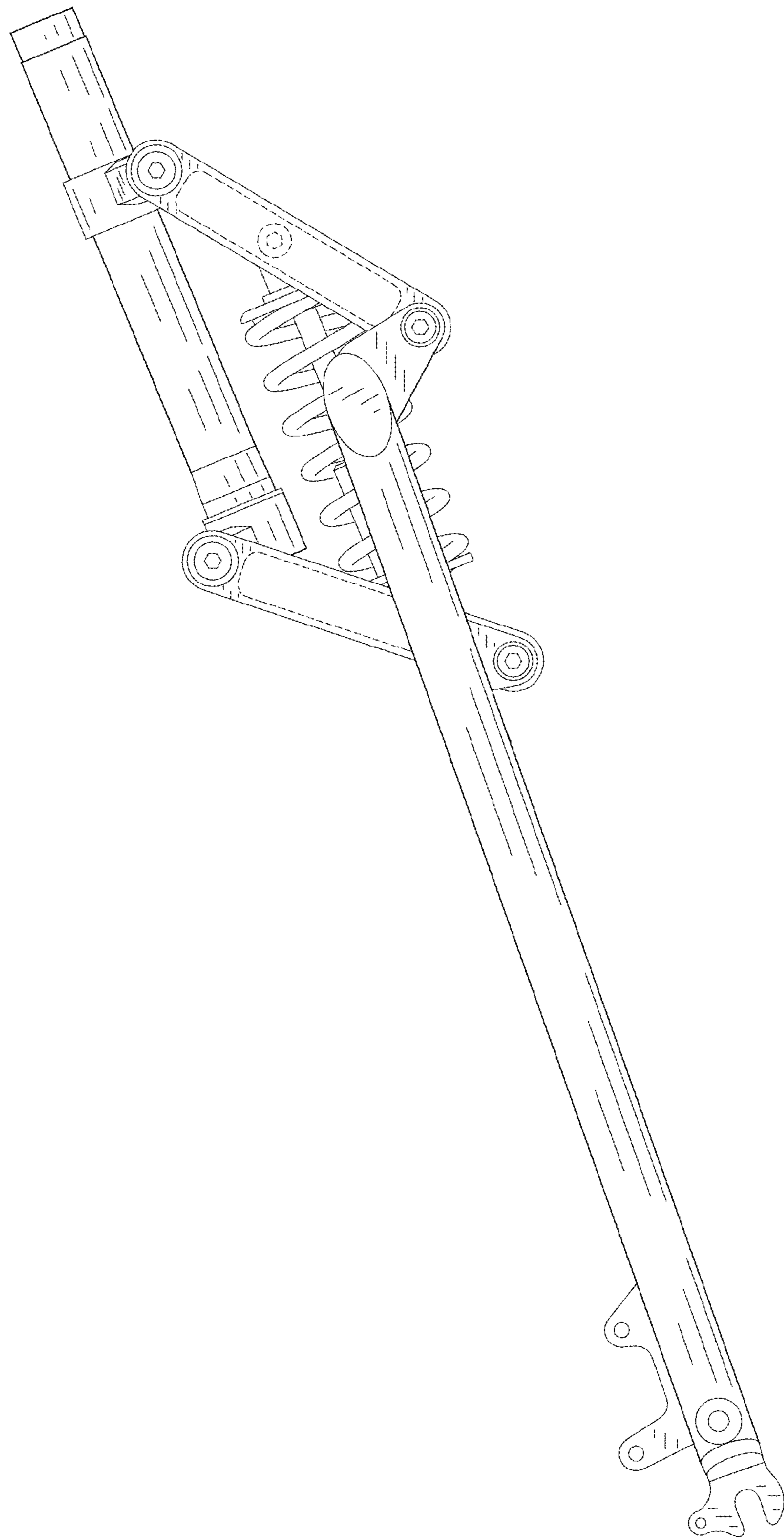


FIG. 2

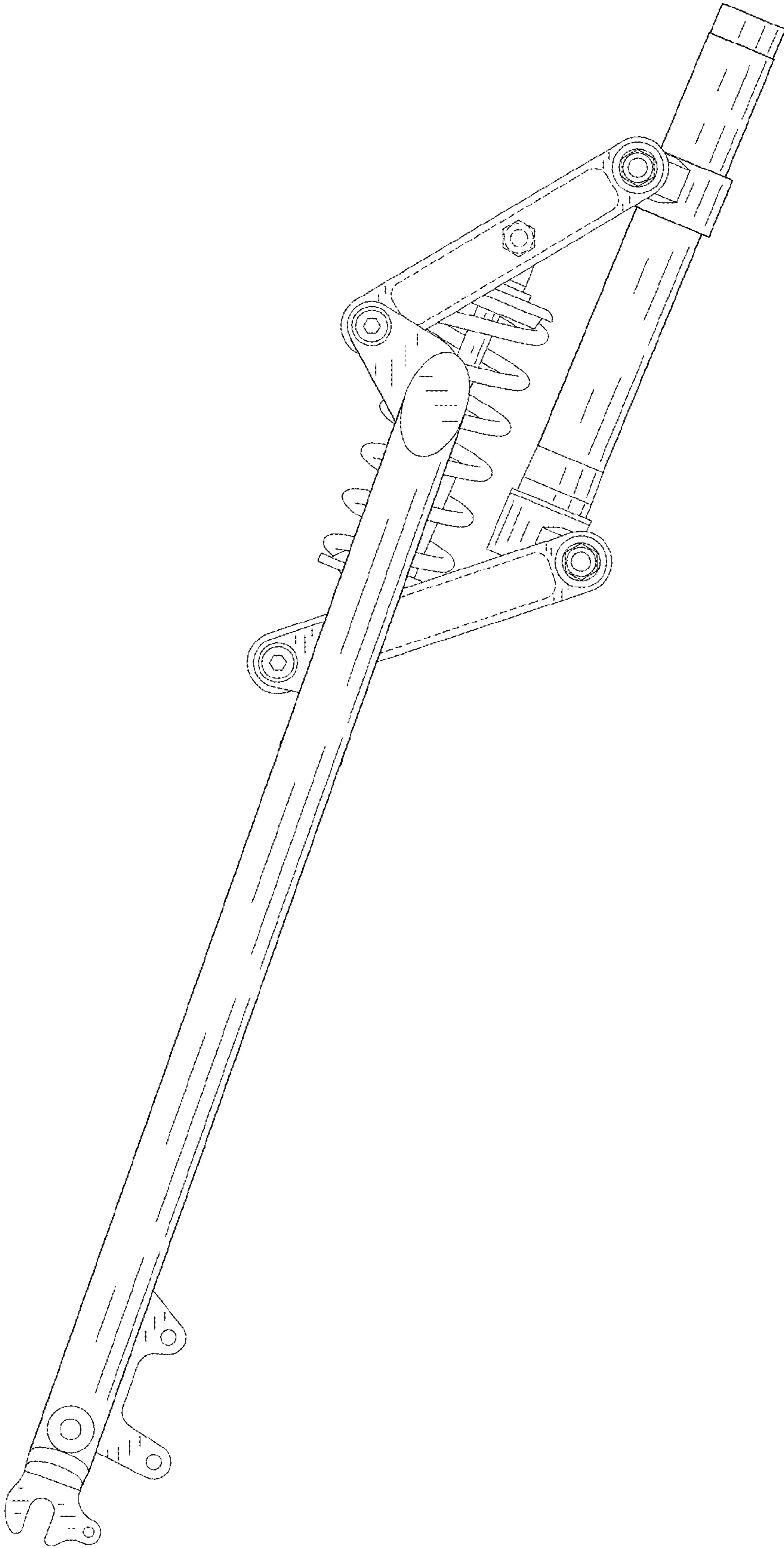


FIG. 3

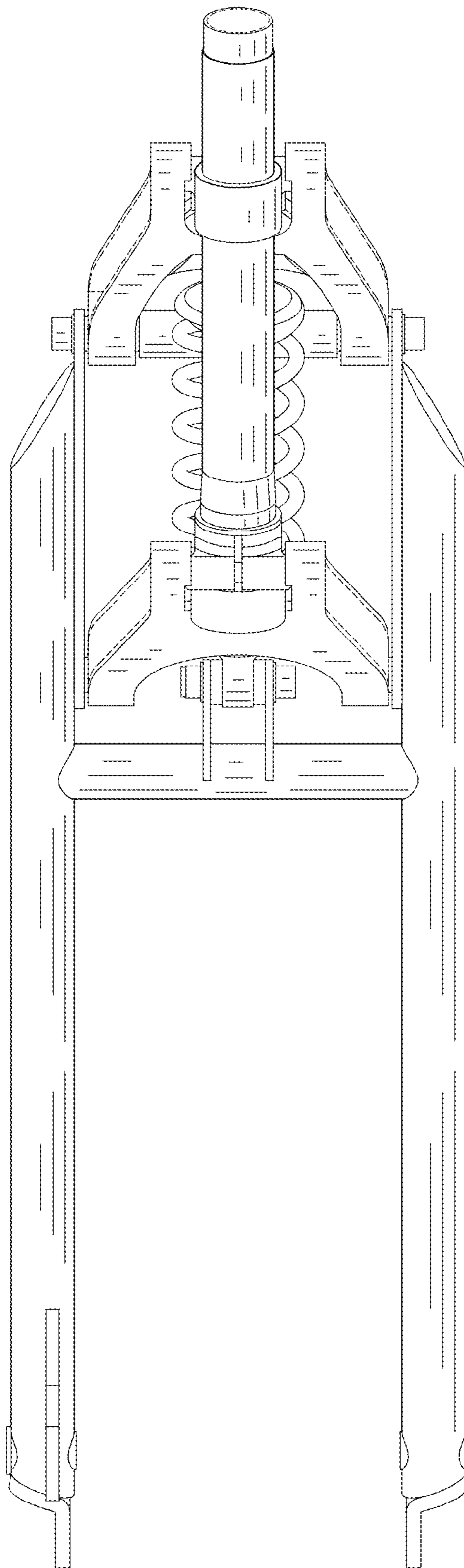


FIG. 4

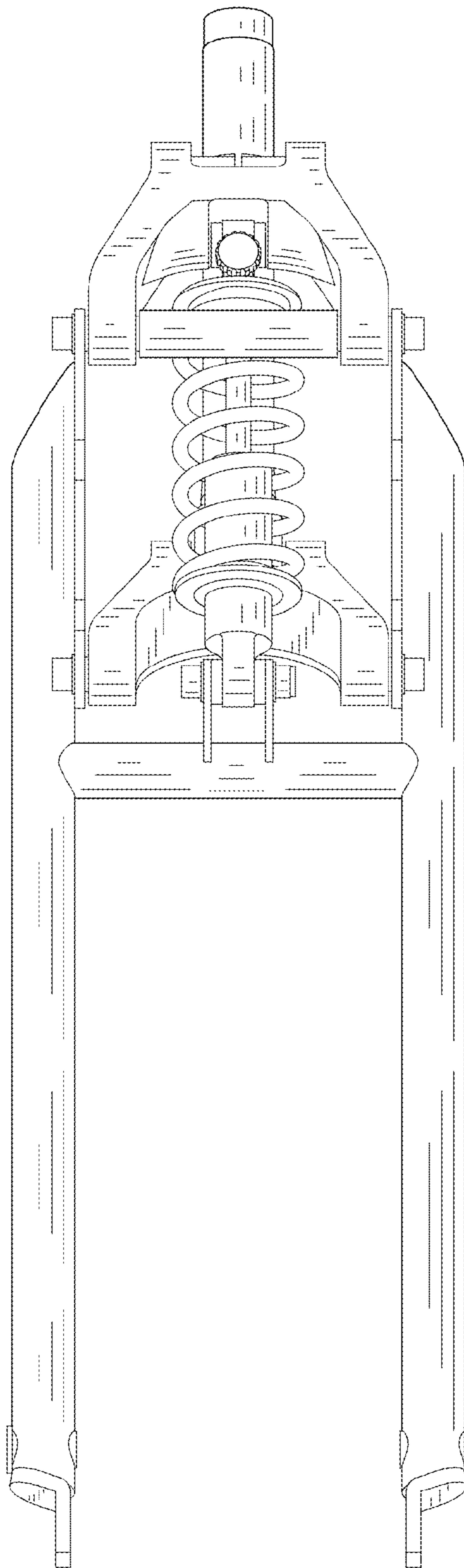


FIG. 5

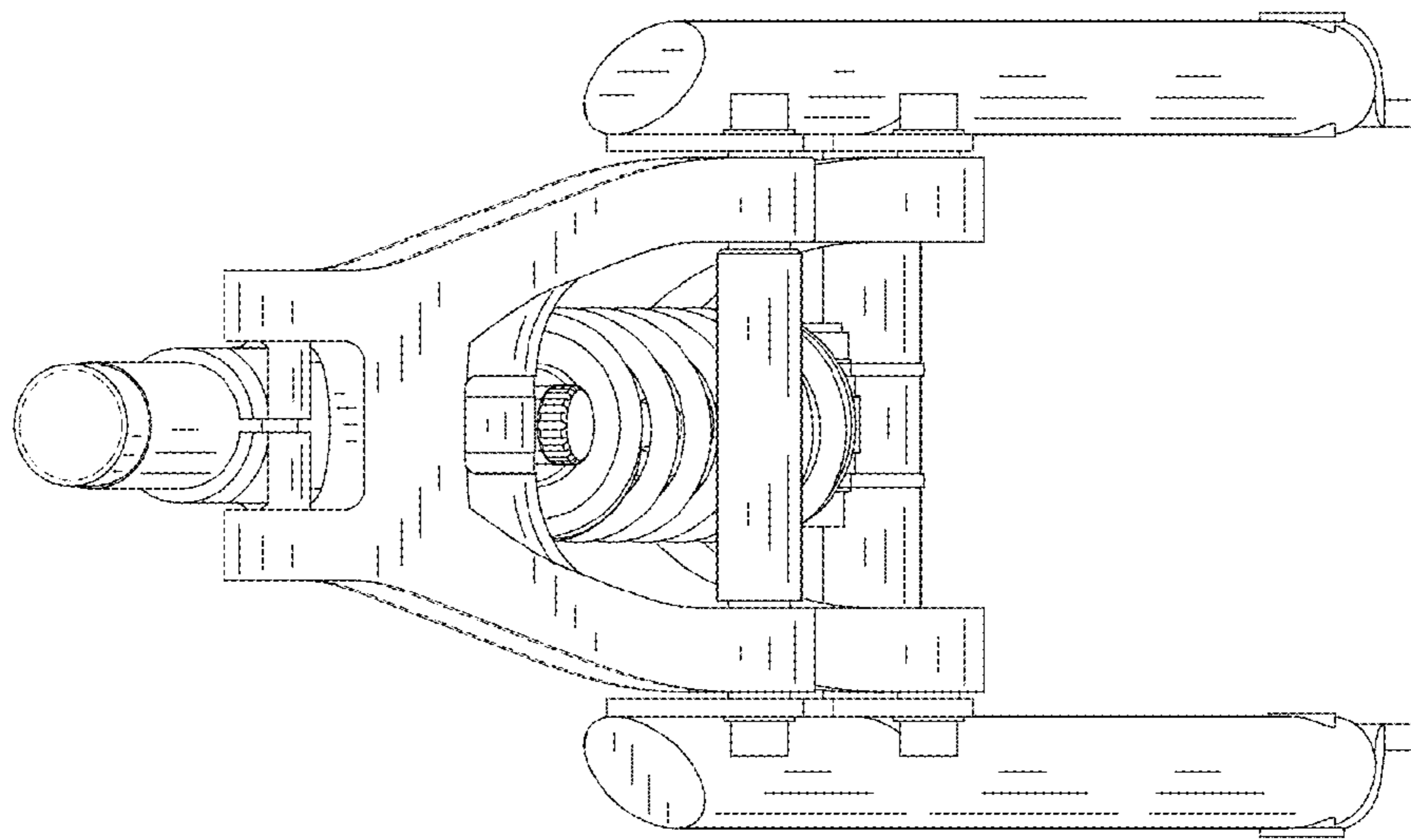


FIG. 6

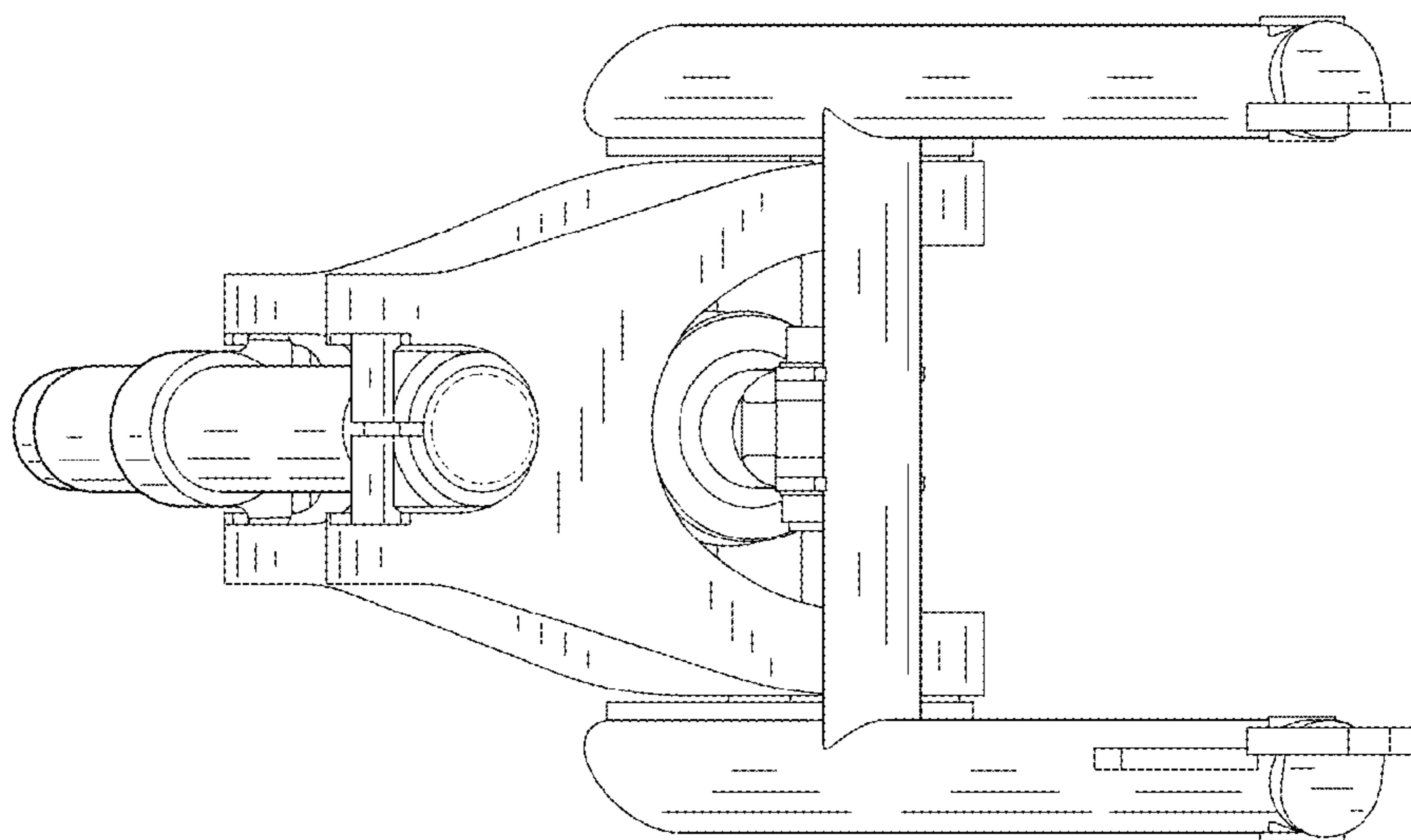


FIG. 7

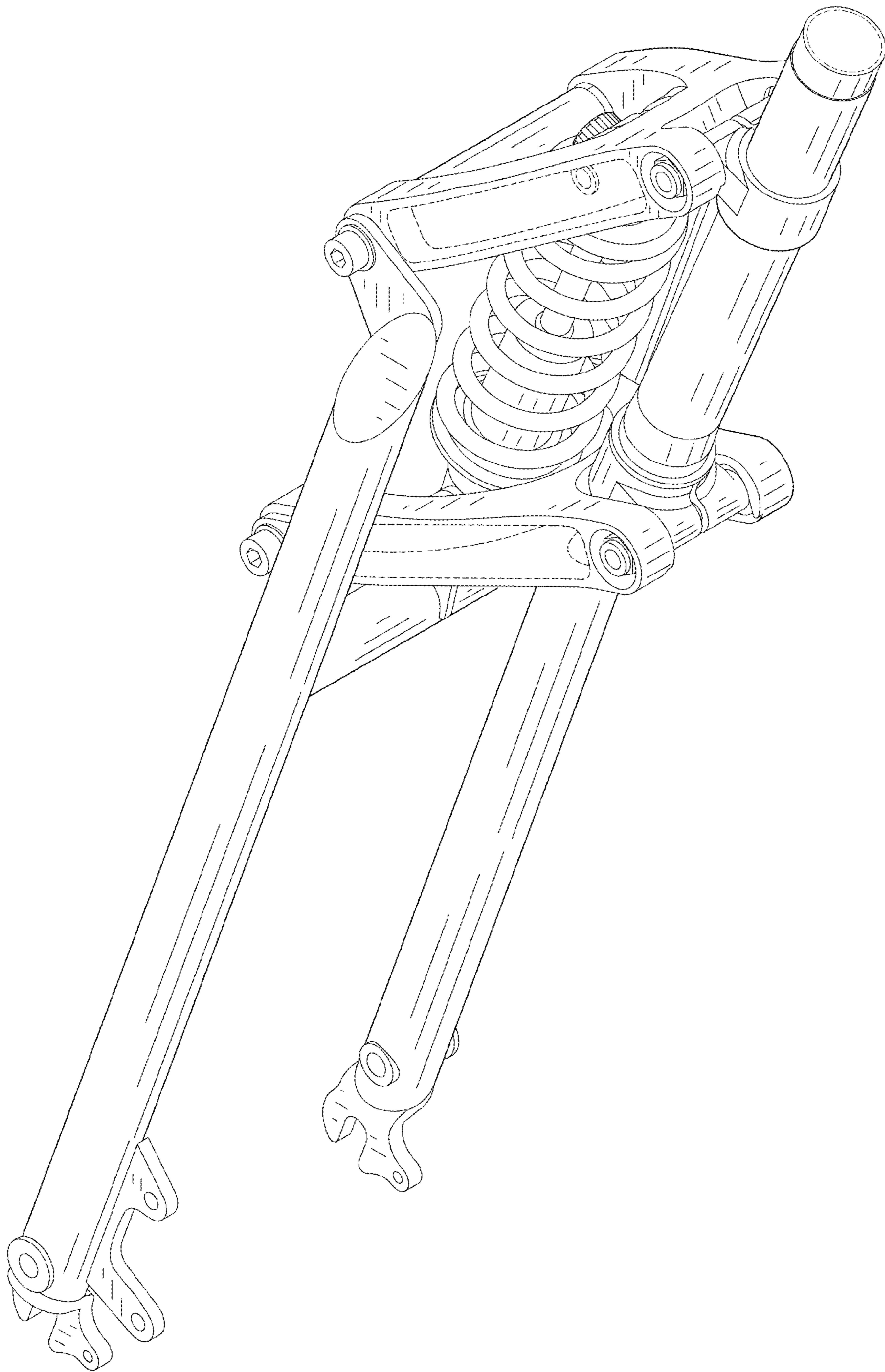


FIG. 8

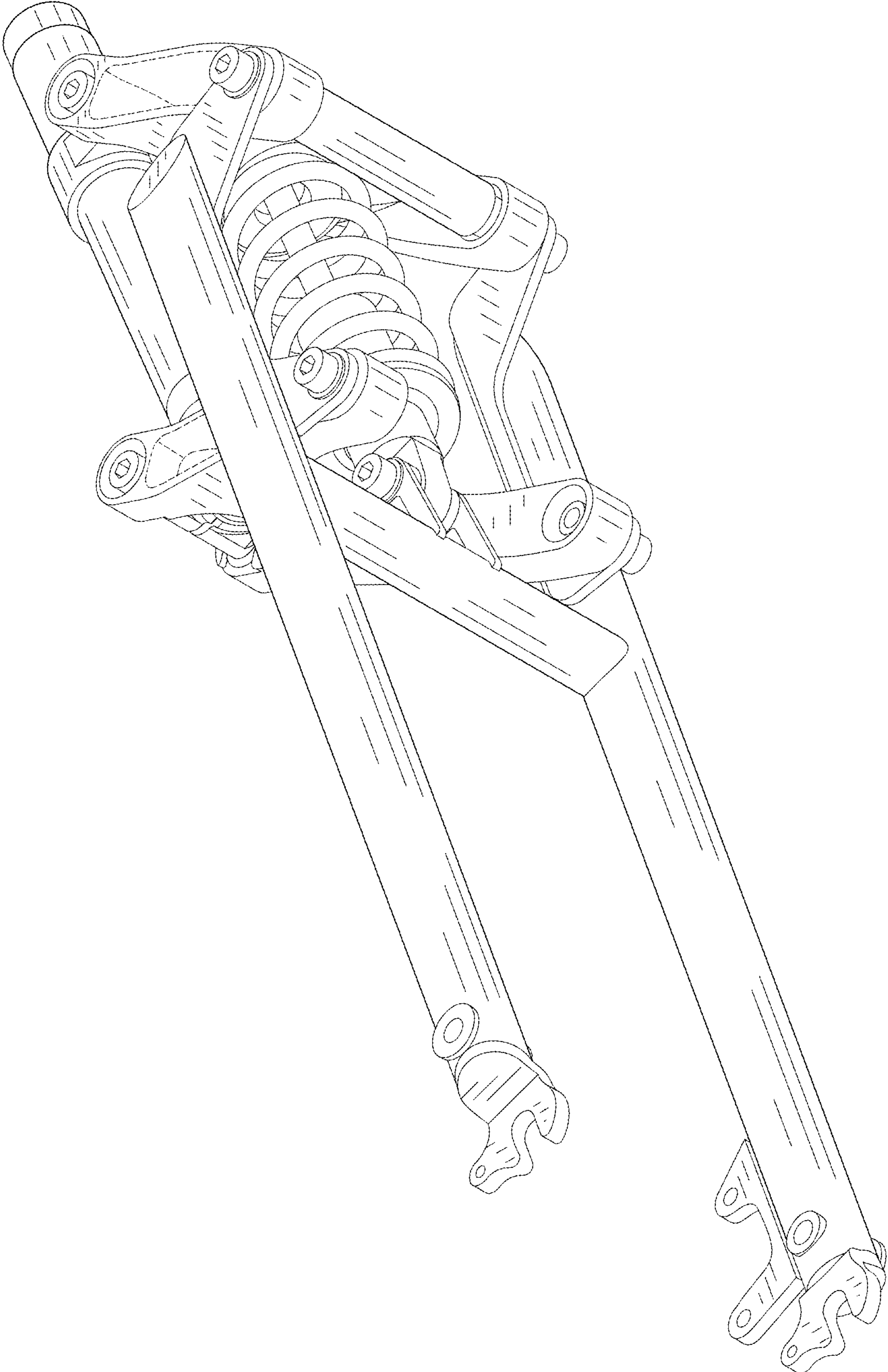


FIG. 9