



US00D902085S

(12) **United States Design Patent** (10) **Patent No.:** **US D902,085 S**
May (45) **Date of Patent:** **** Nov. 17, 2020**

- (54) **MOTORCYCLE FLOORBOARD**
- (71) Applicant: **Ciro, LLC**, Hudson, WI (US)
- (72) Inventor: **Darron B. May**, Stillwater, MN (US)
- (73) Assignee: **CIRO, LLC**, Hudson, WI (US)
- (**) Term: **15 Years**
- (21) Appl. No.: **29/697,505**
- (22) Filed: **Jul. 9, 2019**
- (51) **LOC (12) Cl.** **12-11**
- (52) **U.S. Cl.**
USPC **D12/114**
- (58) **Field of Classification Search**
USPC D12/114, 110, 117, 113, 120, 121, 125,
D12/203
CPC B62J 25/00
See application file for complete search history.

D530,649 S *	10/2006	Hoskins	D12/120
D531,092 S *	10/2006	Stahel	D12/114
D544,410 S *	6/2007	Johnson	D12/114
D562,736 S *	2/2008	Johnson	D12/114
7,431,118 B1 *	10/2008	Hogg	B62J 25/00 180/219
D602,817 S *	10/2009	Kamalian	D12/114
8,083,248 B1 *	12/2011	Gulley	B62J 25/00 280/291
D653,174 S *	1/2012	Parvey	D12/114
D662,862 S *	7/2012	Schutz	D12/114
D722,922 S *	2/2015	Scolari	D12/125
D727,800 S *	4/2015	Bodah	D12/114
D737,732 S *	9/2015	Stockett	D12/120
D753,554 S *	4/2016	Wood	D12/114
D833,336 S *	11/2018	McFarland	B62K 3/02 D12/114

(Continued)

Primary Examiner — Michelle E. Wilson
Assistant Examiner — Clese Moore, Jr.
(74) *Attorney, Agent, or Firm* — Dicke, Billig & Czaja, PLLC

(57) **CLAIM**

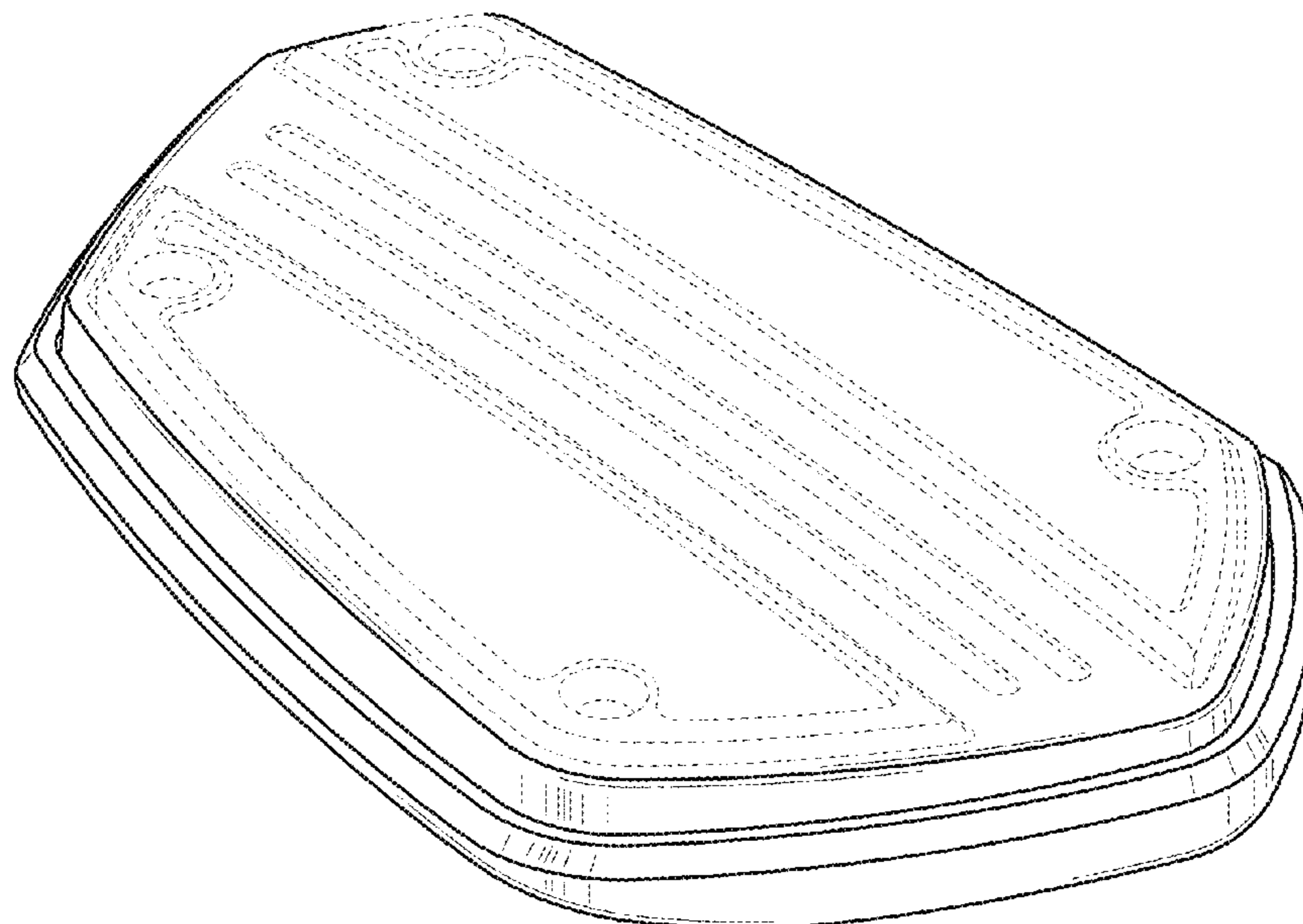
The ornamental design for a motorcycle floorboard, as shown and described.

DESCRIPTION

FIG. 1 is a perspective view of the floorboard.
FIG. 2 is a front elevation view thereof.
FIG. 3 is a rear elevation view thereof.
FIG. 4 is a top side view thereof.
FIG. 5 is a bottom side view thereof.
FIG. 6 is a first side view thereof; and,
FIG. 7 is a second side view thereof, opposite the first side view.
The top surface features and bottom surface features of the floorboard shown in broken lines form no part of the claimed design.

1 Claim, 7 Drawing Sheets

- (56) **References Cited**
U.S. PATENT DOCUMENTS
- 4,174,852 A * 11/1979 Panzica B62J 25/00
280/288.4
- 4,802,684 A * 2/1989 Bennett B62J 25/00
280/291
- 5,738,180 A * 4/1998 Hofmann B62J 25/00
180/291
- 5,779,254 A * 7/1998 James B62J 25/00
180/219
- D405,393 S * 2/1999 Stahel D12/114
- 5,961,138 A * 10/1999 Roark B62J 25/00
280/291
- D416,831 S * 11/1999 Negri D12/114
- 6,719,316 B1 * 4/2004 Anthony B62J 25/00
280/291
- D519,886 S * 5/2006 Colano D12/114
- D526,937 S * 8/2006 Colano D12/125
- D528,476 S * 9/2006 Stahel D12/114



(56)

References Cited

U.S. PATENT DOCUMENTS

2005/0241547 A1* 11/2005 Colano B62J 25/00
108/50.14

* cited by examiner

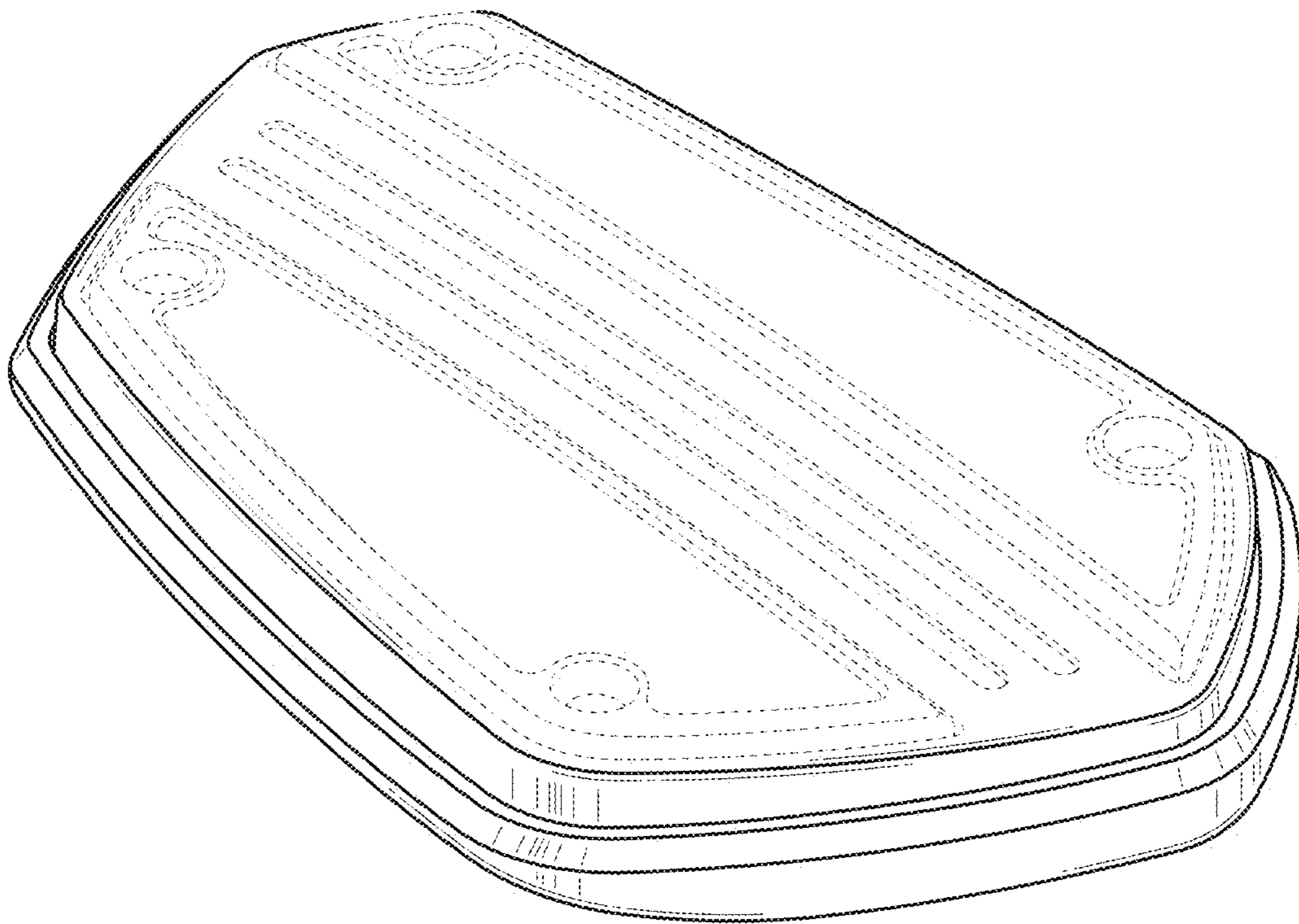


FIG. 1

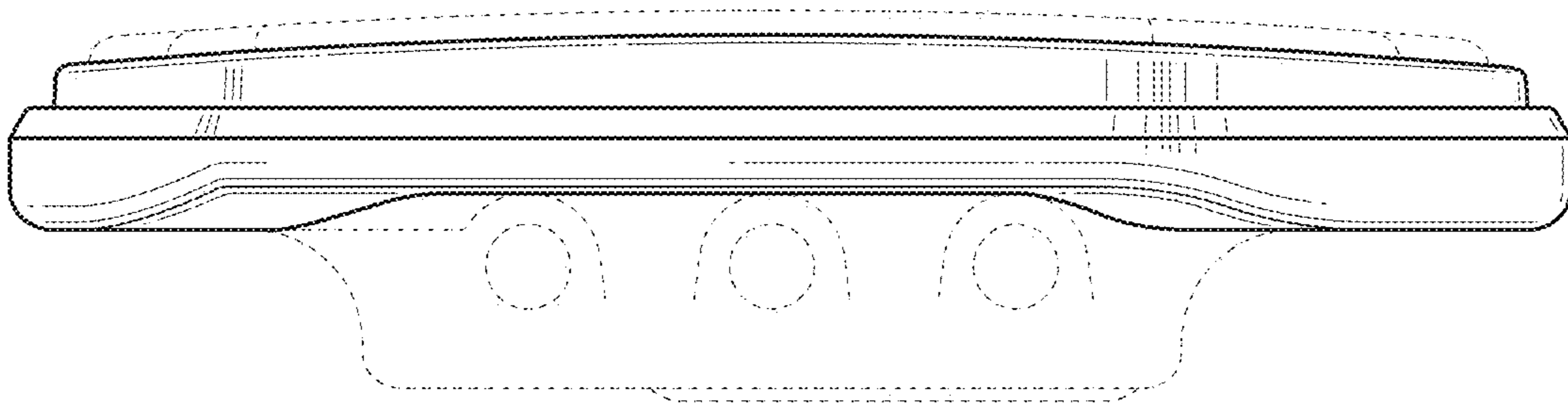


FIG. 2

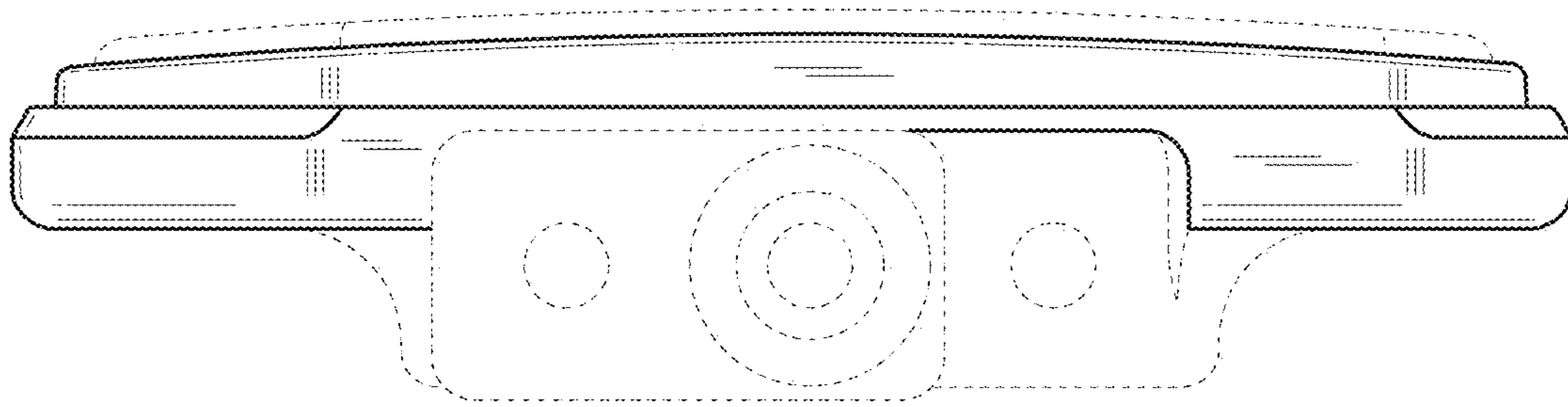


FIG. 3

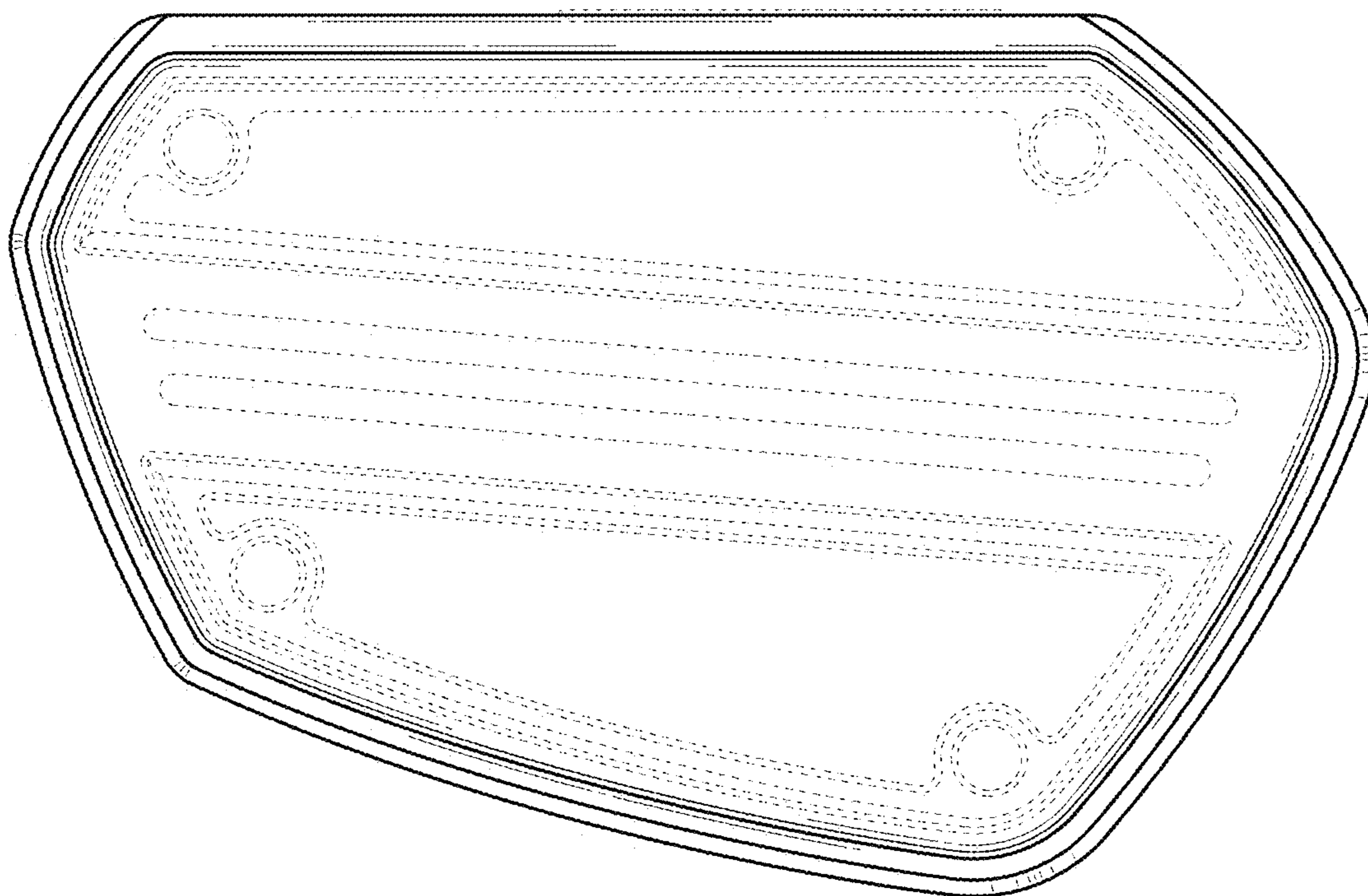


FIG. 4

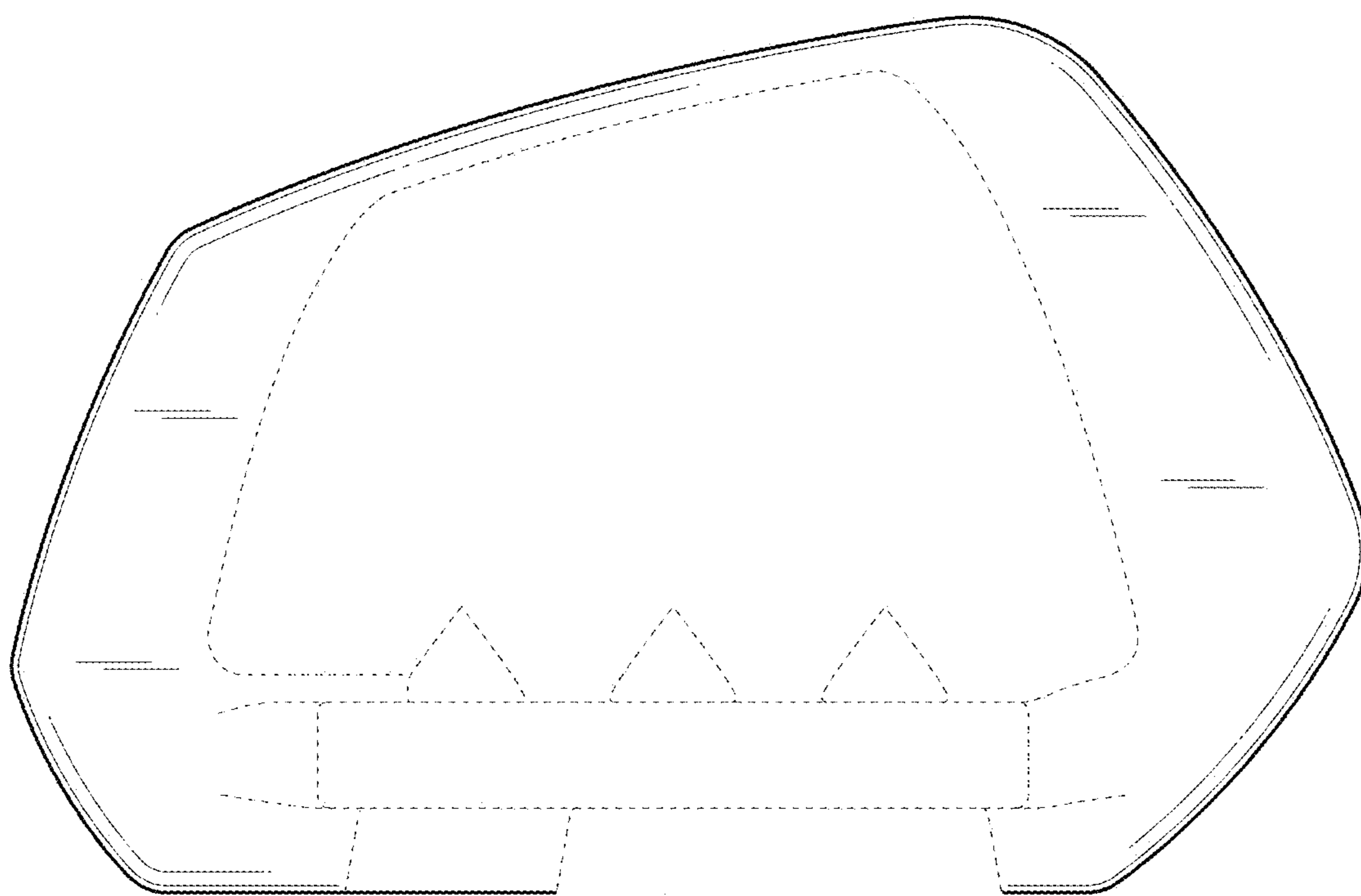


FIG. 5

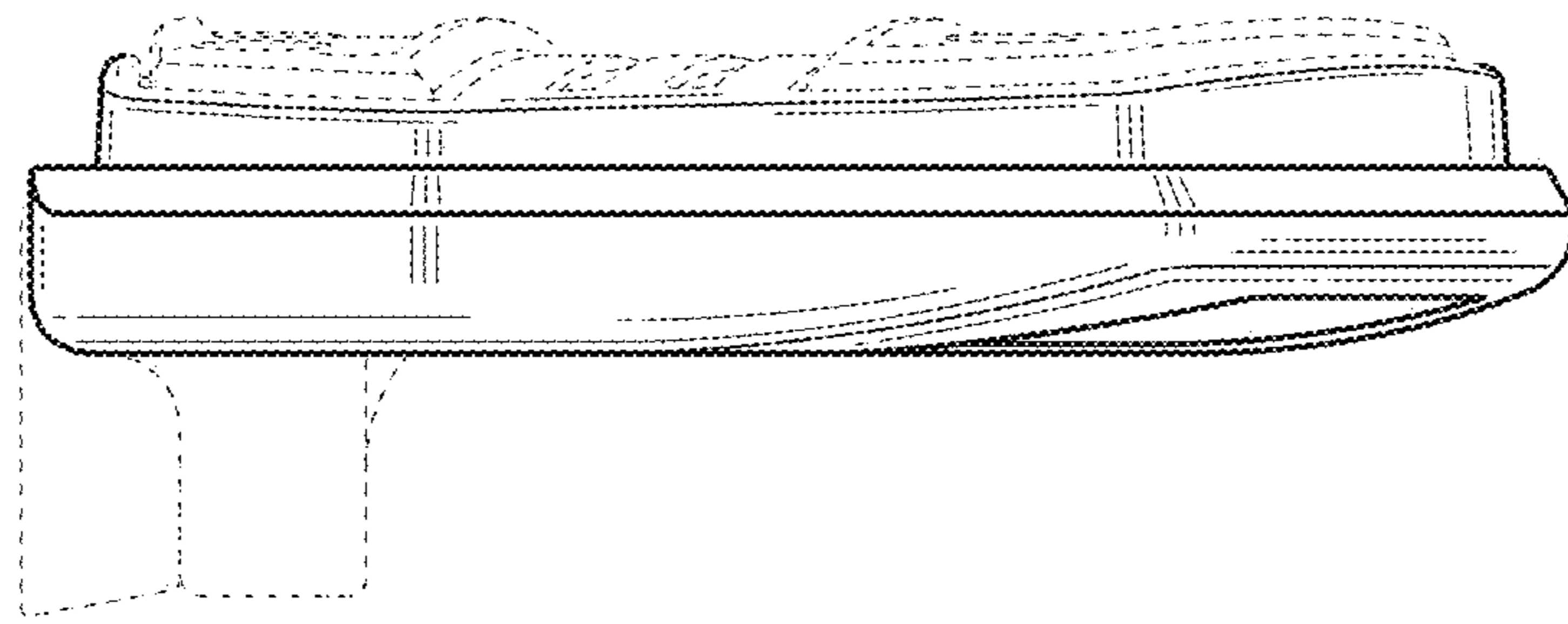


FIG. 6

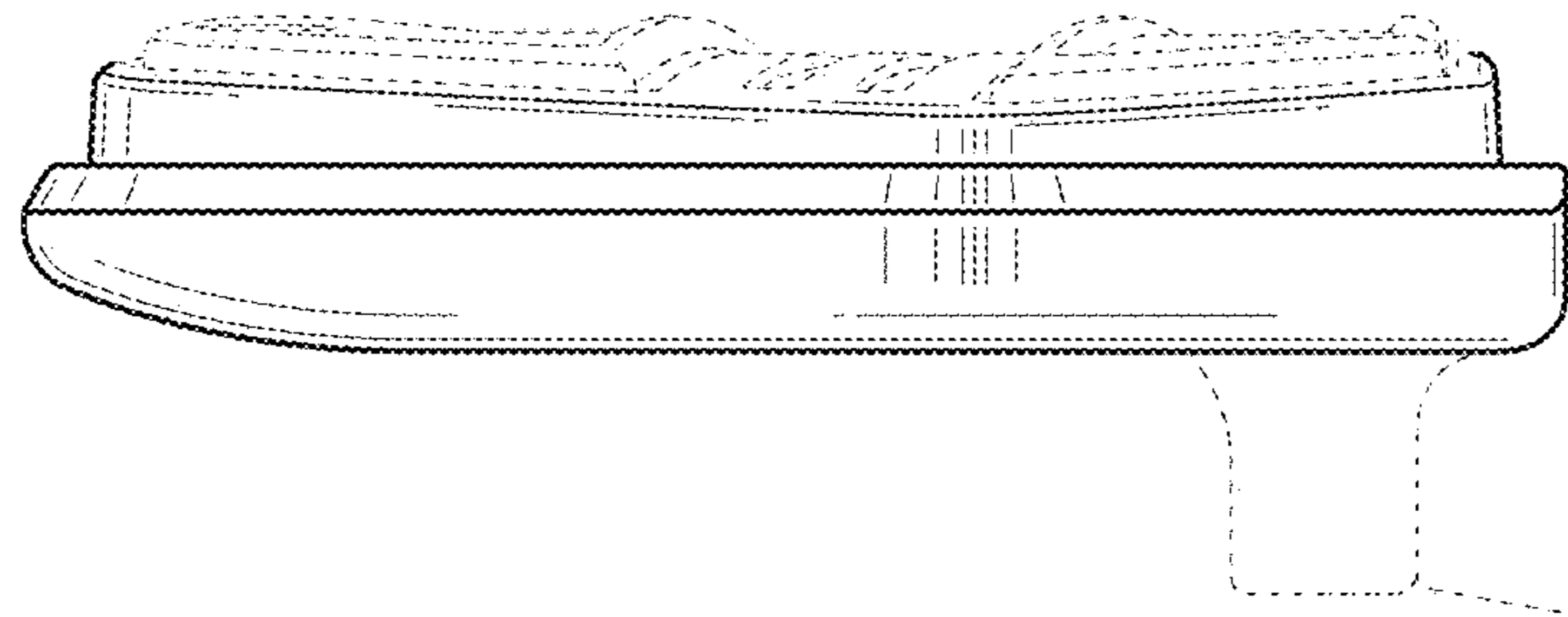


FIG. 7