



US00D902084S

(12) **United States Design Patent**
Gauthier et al.

(10) **Patent No.:** **US D902,084 S**

(45) **Date of Patent:** **** Nov. 17, 2020**

(54) **BICYCLE**

(71) Applicant: **PBSC URBAN SOLUTIONS INC.**,
Longueuil (CA)

(72) Inventors: **Bruno Gauthier**, Laterriere (CA);
Caroline Boily, Laterriere (CA);
Michel Giroux, Jonquiere (CA); **Rémy**
Gouin, Chicoutimi (CA); **Mikhael**
Simard, Chicoutimi (CA)

(73) Assignee: **PBSC URBAN SOLUTIONS INC.**,
Longueuil, CA (US)

(**) Term: **15 Years**

(21) Appl. No.: **35/506,726**

(22) Filed: **Nov. 5, 2018**

(80) **Hague Agreement Data**

Int. Filing Date: **Nov. 5, 2018**

Int. Reg. No.: **DM/200161**

Int. Reg. Date: **Nov. 5, 2018**

Int. Reg. Pub. Date: **May 10, 2019**

(51) **LOC (12) Cl.** **12-11**

(52) **U.S. Cl.**
USPC **D12/111**

(58) **Field of Classification Search**
USPC D12/111, 117, 406, 407
CPC . B62K 3/00; B62K 3/005; B62K 9/00; B62K
19/00; B62K 19/02; B62K 19/04; B62K
19/06; B62K 19/16
See application file for complete search history.

(56) **References Cited**

U.S. PATENT DOCUMENTS

D414,721 S * 10/1999 Nakamura D12/110
D465,438 S * 11/2002 Masui D12/111

D574,756 S * 8/2008 Masui D12/111
D594,787 S * 6/2009 Dallaire D12/111
D621,302 S * 8/2010 Tanaka D12/111
D625,228 S * 10/2010 Lockart D12/111
D634,673 S * 3/2011 Lockart D12/111
D730,779 S * 6/2015 Arbour D12/111
D745,836 S * 12/2015 Poster D12/111
D789,836 S * 6/2017 Gouin D12/111
D854,969 S * 7/2019 Gouin D12/111
D863,114 S * 10/2019 Hu D12/111
2011/0115193 A1* 5/2011 Giroux B62K 19/34
280/281.1
2013/0255336 A1* 10/2013 Desai B62J 23/00
70/431
2014/0209400 A1* 7/2014 Yao B60L 7/10
180/167

* cited by examiner

Primary Examiner — Darlington Ly

(74) *Attorney, Agent, or Firm* — Robic

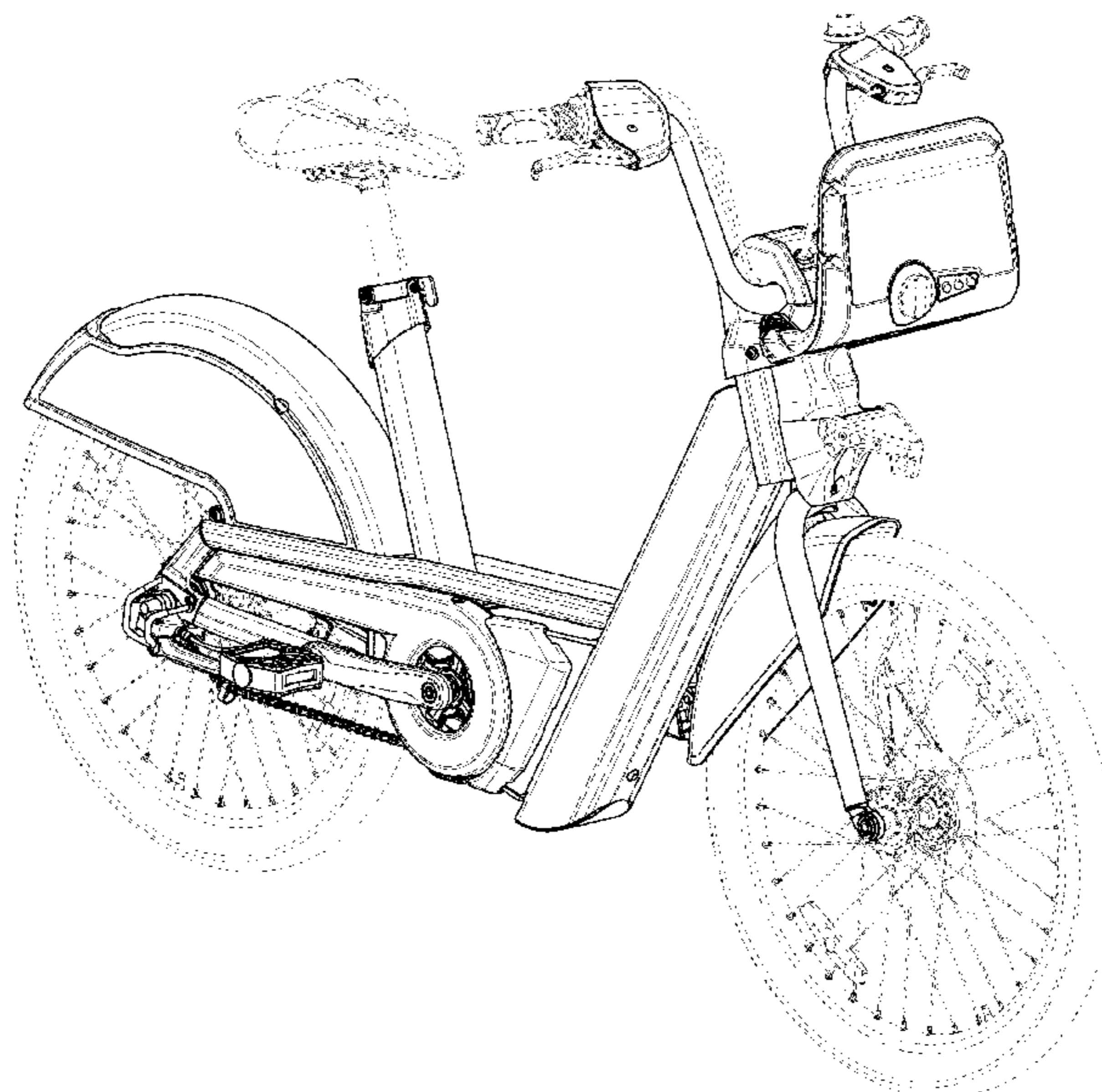
(57) **CLAIM**

The ornamental design for a bicycle, as shown and described.

DESCRIPTION

1.1 is a front and right side perspective view of a bicycle showing our new design;
1.2 is a rear and left side perspective view thereof;
1.3 is a right side elevation view thereof;
1.4 is a left side elevation view thereof;
1.5 is a front elevation view thereof;
1.6 is a rear elevation view thereof;
1.7 is a top plan view thereof; and
1.8 is a bottom plan view thereof.
The broken lines in the reproductions illustrate portions of the bicycle that form no part of the claimed design.

1 Claim, 8 Drawing Sheets



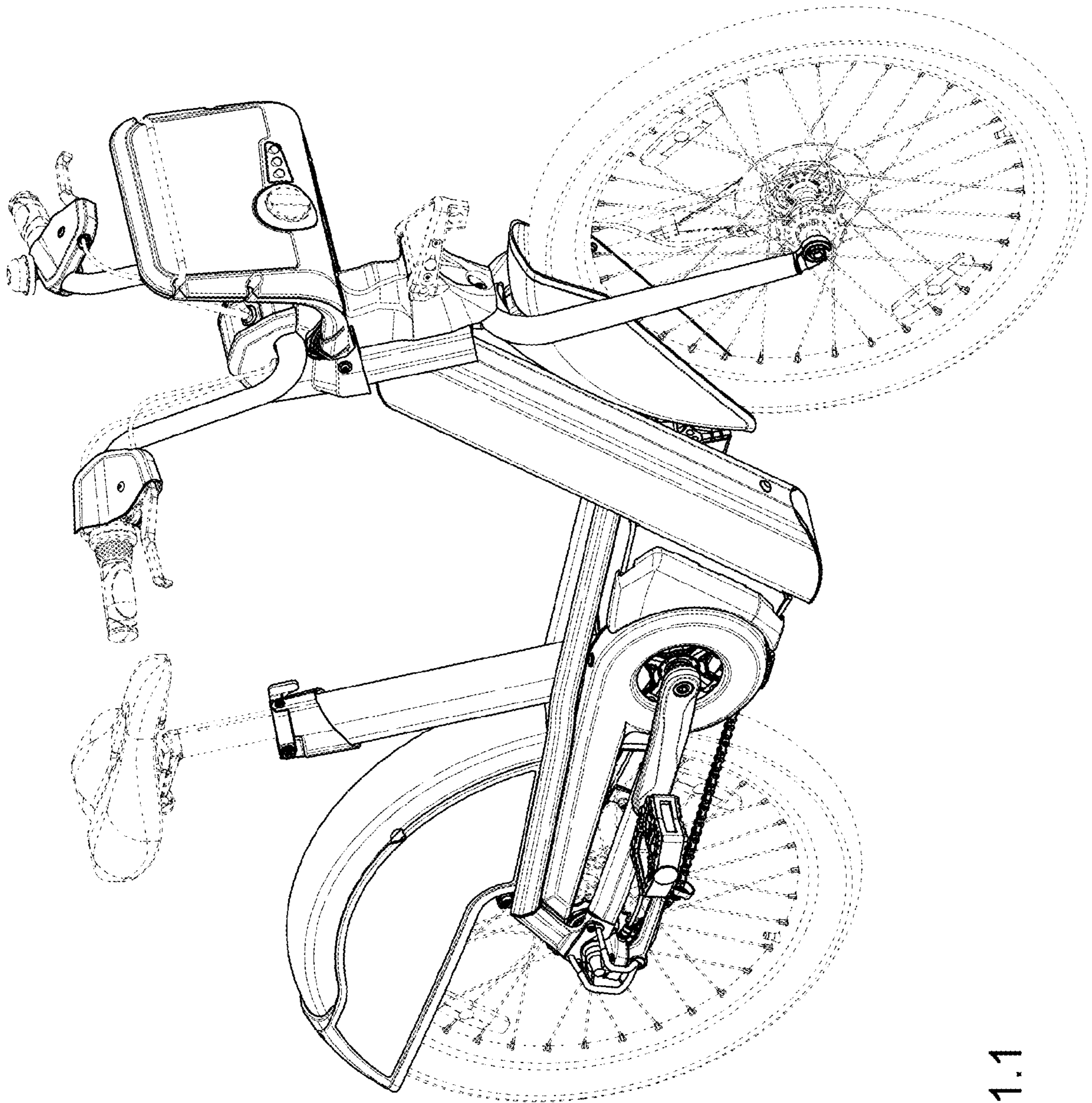


FIG. 1.1

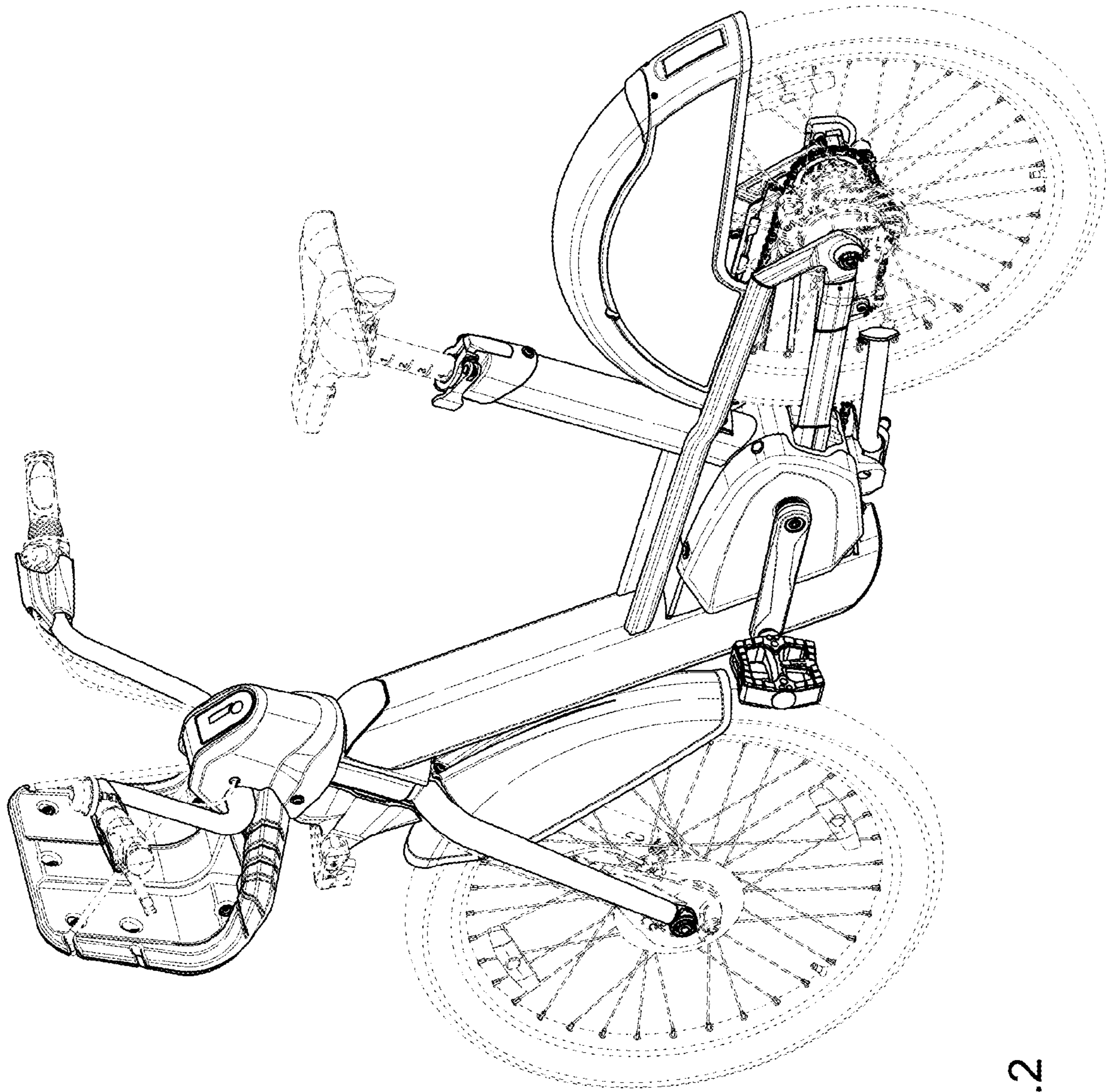


FIG. 1.2

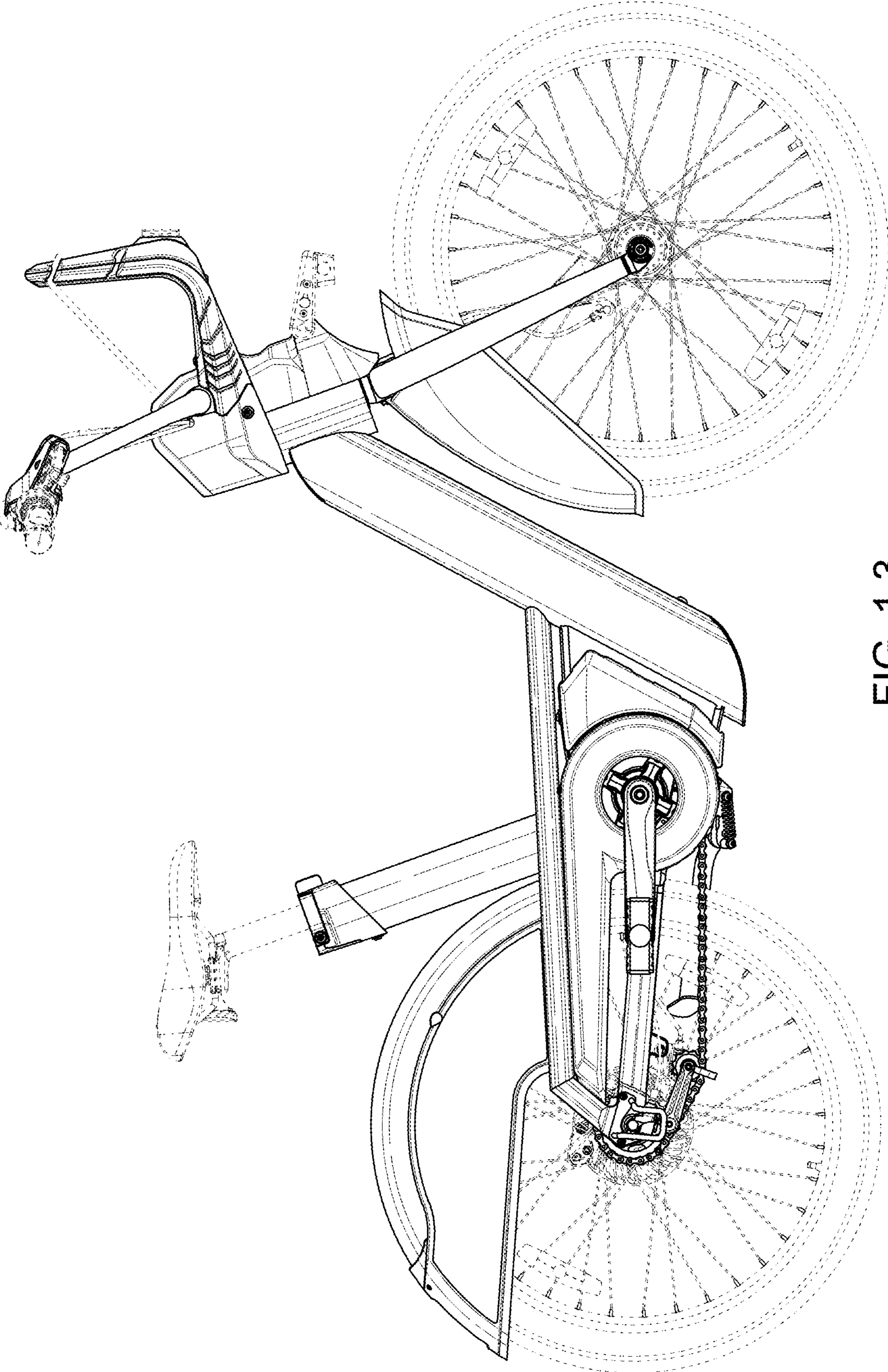


FIG. 1.3

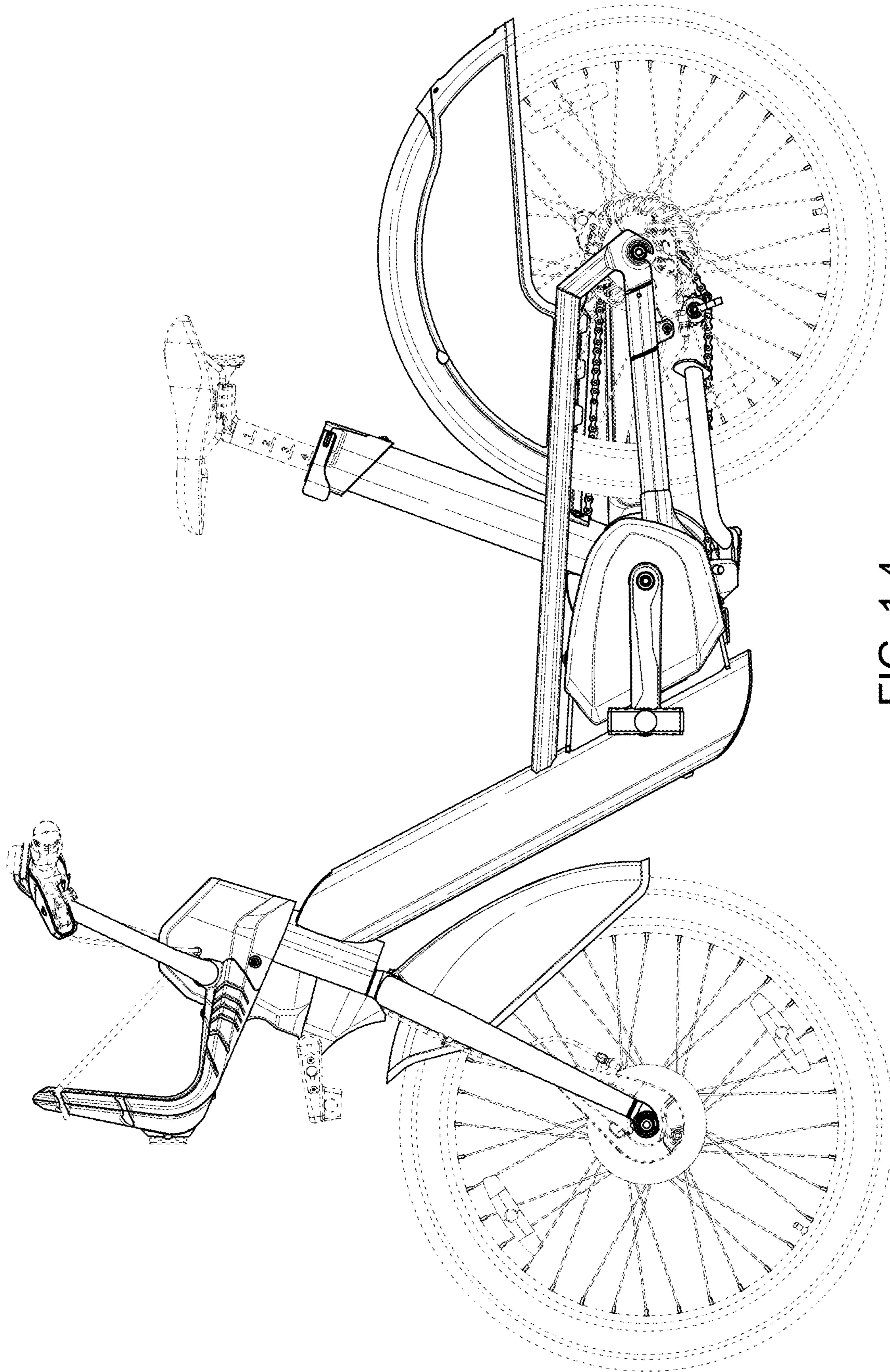


FIG. 1.4

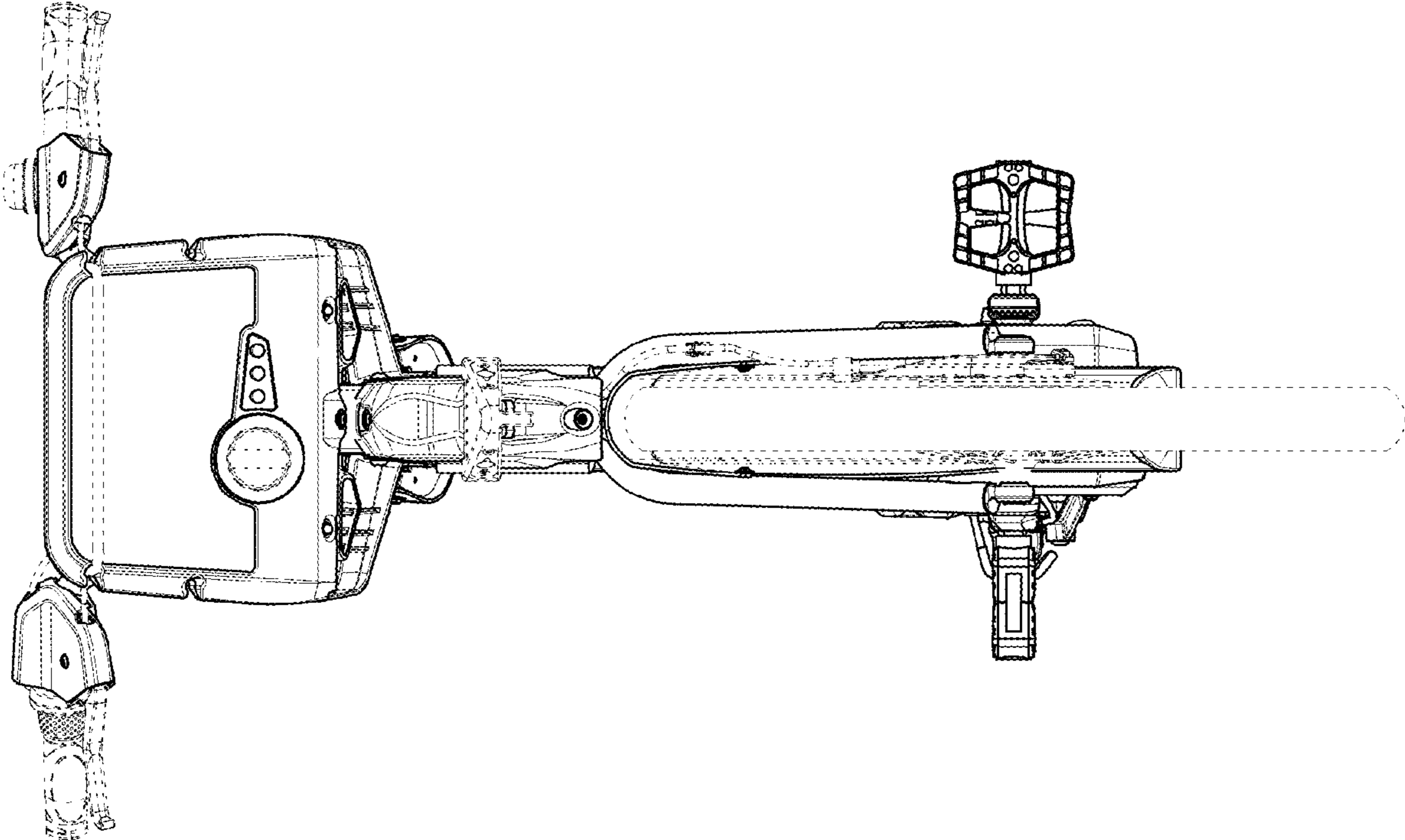


FIG. 1.5

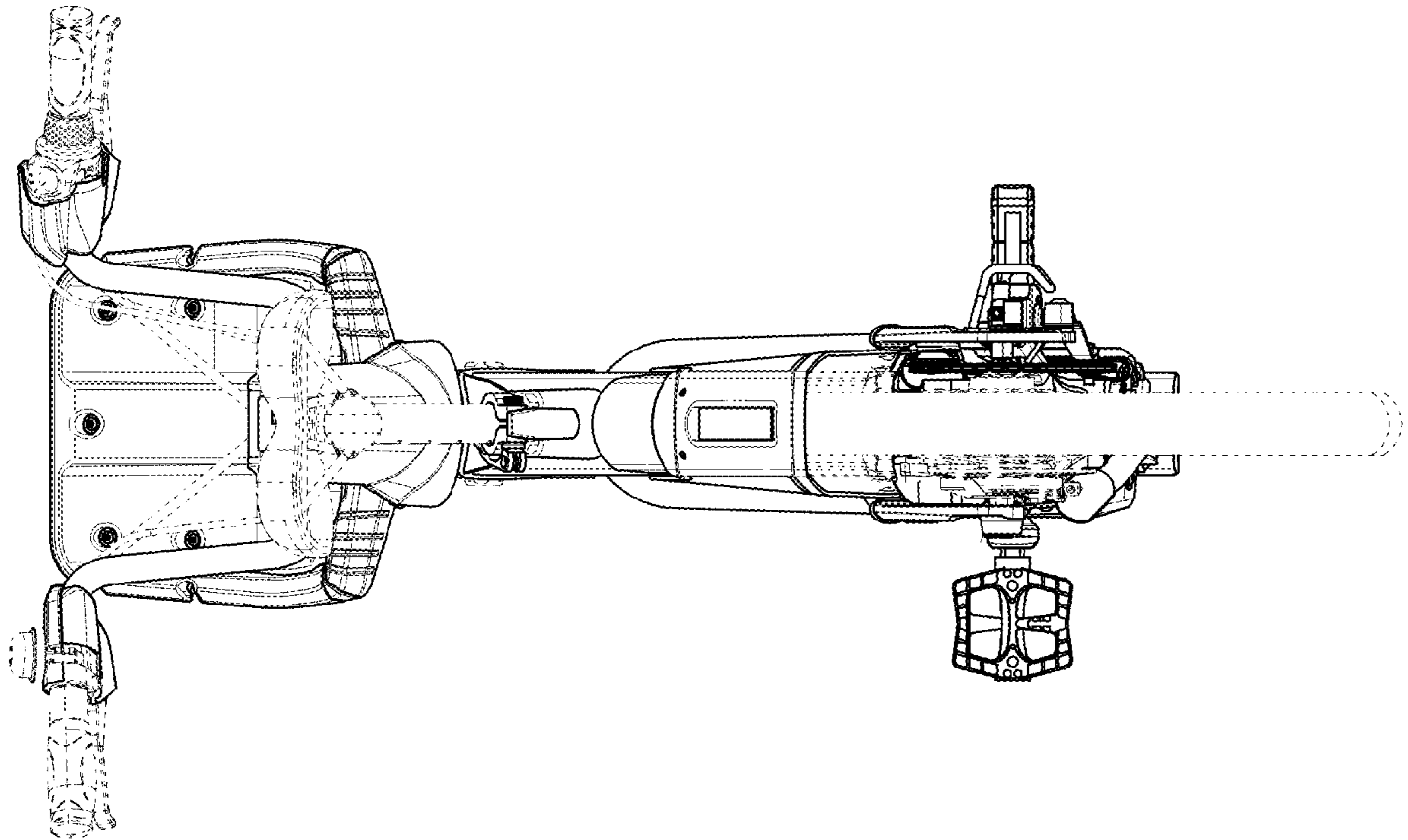


FIG. 1.6

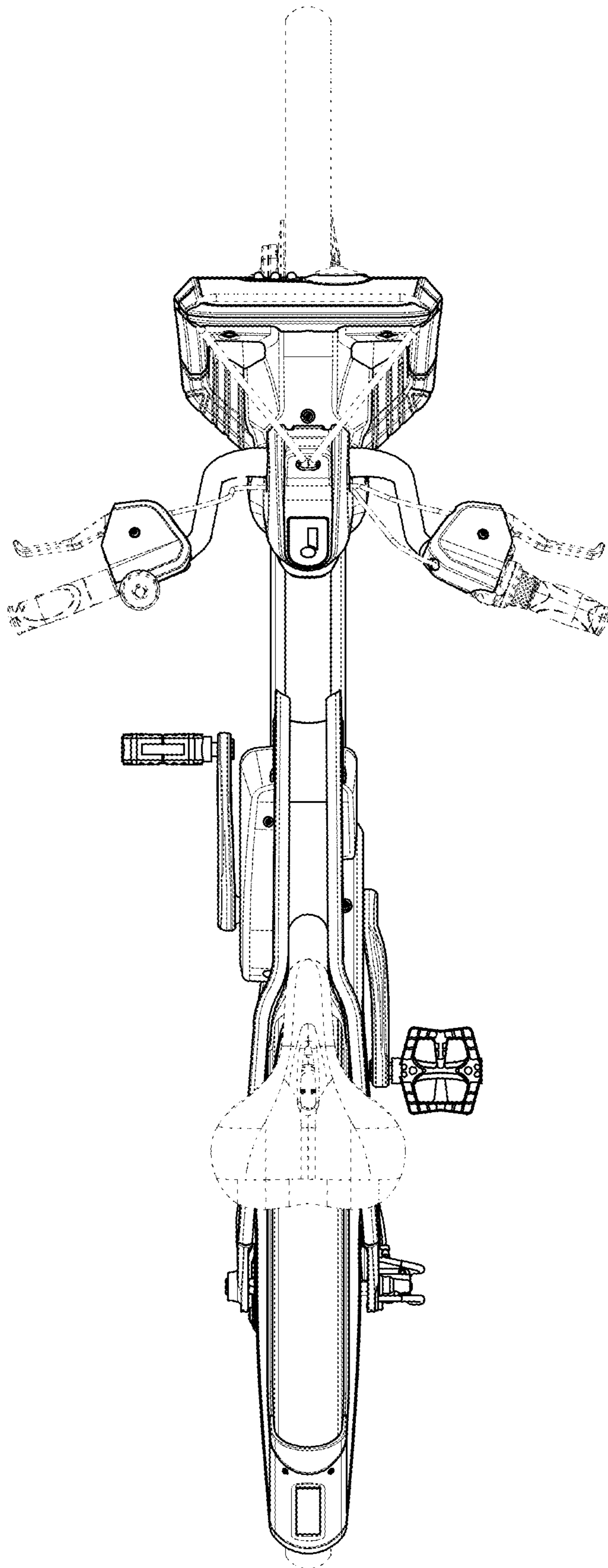


FIG. 1.7

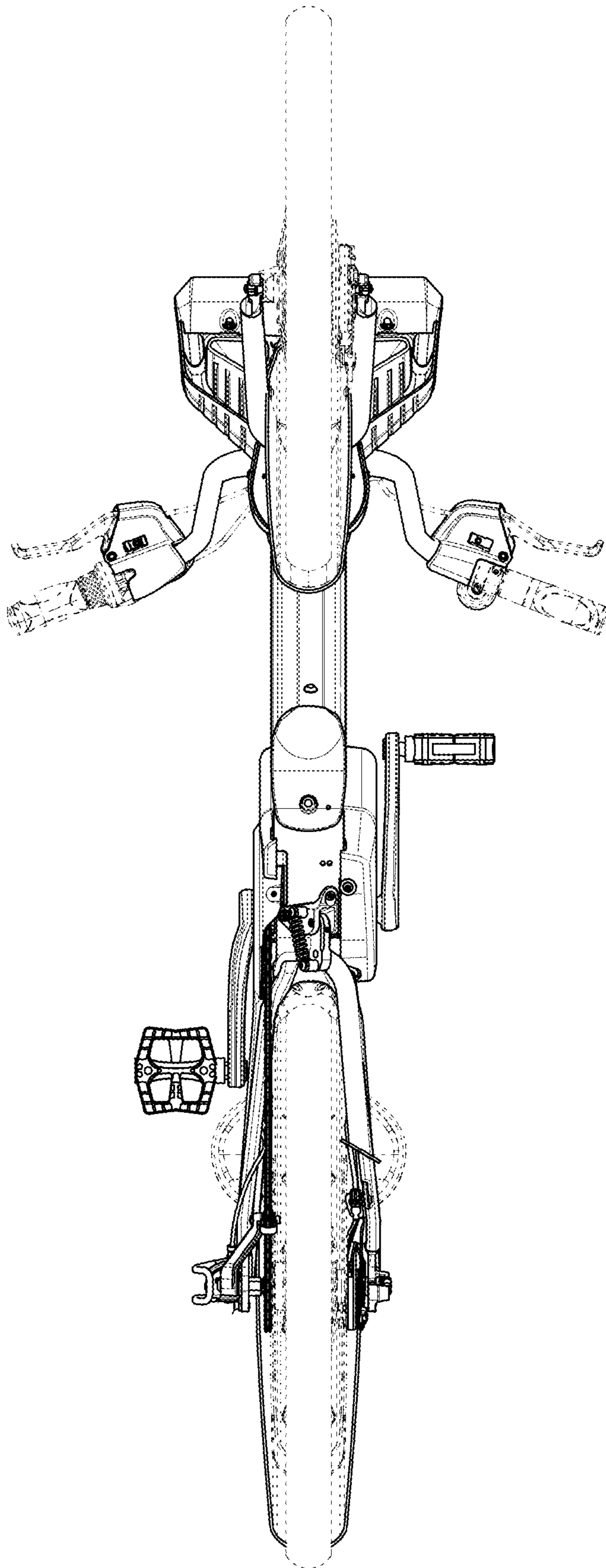


FIG. 1.8