



US00D902082S

(12) **United States Design Patent** (10) **Patent No.:** **US D902,082 S**  
**Sweeney** (45) **Date of Patent:** **\*\* Nov. 17, 2020**

(54) **DUMP TRAILER**  
(71) Applicant: **AI's Complete Lawn Care, LLC**,  
Lexington, KY (US)  
(72) Inventor: **Allen Sweeney**, Frankfort, KY (US)  
(73) Assignee: **AI's Complete Lawn Care, LLC**,  
Lexington, KY (US)  
(\*\*) Term: **15 Years**

D271,093 S \* 10/1983 Triggs ..... D12/102  
D295,271 S 4/1988 Anderson  
D299,628 S \* 1/1989 Burke ..... D12/97  
D305,008 S \* 12/1989 Page ..... D12/105  
D325,549 S \* 4/1992 Jarvis ..... D12/105  
5,544,944 A \* 8/1996 Keech ..... B60P 1/24  
280/482  
D373,335 S \* 9/1996 Repke ..... D12/101  
D386,722 S 11/1997 Dunphy  
5,887,880 A 3/1999 Mullican et al.  
6,082,631 A 7/2000 Aslakson  
(Continued)

(21) Appl. No.: **29/694,964**  
(22) Filed: **Jun. 14, 2019**  
(51) **LOC (12) Cl.** ..... **12-10**  
(52) **U.S. Cl.**  
USPC ..... **D12/101**  
(58) **Field of Classification Search**  
USPC ..... D12/17, 19, 20, 129, 100-106, 111-112,  
D12/133; D21/425, 435, 419, 534-536,  
D21/540; D34/21-26, 14, 16-19, 1-11;  
280/204, 205, 63, 475, 482, 647;  
296/168, 180, 180.2, 61, 10,  
296/100.01-100.08; 220/908-911;  
414/420, 422, 424, 411, 410  
CPC .. B62D 35/00; B62D 33/077; B62D 33/0612;  
B62D 24/04; B60P 3/10; B60P 3/1033;  
B60P 3/0257; B60P 3/34; E01F 15/14  
See application file for complete search history.

**OTHER PUBLICATIONS**

PJ 5x10 Dump Trailer 3.5 Ton D5102, AllAmericanTrailer.com,  
[online], [site visited Jul. 2, 2020]. <URL: <https://allamericantrailer.com/product/pj-5x10-dump-trailer/>> (Year: 2020).\*

(Continued)

*Primary Examiner* — T Chase Nelson  
*Assistant Examiner* — Jonathan J. Han  
(74) *Attorney, Agent, or Firm* — Wood Herron & Evans  
LLP

(57) **CLAIM**

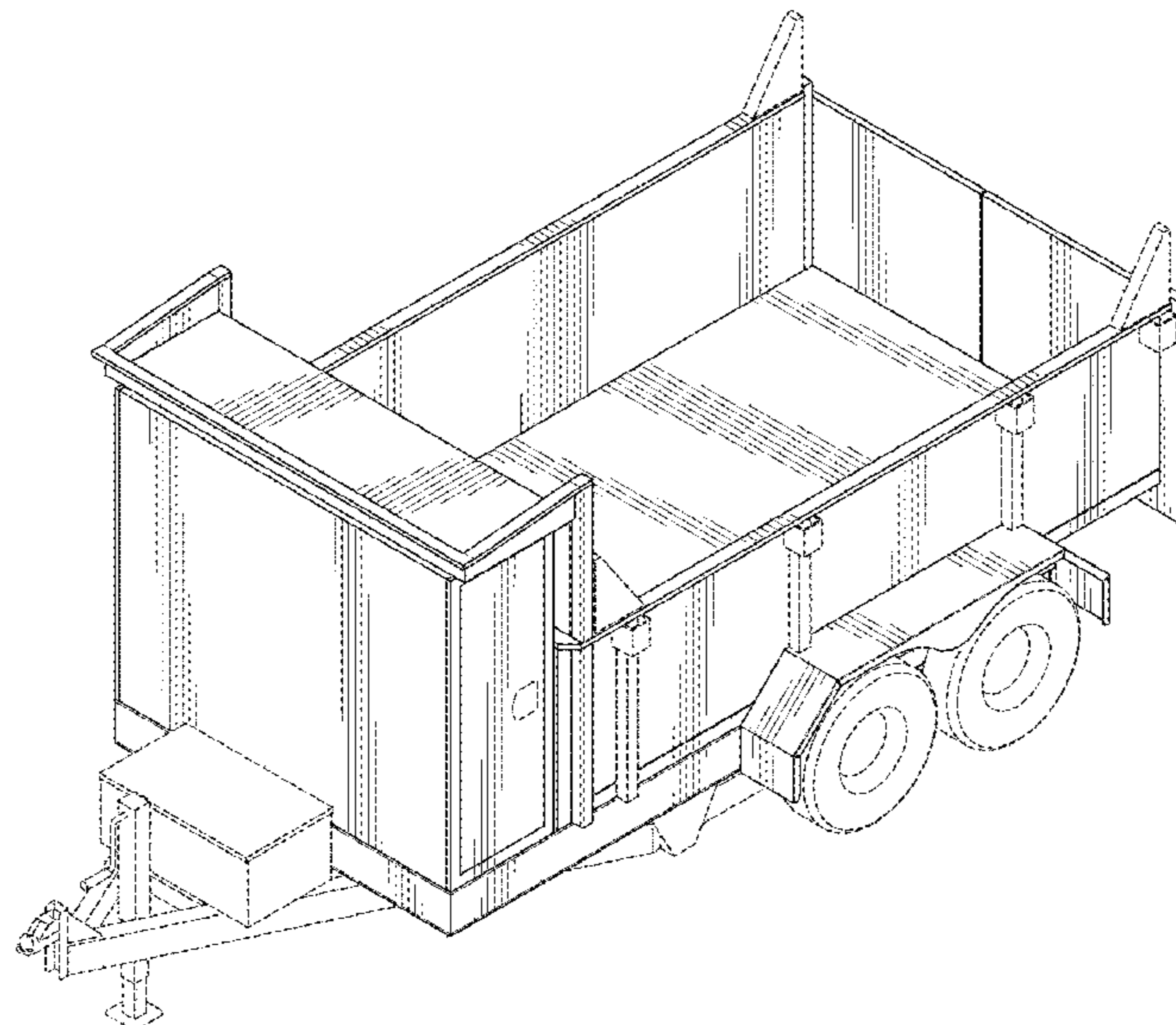
The ornamental design for a dump trailer, as shown and  
described.

**DESCRIPTION**

FIG. 1 is a top, right, front isometric view of the dump  
trailer;  
FIG. 2 is a front view thereof;  
FIG. 3 is a rear view thereof;  
FIG. 4 is a right side view thereof;  
FIG. 5 is a left side view thereof; and,  
FIG. 6 is a top view thereof.  
The broken lines and unshaded surfaces within them in the  
drawings show portions of the dump trailer that form no part  
of the claimed design.

(56) **References Cited**  
U.S. PATENT DOCUMENTS  
3,158,402 A \* 11/1964 Clement ..... B60P 1/18  
298/20 R  
3,266,836 A \* 8/1966 Taylor ..... B62D 53/067  
410/54  
D231,825 S 6/1974 Daubert  
D237,064 S 10/1975 Whitney  
D249,138 S \* 8/1978 Butler ..... D12/105  
D268,572 S \* 4/1983 Johnson ..... D12/106

**1 Claim, 5 Drawing Sheets**



(56)

References Cited

U.S. PATENT DOCUMENTS

D431,498 S 10/2000 Smith et al.  
 D445,067 S 7/2001 Musso, Jr. et al.  
 6,254,192 B1 \* 7/2001 Spreitzer ..... B60P 1/16  
 298/19 R  
 6,398,140 B1 6/2002 Stieh et al.  
 6,764,130 B1 \* 7/2004 Hull ..... B60J 5/108  
 296/186.4  
 D515,464 S \* 2/2006 DeShong ..... D12/101  
 D607,380 S \* 1/2010 Lundin ..... D12/106  
 D619,933 S \* 7/2010 McIntosh ..... D12/101  
 D634,759 S \* 3/2011 Farrow ..... D15/27  
 D659,595 S \* 5/2012 Eliason ..... D12/102  
 D663,090 S \* 7/2012 Goda ..... D34/3  
 D679,338 S \* 4/2013 Ewringmann ..... D21/425  
 D695,647 S \* 12/2013 Manley ..... D12/101  
 8,876,216 B2 \* 11/2014 Stewart ..... B60P 1/08  
 298/11  
 9,308,853 B2 4/2016 Raemsch  
 D759,547 S \* 6/2016 Van Wyk ..... D12/102  
 D773,958 S 12/2016 Rike  
 10,017,091 B2 \* 7/2018 Beiler ..... B60P 1/003  
 D840,267 S 2/2019 Rike  
 D866,401 S \* 11/2019 Arter ..... D12/102  
 D867,216 S \* 11/2019 Van Wyk ..... D12/102  
 D867,218 S \* 11/2019 Arter ..... D12/102  
 D886,681 S \* 6/2020 Hickok ..... D12/102

2012/0013167 A1 \* 1/2012 Stewart ..... B60P 1/12  
 298/17.5  
 2012/0086185 A1 \* 4/2012 Kerr ..... B60P 1/28  
 280/433  
 2012/0280557 A1 \* 11/2012 Stewart ..... B60P 1/12  
 298/11  
 2015/0224906 A1 8/2015 Harrison et al.  
 2015/0375664 A1 \* 12/2015 Oldiges ..... B60P 1/26  
 298/22 R  
 2018/0215302 A1 8/2018 Reid

OTHER PUBLICATIONS

2020 Big Tex 83"×14' Dump Trailer 4' Sides, Gateway-Materials.com, [online], [site visited Jul. 2, 2020]. <URL: <https://gateway-materials.com/product/2019-big-tex-83x-14-dump-trailer-48-sides/>> (Year: 2020).\*

High Side—Low Profile—83"×14' 14K Dump Trailer, TheTrailerSource.com, [online], [site visited Jul. 2, 2020]. <URL: <https://thetrailersource.com/u-dump-pro-series-14k-dump-trailer/>> (Year: 2020).\*

Mission 7'×14' 12K Utility [Dump] Trailer #MODP7×14, BendTrailers.com, [online], [site visited Jul. 2, 2020]. <URL: <https://bendtrailers.com/mission-aluminum-7-x-14-12k-dump-trailer-modp7x14/>> (Year: 2020).\*

\* cited by examiner

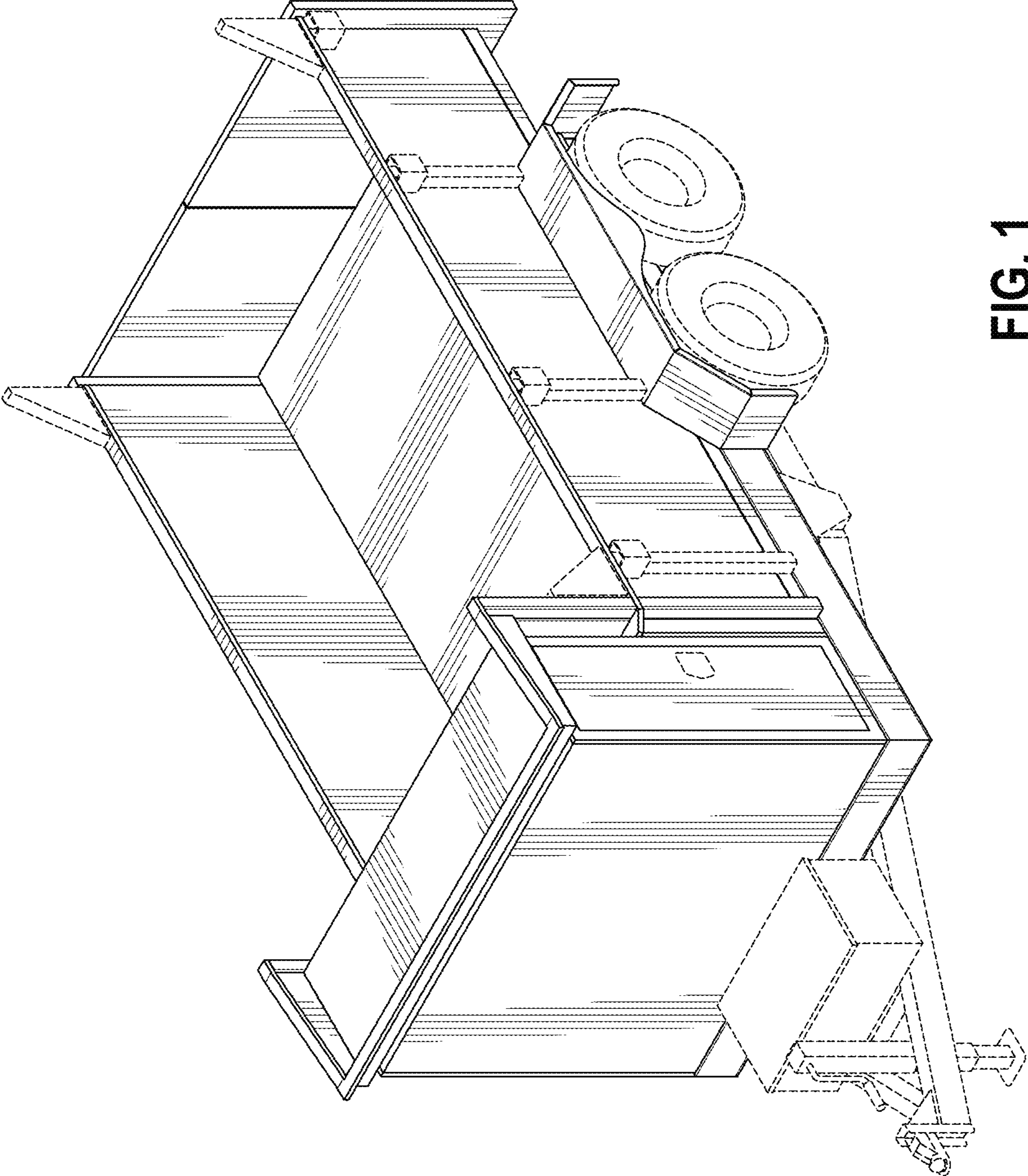


FIG. 1

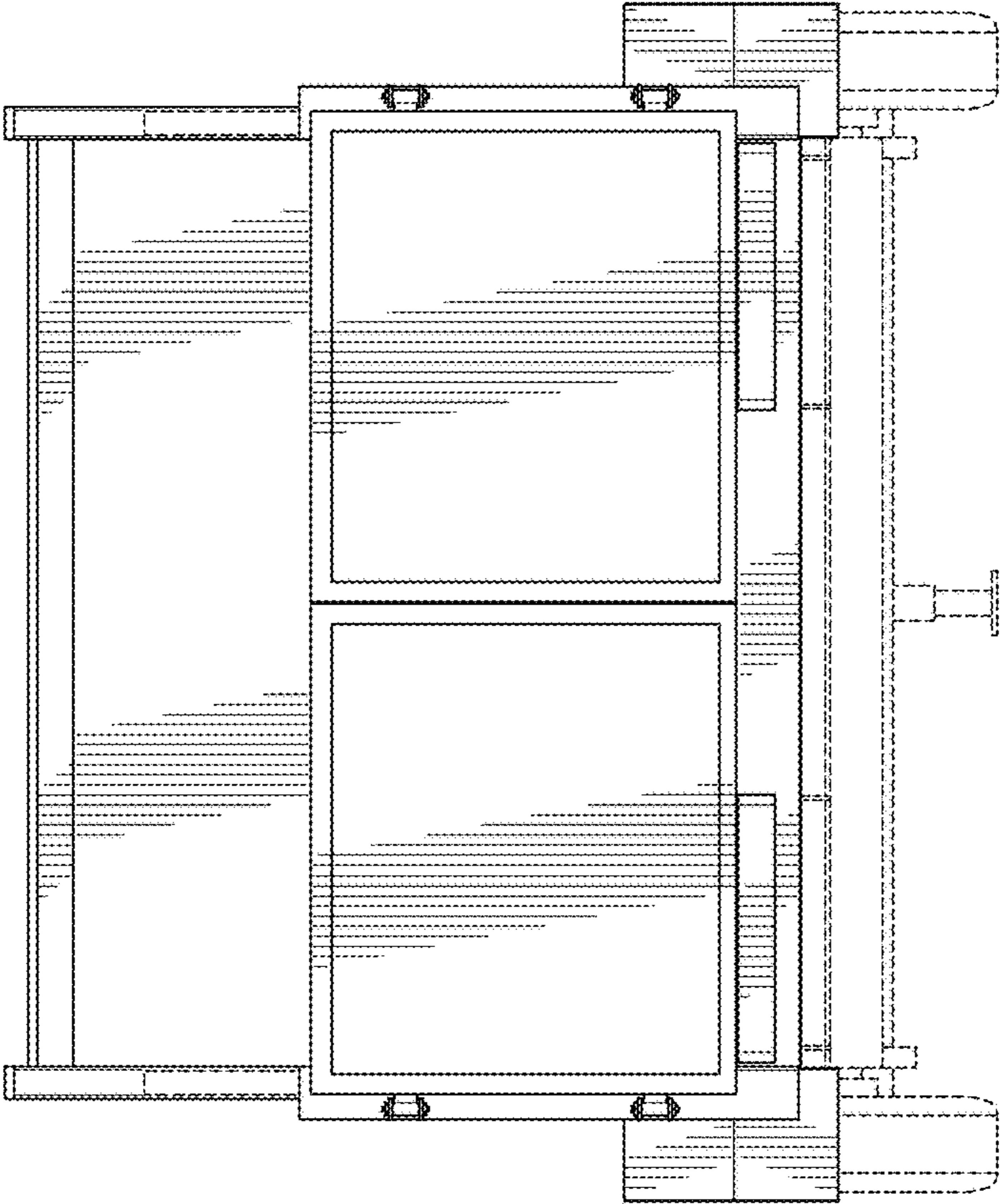


FIG. 3

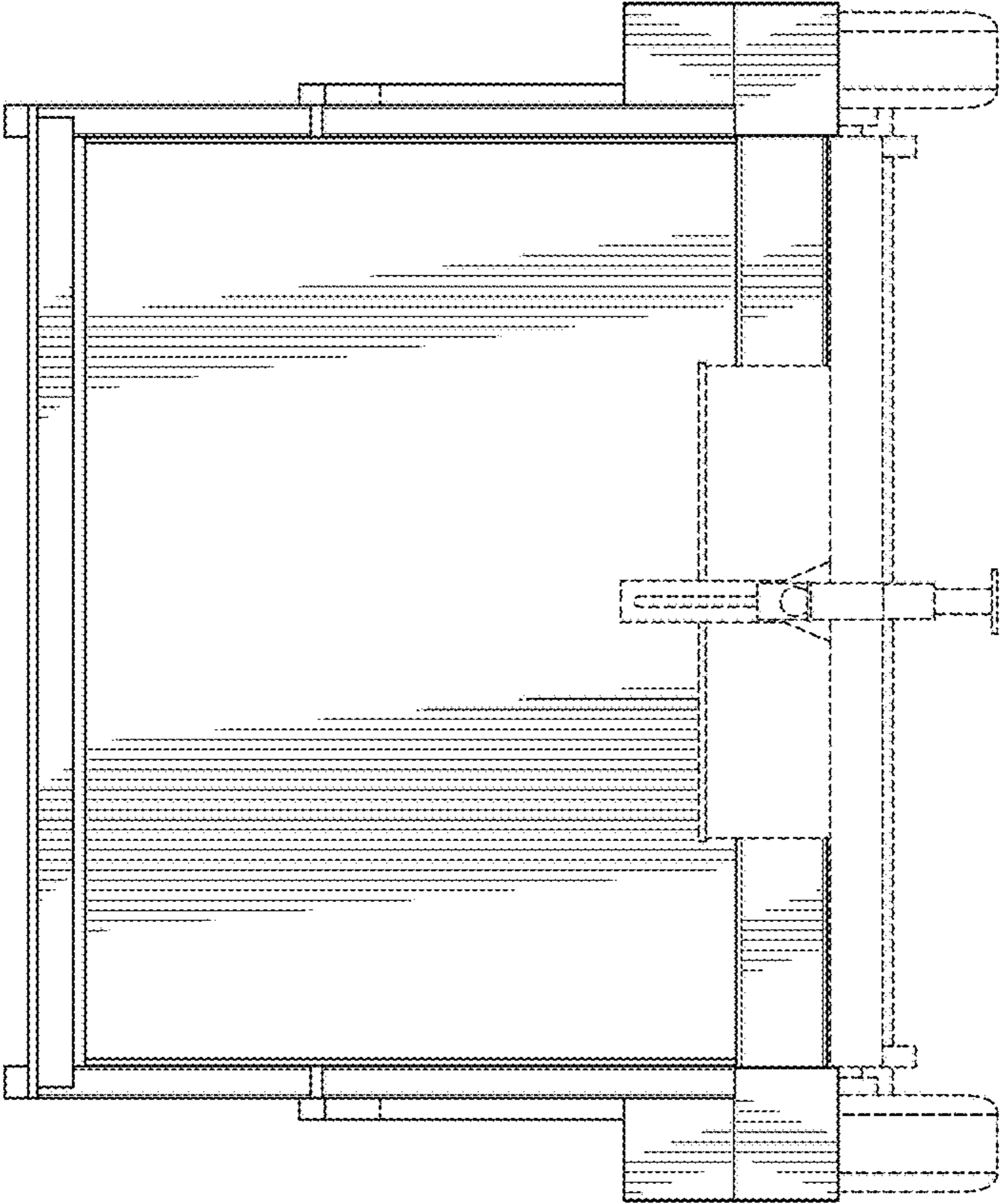


FIG. 2

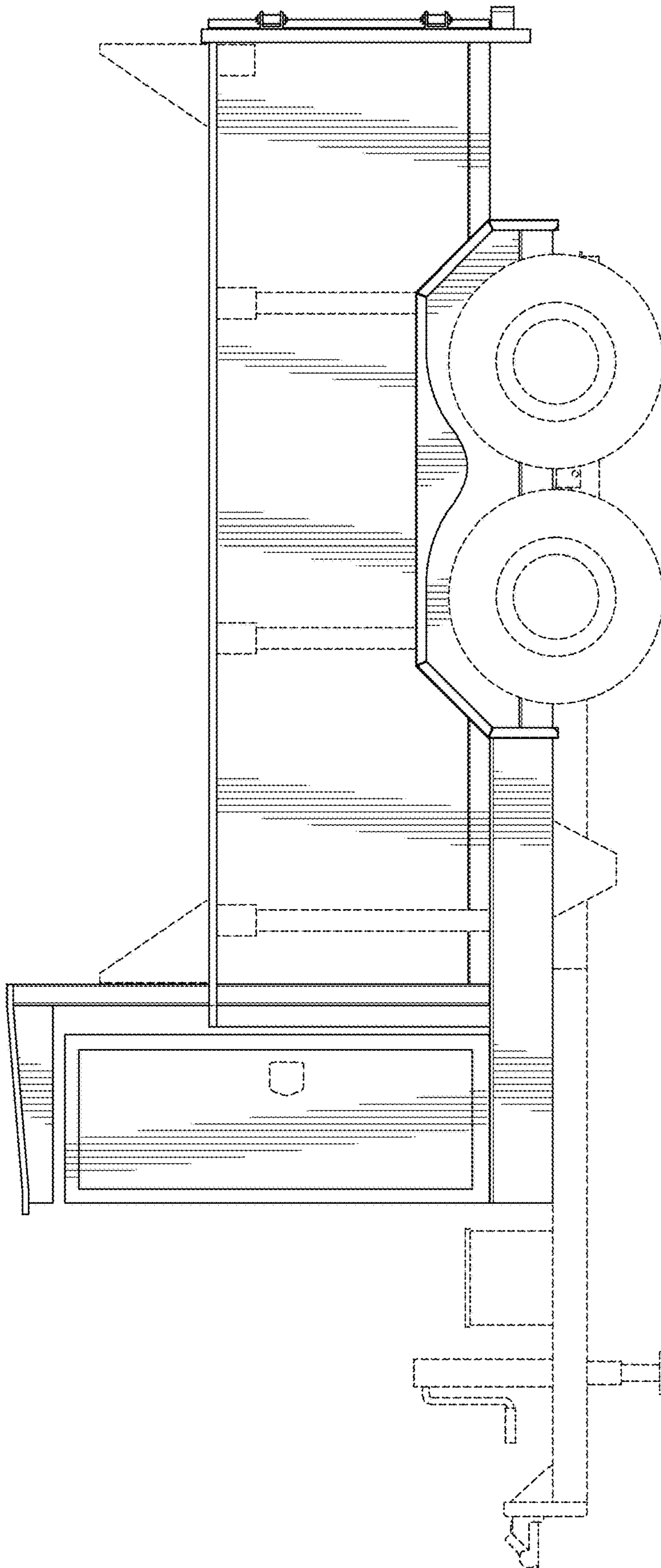


FIG. 4

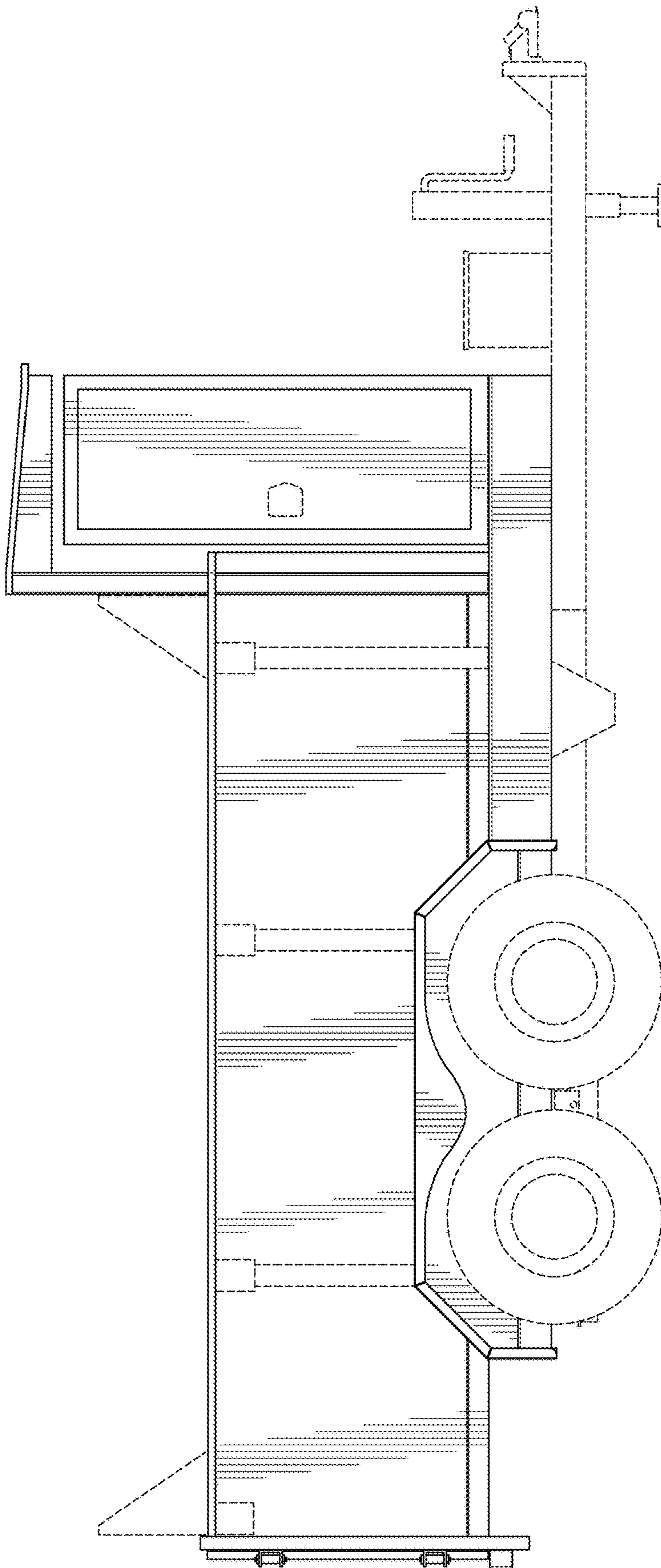


FIG. 5

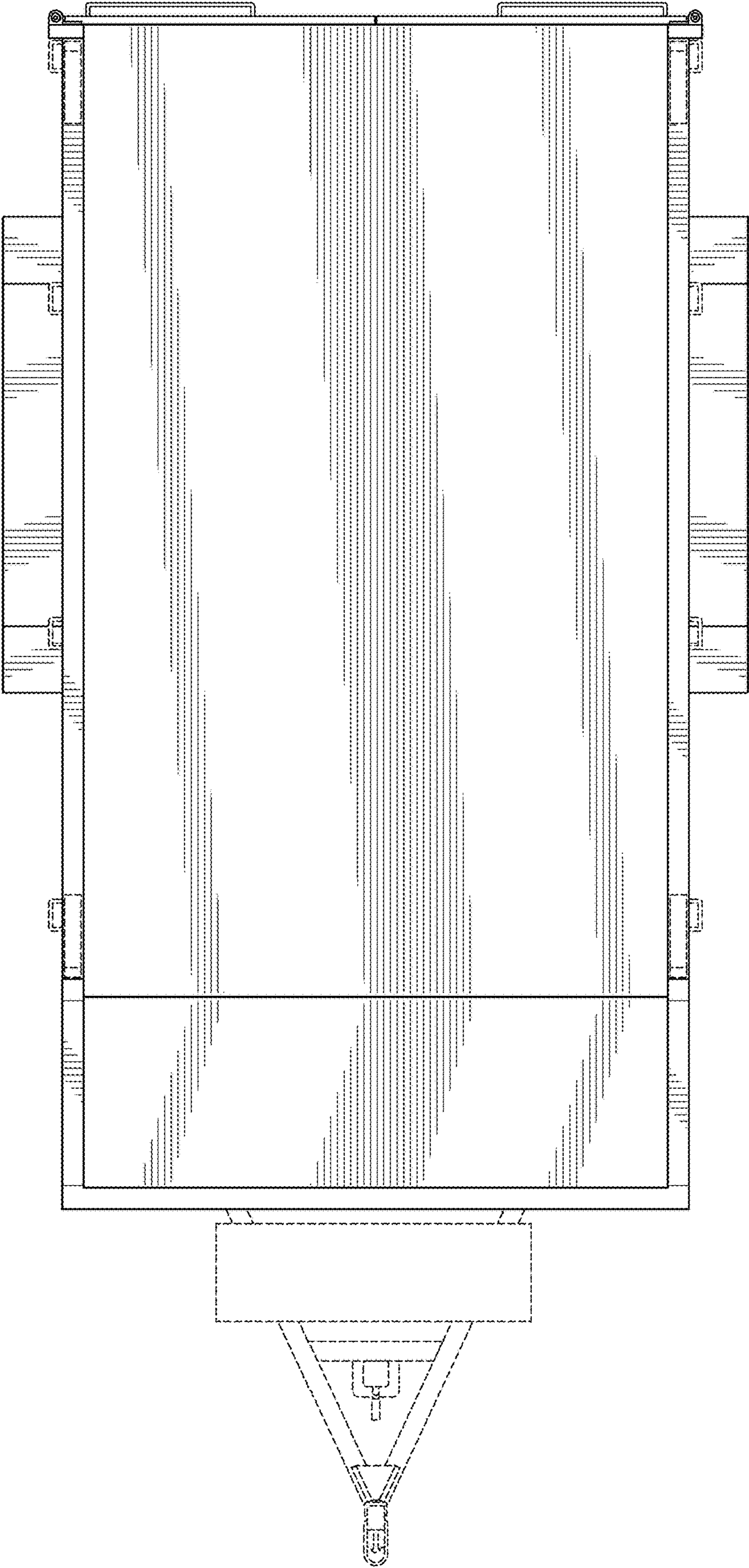


FIG. 6